



US00D528010S

(12) **United States Design Patent**
Yashima et al.

(10) **Patent No.:** **US D528,010 S**
(45) **Date of Patent:** **** Sep. 12, 2006**

(54) **PACKAGING BAG**

(75) Inventors: **Hiroshi Yashima**, Utsunomiya (JP);
Tomoaki Shimazu, Yachiyo (JP)

(73) Assignee: **Kao Corporation**, Tokyo (JP)

(**) Term: **14 Years**

(21) Appl. No.: **29/214,477**

(22) Filed: **Oct. 5, 2004**

(30) **Foreign Application Priority Data**

Apr. 14, 2004	(JP)	2004-011470
Apr. 14, 2004	(JP)	2004-011471
Apr. 14, 2004	(JP)	2004-011472
Apr. 14, 2004	(JP)	2004-011473
Apr. 14, 2004	(JP)	2004-011474

(51) **LOC (8) Cl.** **09-05**

(52) **U.S. Cl.** **D9/702**

(58) **Field of Classification Search** D9/702-710,
D9/713-714, 720, 722, 711; D28/118, 207,
D28/224; 383/61.2, 104, 200
See application file for complete search history.

(56) **References Cited**

U.S. PATENT DOCUMENTS

2,619,801	A	*	12/1952	Evans	62/530
3,462,067	A	*	8/1969	Shore	383/104
3,508,374	A	*	4/1970	Bertoglio	53/410
D349,451	S	*	8/1994	Sagnard	D9/703
5,758,473	A	*	6/1998	Patelli	53/412
6,213,645	B1	*	4/2001	Beer	383/211
6,461,043	B1	*	10/2002	Healy et al.	383/204

(Continued)

Primary Examiner—Stella Reid
Assistant Examiner—Rashida C. McCoy
(74) *Attorney, Agent, or Firm*—Oblon, Spivak, McClelland,
Maier & Neustadt, P.C.

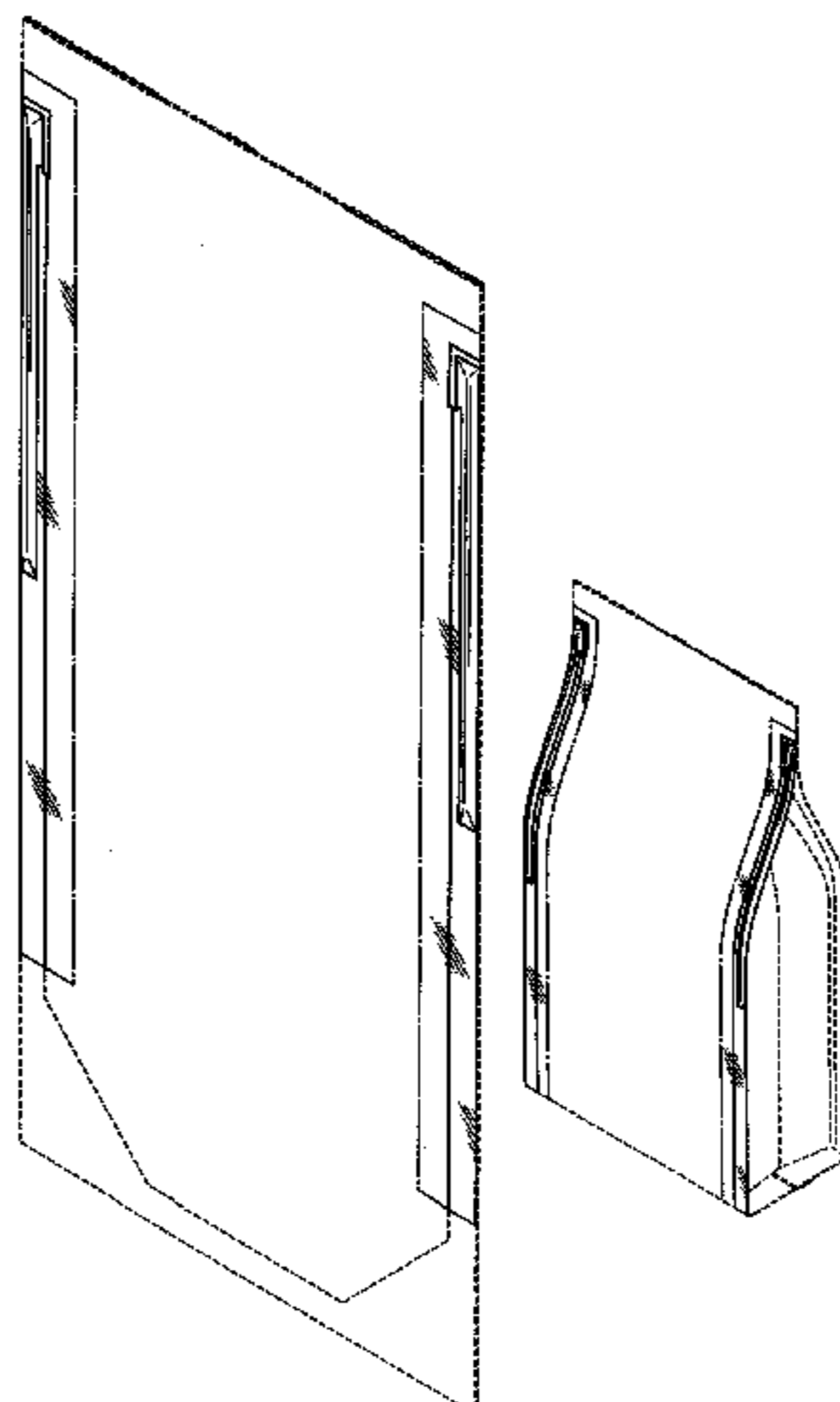
(57) **CLAIM**

An ornamental design for a packaging bag, as shown and described.

DESCRIPTION

FIG. 1 is a perspective view of a first packaging bag;
FIG. 2 is a front view thereof;
FIG. 3 is a left side view thereof;
FIG. 4 is a right side view thereof;
FIG. 5 is a top plan view thereof;
FIG. 6 is a bottom view thereof;
FIG. 7 is an enlarged top plan view thereof;
FIG. 8 is a sectional view taken along line 8—8 thereof;
FIG. 9 is an enlarged sectional view taken along line 9—9 thereof;
FIG. 10 is a perspective view thereof in use;
FIG. 11 is a perspective view of a second embodiment of the packaging bag;
FIG. 12 is a front view thereof;
FIG. 13 is a left side view thereof;
FIG. 14 is a right side view thereof;
FIG. 15 is a top plan view thereof;
FIG. 16 is a bottom view thereof;
FIG. 17 is a sectional view taken along line 17—17 thereof;
FIG. 18 is an enlarged sectional view taken along line 18—18 thereof;
FIG. 19 is a perspective view thereof in use;
FIG. 20 is a perspective view of a third embodiment of the packaging bag;
FIG. 21 is a front view thereof;
FIG. 22 is a left side view thereof;
FIG. 23 is a right side view thereof;
FIG. 24 is a top plan view thereof;
FIG. 25 is a bottom view thereof;
FIG. 26 is a sectional view taken along line 35—35 thereof;
FIG. 27 is an enlarged sectional view taken along line 36—36 thereof; and,
FIG. 28 is a perspective view thereof in use.
The broken lines shown in the views are for illustrative purpose only and form no part of claimed design. The lines consisting of long lines and dots indicate the conceptual border lines between the claimed portions and the remaining portion.

1 Claim, 12 Drawing Sheets



US D528,010 S

Page 2

U.S. PATENT DOCUMENTS

6,533,456 B1 *	3/2003	Buchman	383/63	D504,622 S *	5/2005	Takahashi et al.	D9/707
6,743,492 B1 *	6/2004	Bray et al.	428/35.2	2004/0013325 A1 *	1/2004	Cook	383/104
D501,134 S *	1/2005	Takahashi et al.	D9/703	2004/0234175 A1	11/2004	Takita et al.	

* cited by examiner

Fig.1

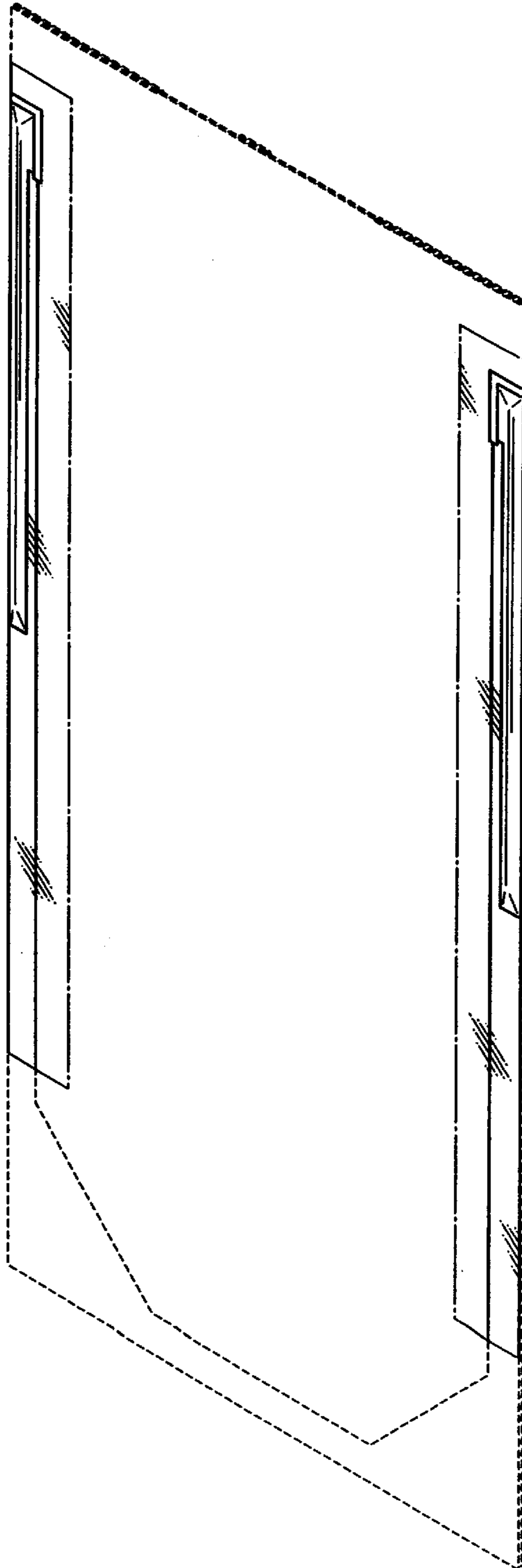


Fig.2

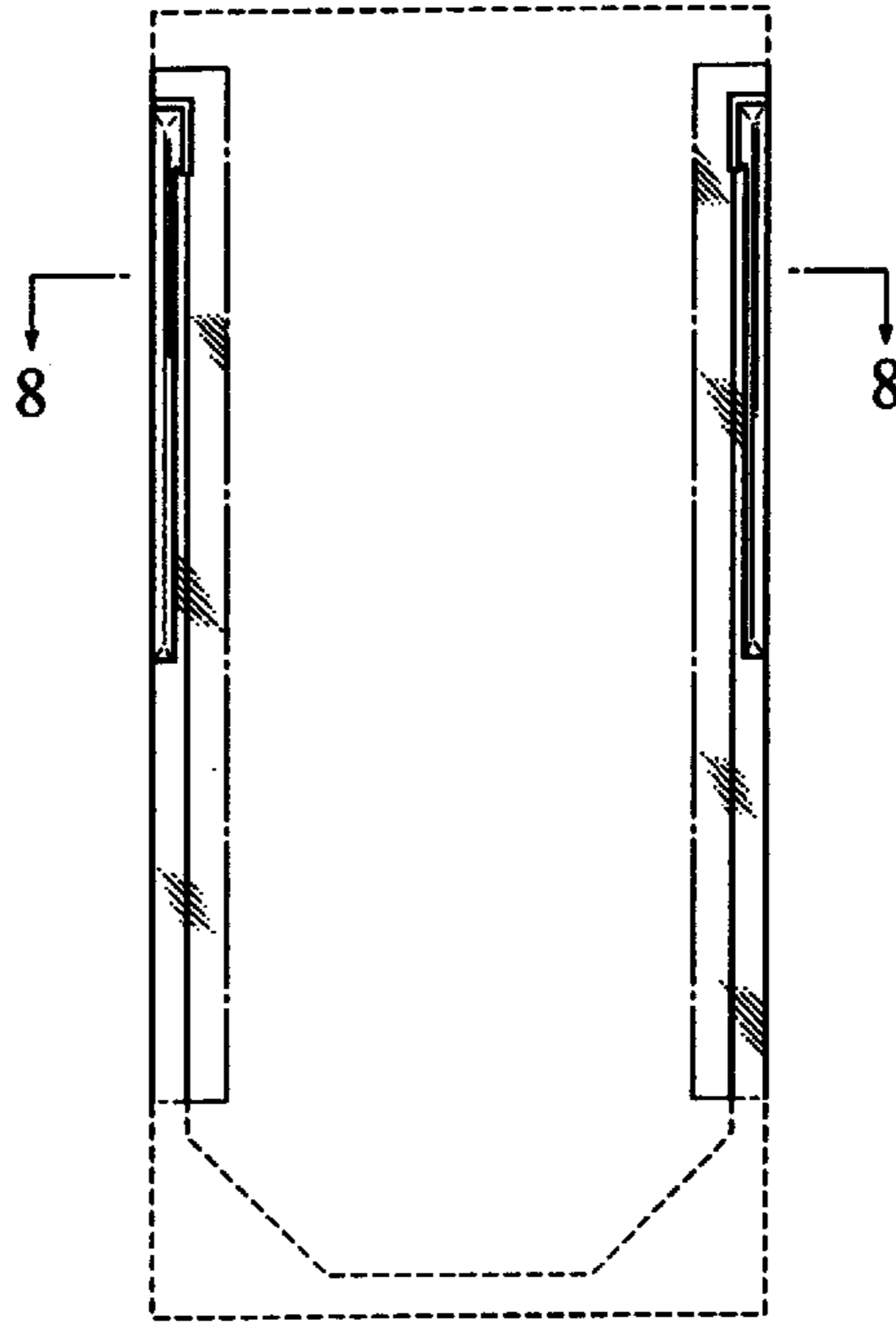


Fig.3



Fig.4



Fig.5



Fig.6



Fig.7



Fig.8

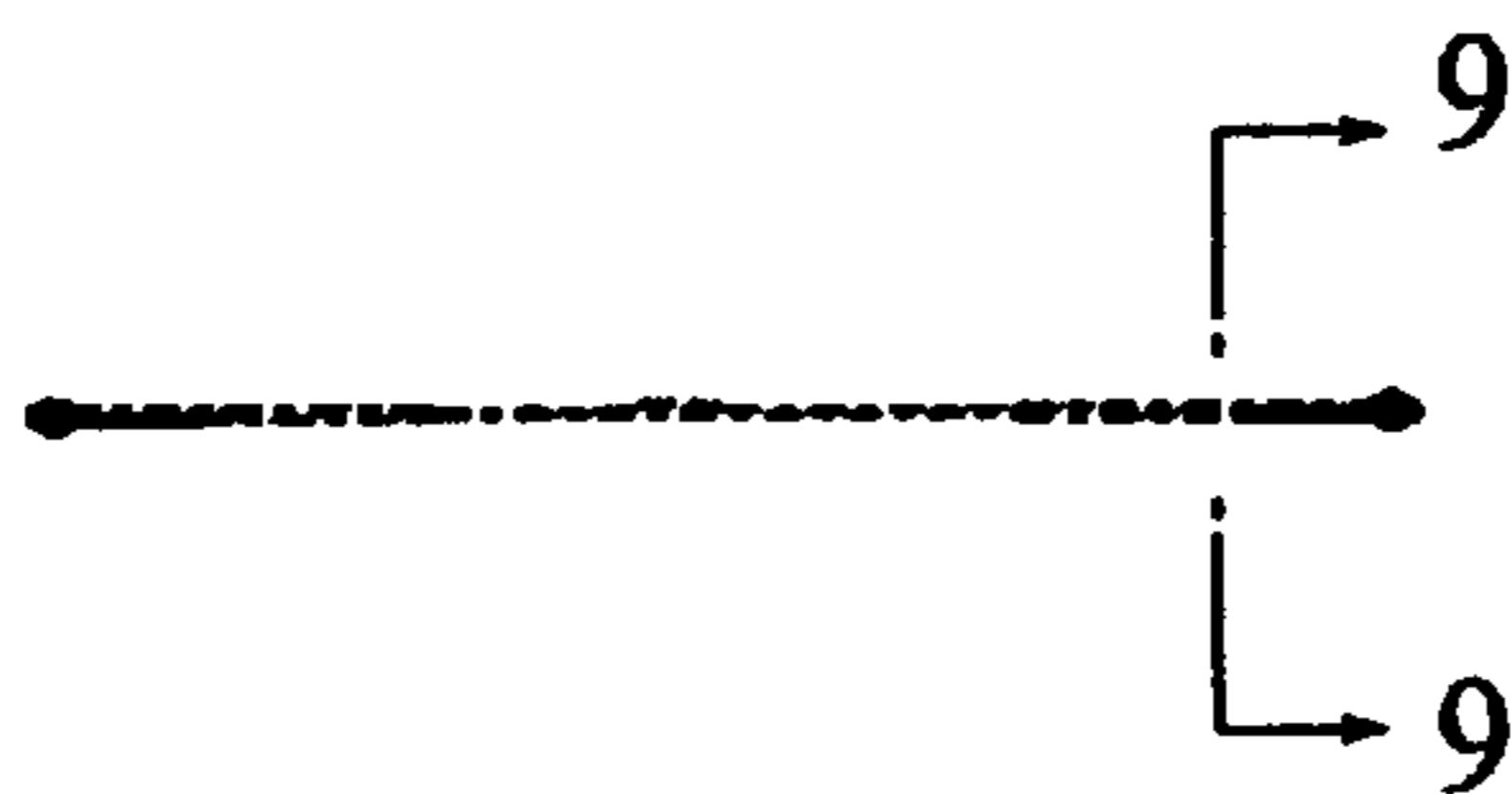


Fig.9

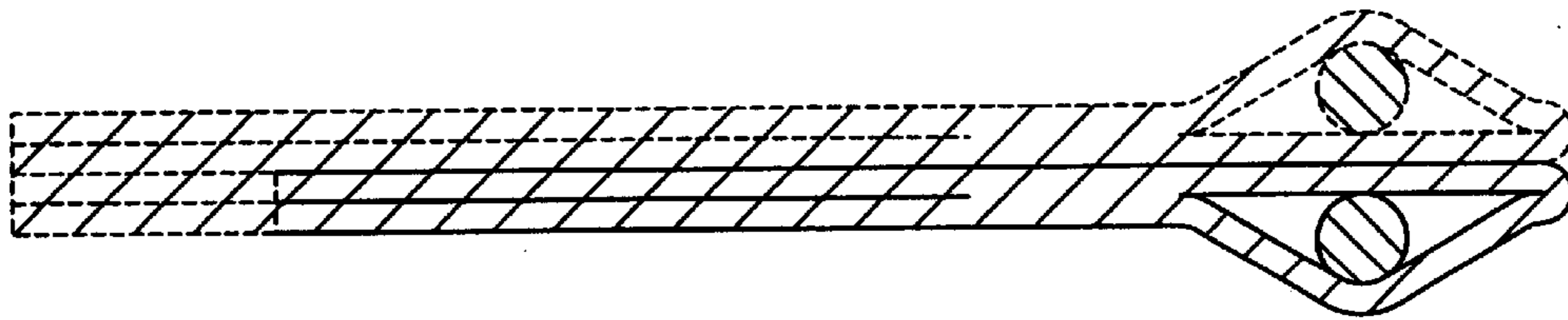


Fig.10

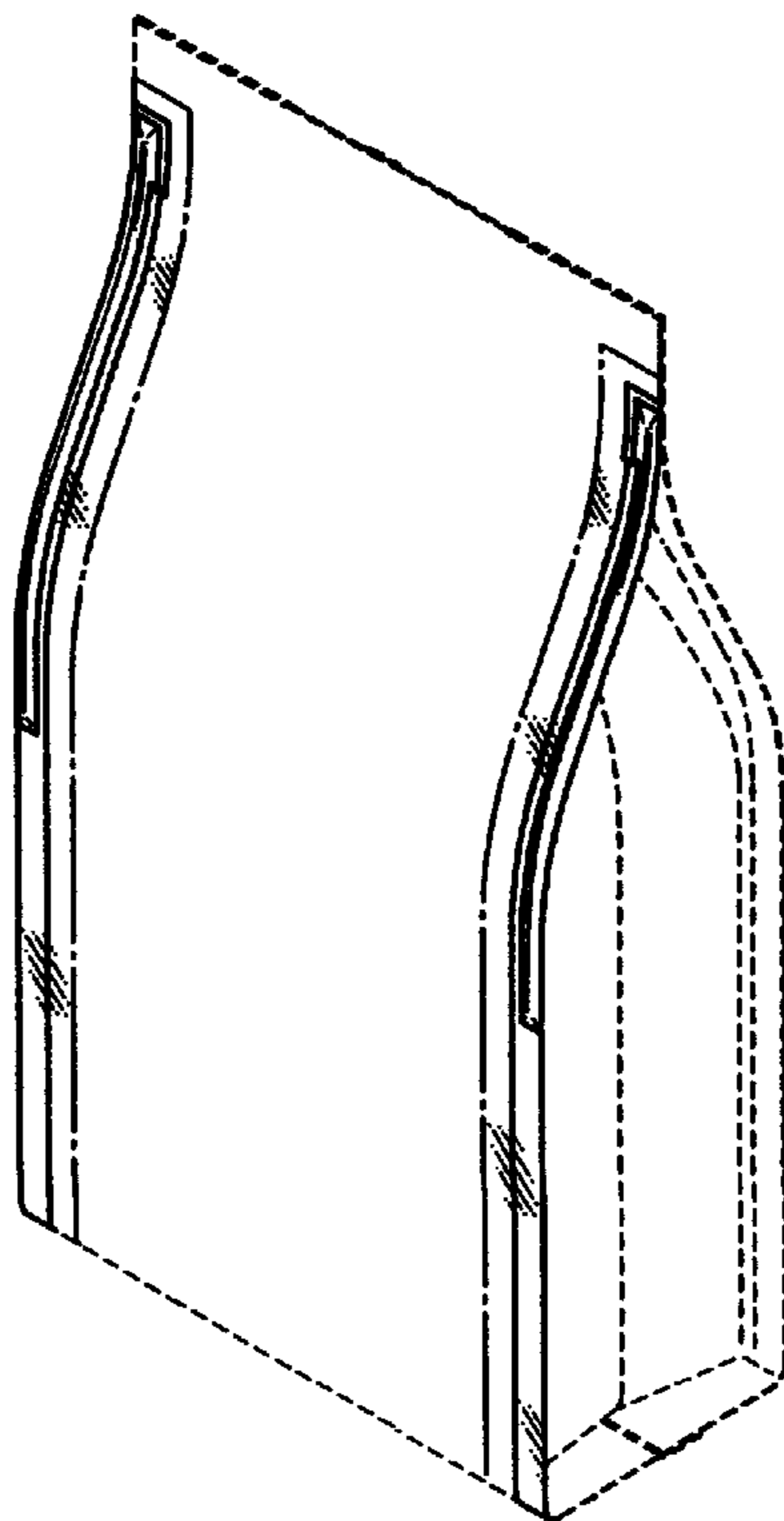


Fig.11

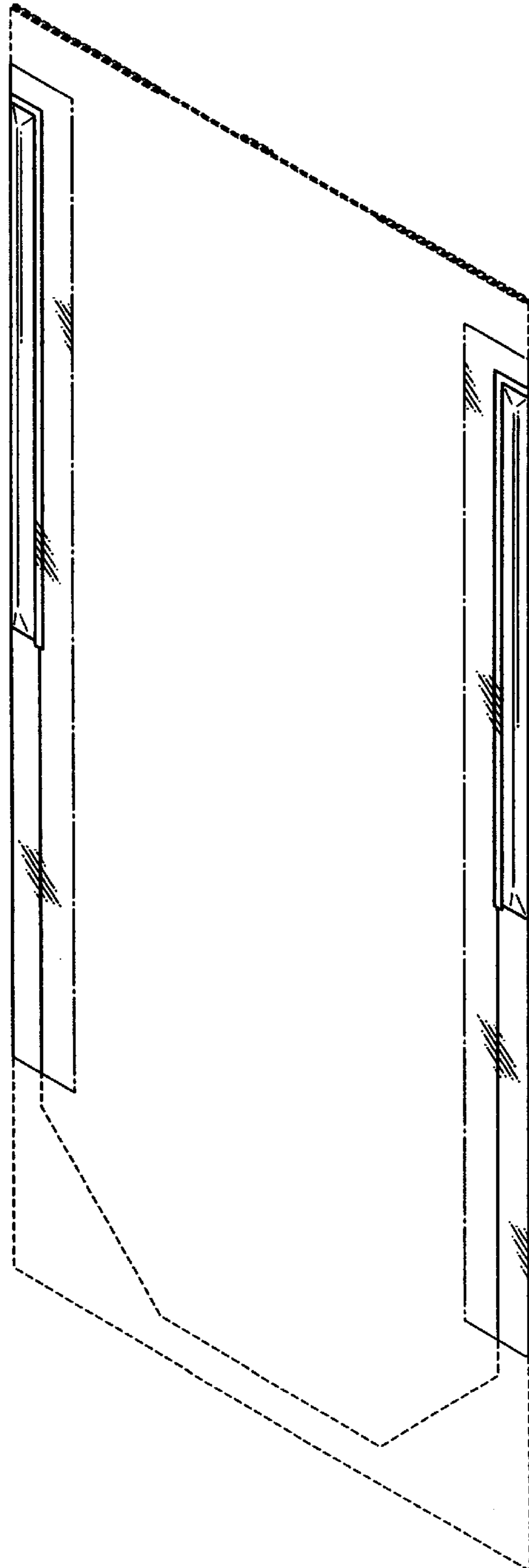


Fig.12

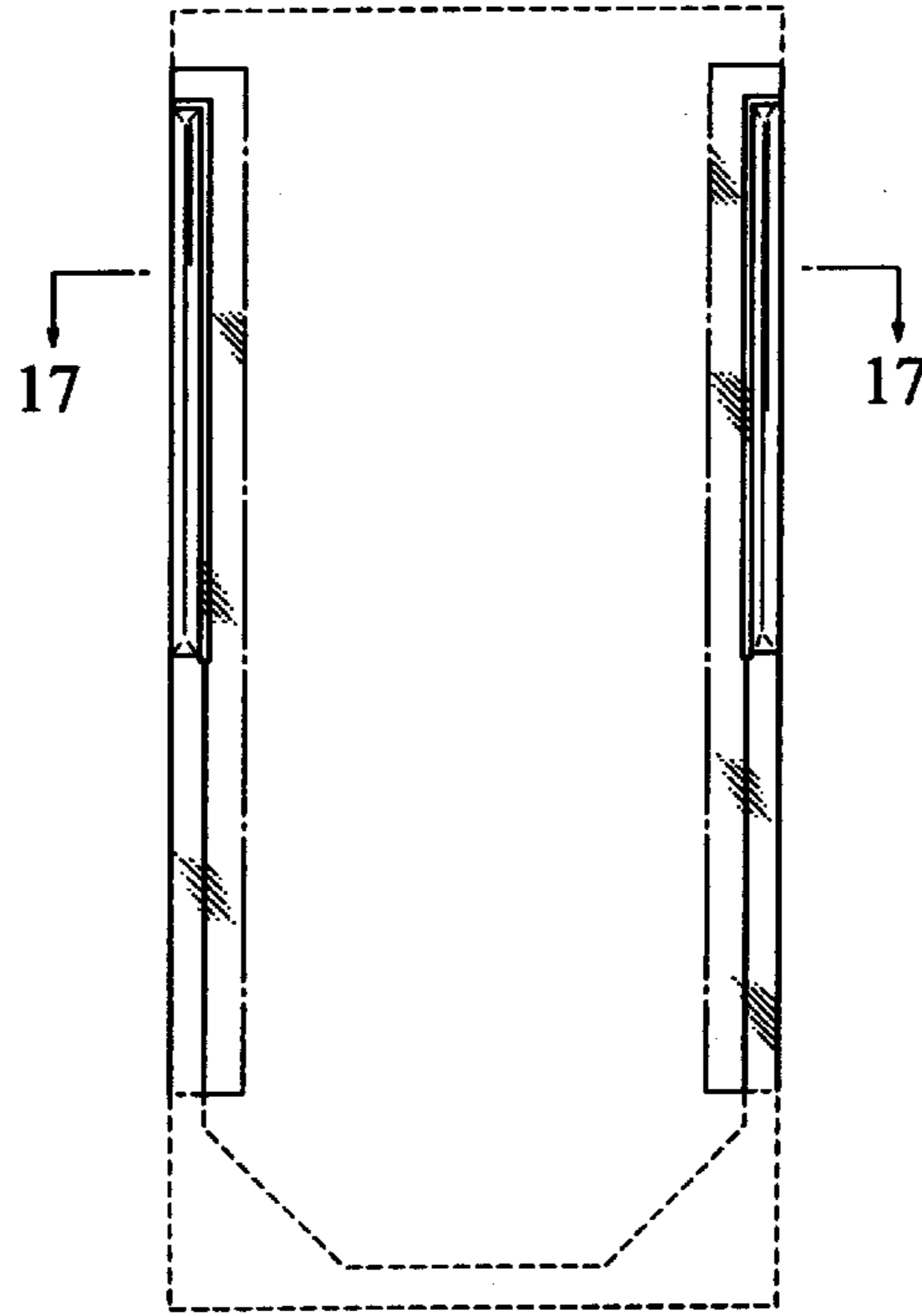


Fig.13



Fig.14



Fig.15



Fig.16



Fig.17

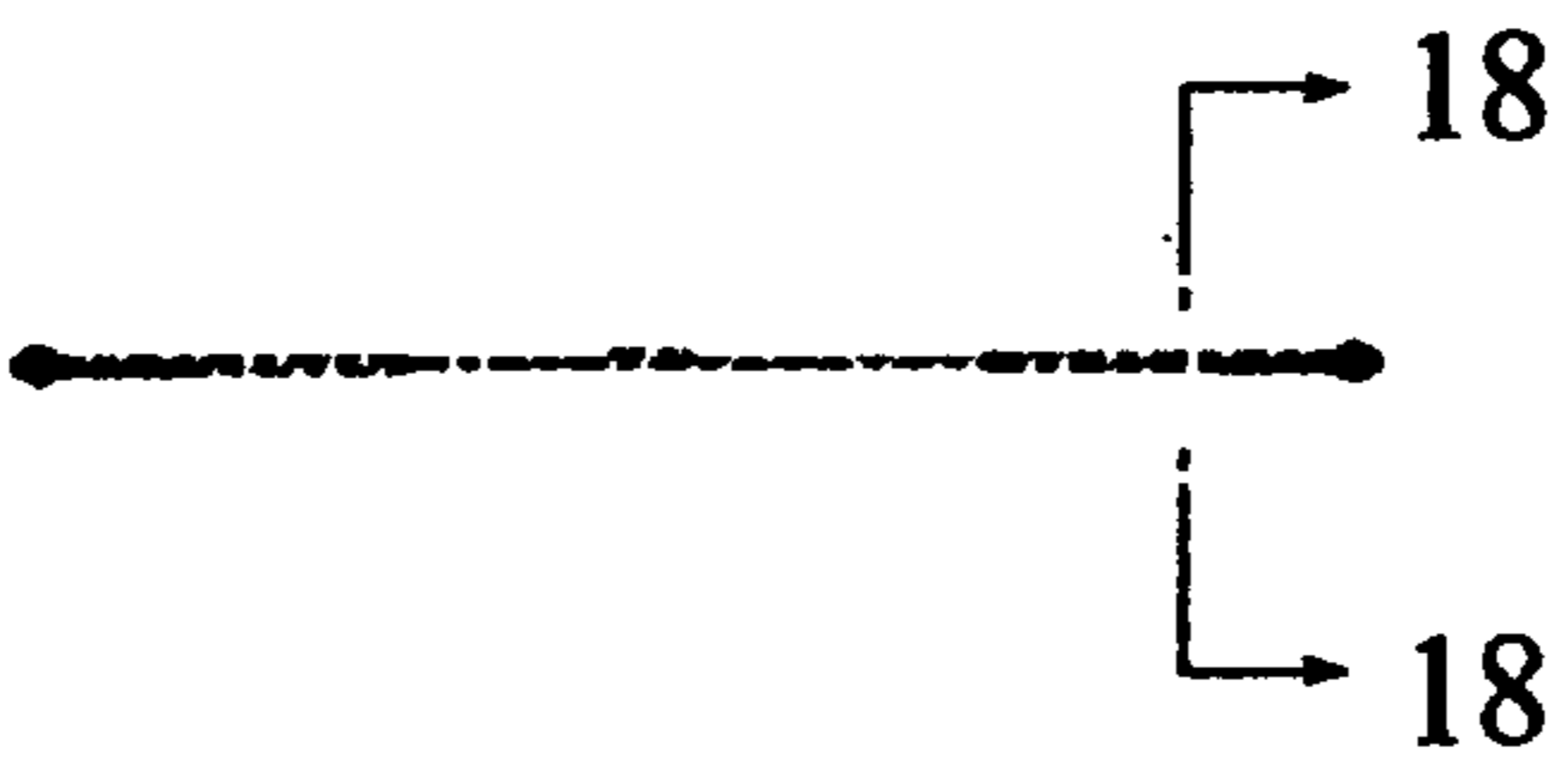


Fig.18

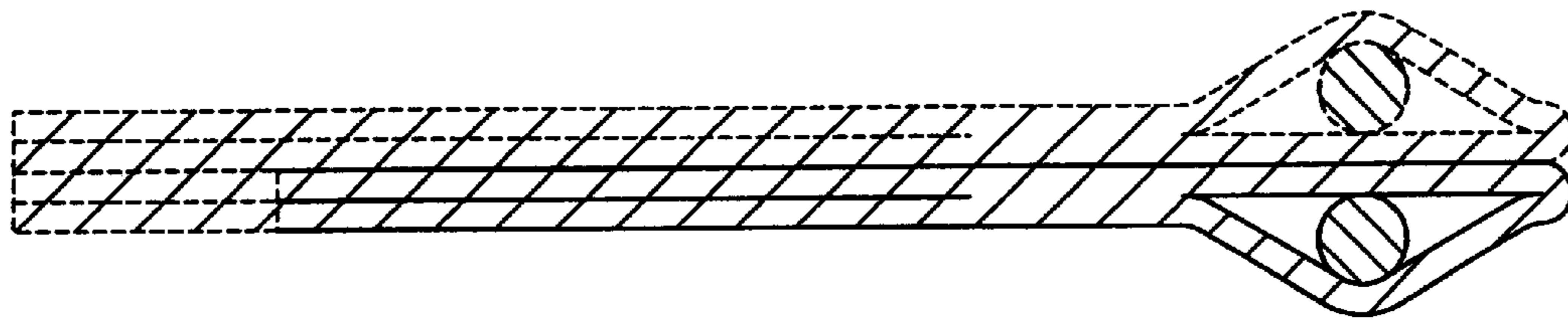


Fig.19

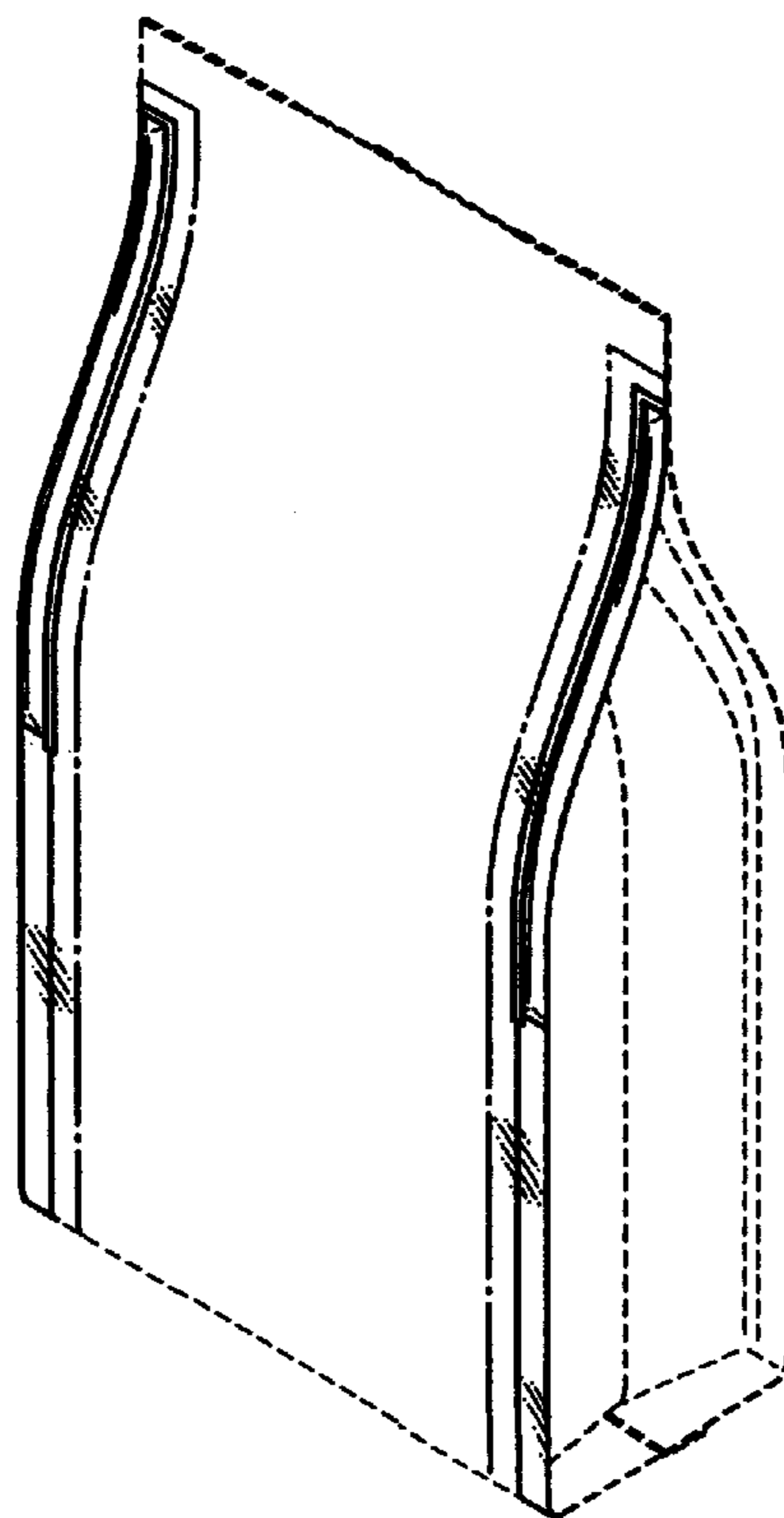


Fig. 20

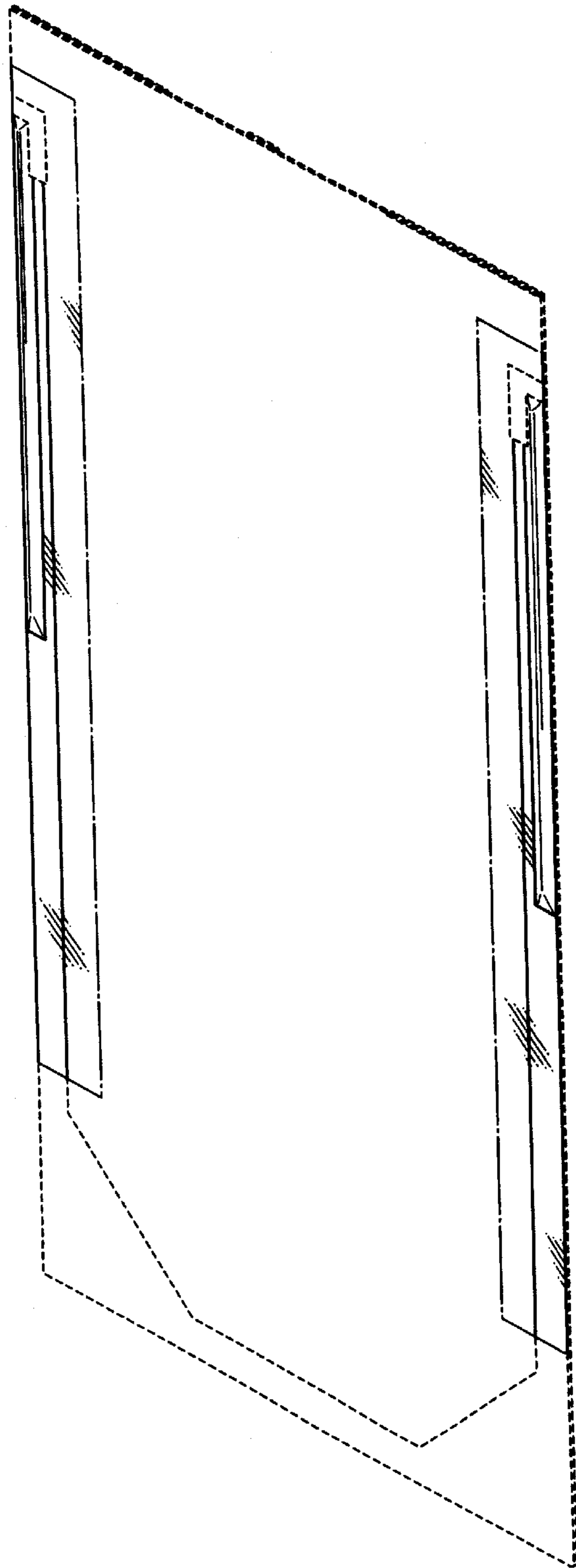


Fig. 21

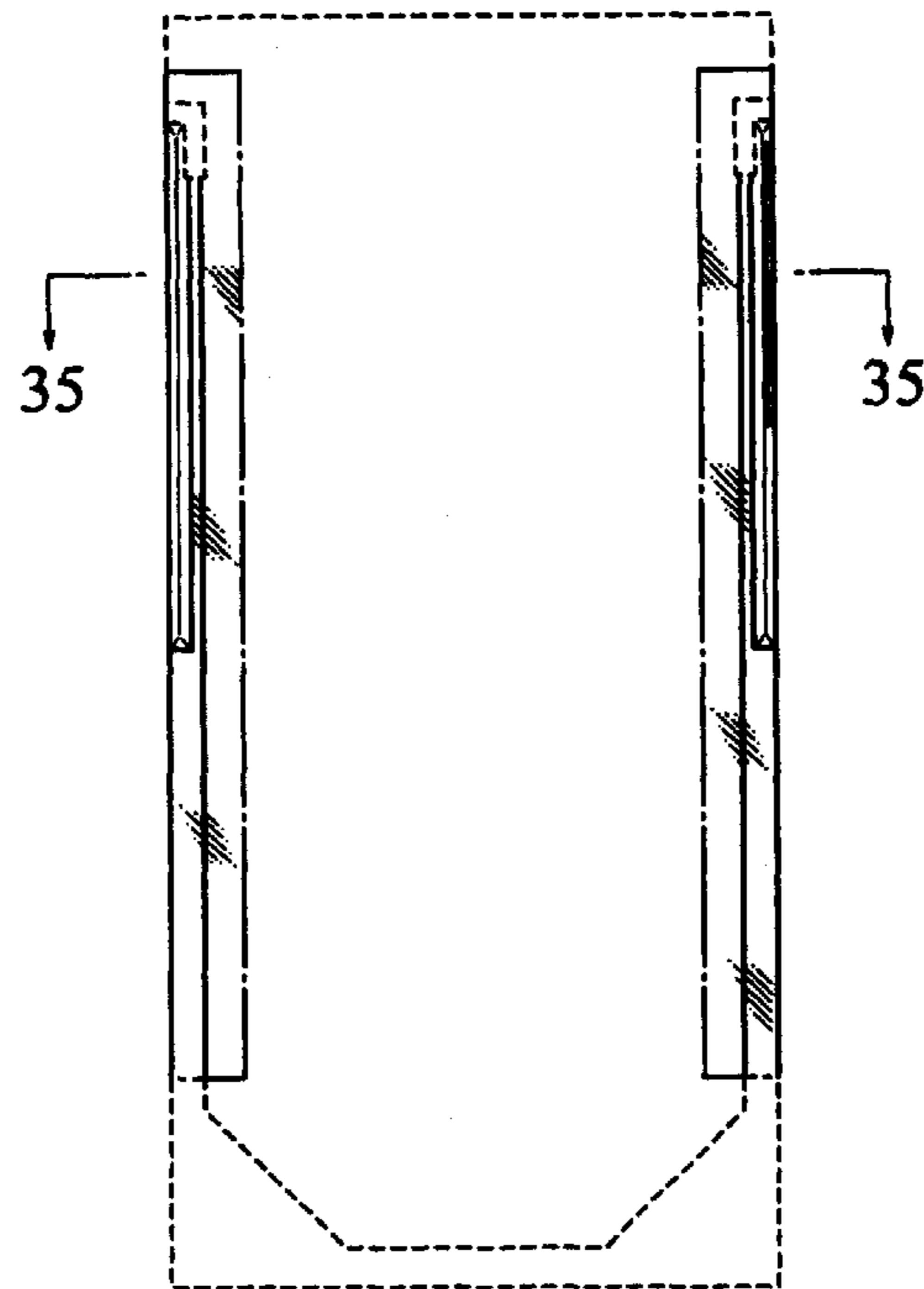


Fig. 22



Fig. 23



Fig. 24



Fig. 25



Fig. 26

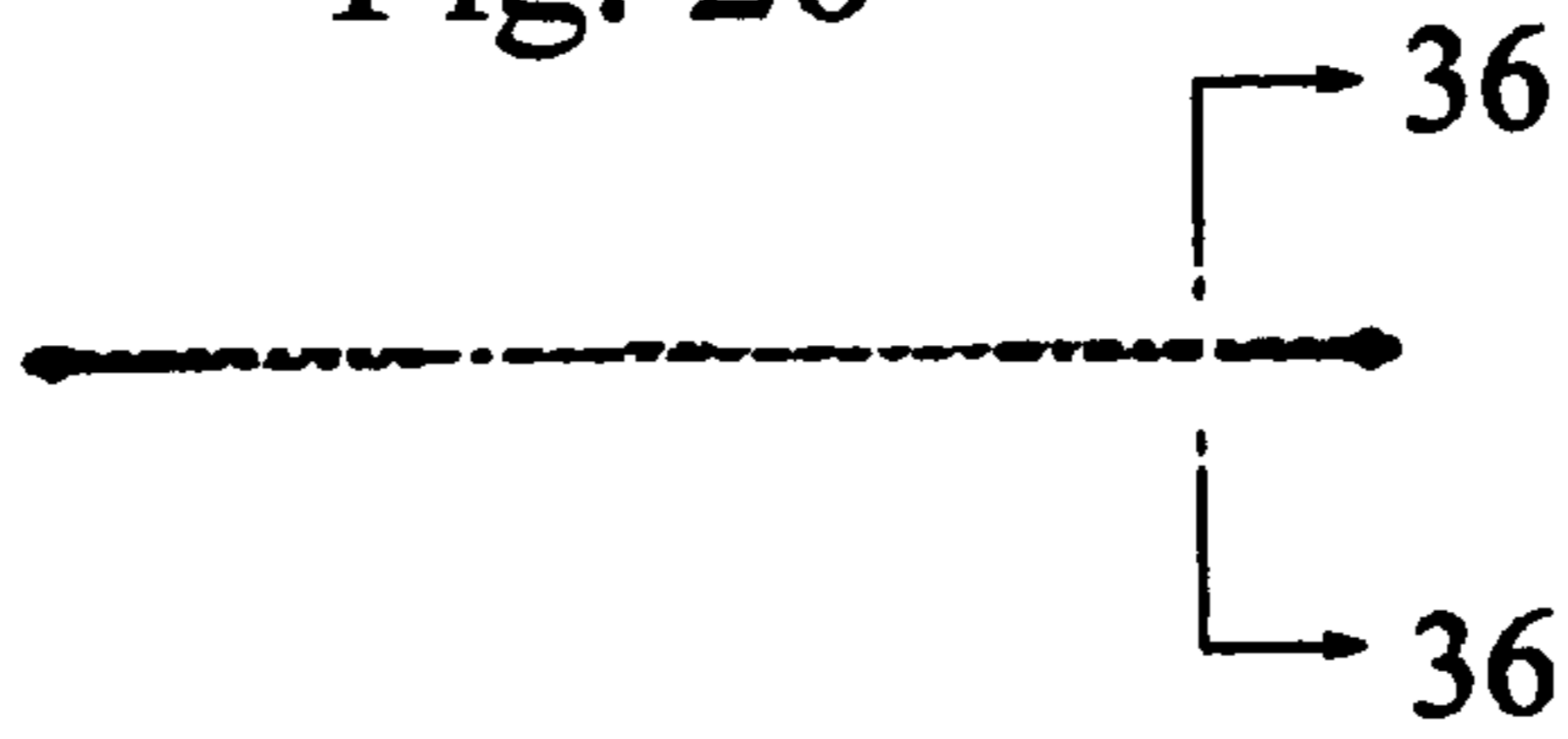


Fig. 27

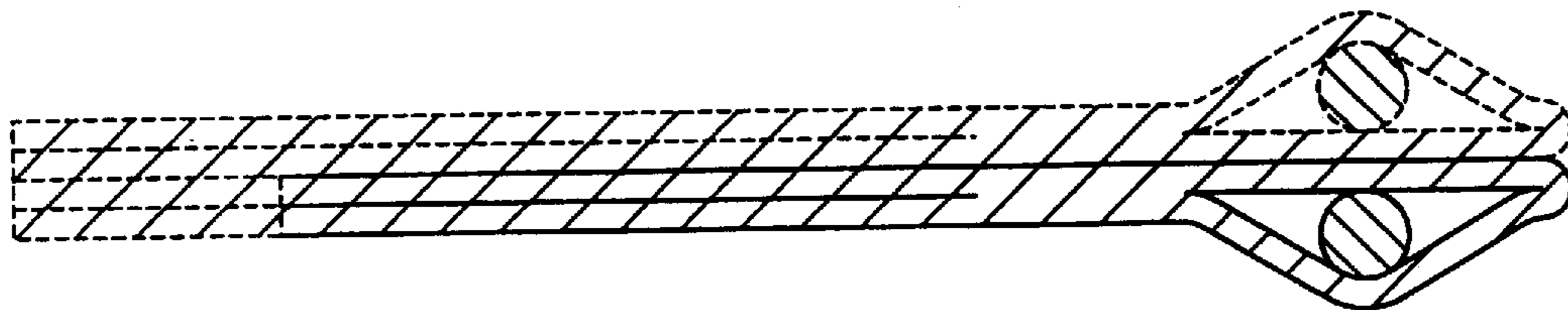


Fig. 28

