

US00D528008S

(12) **United States Design Patent**
Lovelace, Jr. et al.

(10) **Patent No.: US D528,008 S**

(45) **Date of Patent: ** Sep. 12, 2006**

(54) **PLASTIC CONTAINER**

(75) Inventors: **Richard A. Lovelace, Jr.**, Akron, OH
(US); **Richard C. Darr**, Medina, OH
(US); **James J. Miller**, Barberton, OH
(US)

(73) Assignee: **Plastipak Packaging, Inc.**, Plymouth,
MI (US)

(**) Term: **14 Years**

(21) Appl. No.: **29/231,975**

(22) Filed: **Jun. 13, 2005**

(51) **LOC (8) Cl.** **09-01**

(52) **U.S. Cl.** **D9/560; D9/565; D9/569;**
D9/570

(58) **Field of Classification Search** **D9/684,**
D9/738-747, 516, 523, 526, 528, 530-531,
D9/534, 541-543, 551-553, 559, 560, 562-567,
D9/569-575; 215/10, 381-384

See application file for complete search history.

(56) **References Cited**

U.S. PATENT DOCUMENTS

D201,580 S * 7/1965 Dike D9/560
3,397,724 A * 8/1968 Bolen et al. 215/382 X
D324,650 S * 3/1992 Larson D9/531

D341,314 S * 11/1993 Charbonneau et al. ... D9/533 X
D344,024 S * 2/1994 Charbonneau et al. ... D9/524 X
D386,088 S * 11/1997 Satoh D9/552 X
D400,794 S * 11/1998 Takeuchi et al. D9/570 X
D403,243 S * 12/1998 Takeuchi et al. D9/556 X
D445,695 S * 7/2001 Ogg D9/550
6,581,794 B1 * 6/2003 Boukobza 215/383
6,932,228 B1 * 8/2005 Darr et al. 215/10
2005/0082251 A1 * 4/2005 Darr et al. 215/382 X
2005/0211662 A1 * 9/2005 Eaton et al. 215/384

* cited by examiner

Primary Examiner—Carol Rademaker

(74) *Attorney, Agent, or Firm*—Robert H. Bachman

(57) **CLAIM**

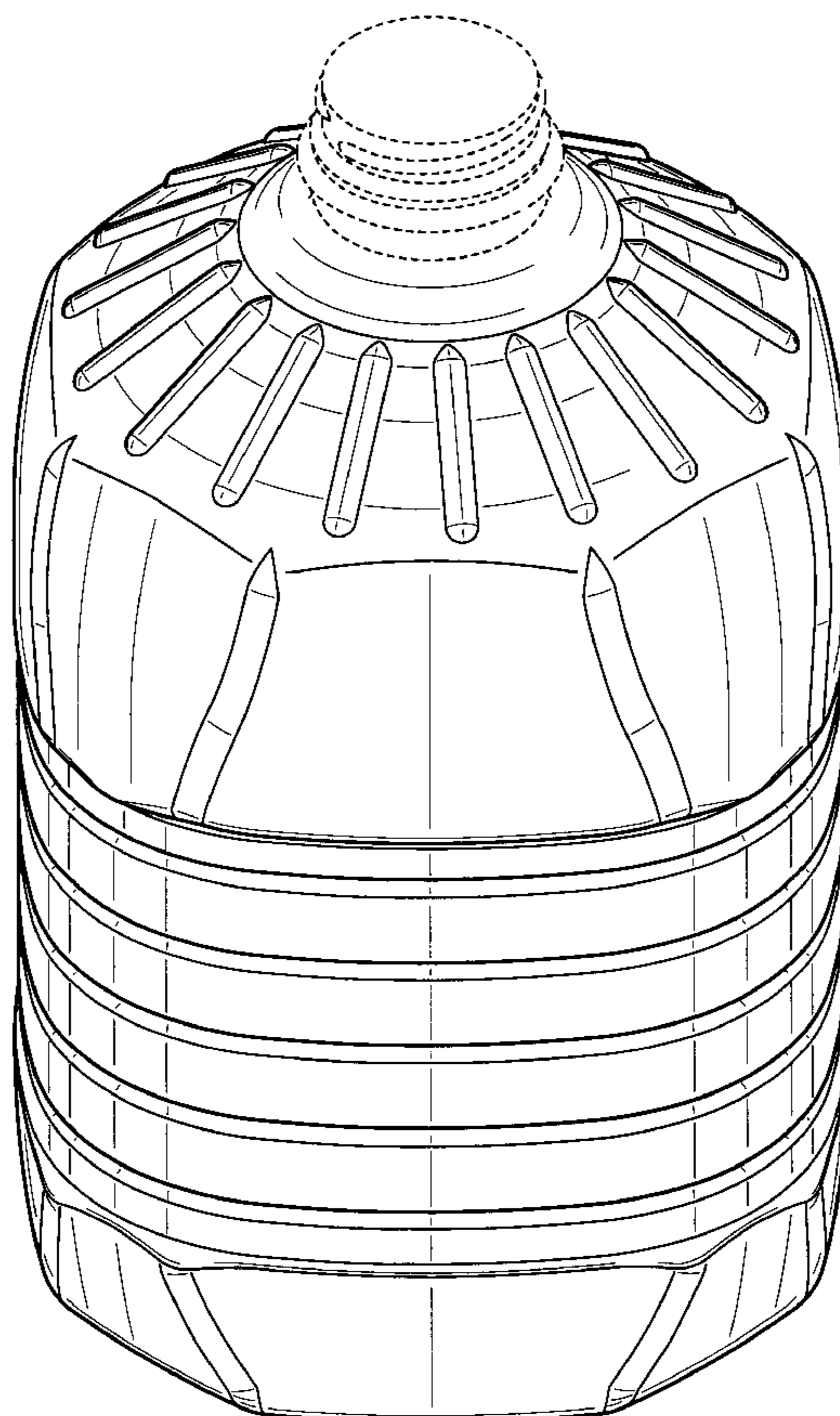
The ornamental design for a plastic container, as shown and described.

DESCRIPTION

FIG. 1 is a perspective view of the plastic container showing our new design as seen from the top, front; FIG. 2 is a rear elevational view thereof; FIG. 3 is a side elevational view thereof; FIG. 4 is a top plan view thereof; and, FIG. 5 is a bottom plan view thereof.

The broken lines in the drawings are for environmental purposes only and form no part of the claimed design.

1 Claim, 4 Drawing Sheets



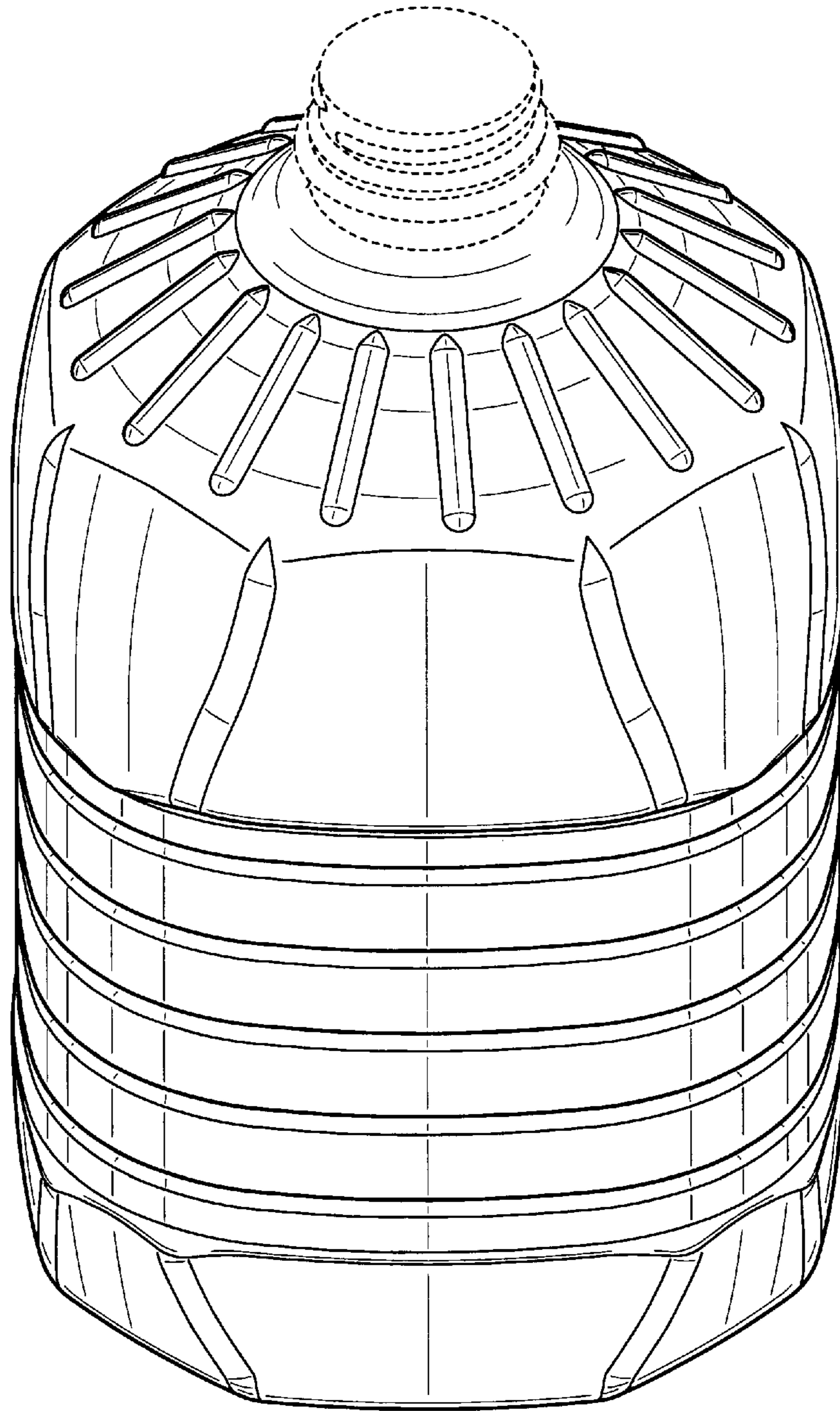


FIG. 1

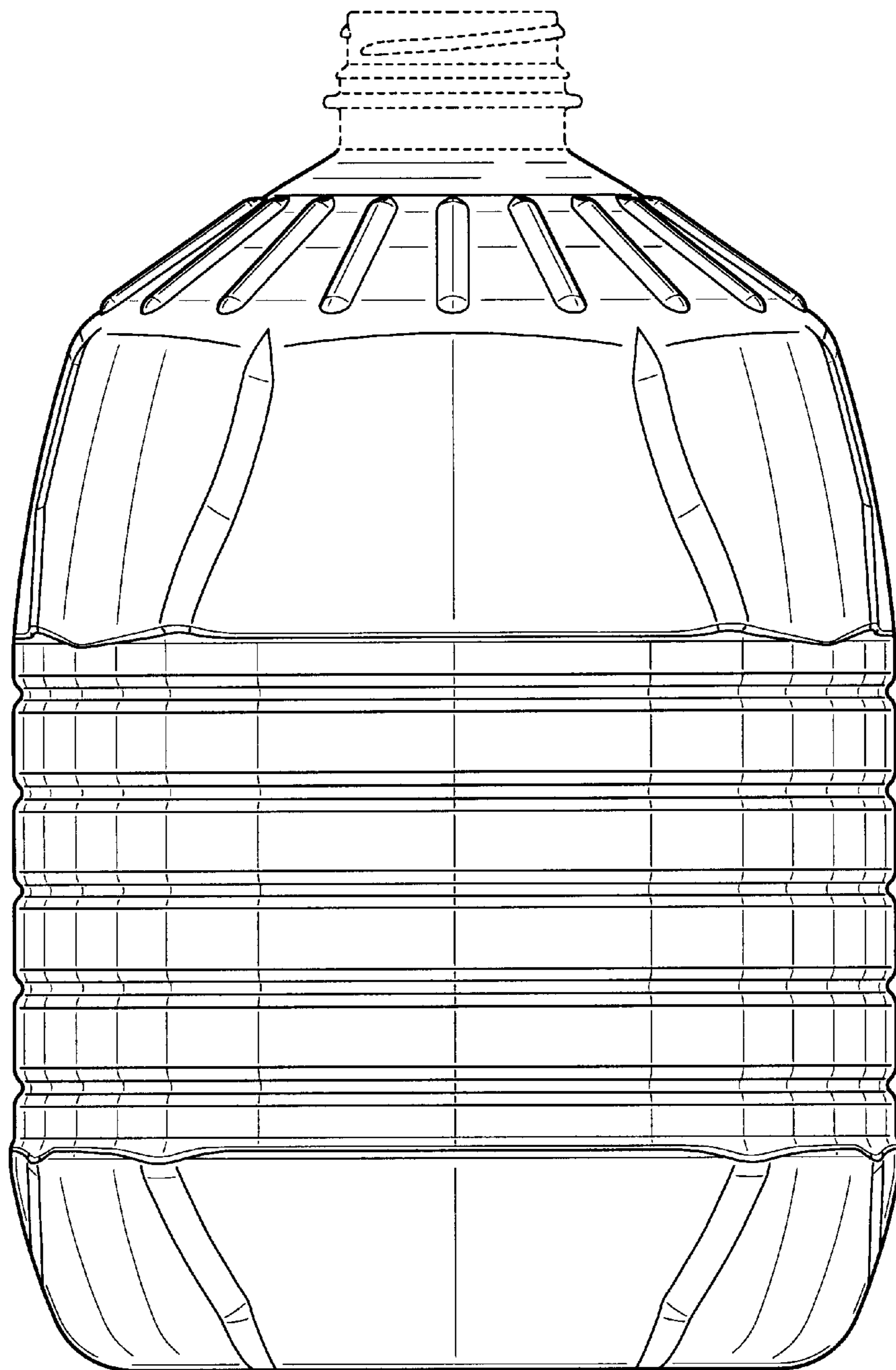


FIG. 2

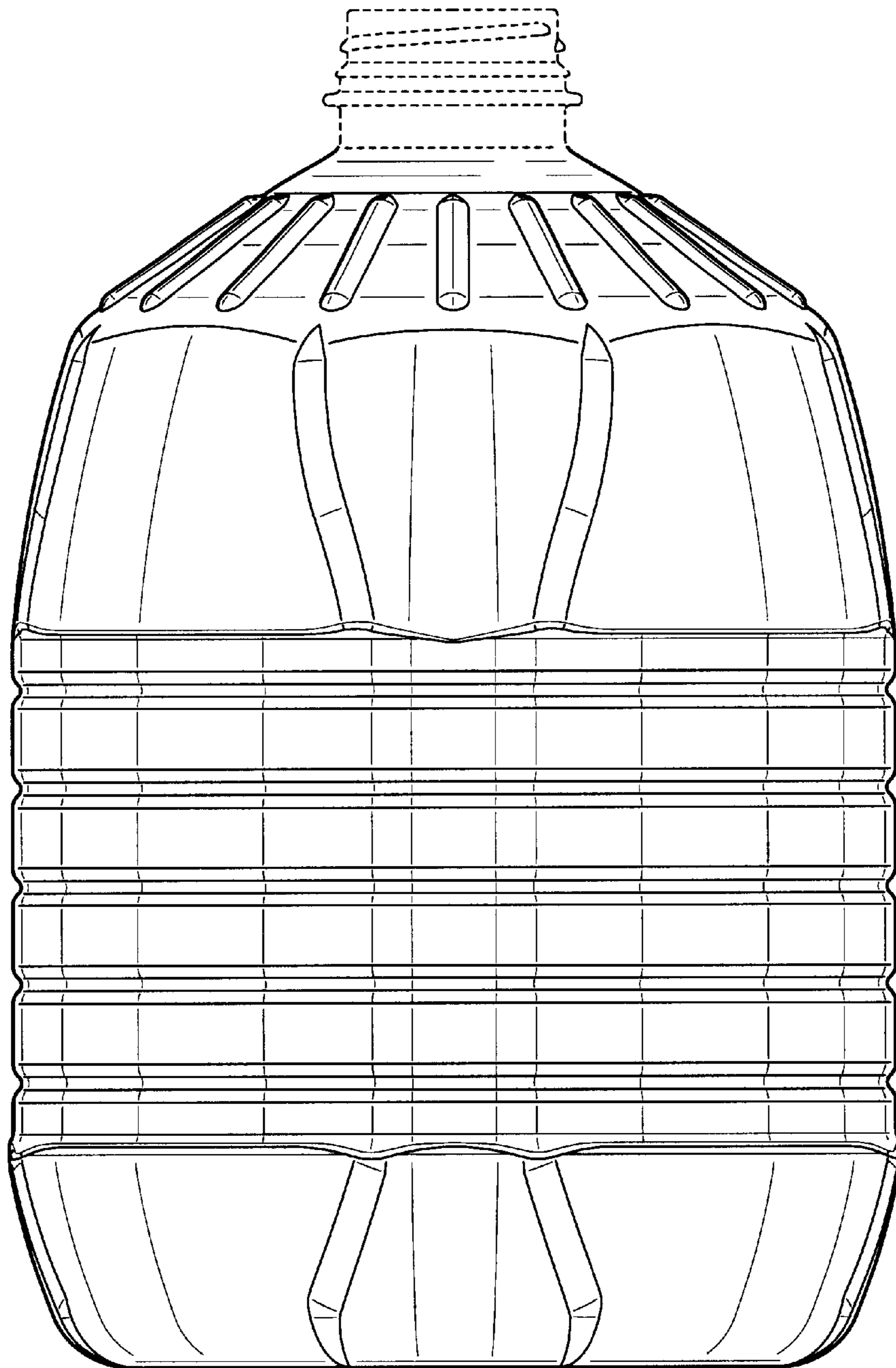


FIG. 3

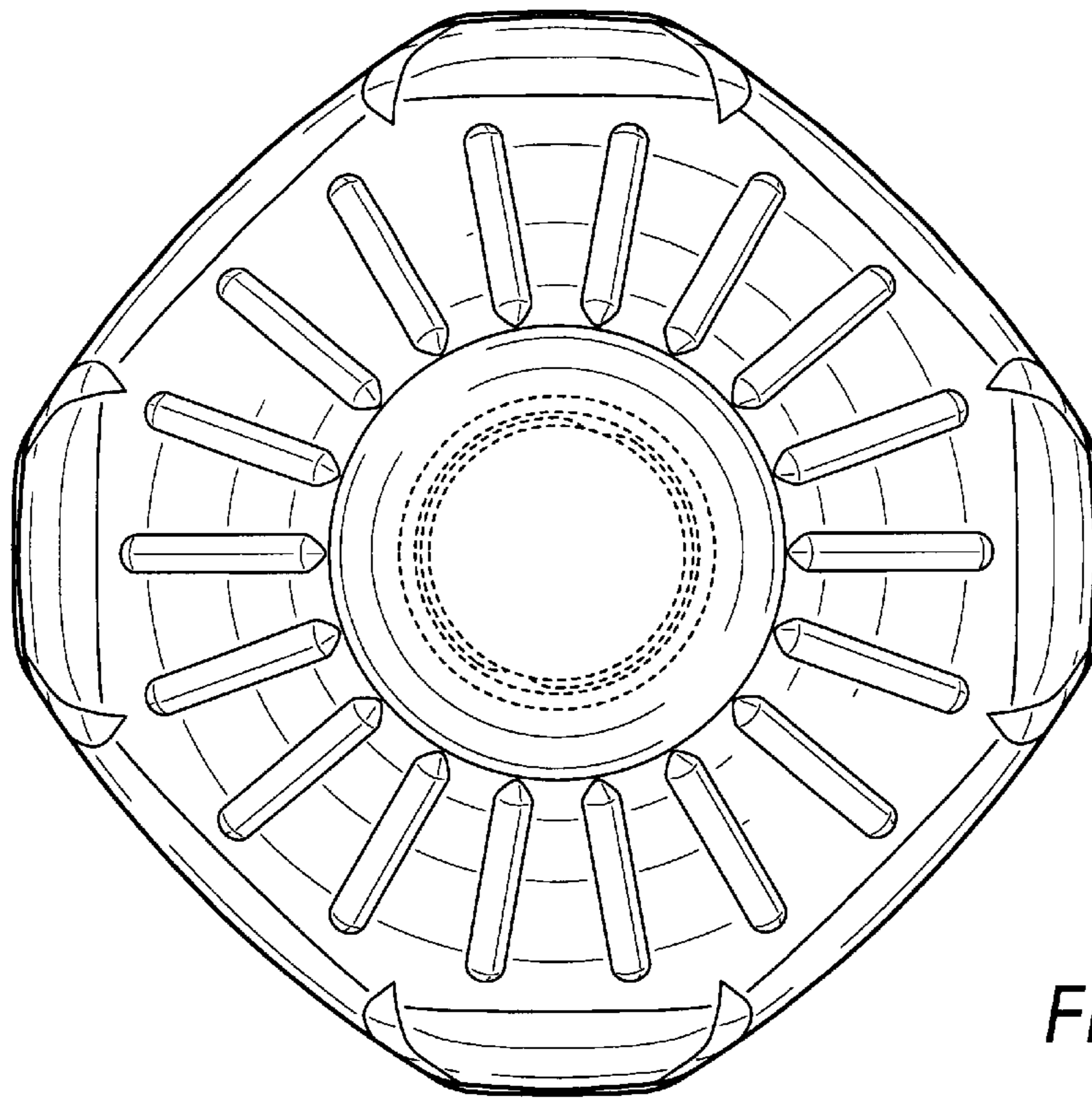


FIG. 4

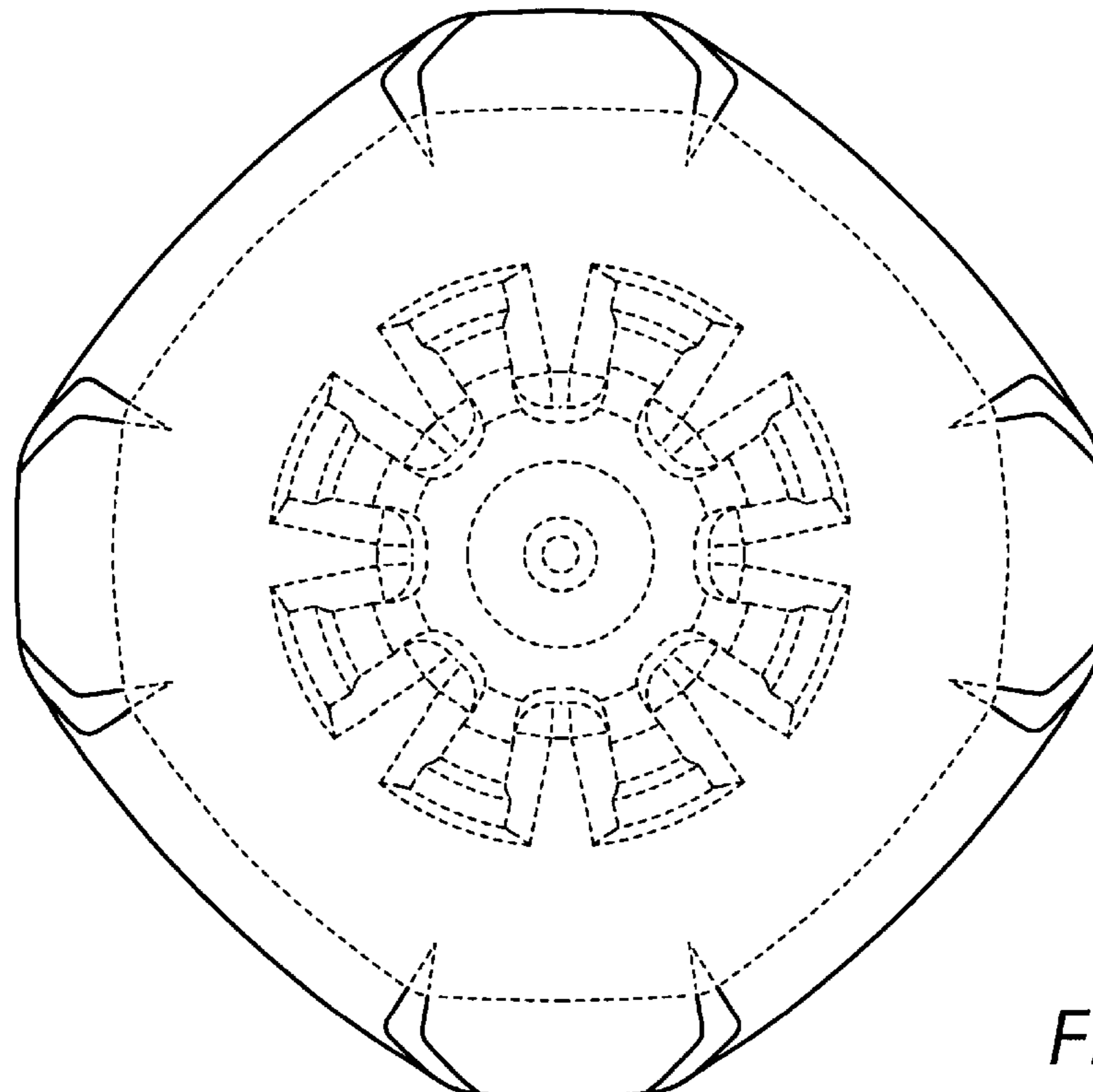


FIG. 5