

US00D527992S

(12) **United States Design Patent**  
**Chiang**

(10) **Patent No.:** **US D527,992 S**

(45) **Date of Patent:** **\*\* Sep. 12, 2006**

(54) **CONNECTION TUBE**

(76) Inventor: **Douglas Chiang**, 235 Chung-Ho Box  
8-24, Taipei (TW)

(\*\*) Term: **14 Years**

(21) Appl. No.: **29/221,439**

(22) Filed: **Jan. 18, 2005**

(51) **LOC (8) Cl.** ..... **08-08**

(52) **U.S. Cl.** ..... **D8/396**

(58) **Field of Classification Search** ..... D8/354-356,  
D8/371, 394-396; 24/16 R; 248/49, 62, 74.1-74.4;  
D12/223, 110-117, 402  
See application file for complete search history.

(56) **References Cited**

**U.S. PATENT DOCUMENTS**

|            |   |        |            |       |         |
|------------|---|--------|------------|-------|---------|
| D109,821 S | * | 5/1938 | Snell      | ..... | D12/117 |
| D113,713 S | * | 3/1939 | Morgan     | ..... | D12/117 |
| D185,070 S | * | 5/1959 | Demaree    | ..... | D8/367  |
| D326,601 S | * | 6/1992 | Smith      | ..... | D8/356  |
| D354,024 S | * | 1/1995 | Giard, Jr. | ..... | D12/117 |

|              |   |        |              |       |          |
|--------------|---|--------|--------------|-------|----------|
| D422,536 S   | * | 4/2000 | Marshall     | ..... | D12/114  |
| 6,557,437 B1 | * | 5/2003 | Masui et al. | ..... | 74/551.8 |
| 6,615,686 B1 | * | 9/2003 | Kao          | ..... | 74/551.8 |
| D510,059 S   | * | 9/2005 | Hickman      | ..... | D12/117  |
| 7,025,369 B1 | * | 4/2006 | Sine         | ..... | 280/291  |

\* cited by examiner

*Primary Examiner*—Louis S. Zarfes  
*Assistant Examiner*—John Windmuller

(57) **CLAIM**

The ornamental design for a connection tube, as shown and described.

**DESCRIPTION**

FIG. 1 is a perspective view of a connection tube showing my new design.

FIG. 2 is a front elevational view thereof.

FIG. 3 is a rear elevational view thereof.

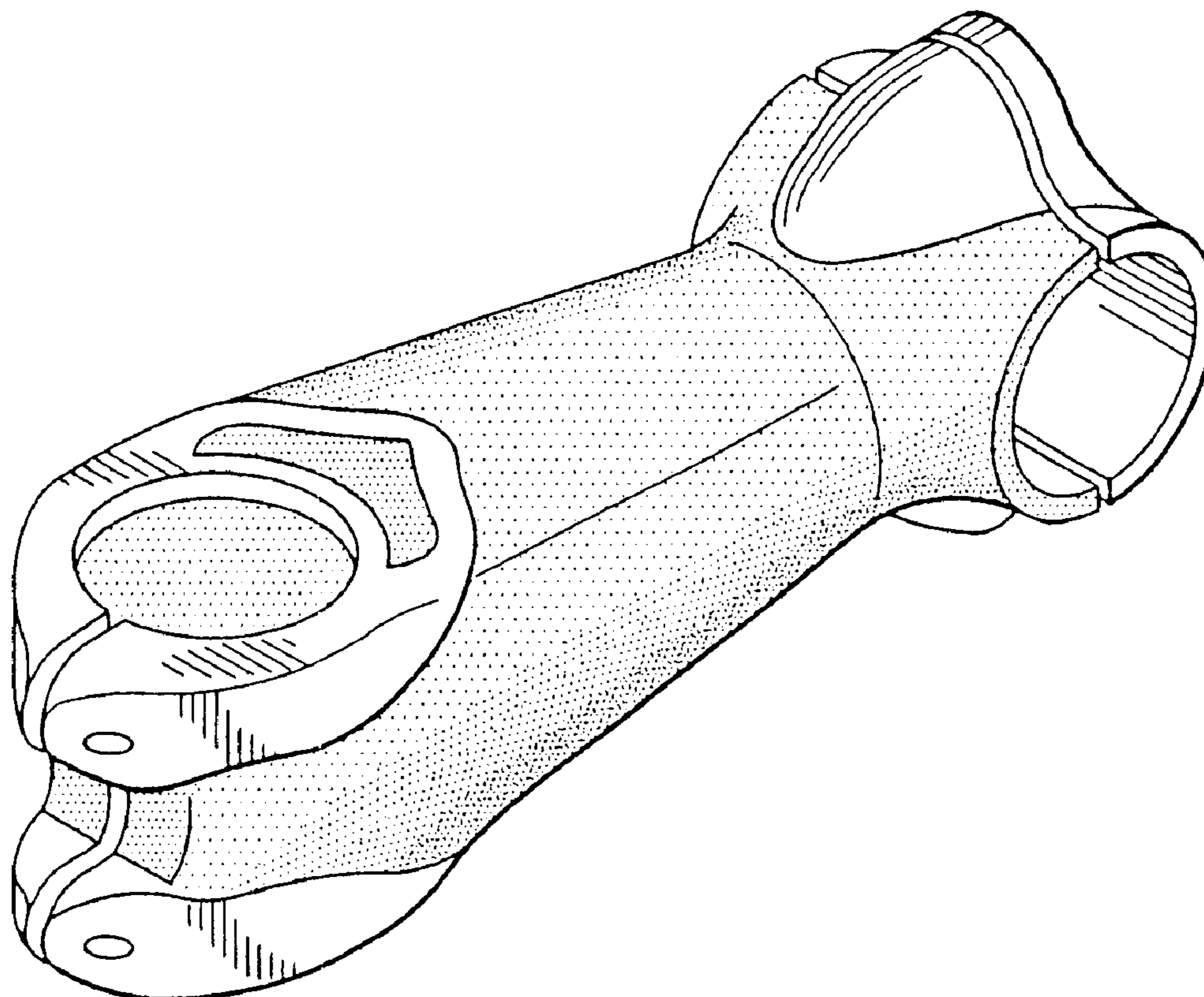
FIG. 4 is a left side view thereof.

FIG. 5 is a right side view thereof.

FIG. 6 is a top plan view thereof; and,

FIG. 7 is a bottom plan view thereof.

**1 Claim, 4 Drawing Sheets**



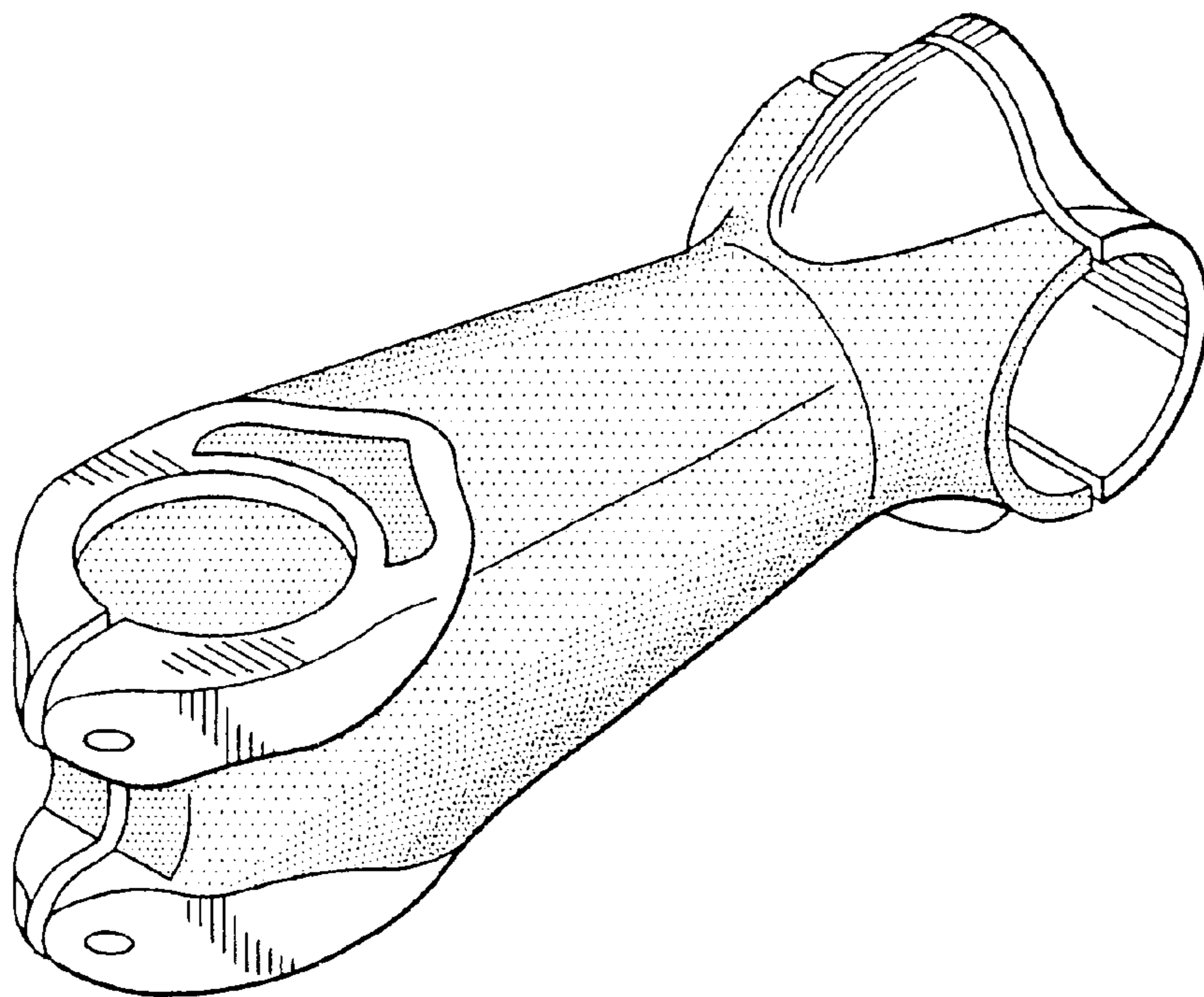


FIG. 1

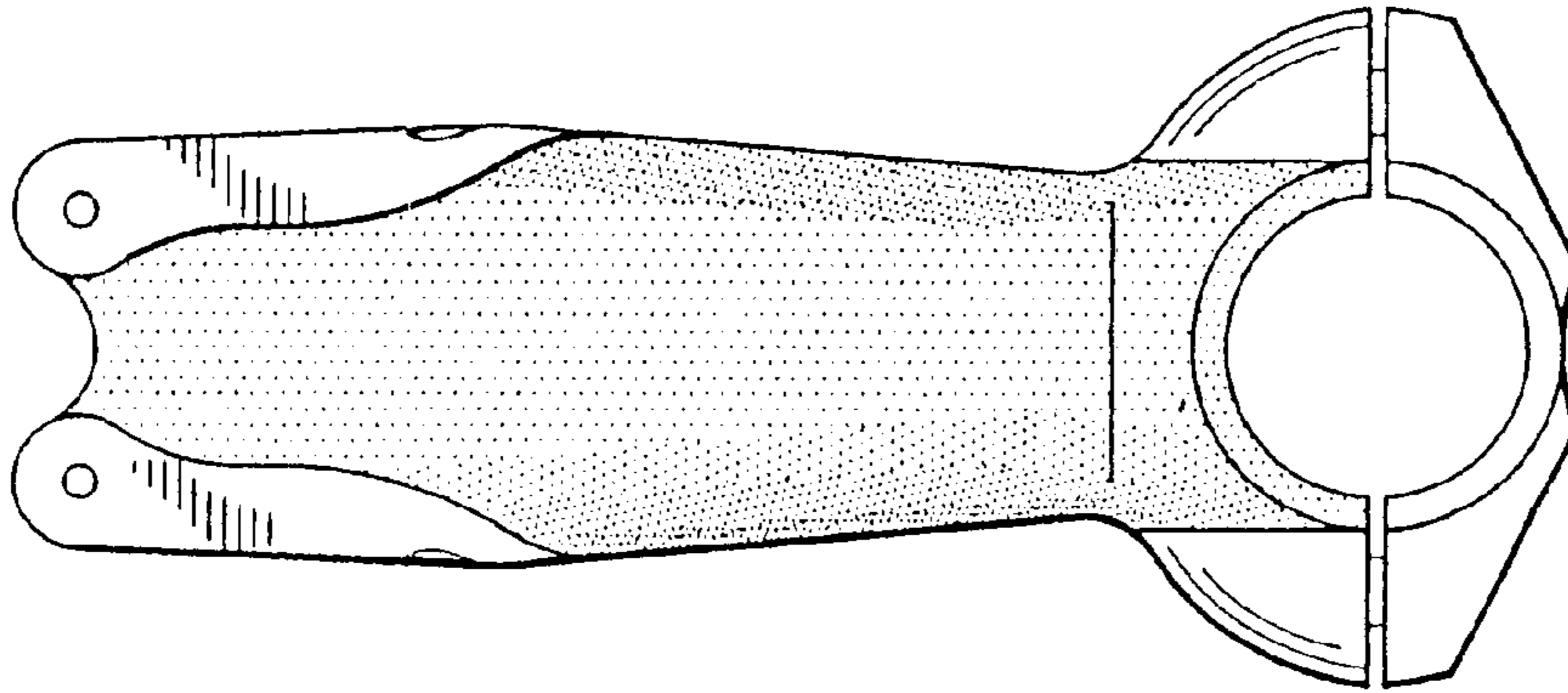


FIG. 2

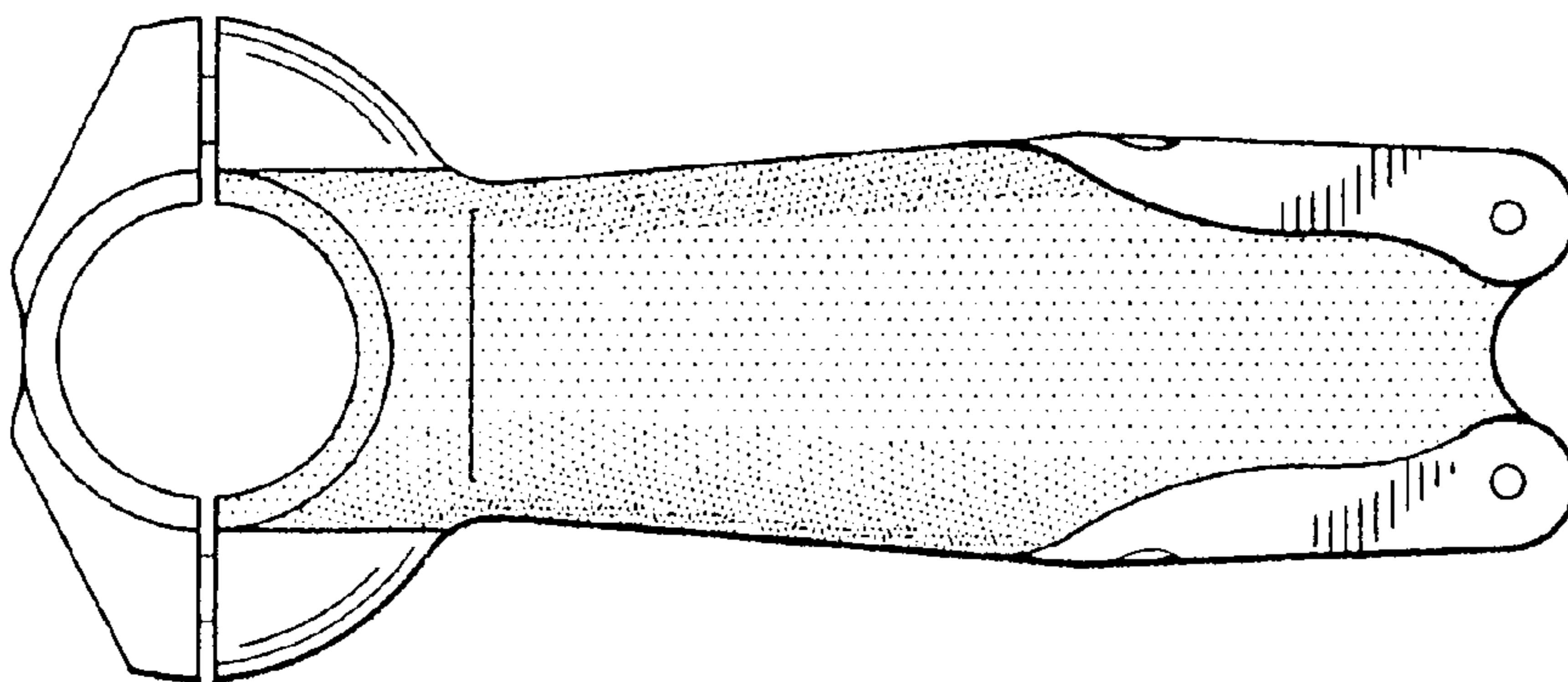


FIG. 3

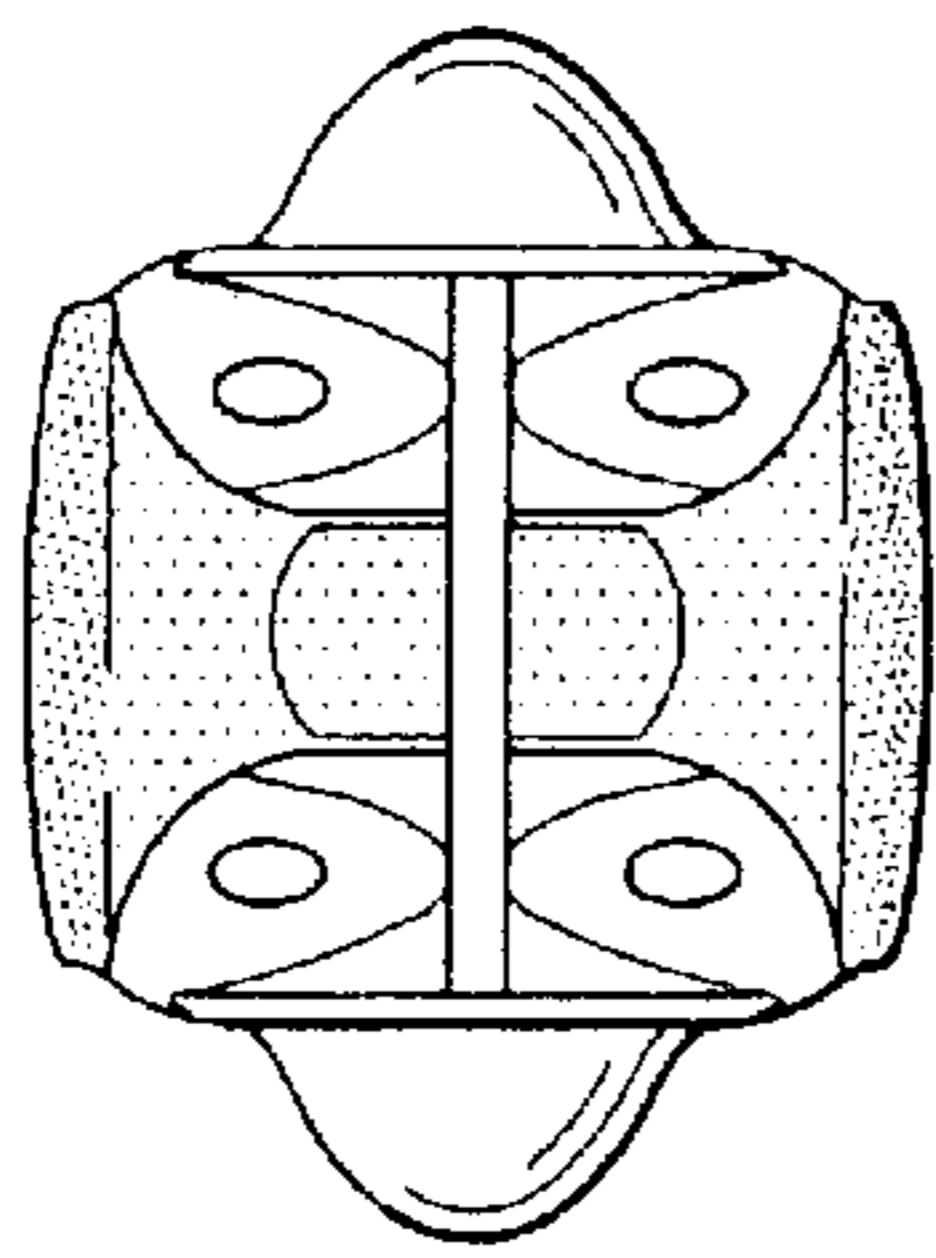


FIG. 4

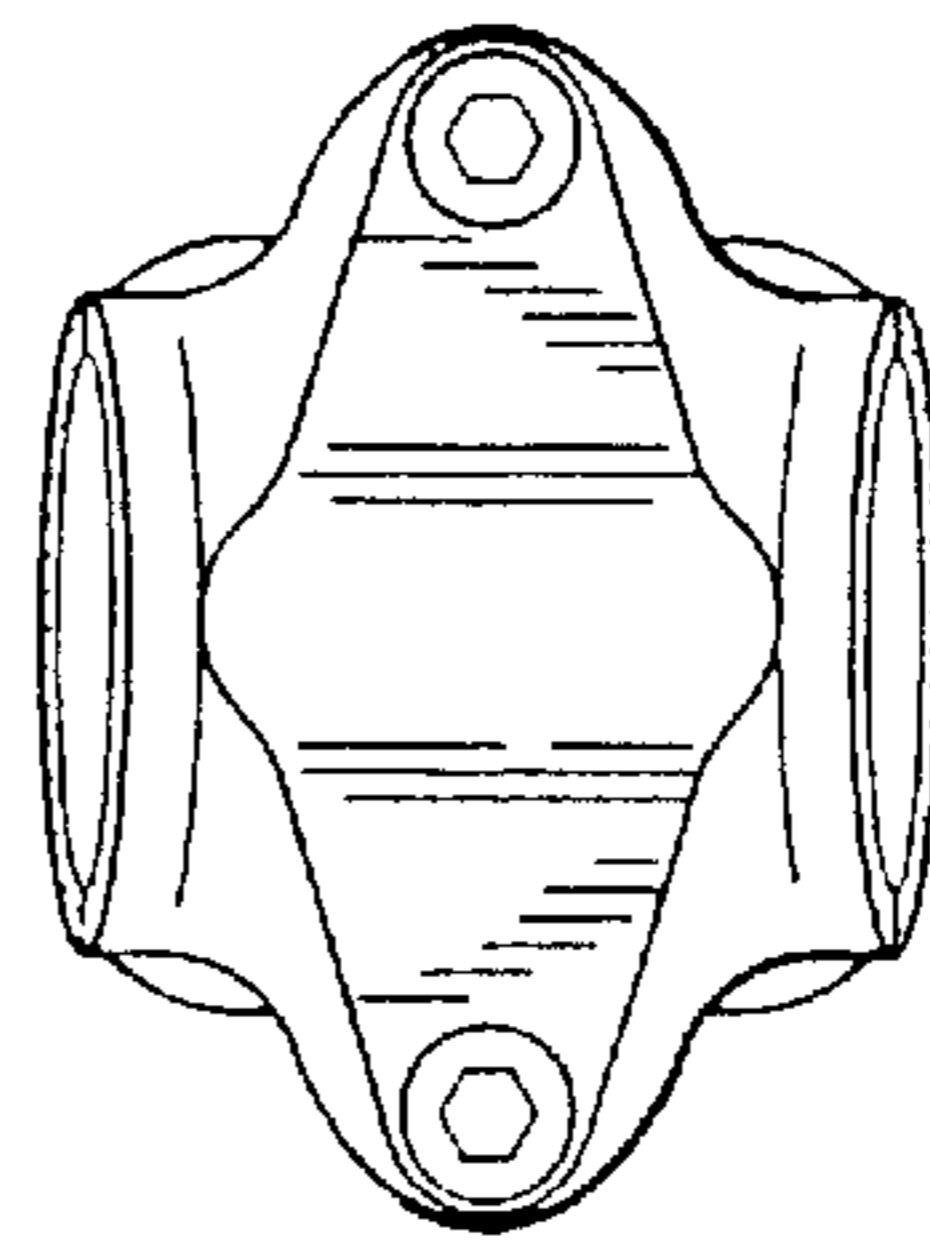


FIG. 5

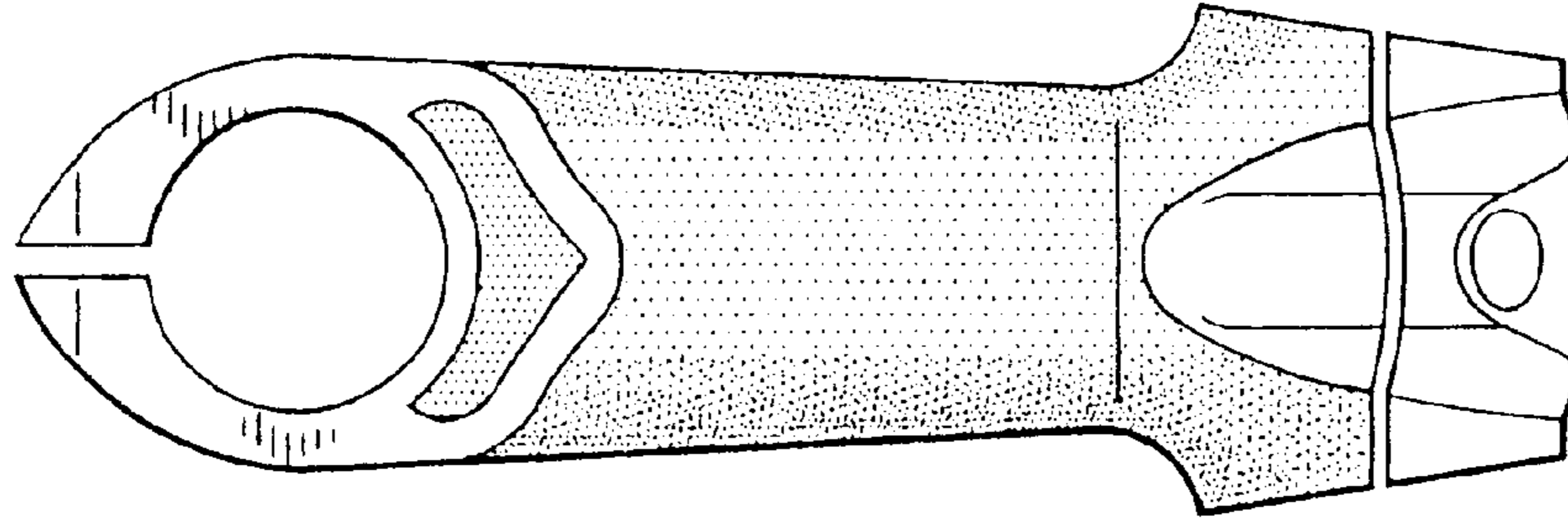


FIG. 6

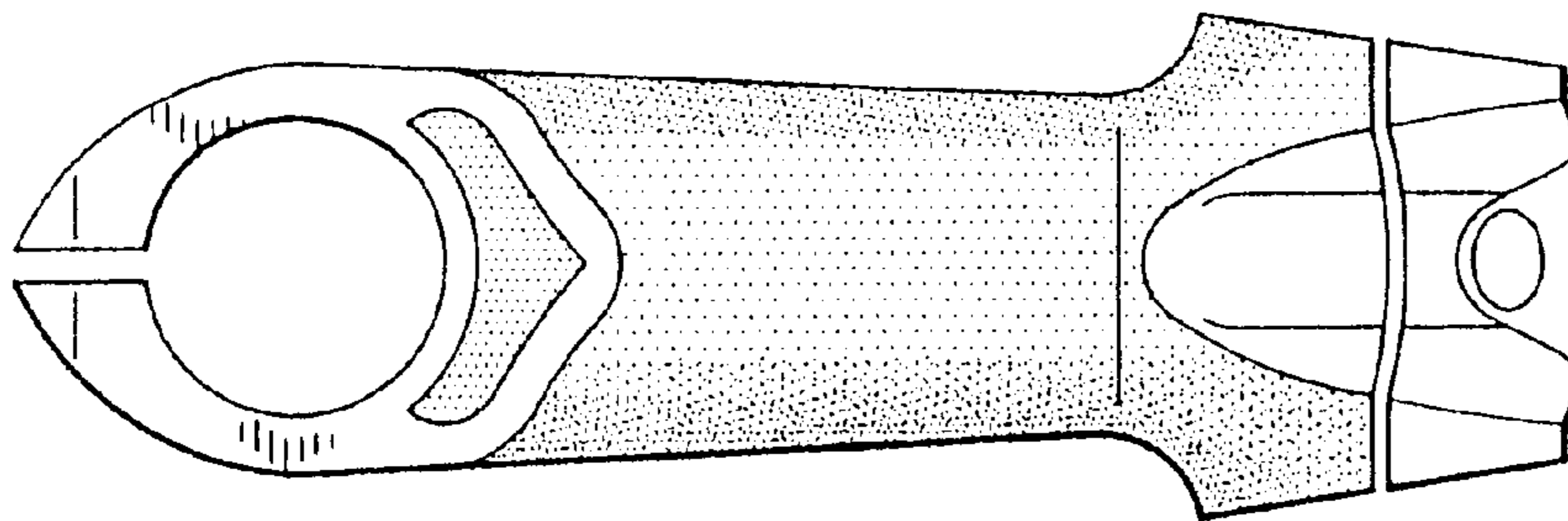


FIG. 7