



US00D527991S

(12) **United States Design Patent**
Chiang

(10) **Patent No.:** **US D527,991 S**

(45) **Date of Patent:** **** Sep. 12, 2006**

(54) **CONNECTION TUBE**

(76) **Inventor:** **Douglas Chiang**, 235 Chung-Ho Box
8-24, Taipei (TW)

(**) **Term:** **14 Years**

(21) **Appl. No.:** **29/221,434**

(22) **Filed:** **Jan. 18, 2005**

(51) **LOC (8) Cl.** **08-08**

(52) **U.S. Cl.** **D8/396**; D12/118

(58) **Field of Classification Search** D8/354-356,
D8/371, 394-396; 24/16 R; 248/49, 62, 74.1-74.4;
D12/223, 110-118, 402

See application file for complete search history.

(56) **References Cited**

U.S. PATENT DOCUMENTS

D109,821 S	*	5/1938	Snell	D12/117
D113,713 S	*	3/1939	Morgan	D12/117
D185,070 S	*	5/1959	Demaree	D8/367
D416,521 S	*	11/1999	Giard	D12/118
D422,536 S	*	4/2000	Marshall	D12/114

D451,847 S	*	12/2001	Thomson et al.	D12/118
6,557,437 B1	*	5/2003	Masui et al.	74/551.8
6,615,686 B1	*	9/2003	Kao	74/551.8
D512,348 S	*	12/2005	McJunkin et al.	D12/118
7,025,369 B1	*	4/2006	Sine	280/291

* cited by examiner

Primary Examiner—Louis S. Zarfes

Assistant Examiner—John Windmuller

(57) **CLAIM**

The ornamental design for a connection tube, as shown and described.

DESCRIPTION

FIG. 1 is a perspective view of a connection tube showing my new design.

FIG. 2 is a front elevational view thereof.

FIG. 3 is a rear elevational view thereof.

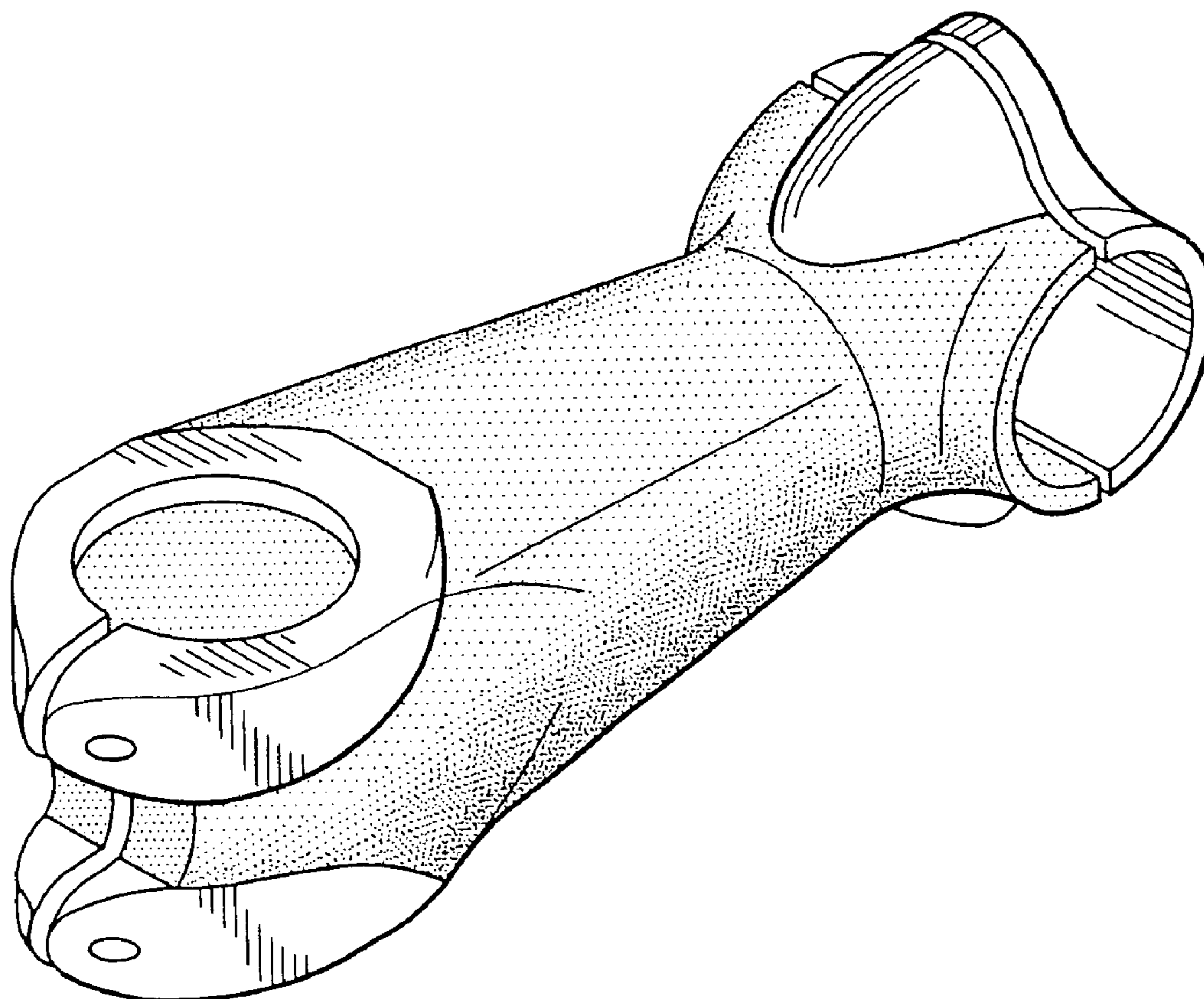
FIG. 4 is a left side view thereof.

FIG. 5 is a right side view thereof.

FIG. 6 is a top plan view thereof; and,

FIG. 7 is a bottom plan view thereof.

1 Claim, 4 Drawing Sheets



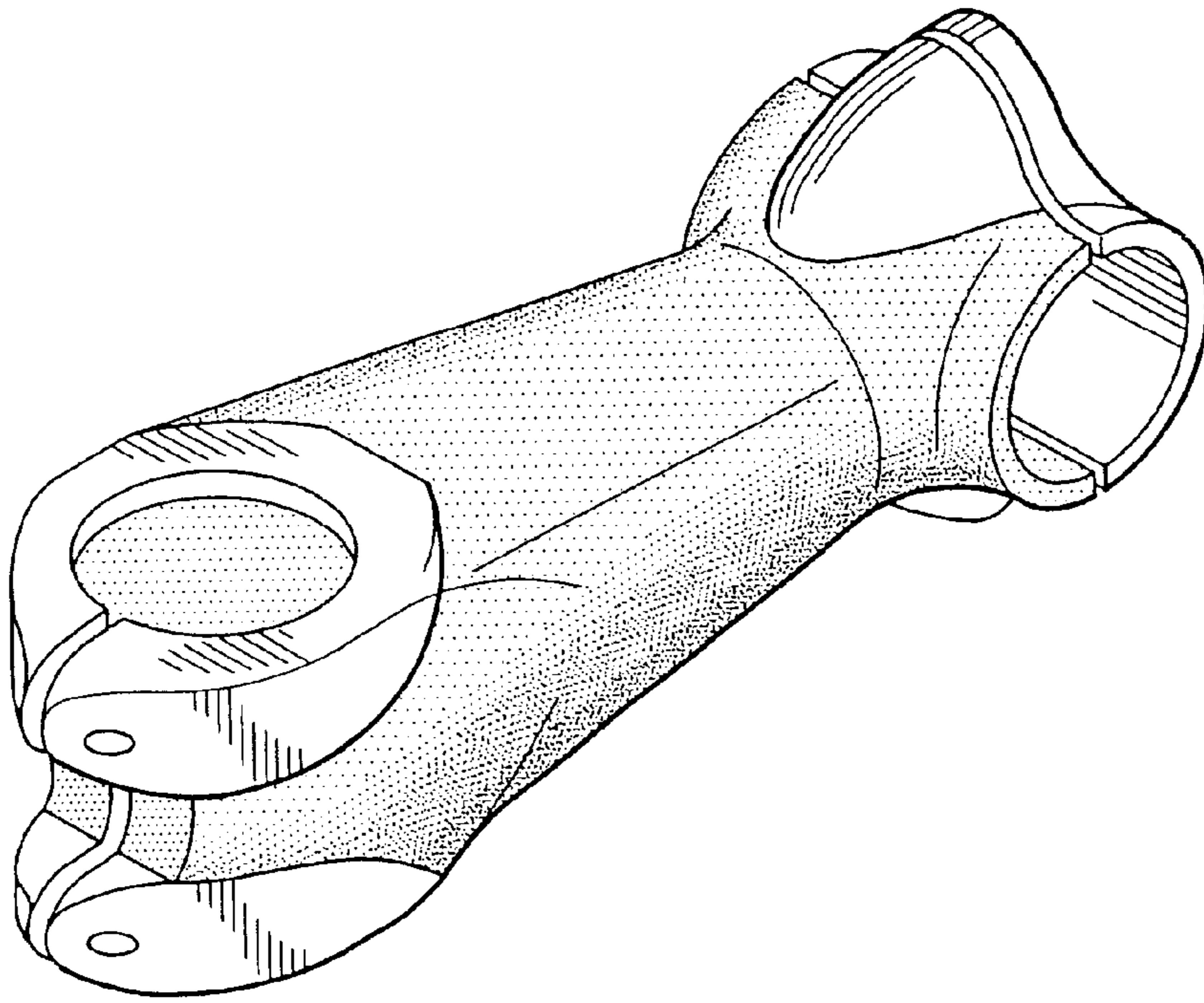


FIG. 1

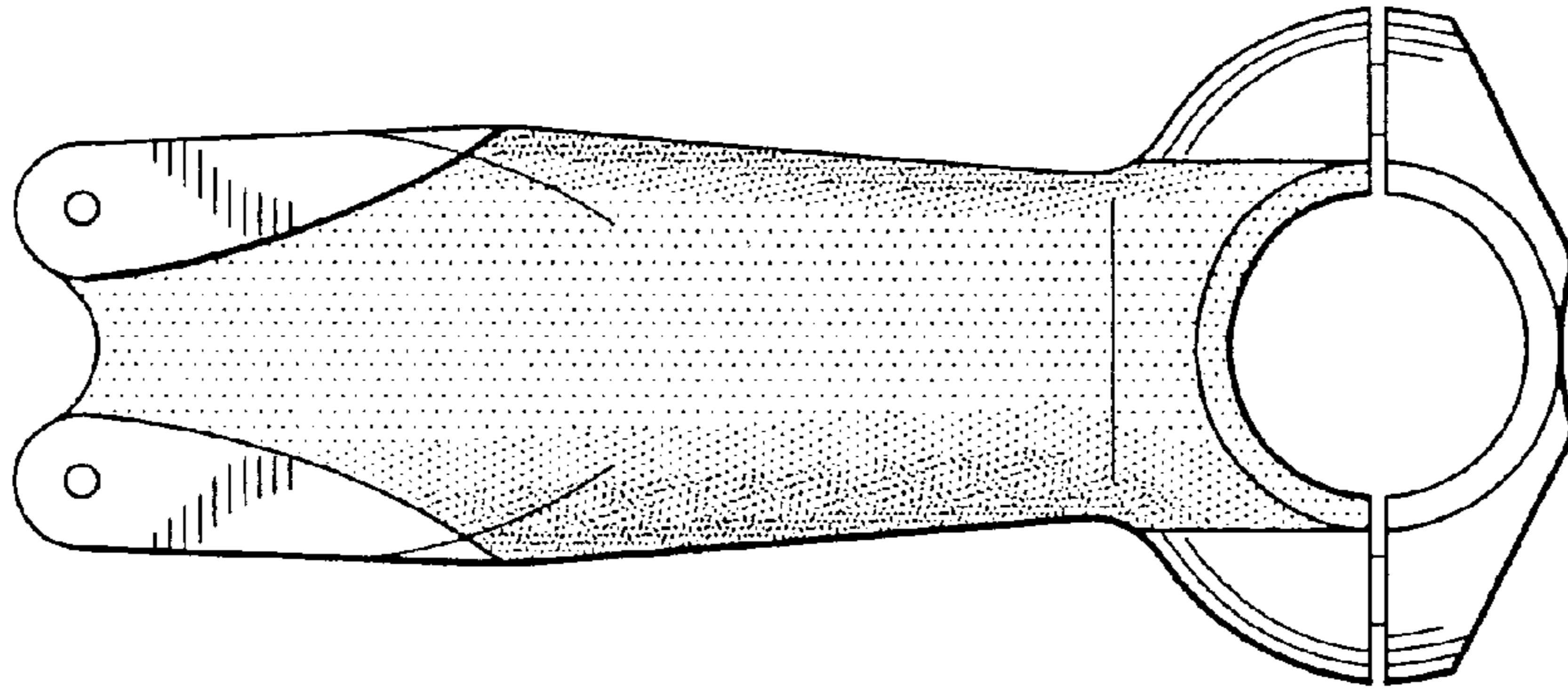


FIG. 2

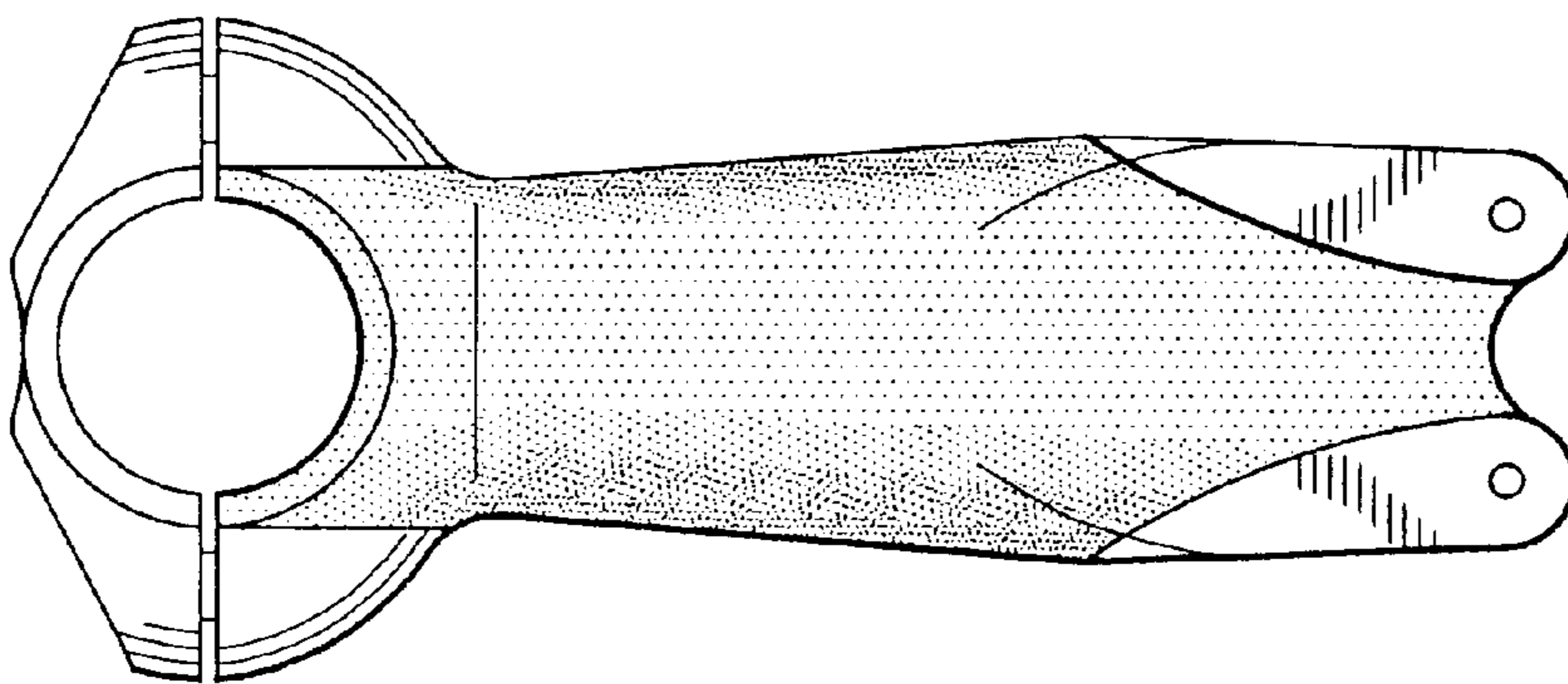


FIG. 3

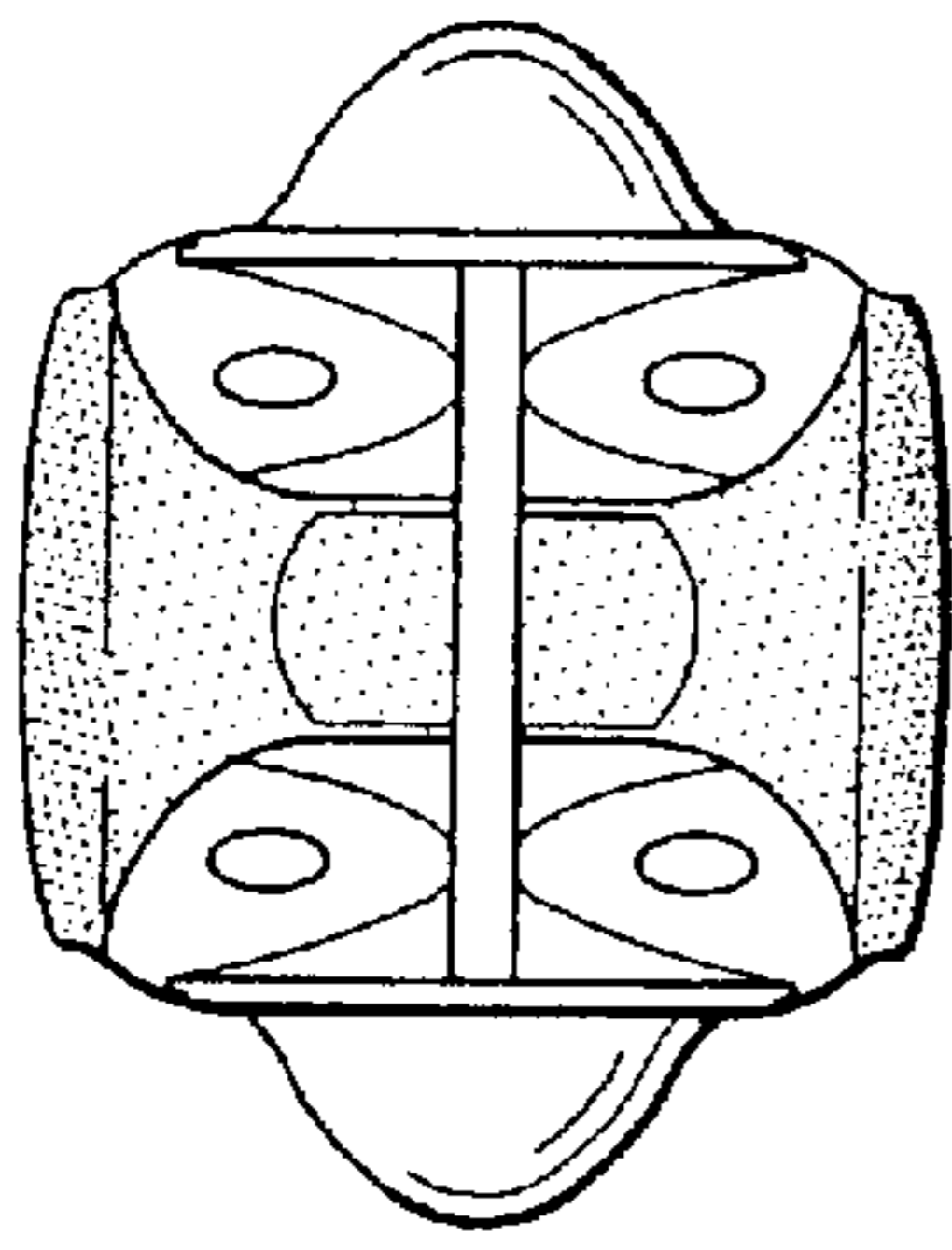


FIG. 4

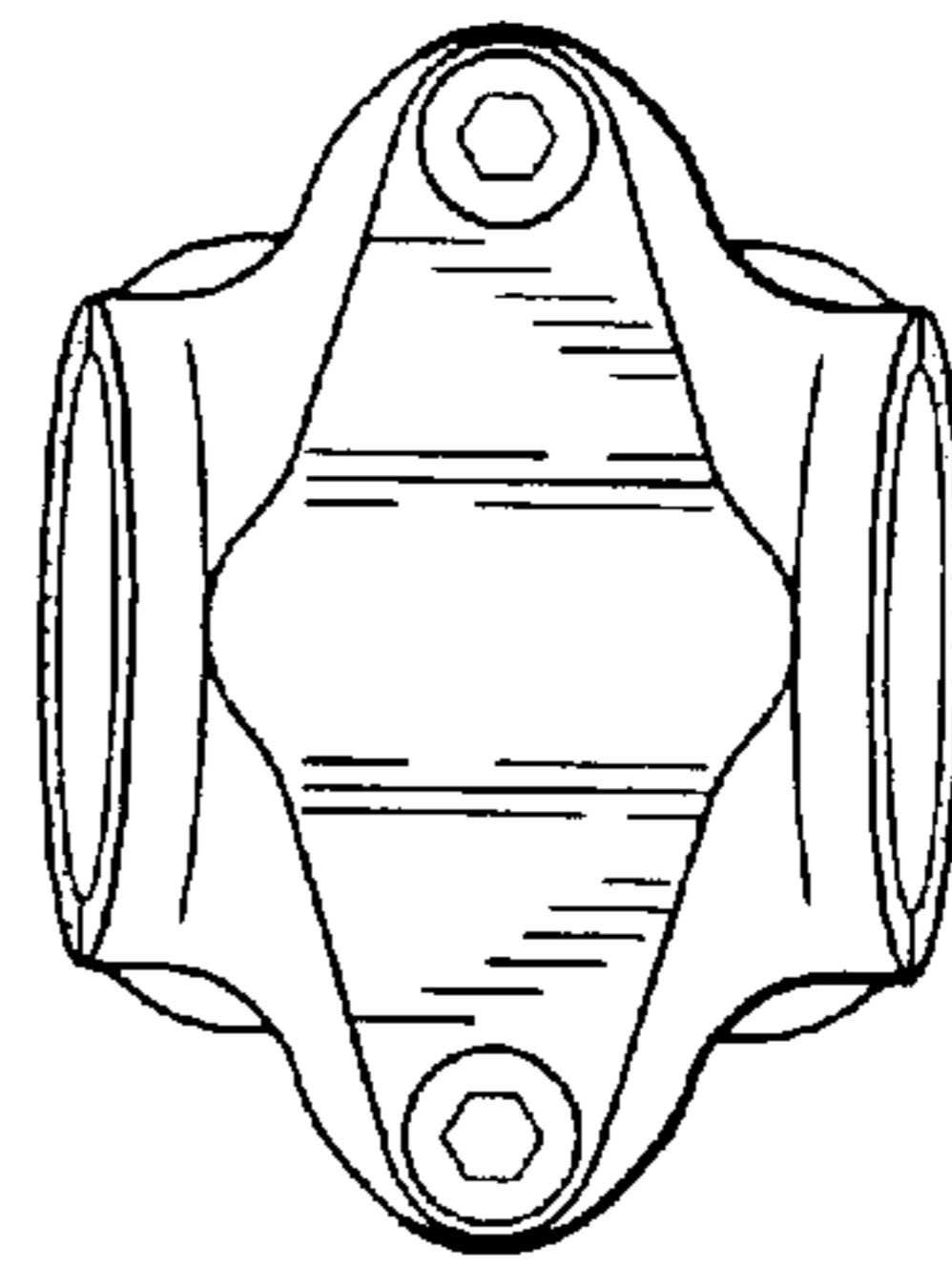


FIG. 5

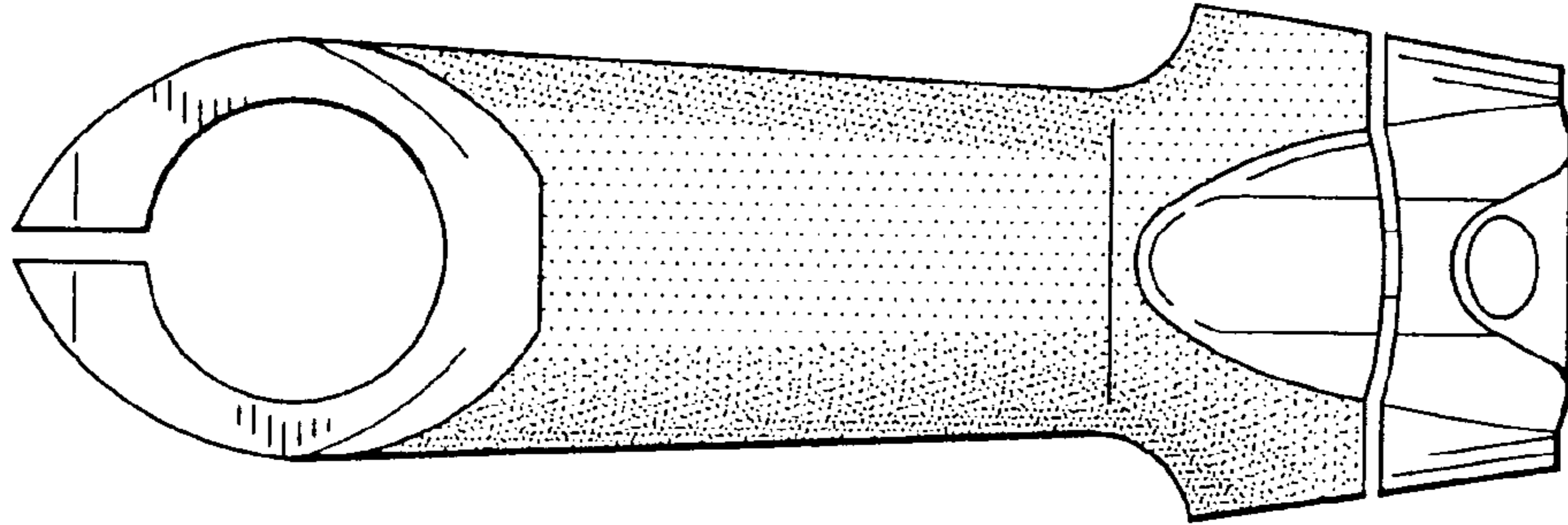


FIG. 6

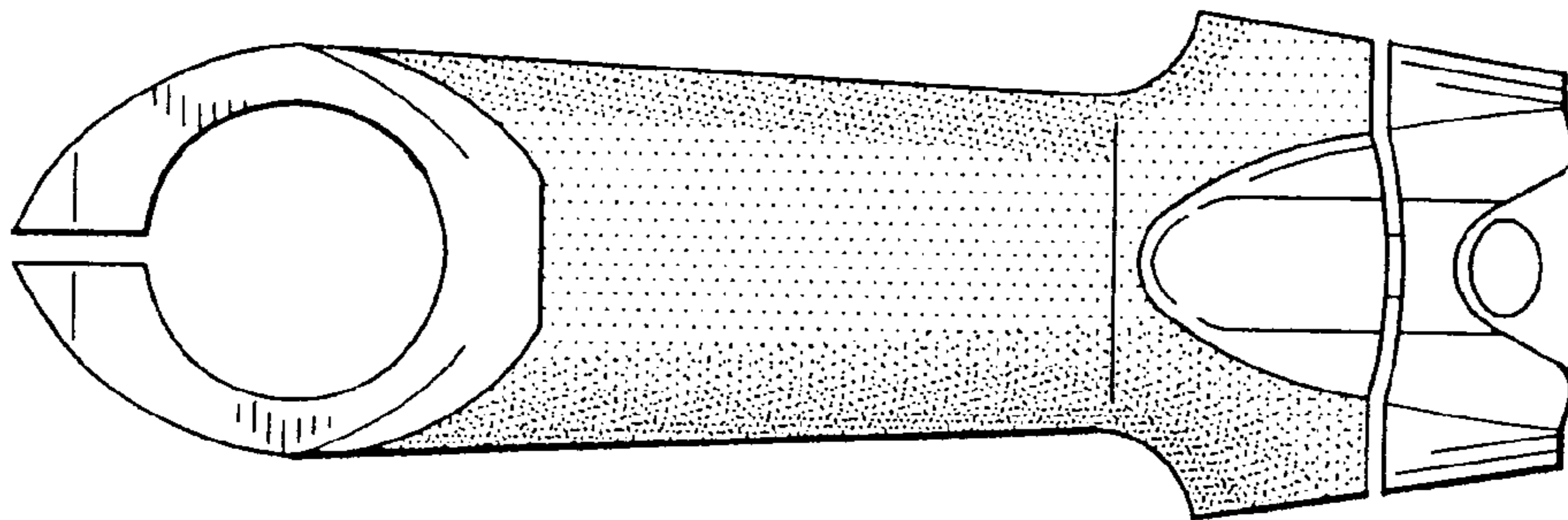


FIG. 7