



US00D527990S

(12) **United States Design Patent**
Myers et al.

(10) **Patent No.:** **US D527,990 S**

(45) **Date of Patent:** **** Sep. 12, 2006**

(54) **CLAMP**

D355,352 S * 2/1995 Whitley, II D8/356
D356,024 S * 3/1995 Whitley et al. D8/356

(75) Inventors: **Gary L. Myers**, Monee, IL (US);
Richard Paeth, St. Charles, IL (US);
Catalin Captarencu, Wheeling, IL (US)

* cited by examiner

(73) Assignee: **TriTeq Lock and Security, LLC**, Elk Grove, IL (US)

Primary Examiner—Louis S. Zarfes
Assistant Examiner—John Windmuller
(74) *Attorney, Agent, or Firm*—Leydig, Voit & Mayer, Ltd.

(**) Term: **14 Years**

(57) **CLAIM**

The ornamental design for a clamp, as shown and described.

(21) Appl. No.: **29/225,394**

(22) Filed: **Mar. 15, 2005**

DESCRIPTION

(51) **LOC (8) Cl.** **08-08**

FIG. 1 is a top and right side perspective view of a clamp showing our new design;

(52) **U.S. Cl.** **D8/394**

FIG. 2 is a right side elevational view thereof;

(58) **Field of Classification Search** D8/71-74,

FIG. 3 is a left end elevational view thereof;

D8/52, 54; 81/320, 325, 328, 300, 302, 314,

FIG. 4 is a top plan view thereof;

81/323, 324, 418, 421, 338, 392; 269/6

FIG. 5 is a right end elevational view thereof; and,

See application file for complete search history.

FIG. 6 is a bottom plan view thereof.

(56) **References Cited**

U.S. PATENT DOCUMENTS

D325,694 S * 4/1992 Van Dyn Hoven et al. .. D8/356

1 Claim, 1 Drawing Sheet

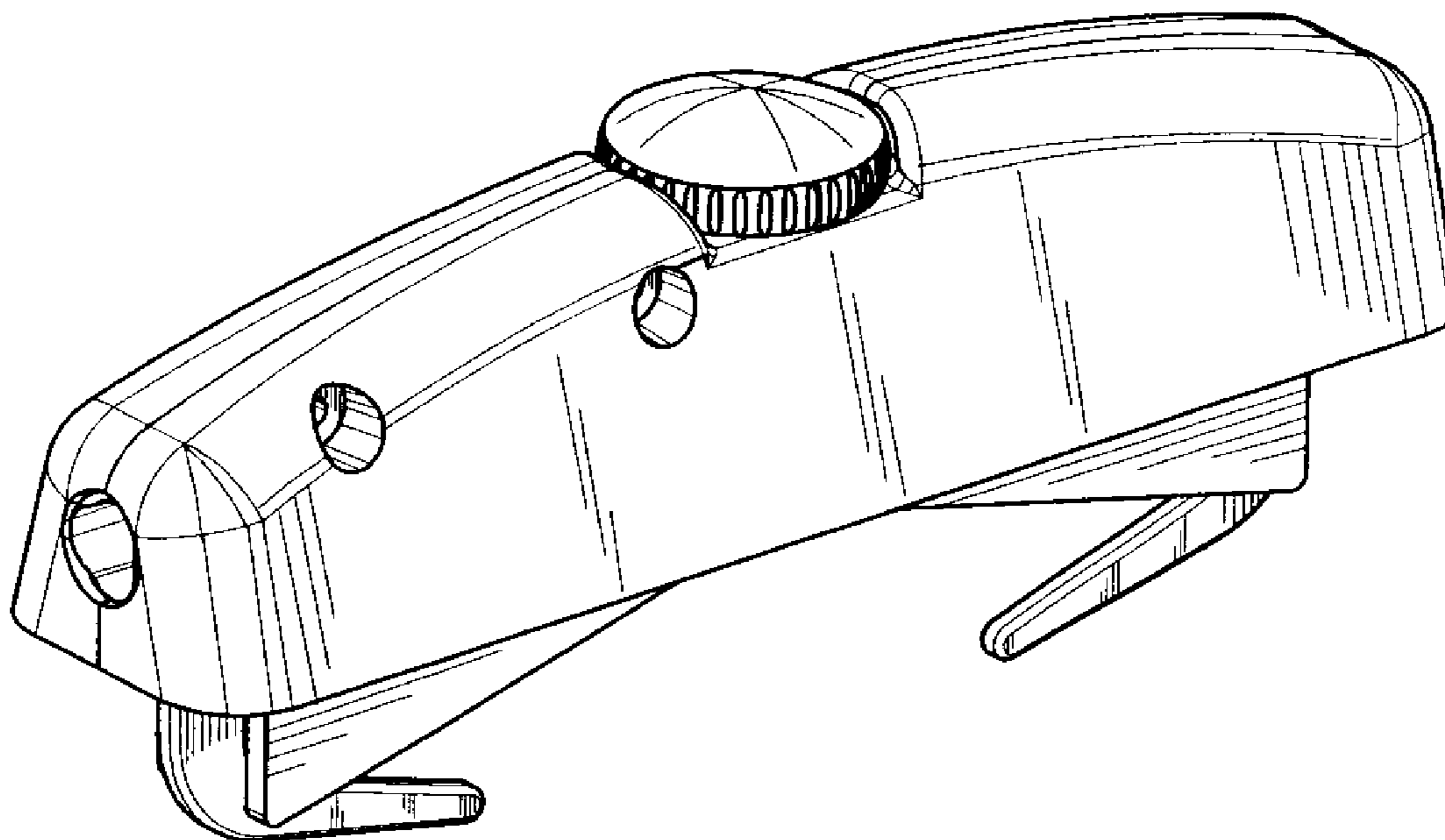


FIG. 1

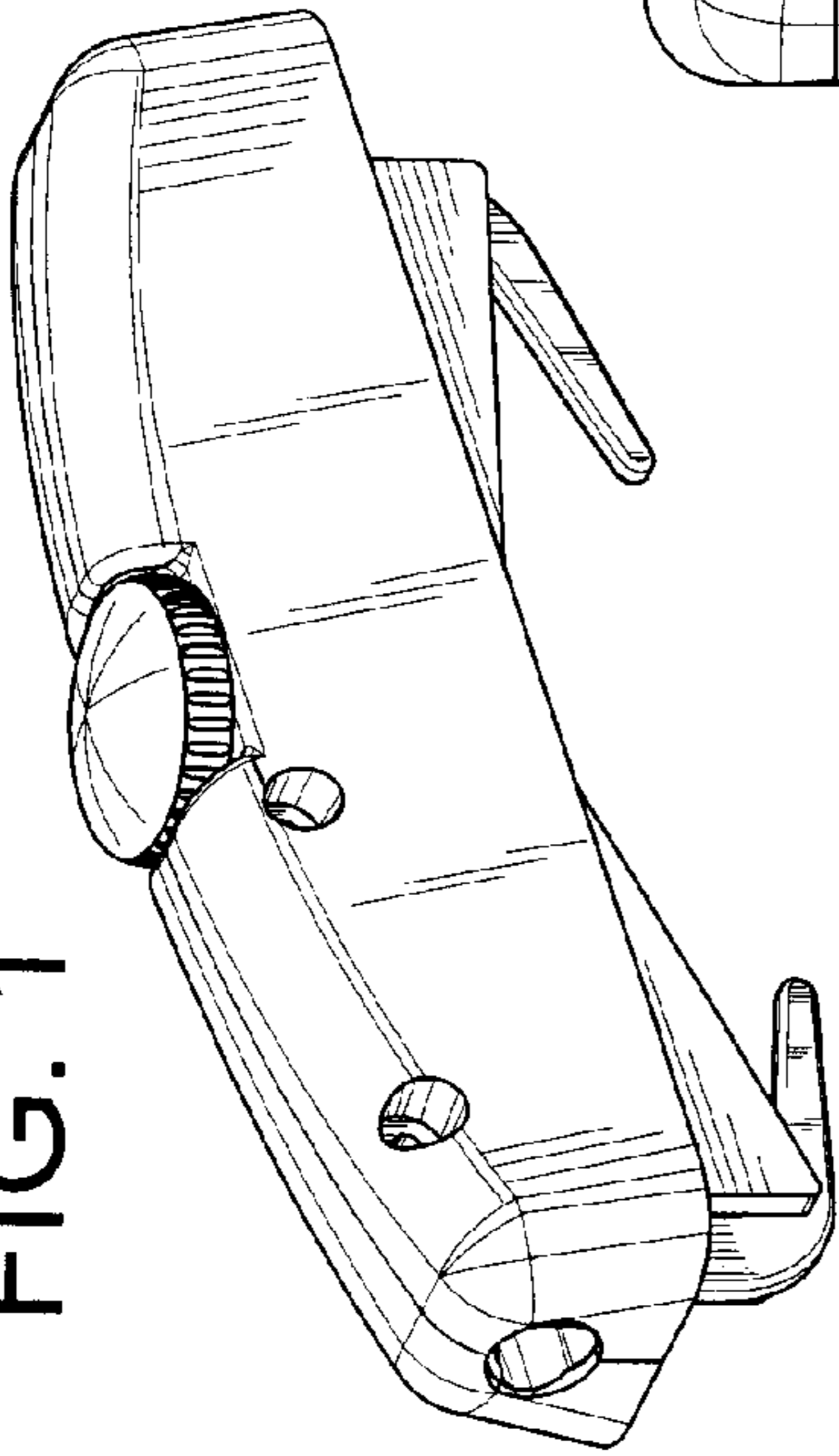


FIG. 4

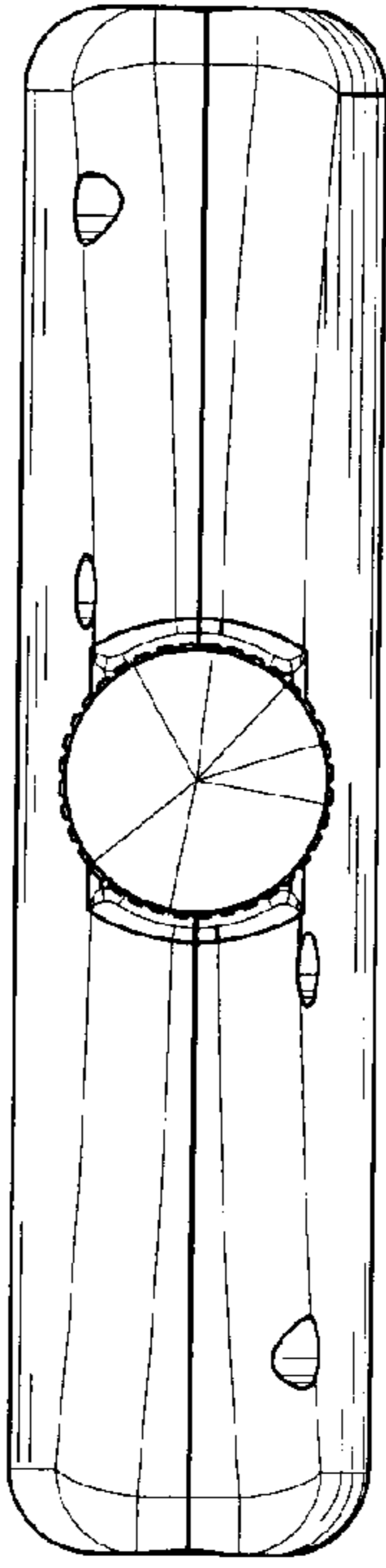


FIG. 3

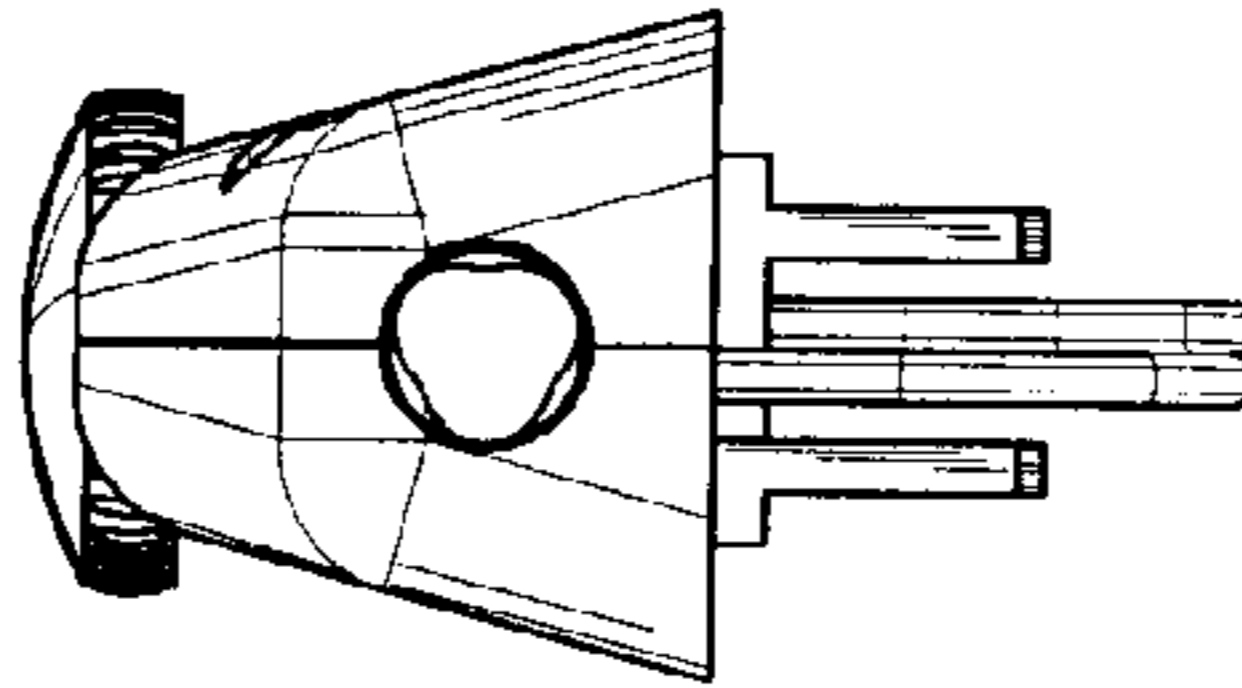


FIG. 2

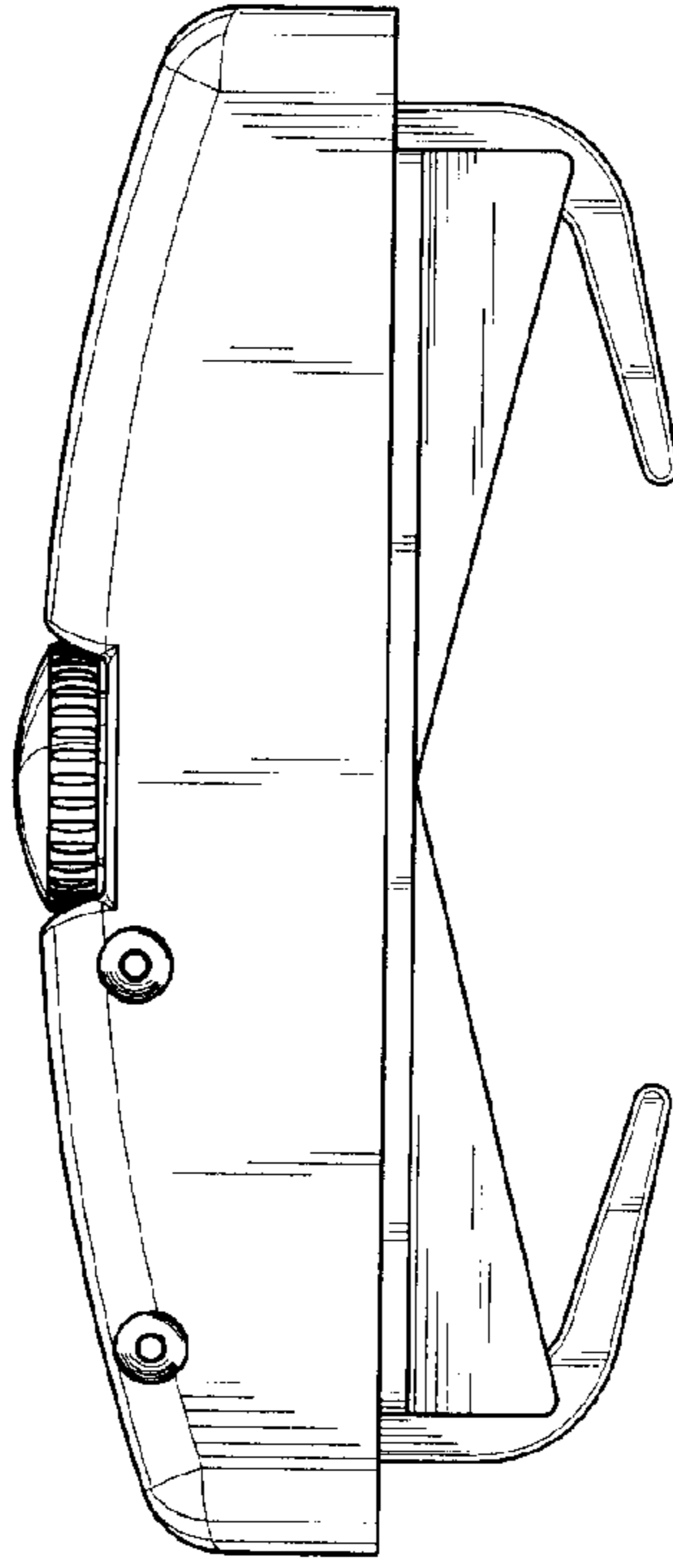


FIG. 5

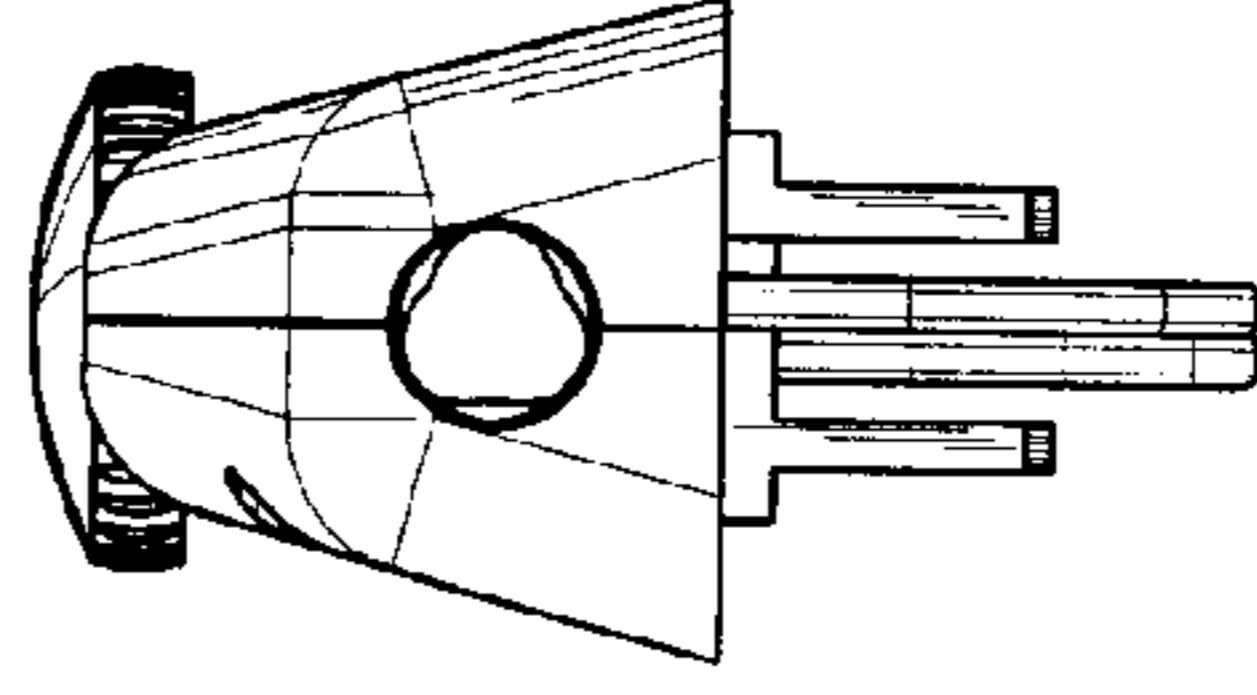


FIG. 6

