



US00D527985S

(12) **United States Design Patent**
Conaway

(10) **Patent No.:** **US D527,985 S**

(45) **Date of Patent:** **** Sep. 12, 2006**

(54) **MOUNTING BRACKET FOR A WHEELBARROW TRAY**

(75) Inventor: **Brian J. Conaway**, Columbus, OH (US)

(73) Assignee: **UnionTools, Inc.**, Columbus, OH (US)

(**) Term: **14 Years**

(21) Appl. No.: **29/210,760**

(22) Filed: **Aug. 5, 2004**

Related U.S. Application Data

(63) Continuation-in-part of application No. 10/805,685, filed on Mar. 19, 2004.

(51) **LOC (8) Cl.** **08-05**

(52) **U.S. Cl.** **D8/354**

(58) **Field of Classification Search** D8/349, D8/354; D34/12; 248/200, 300
See application file for complete search history.

(56) **References Cited**

U.S. PATENT DOCUMENTS

- 5,236,111 A * 8/1993 Ferguson 224/571
- 5,531,463 A * 7/1996 Givens 280/47.2
- D410,580 S * 6/1999 Kaffenberger, Sr. D34/38

D410,835 S * 6/1999 Cosgrove D8/354

* cited by examiner

Primary Examiner—Holly Baynham

(74) *Attorney, Agent, or Firm*—Porter, Wright, Morris & Arthur, LLP

(57) **CLAIM**

The ornamental design for a mounting bracket for a wheelbarrow tray, as shown and described.

DESCRIPTION

FIG. 1 is a perspective view of a mounting bracket for a wheelbarrow tray showing our new design;

FIG. 2 is a left side elevational view of the mounting bracket for a wheelbarrow tray of FIG. 1, the right side elevational view being a mirror image thereof;

FIG. 3 is a front elevational view of the mounting bracket for a wheelbarrow tray of FIGS. 1 and 2;

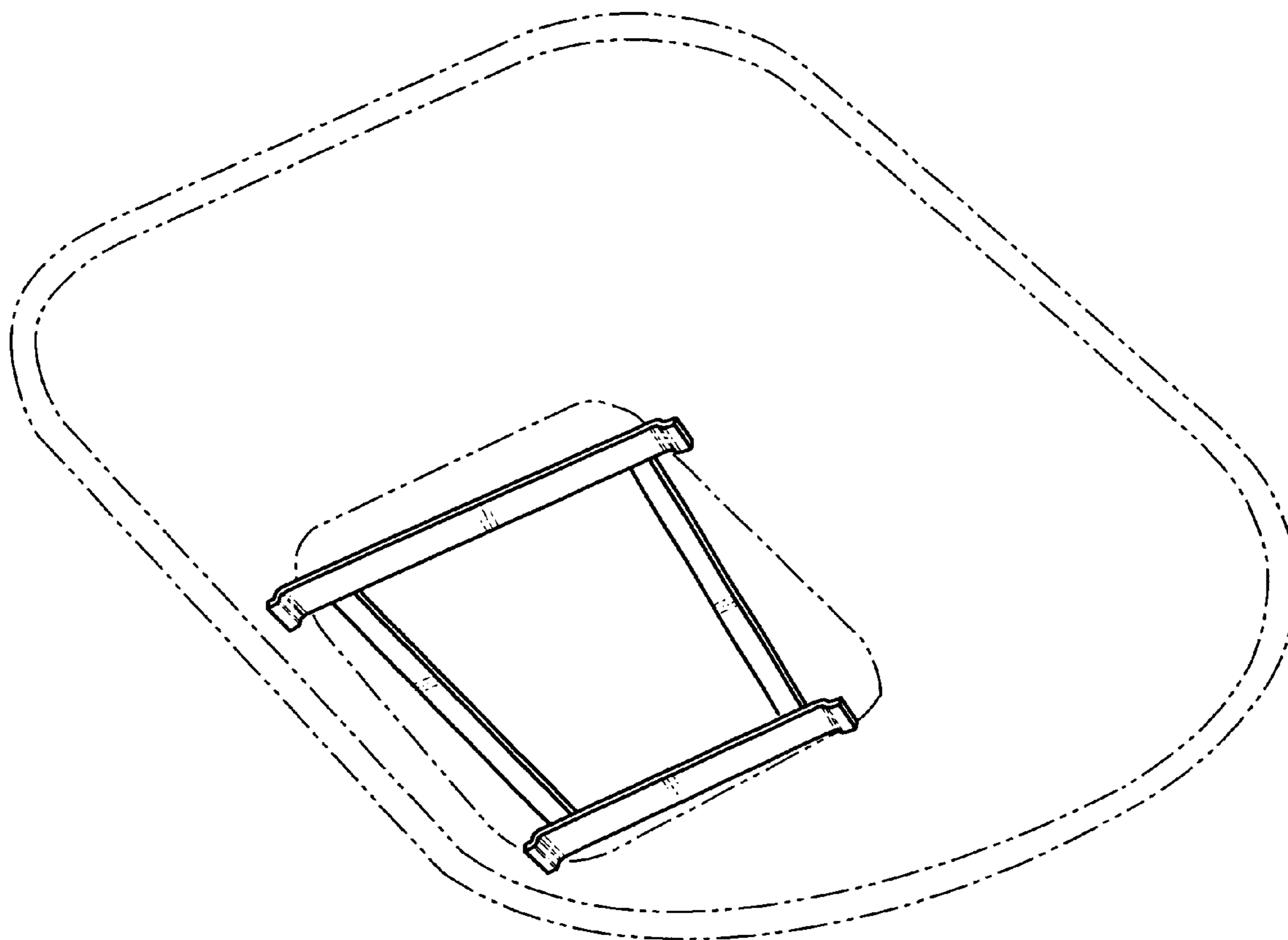
FIG. 4 is a rear elevational view of the mounting bracket for a wheelbarrow tray of FIGS. 1 to 3 ;

FIG. 5 is a bottom planar view of the mounting bracket for a wheelbarrow tray of FIGS. 1 to 4; and,

FIG. 6 is a top planar view of the mounting bracket for a wheelbarrow tray of FIGS. 1 to 5.

The broken lines in the figures are for illustrative purposes only and form no part of the design.

1 Claim, 5 Drawing Sheets



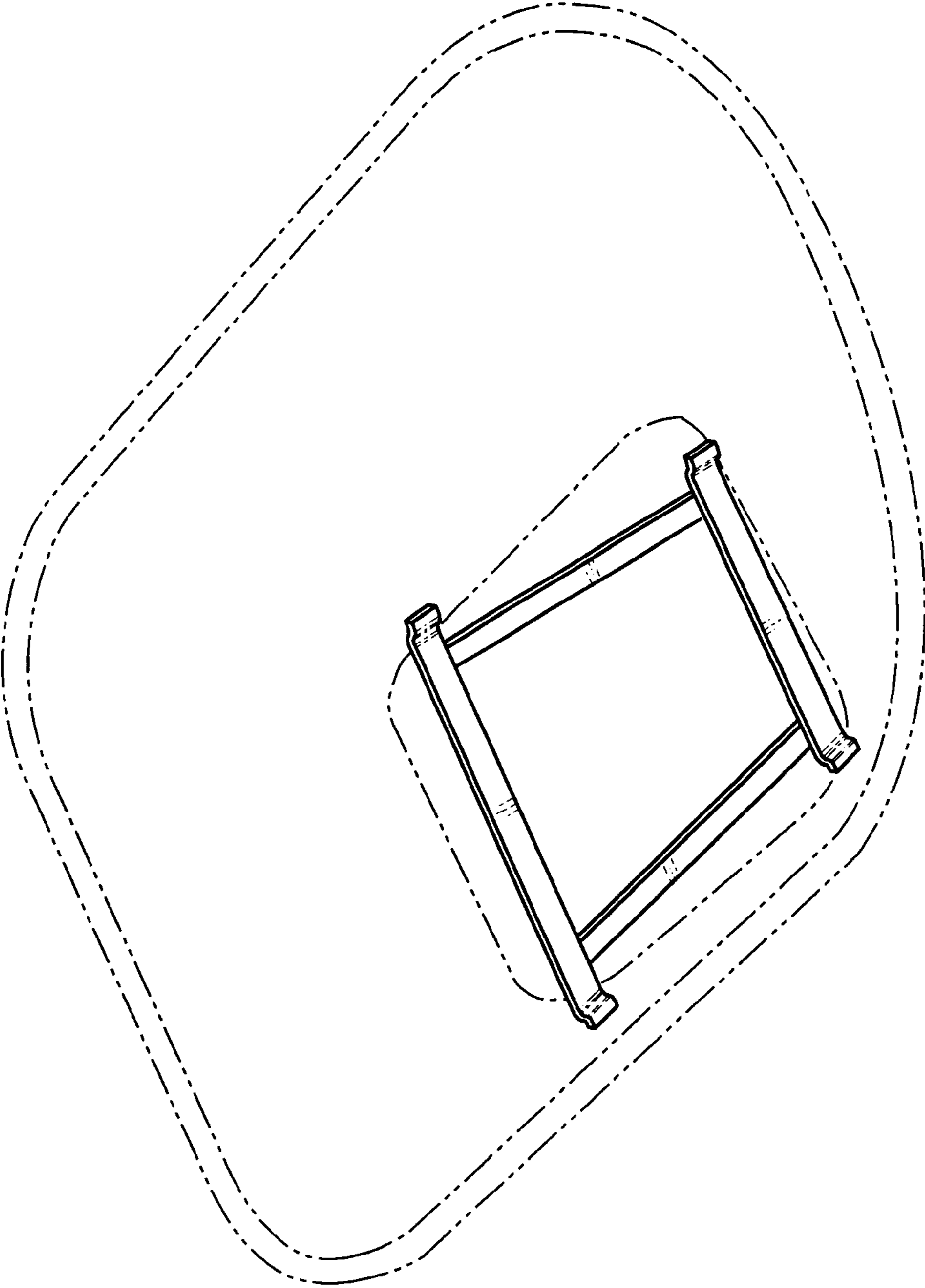


Fig. 1

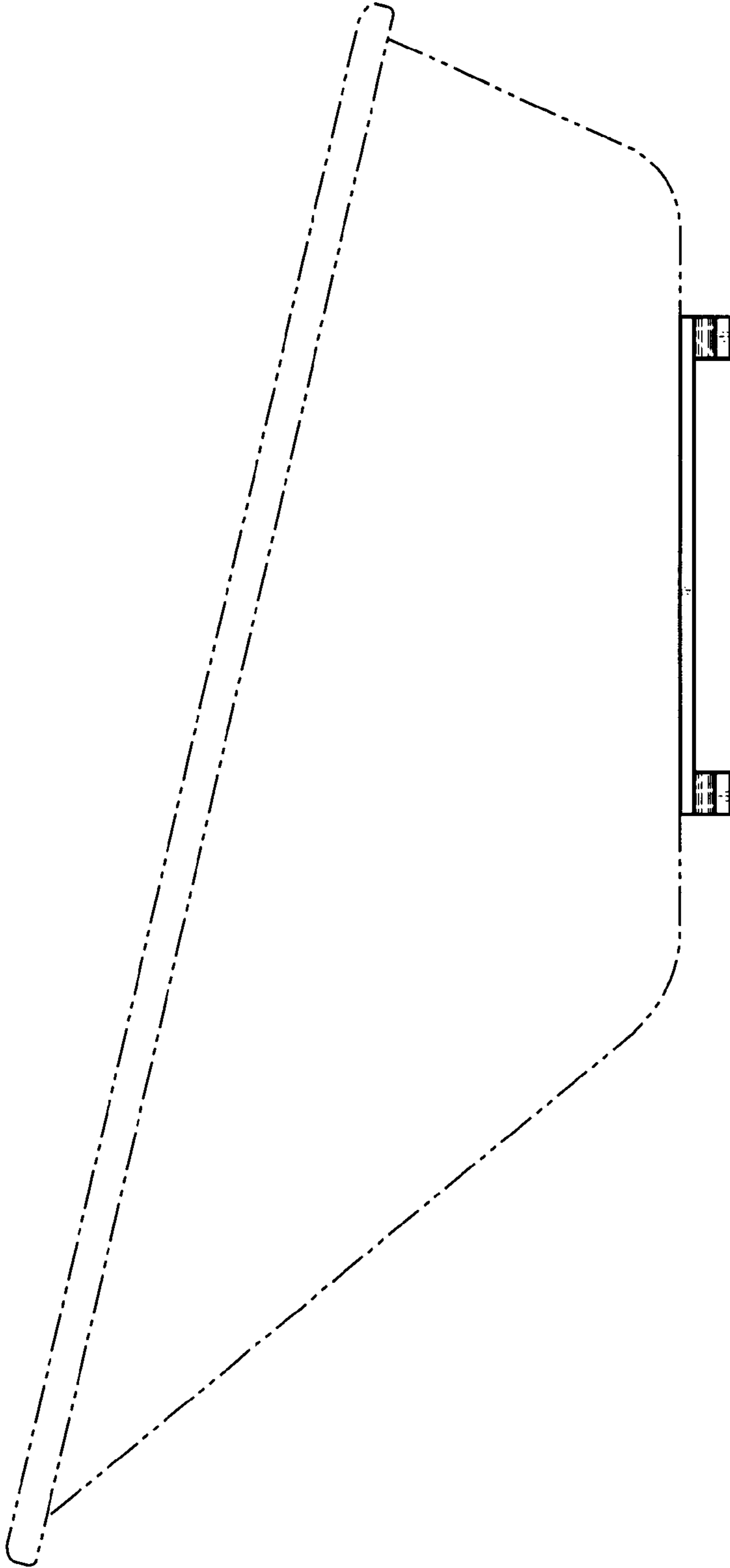


Fig. 2

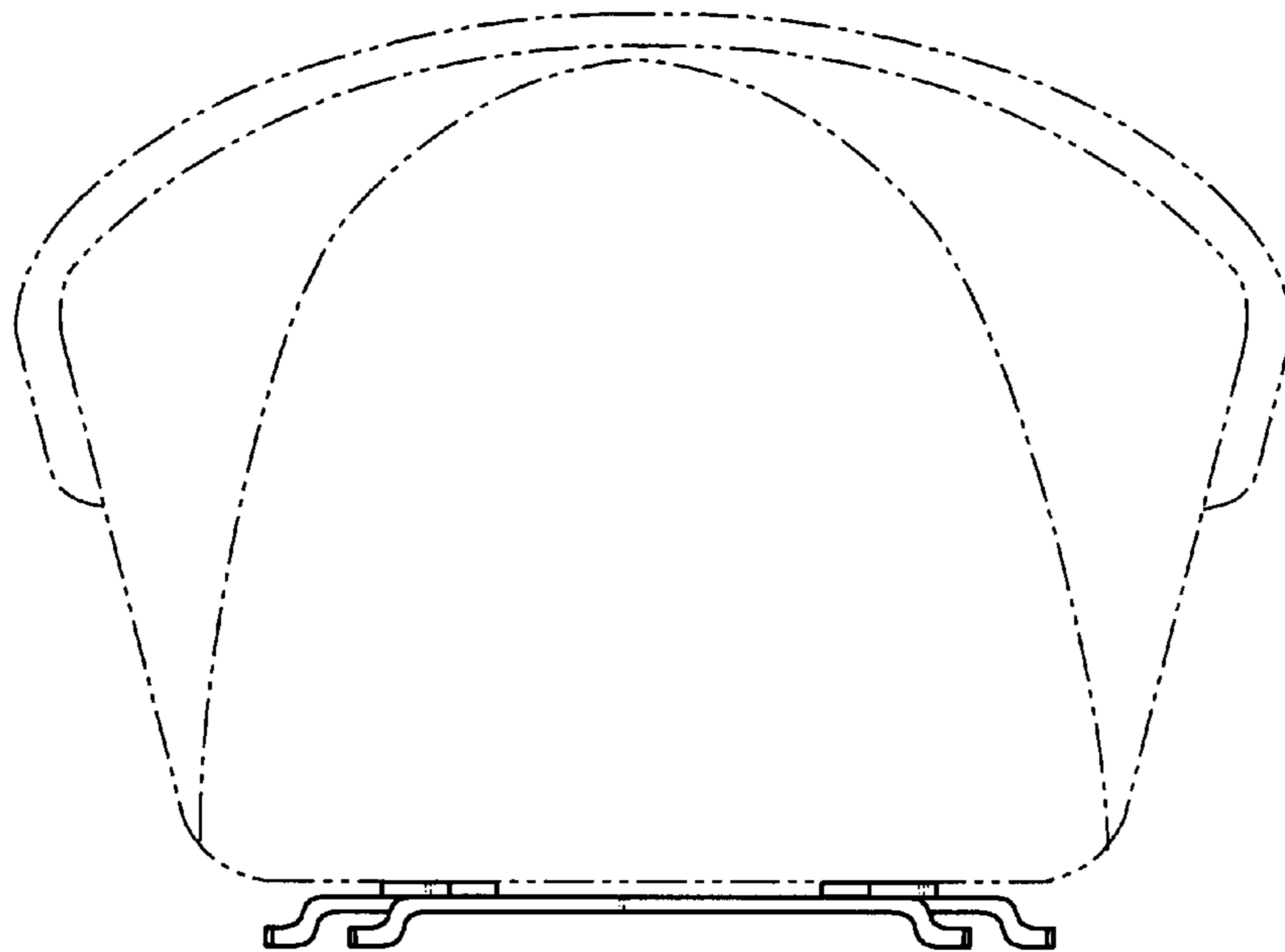


Fig. 3

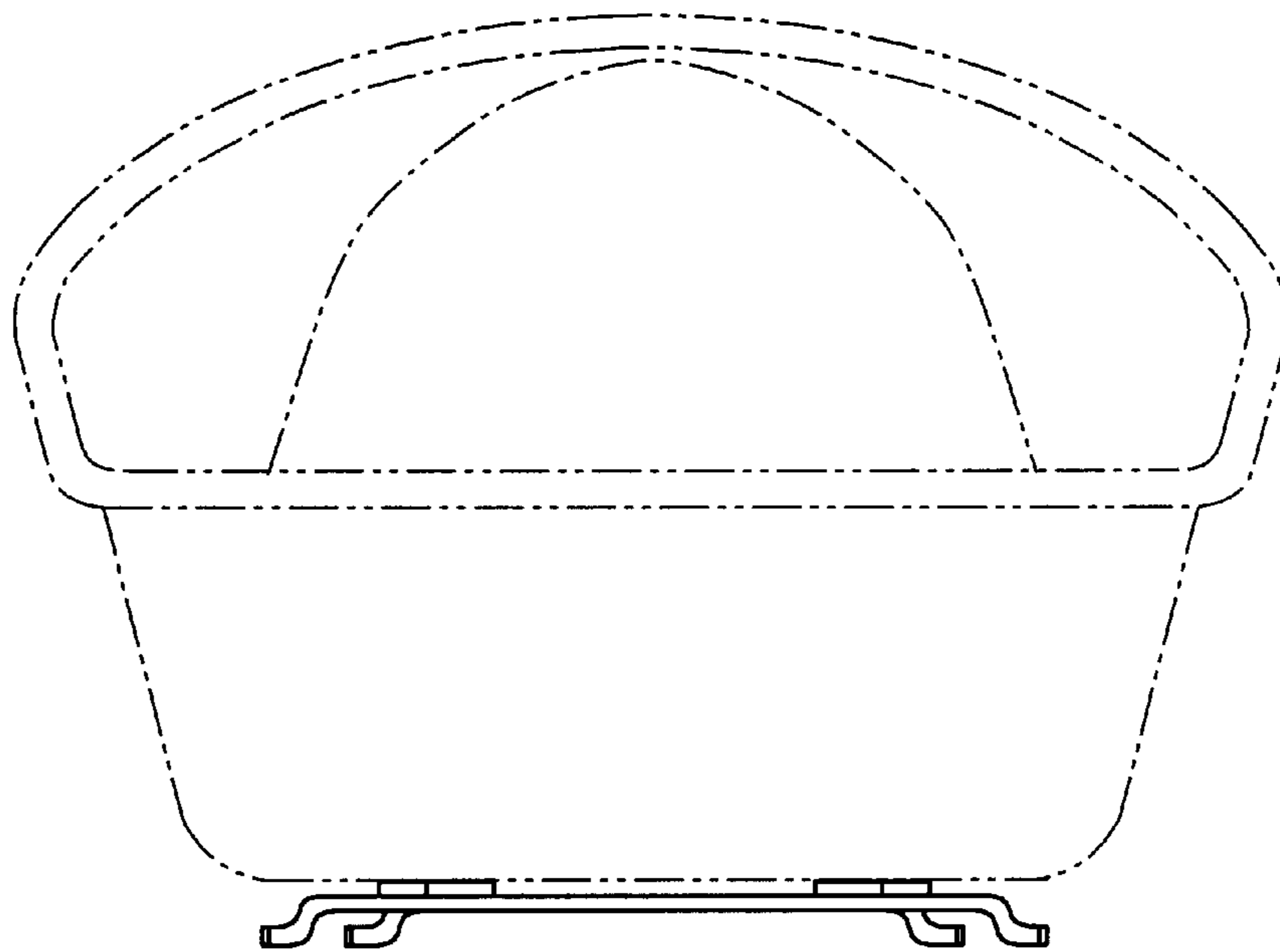


Fig. 4

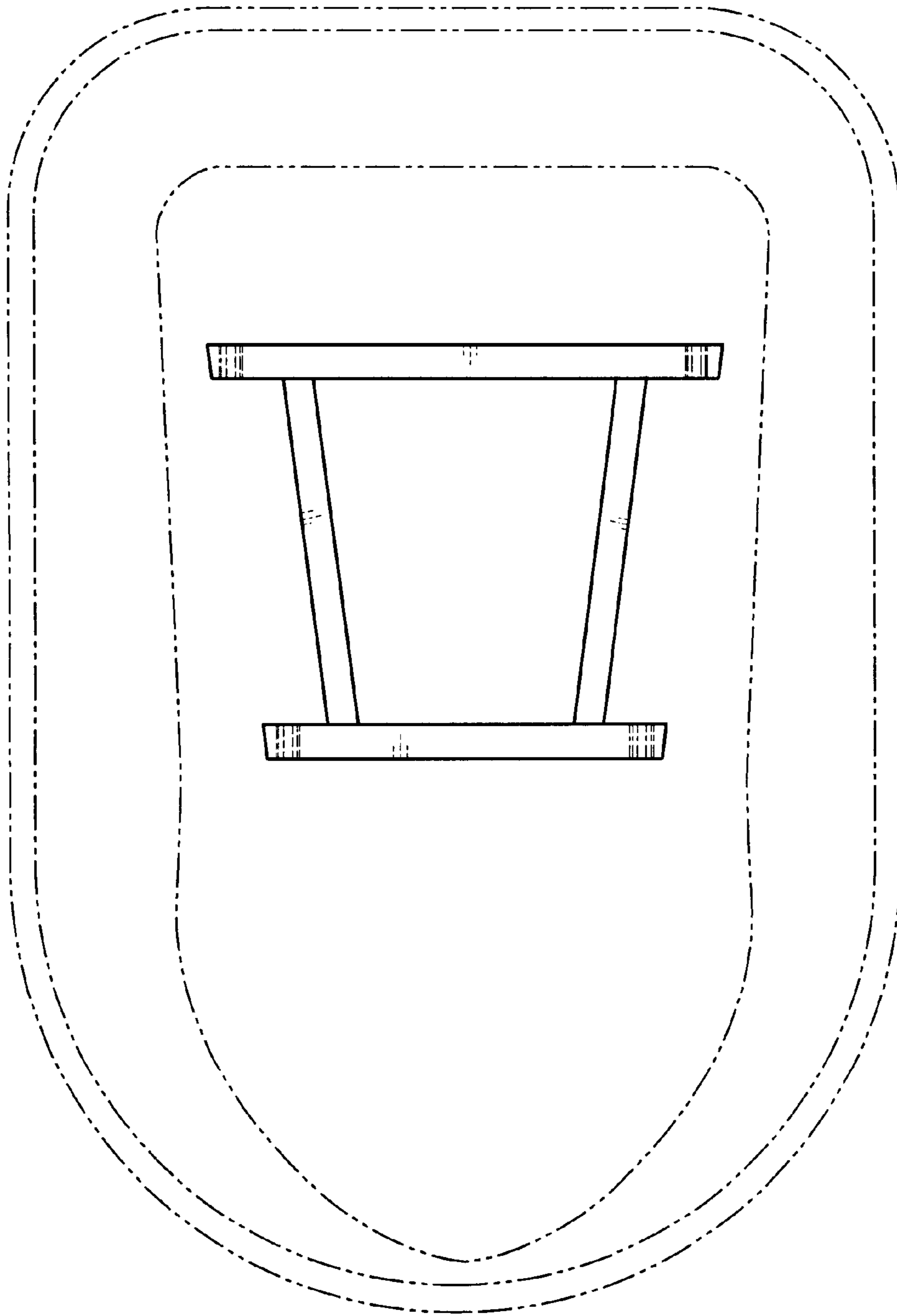


Fig. 5

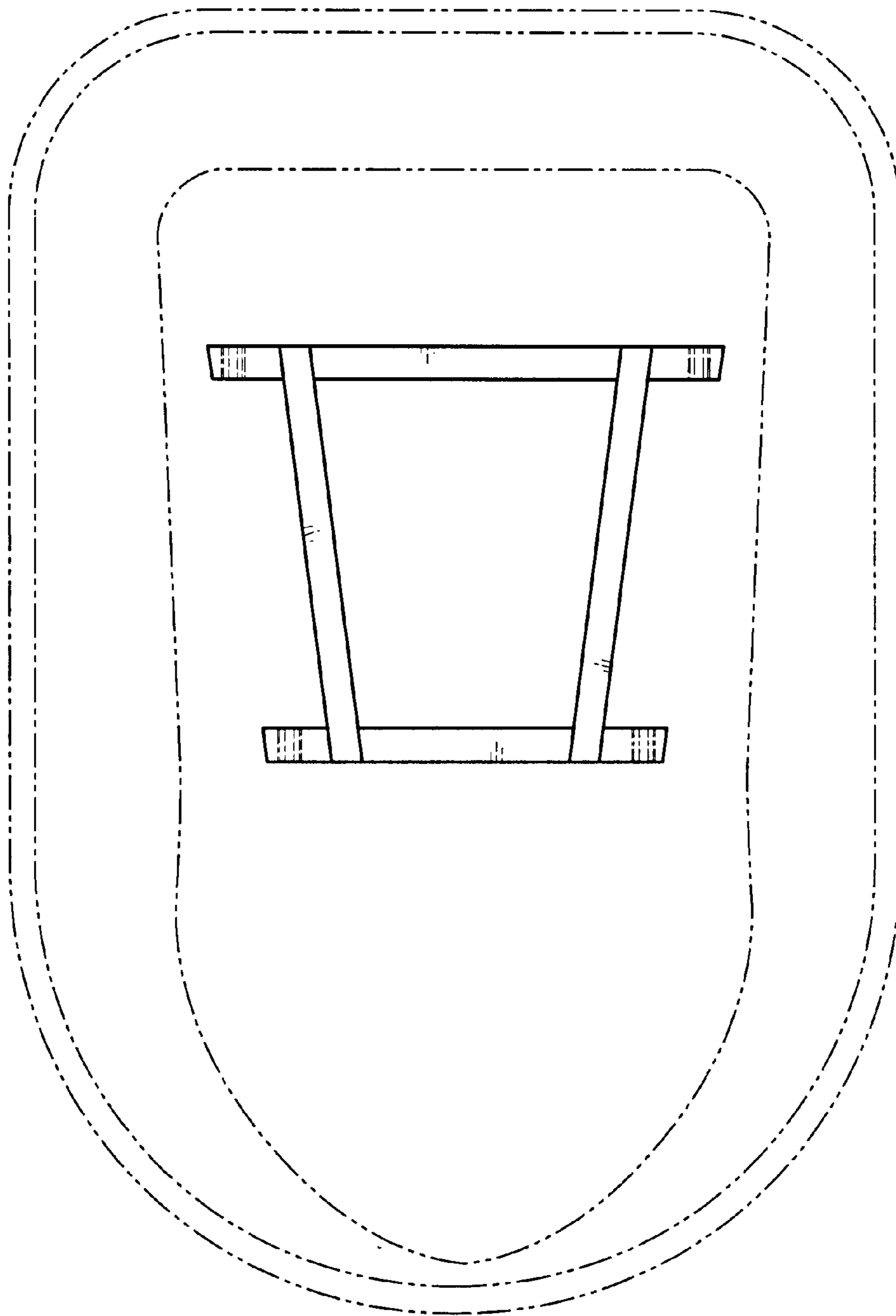


Fig. 6