

US00D527984S

(12) **United States Design Patent**
Dinh

(10) **Patent No.:** **US D527,984 S**

(45) **Date of Patent:** **** Sep. 12, 2006**

(54) **WALL PLATE ASSEMBLY**

(75) Inventor: **Cong Thanh Dinh**, Collierville, TN
(US)

(73) Assignee: **Thomas & Betts International, Inc.**,
Sparks, NV (US)

(**) Term: **14 Years**

(21) Appl. No.: **29/211,493**

(22) Filed: **Aug. 17, 2004**

(51) **LOC (8) Cl.** **11-05**

(52) **U.S. Cl.** **D8/353**

(58) **Field of Classification Search** D8/350–353;
D13/156, 177, 152, 154, 158, 173, 169, 171,
D13/139.1–139.8; D14/159; D25/60; 379/167;
439/536; 177/66, 67; 220/241, 242, 3.7, 3.8;
174/55

See application file for complete search history.

5,486,650 A	1/1996	Yetter
5,574,256 A	11/1996	Cottone
5,598,998 A	2/1997	Lynn
5,651,696 A	7/1997	Jennison
D401,566 S	* 11/1998	Gesmondi et al. D13/177
5,934,917 A	8/1999	Haut
6,026,605 A	2/2000	Tippett
6,093,890 A	7/2000	Gretz
6,102,360 A	8/2000	Clegg et al.
6,127,630 A	10/2000	McKenzie et al.
6,147,304 A	11/2000	Doherty
6,194,657 B1	2/2001	Gretz
6,200,159 B1	3/2001	Chou
6,207,895 B1	3/2001	Engel

(Continued)

Primary Examiner—Stella Reid
Assistant Examiner—Mark Goodwin
(74) *Attorney, Agent, or Firm*—Hoffman & Baron, LLP

(57) **CLAIM**

The ornamental design for a wall plate assembly, as shown and described.

(56) **References Cited**

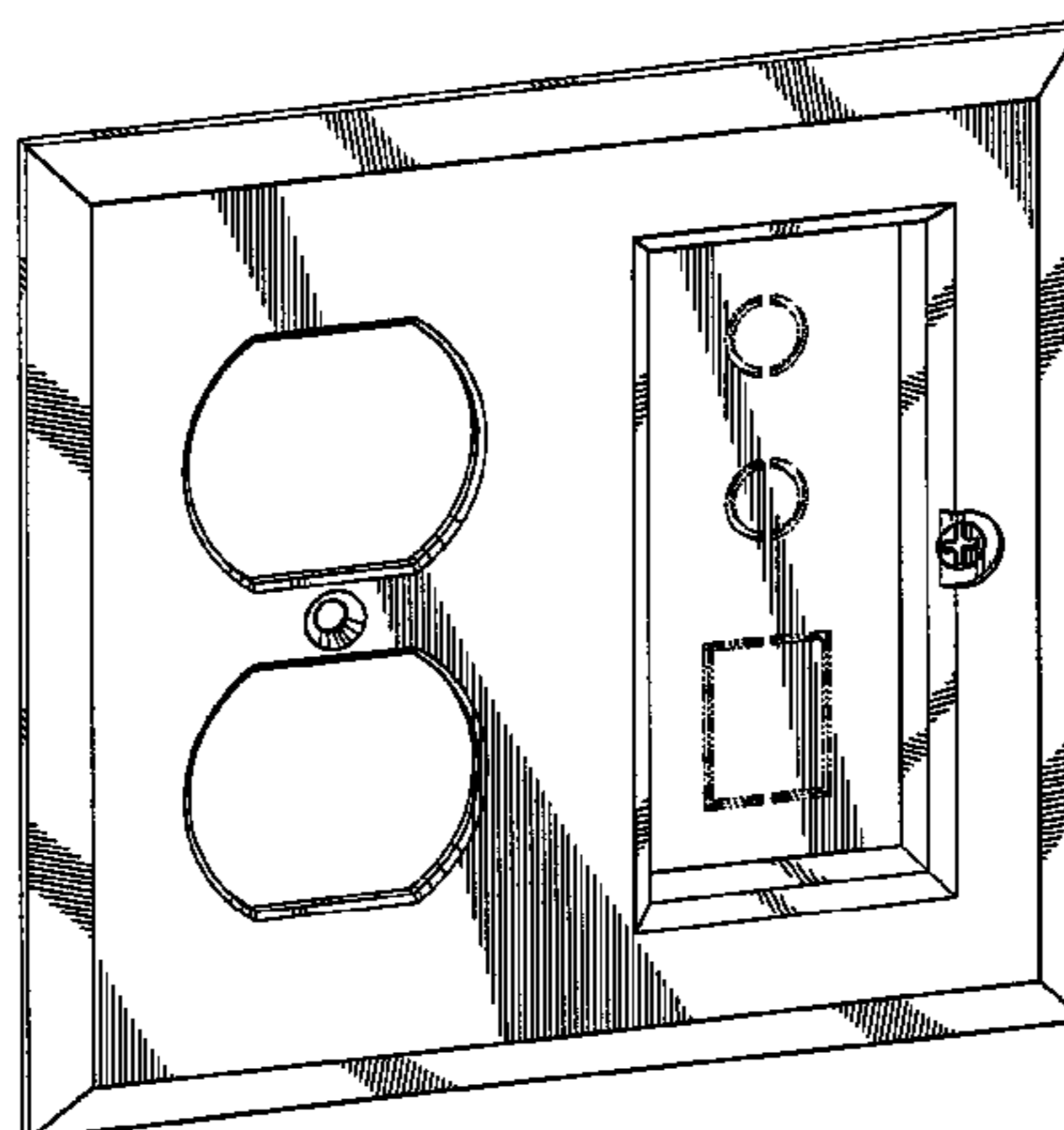
U.S. PATENT DOCUMENTS

1,694,054 A	12/1928	Both
2,828,394 A	3/1958	Mayzik
3,530,230 A	9/1970	Cormier et al.
4,059,327 A	11/1977	Vann
4,451,108 A	5/1984	Skidmore
4,559,410 A	12/1985	Hostetter
4,603,229 A	7/1986	Menchetti
4,613,728 A	9/1986	Lathrop
4,642,418 A	2/1987	Menchetti
4,758,687 A	7/1988	Lathrop
4,778,399 A	10/1988	Schenk
D308,464 S	6/1990	Freeman et al.
4,972,045 A	11/1990	Primeau
4,988,832 A	1/1991	Shotey
5,114,365 A	5/1992	Thompson et al.
5,117,122 A	5/1992	Hogarth et al.
5,243,134 A	9/1993	Nattel
5,257,946 A	11/1993	MacMillan et al.
D343,825 S	2/1994	Enderby
D348,870 S	7/1994	Warrington
5,419,716 A	5/1995	Sciammarella et al.

DESCRIPTION

FIG. 1 is a front perspective view of the wall plate assembly of the present invention;
FIG. 2 is a rear perspective view of the wall plate assembly of FIG. 1;
FIG. 3 is a front elevation view of the wall plate assembly of FIG. 1;
FIG. 4 is a rear elevation view of the wall plate assembly of FIG. 1;
FIG. 5 is a right side elevation view of the wall plate assembly of FIG. 1;
FIG. 6 is a left side elevation view of the wall plate assembly of FIG. 1;
FIG. 7 is a top plan view of the wall plate assembly of FIG. 1; and,
FIG. 8 is a bottom plan view of the wall plate assembly of FIG. 1.
The broken lines in FIGS. 1–4 represents a border for cutouts.

1 Claim, 6 Drawing Sheets



US D527,984 S

Page 2

U.S. PATENT DOCUMENTS								
6,222,124	B1	4/2001	Pritchard et al.	6,545,218	B1 *	4/2003	Blaess	174/67
6,346,674	B1	2/2002	Gretz	6,566,602	B1	5/2003	Miller et al.	
6,414,906	B1	7/2002	Gaspari	6,637,166	B1	10/2003	Kinsey	
D462,939	S	9/2002	Ding	6,753,471	B1	6/2004	Johnson et al.	
6,444,906	B1	9/2002	Lewis	6,872,887	B1	3/2005	Shotey et al.	
D463,969	S	10/2002	Luu	2005/0183873	A1	8/2005	Gottardo et al.	

* cited by examiner

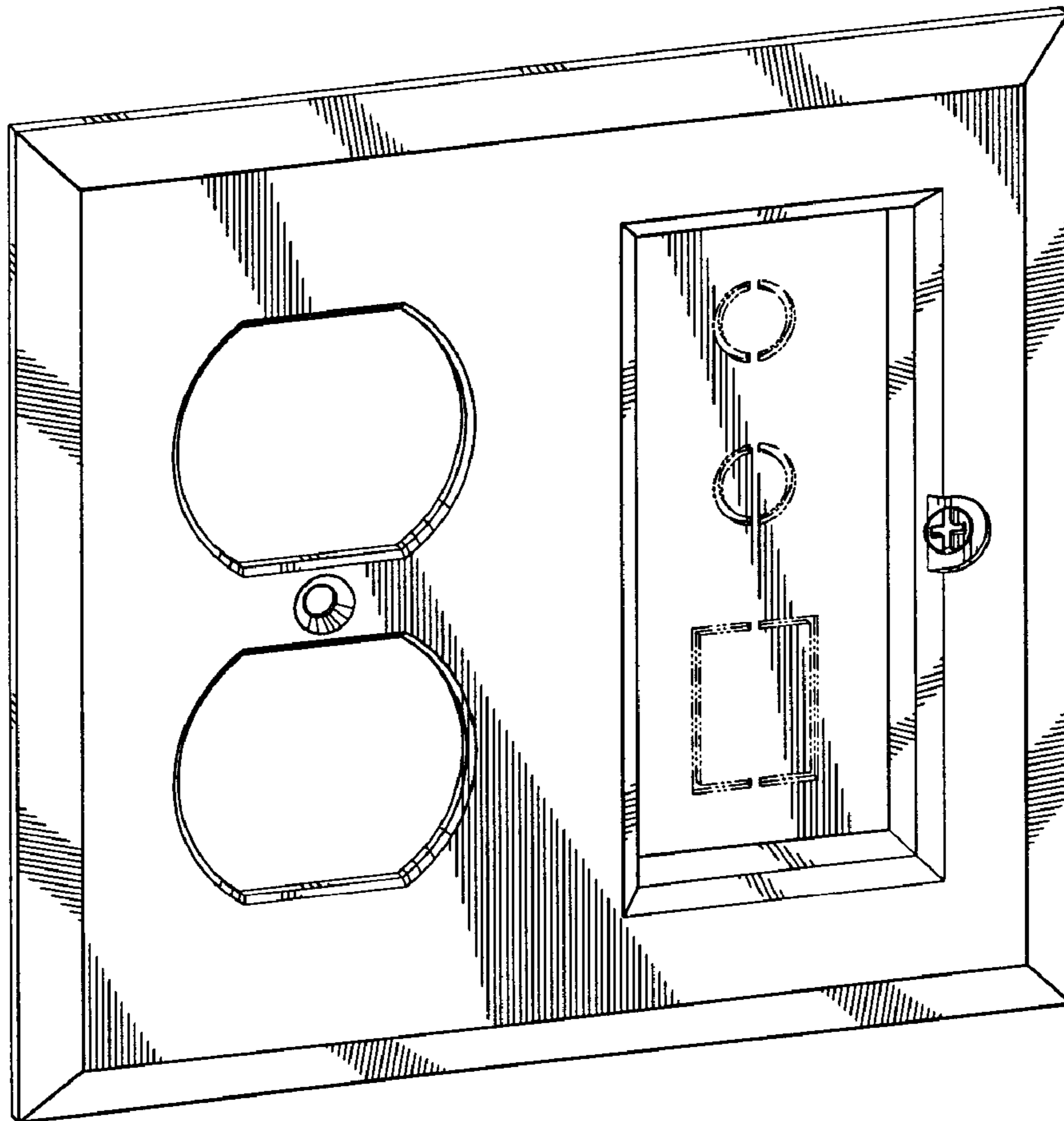


FIG. 1

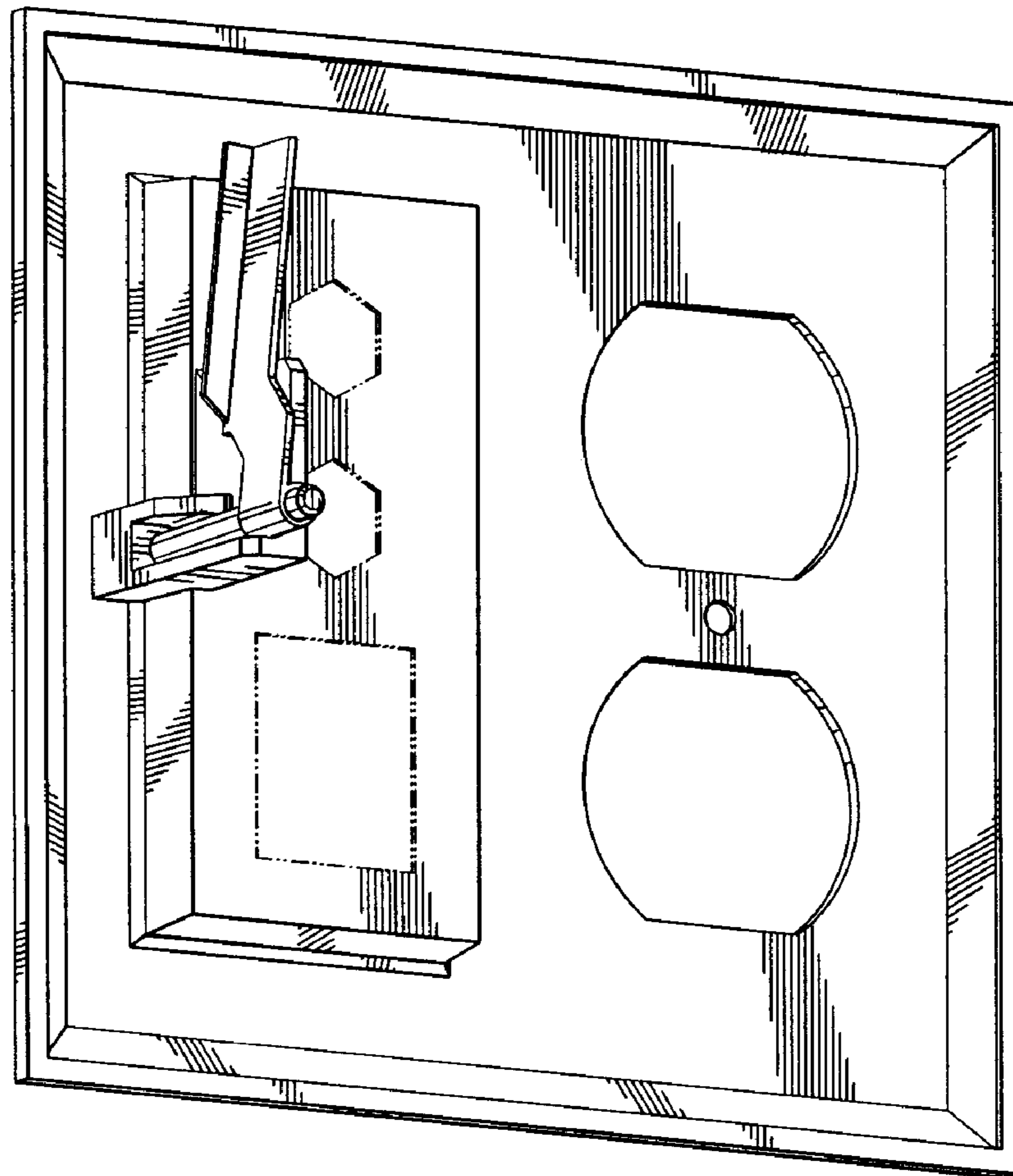


FIG. 2

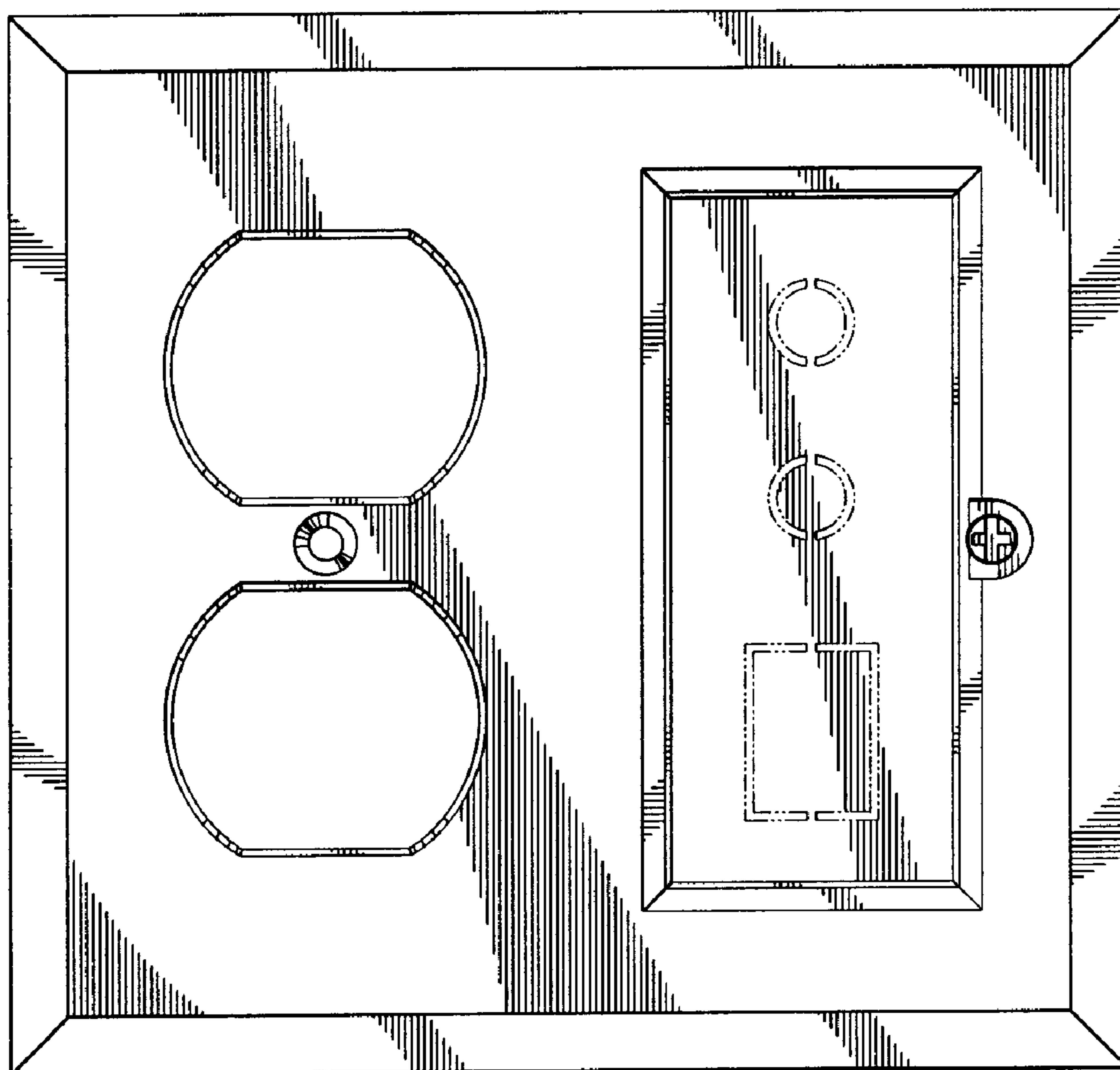


FIG. 3

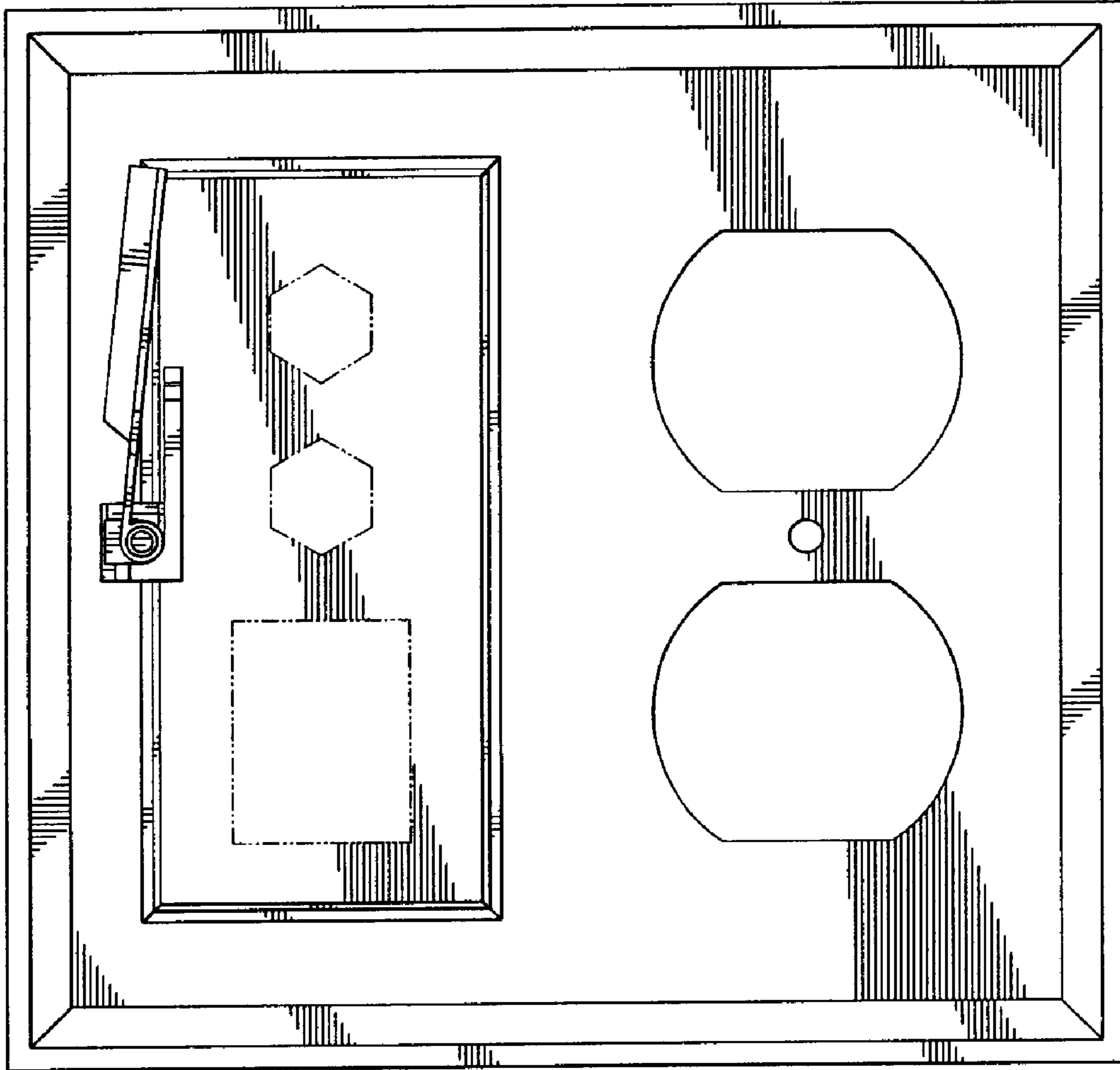


FIG. 4

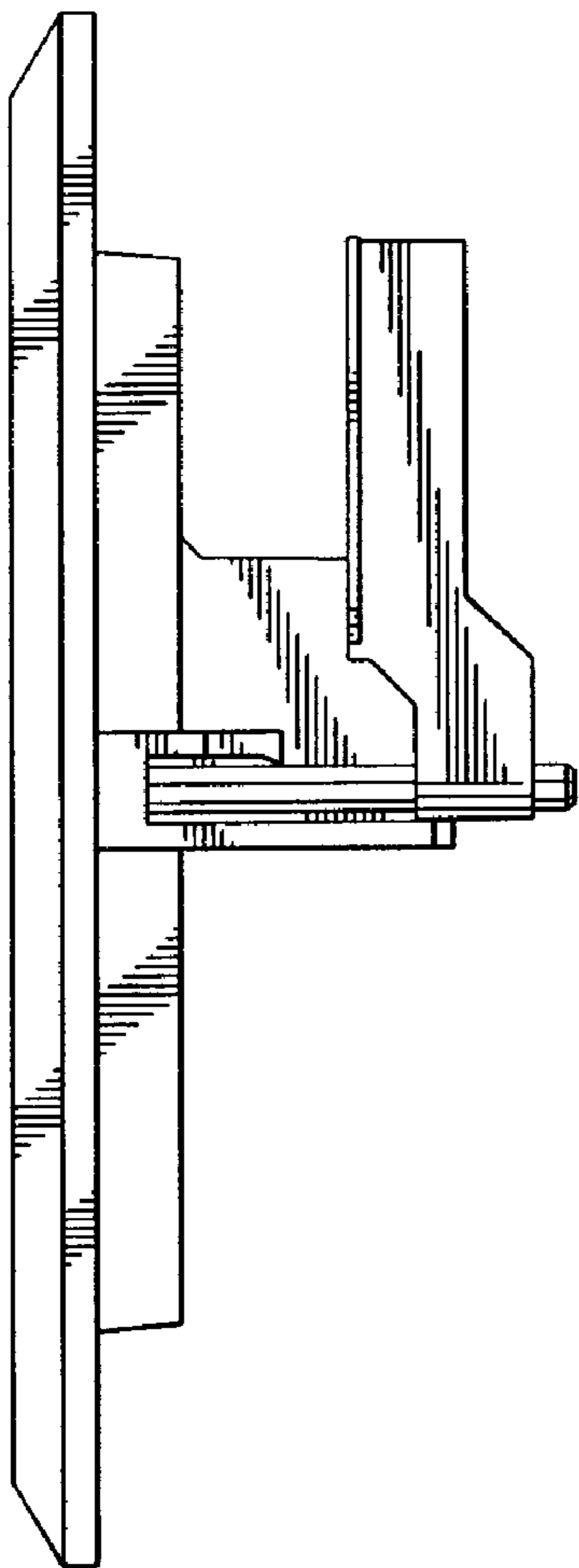


FIG. 5

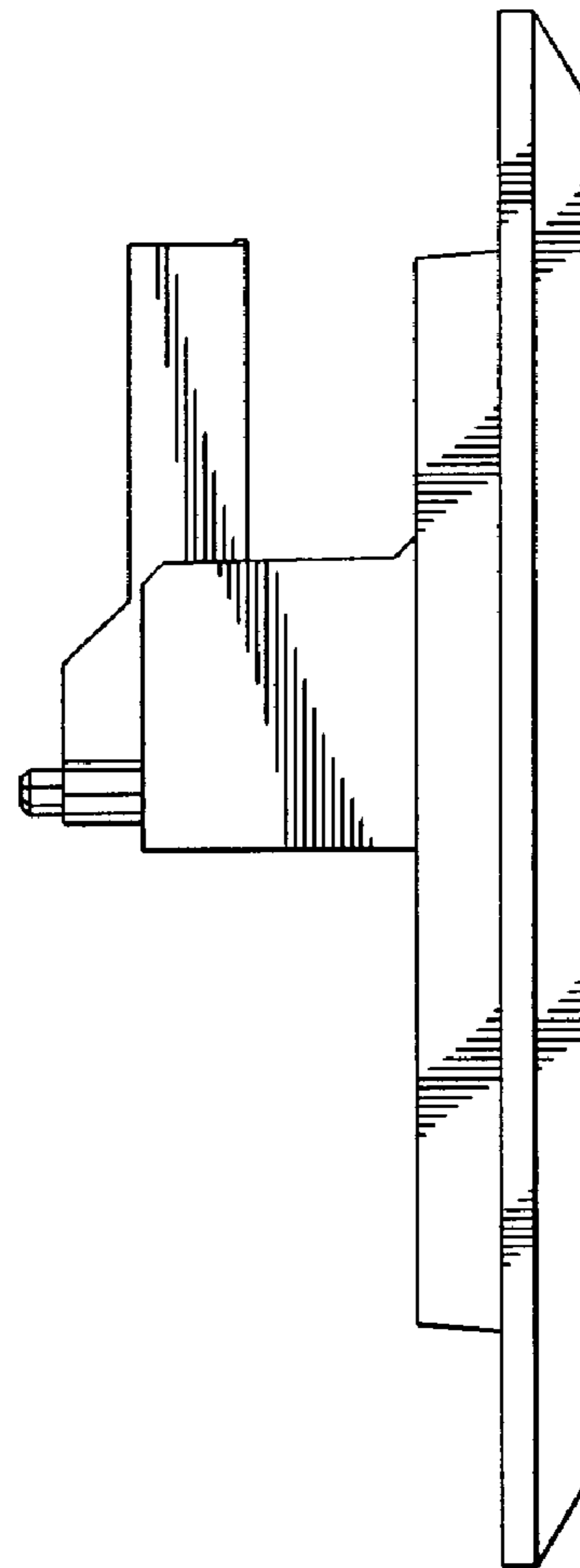


FIG. 6



FIG. 7

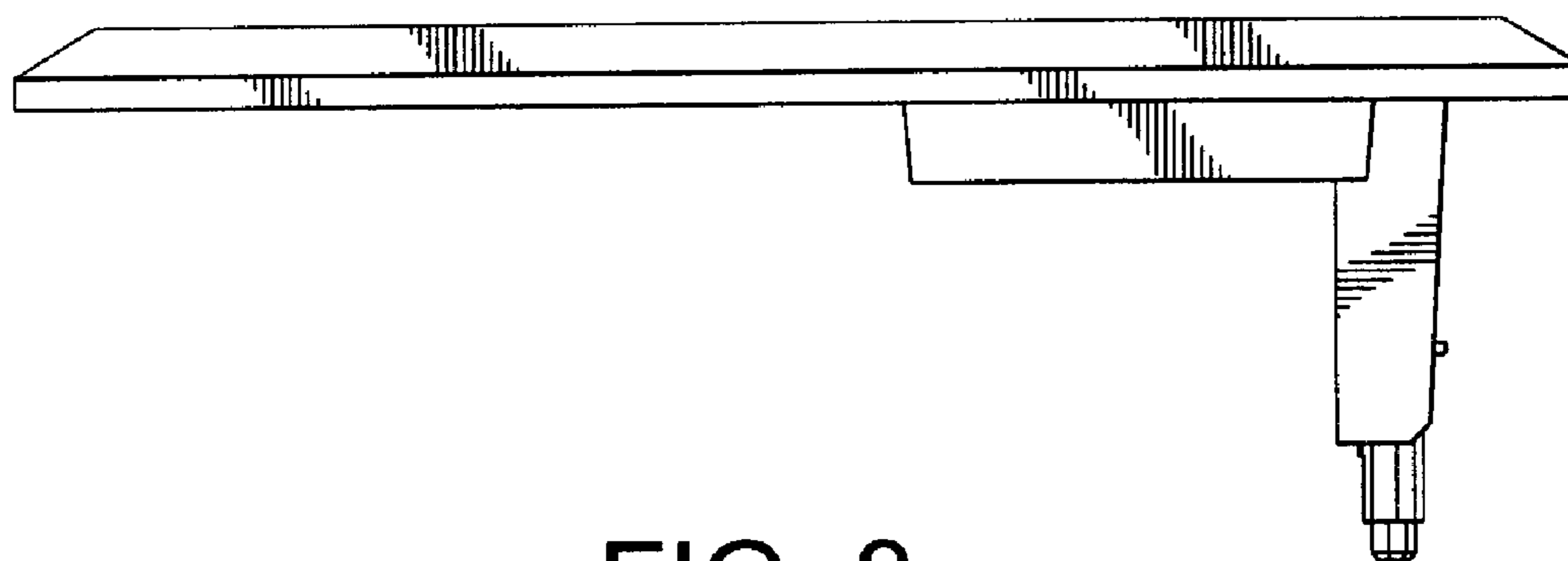


FIG. 8