

US00D527983S

(12) **United States Design Patent**  
**Soriano**

(10) **Patent No.:** **US D527,983 S**

(45) **Date of Patent:** **\*\* Sep. 12, 2006**

- (54) **HINGE**
  - (75) Inventor: **Bryan Soriano**, Baldwin Park, CA (US)
  - (73) Assignee: **Newfrey LLC**, Newark, DE (US)
  - (\*\*) Term: **14 Years**
  - (21) Appl. No.: **29/213,053**
  - (22) Filed: **Sep. 13, 2004**
  - (51) **LOC (8) Cl.** ..... **08-06**
  - (52) **U.S. Cl.** ..... **D8/328**
  - (58) **Field of Classification Search** ..... D8/323,  
D8/324, 325, 326, 327, 328, 329, 349, 354,  
D8/356; 16/234–237, 239, 241, 245–246,  
16/249, 254, 261–262, 265, 272, 277, 307,  
16/319, 335, 339, 342, 379, 381–383, 384,  
16/385, 386, 387, 388, 389, 221, DIG. 13,  
16/DIG. 40, DIG. 43; 4/236, 237, 238, 239,  
4/240; D23/303; 248/200, 221.11, 300, 309.1,  
248/317; D7/334, 337, 402
- See application file for complete search history.

- D46,496 S 10/1914 Griffin
- D78,203 S 4/1929 Hamlett
- 2,817,871 A \* 12/1957 Ferry ..... 16/381
- D193,091 S 6/1962 Stocker, Jr.
- D206,115 S 11/1966 Yaskulka
- D207,484 S 4/1967 Amdal
- D225,823 S 1/1973 Chasen
- D225,825 S 1/1973 Chasen
- D226,602 S 4/1973 Chasen
- D246,430 S 11/1977 James
- D246,436 S 11/1977 Brezney
- D272,040 S 1/1984 Scanlan
- D272,597 S 2/1984 Cascone et al.
- 5,172,452 A \* 12/1992 Brown ..... 16/387
- D344,667 S 3/1994 Riblett et al.
- D352,678 S 11/1994 Fildan
- D376,971 S 12/1996 Schutz

**FOREIGN PATENT DOCUMENTS**

GB 2010086 S \* 10/1990

\* cited by examiner

*Primary Examiner*—Janice E. Seeger

*Assistant Examiner*—T. Chase Nelson

(74) *Attorney, Agent, or Firm*—Richard J. Veltman; John D. DelPonti

(56) **References Cited**

**U.S. PATENT DOCUMENTS**

- D3,354 S 1/1869 Fracker
- D6,949 S 10/1873 Bradley
- D7,245 S 3/1874 Steele
- 174,476 A \* 3/1876 Carleton ..... 16/307
- D9,573 S 10/1876 Clark
- D10,308 S 11/1877 Steele
- D11,267 S \* 6/1879 Barkentin ..... D8/328
- D11,634 S 2/1880 Jaworski
- D13,511 S 2/1883 Lochner
- D13,568 S 2/1883 Barkentin
- D14,536 S 1/1884 Kennedy
- D14,928 S 4/1884 Keil
- D15,012 S 5/1884 Sparks
- D16,205 S 8/1885 Jaworski
- D17,255 S 4/1887 Barkentin
- D19,444 S 11/1889 Barkentin
- D20,082 S 8/1890 Barkentin
- D20,895 S 6/1891 Christensen
- D24,137 S 3/1895 Held
- D25,508 S 5/1896 Wanner, Jr.
- 1,003,618 A \* 9/1911 Laski ..... 4/236

(57) **CLAIM**

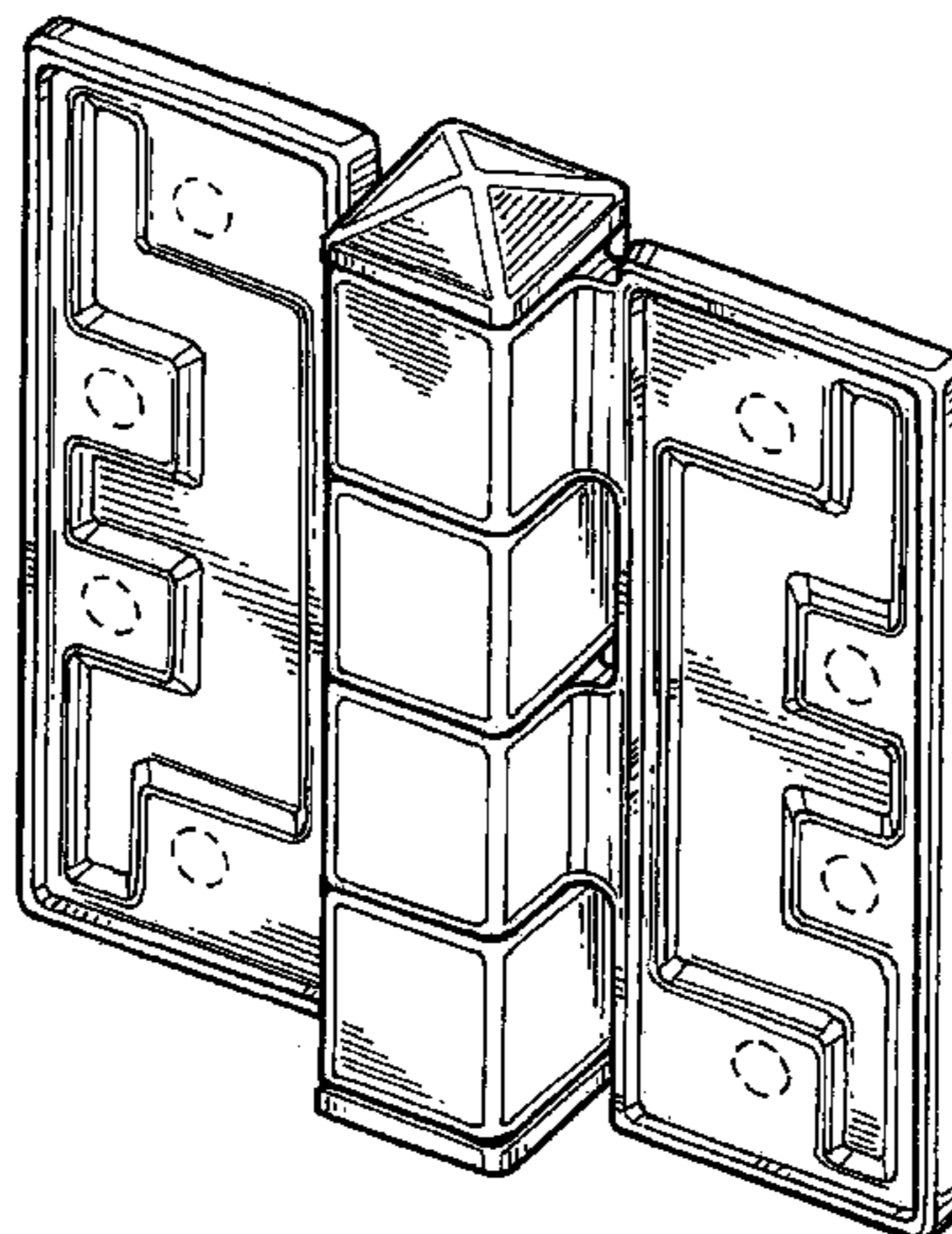
The ornamental design for a hinge, as shown and described.

**DESCRIPTION**

FIG. 1 is a perspective view of the new design for a hinge;  
 FIG. 2 is a top plan view of the new design for a hinge;  
 FIG. 3 is a bottom plan view of the new design for a hinge;  
 FIG. 4 is a front elevational view of the new design for a hinge;  
 FIG. 5 is a back elevational view of the new design for a hinge;  
 FIG. 6 is a right elevational view of the new design for a hinge; and,  
 FIG. 7 is a left elevational view of the new design for a hinge.

The broken lines in the Figures are for illustrative purposes only and form no part of the claimed design.

**1 Claim, 4 Drawing Sheets**



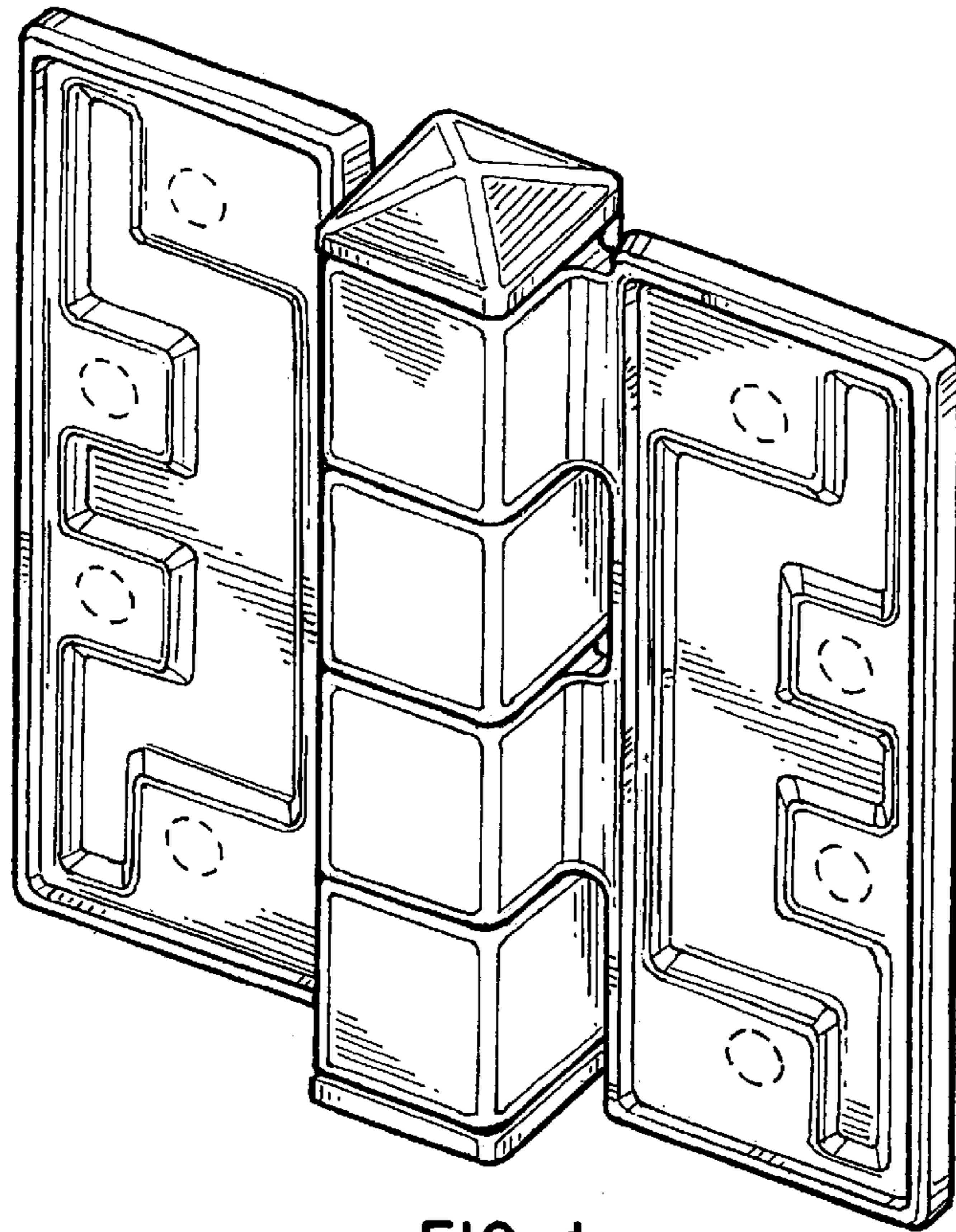


FIG. 1

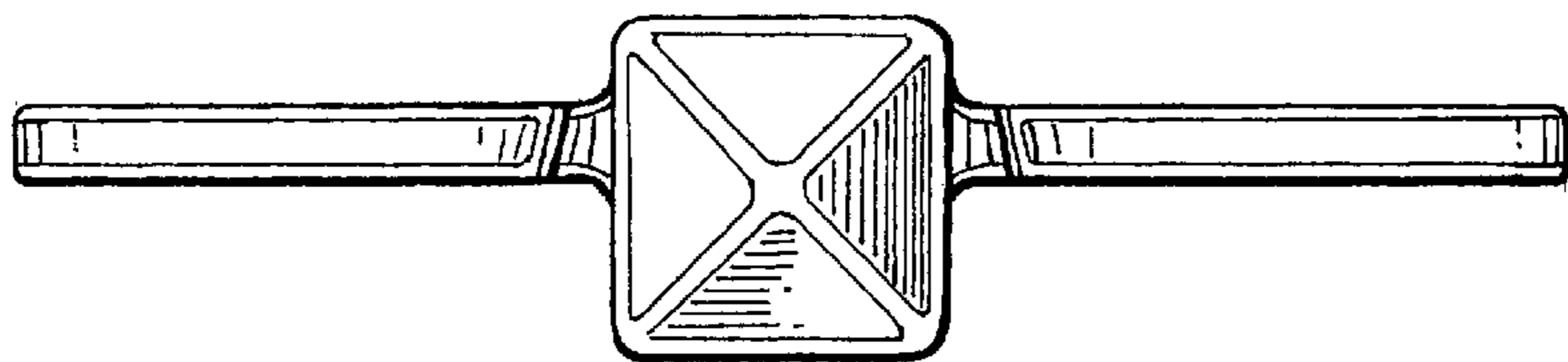


FIG. 2

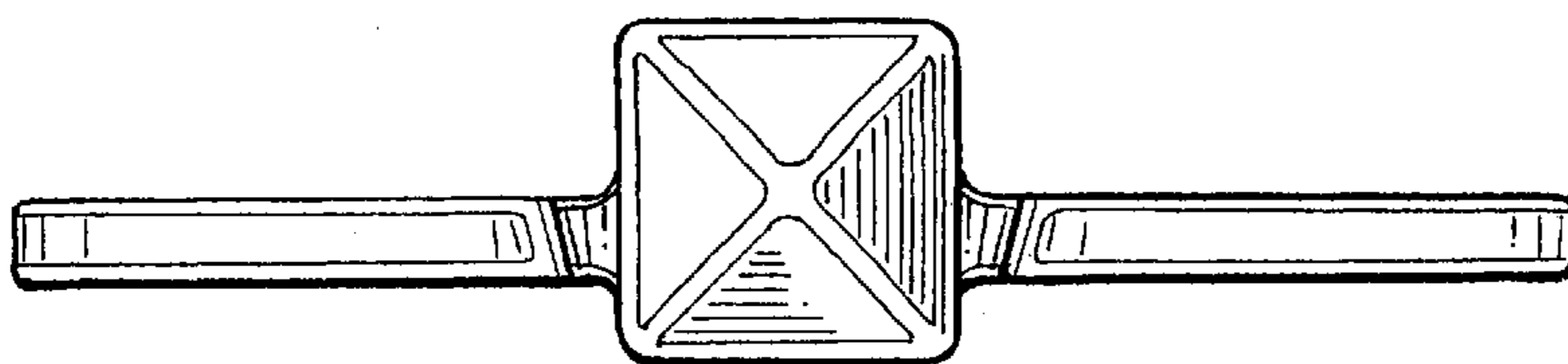


FIG. 3

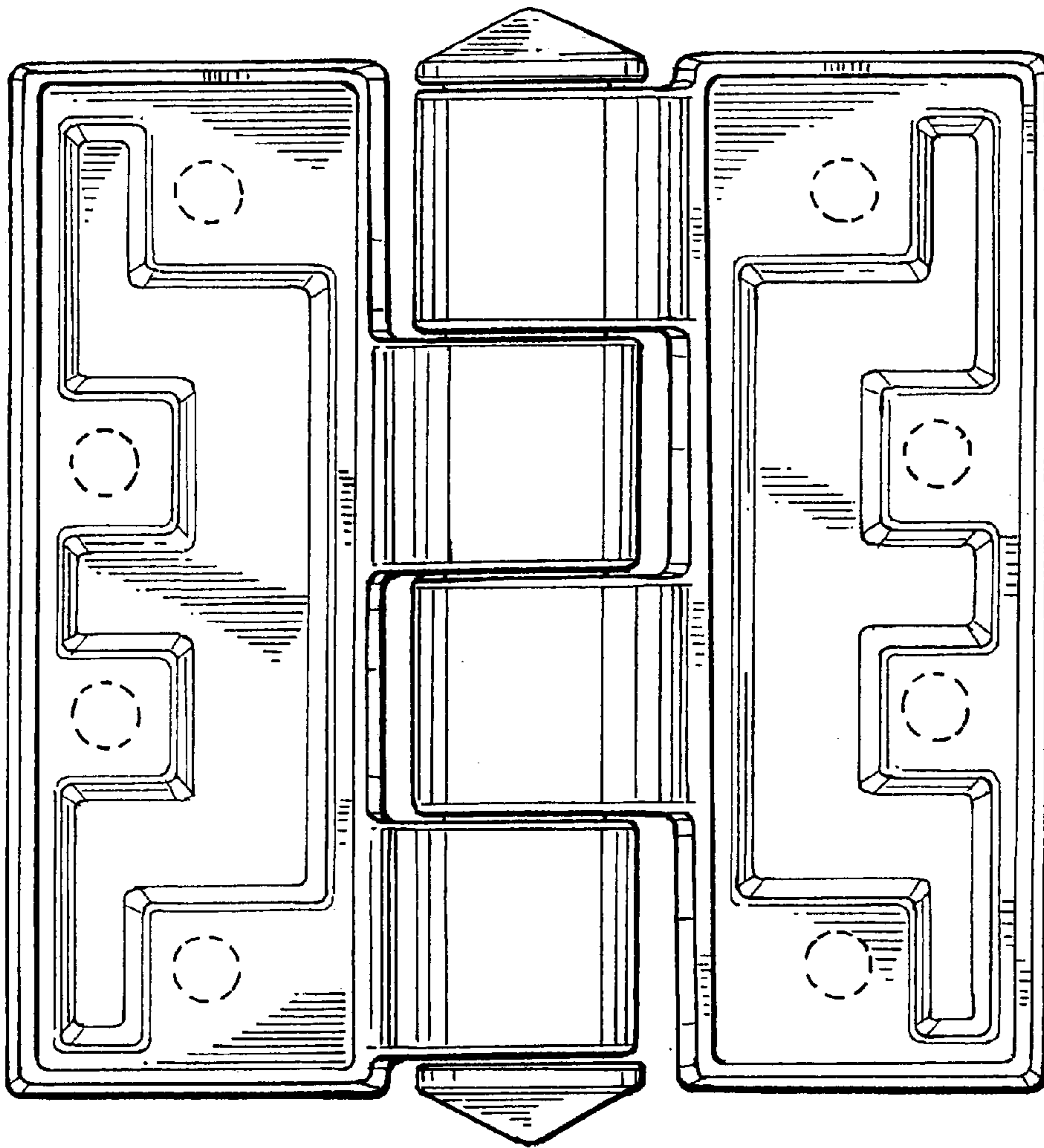


FIG. 4

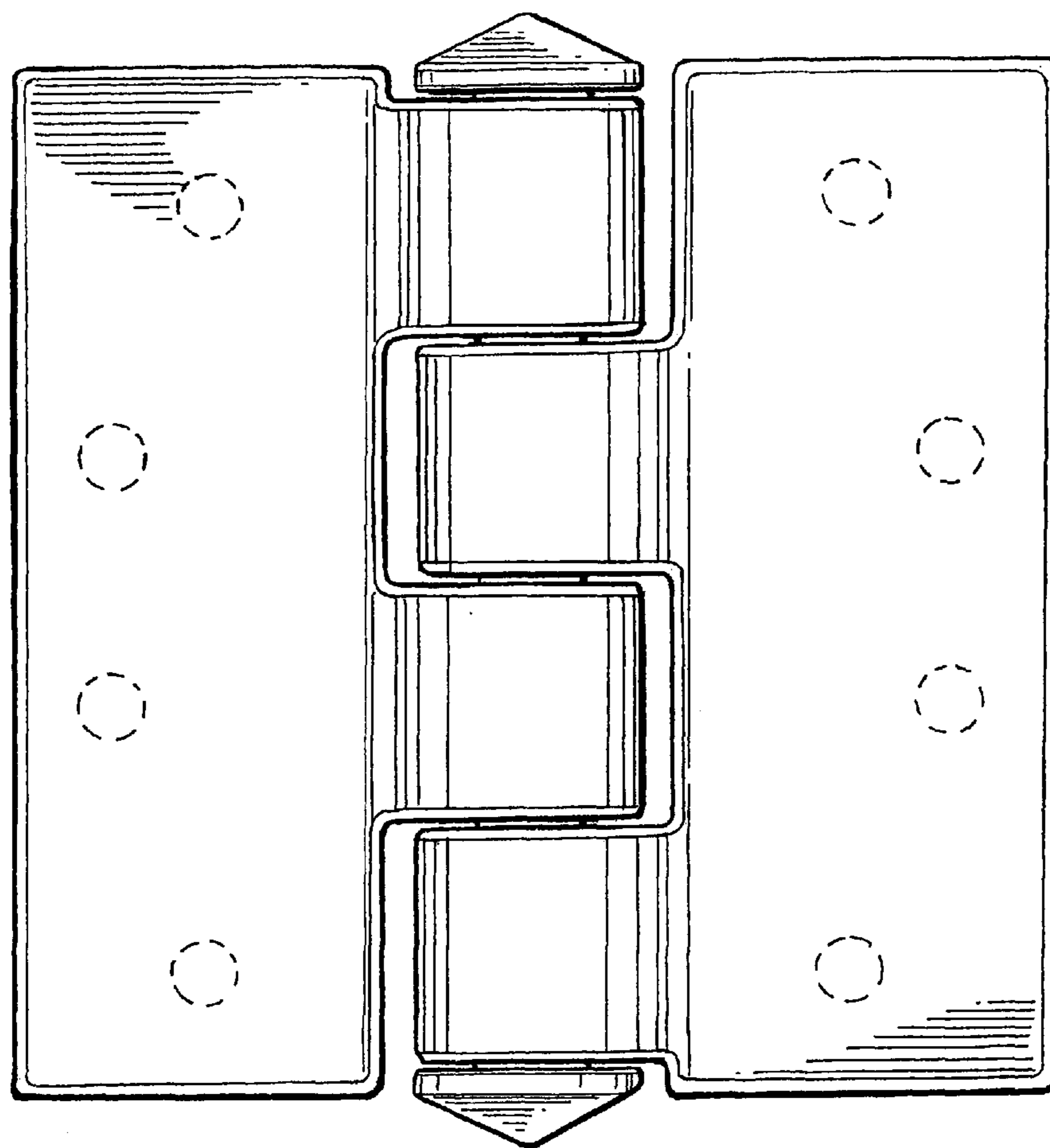


FIG. 5

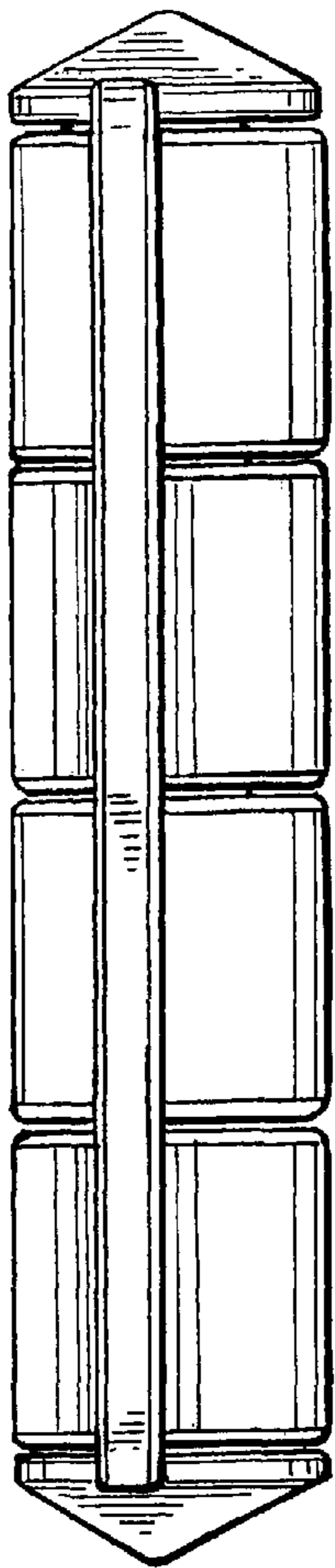


FIG. 6

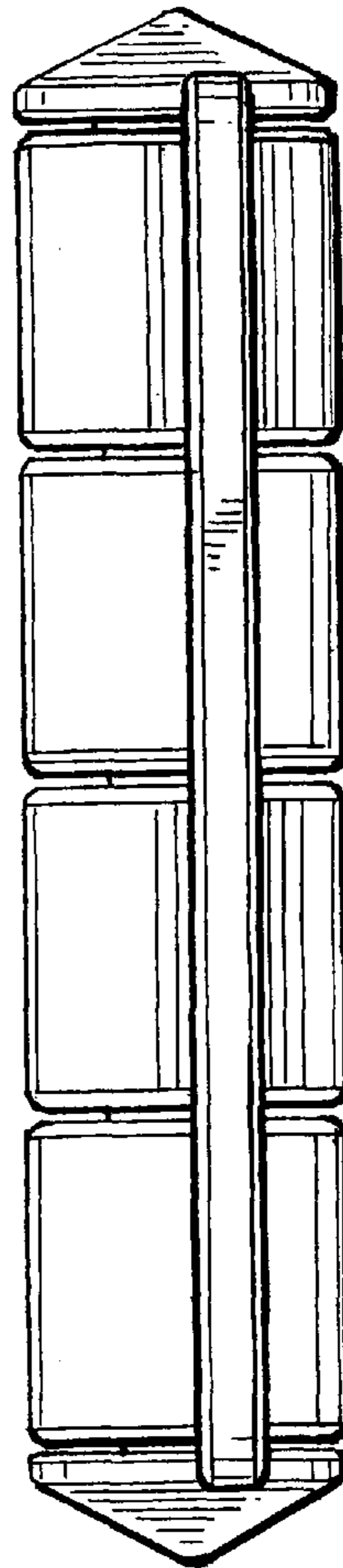


FIG. 7