

US00D527982S

(12) **United States Design Patent**
Brasnet

(10) **Patent No.:** **US D527,982 S**

(45) **Date of Patent:** **** Sep. 12, 2006**

(54) **KNOB**

(75) Inventor: **Jean-Francois Brasnet**, Annecy (FR)

(73) Assignee: **Tefal**, Rumilly (FR)

(**) Term: **14 Years**

(21) Appl. No.: **29/213,535**

(22) Filed: **Sep. 17, 2004**

(30) **Foreign Application Priority Data**

Mar. 19, 2004 (FR) 04 1407

(51) **LOC (8) Cl.** **08-06**

(52) **U.S. Cl.** **D8/317**

(58) **Field of Classification Search** D8/300,
D8/305, 315-320, 276-282; D7/393, 394,
D7/601, 619.1, 622; D3/276, 282, 318; 16/110.1,
16/415, 430, 431, 436; 190/100, 109, 110,
190/111-113, 115; 220/573.1-573.5, 752-755,
220/760, 912

See application file for complete search history.

(56) **References Cited**

U.S. PATENT DOCUMENTS

D28,324 S * 3/1898 Pritchard D7/394

D202,682 S * 10/1965 Goldman D8/317
D476,481 S * 7/2003 Gilbert D3/276
D480,911 S * 10/2003 Logiudice et al. D7/394
D482,929 S * 12/2003 Rae D7/394
D493,061 S * 7/2004 Rae D7/394

* cited by examiner

Primary Examiner—Paula A. Greene

(74) *Attorney, Agent, or Firm*—Harness, Dickey & Pierce,
PLC

(57) **CLAIM**

The ornamental design for a knob, as shown and described.

DESCRIPTION

FIG. 1 is a perspective view;

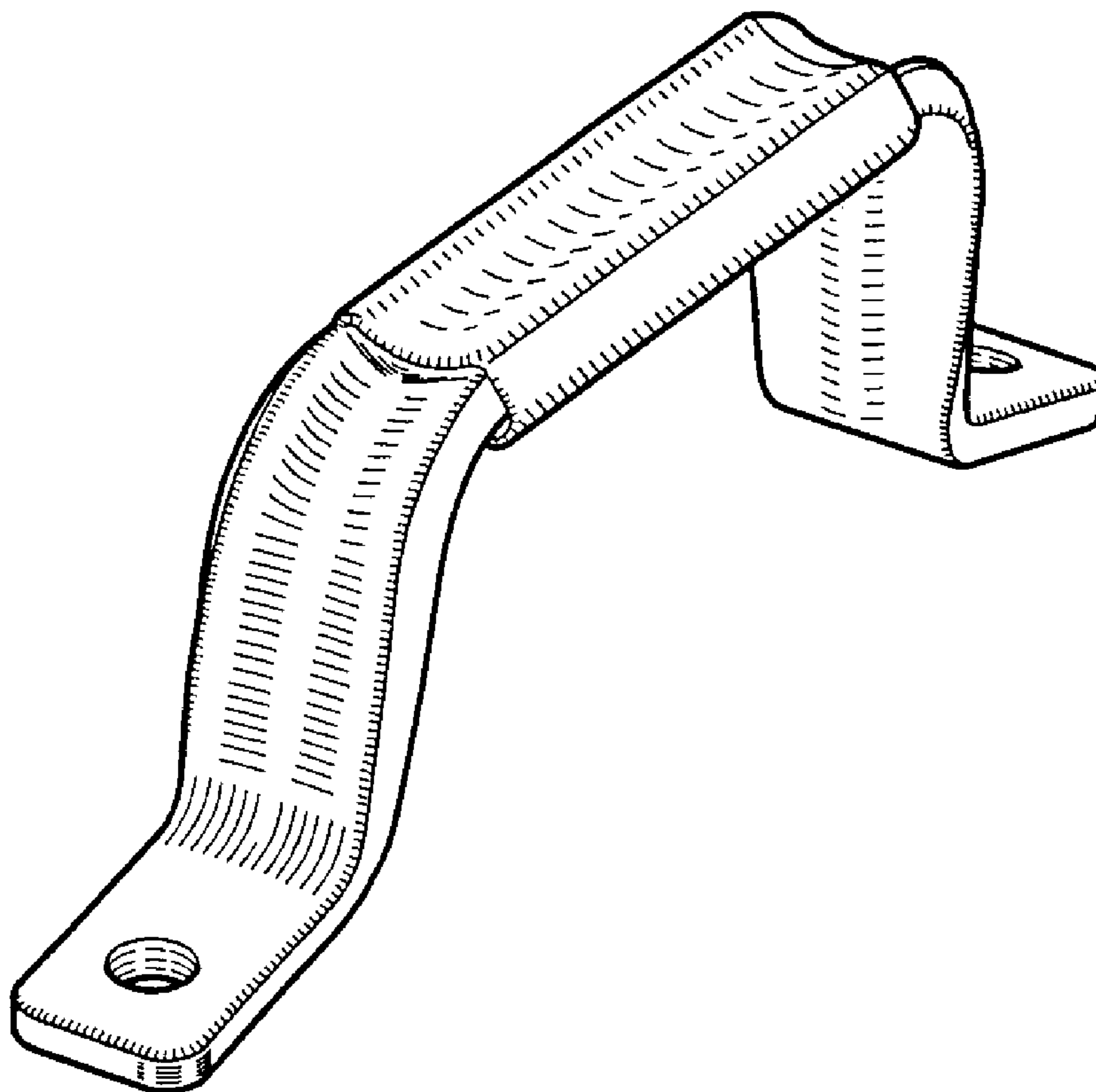
FIG. 2 is a top plan view;

FIG. 3 is a bottom view;

FIG. 4 is a front view; and,

FIG. 5 is a side view.

1 Claim, 5 Drawing Sheets



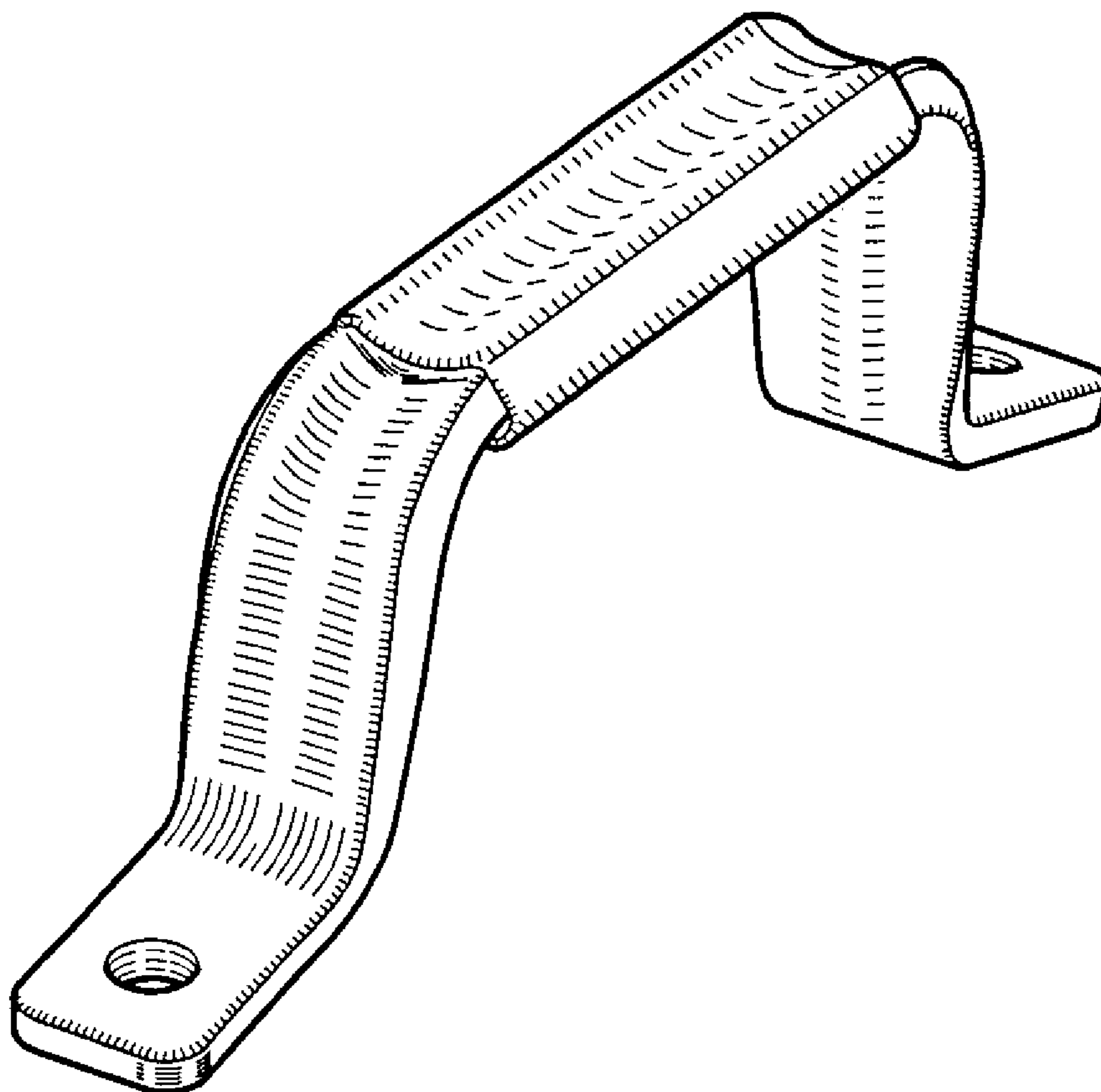


Fig. 1

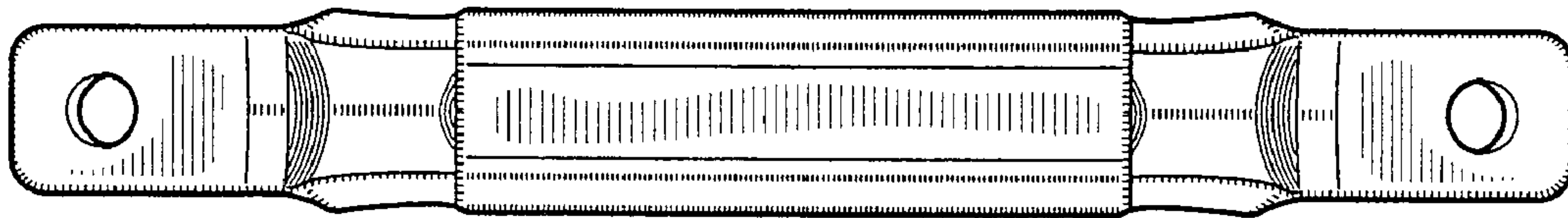


Fig. 2

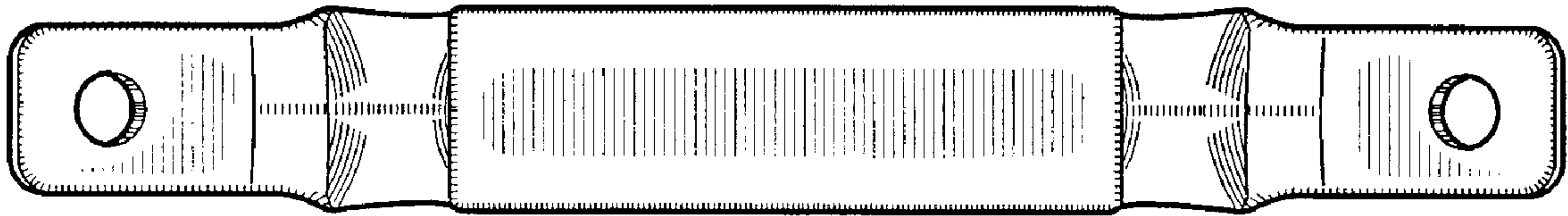


Fig. 3

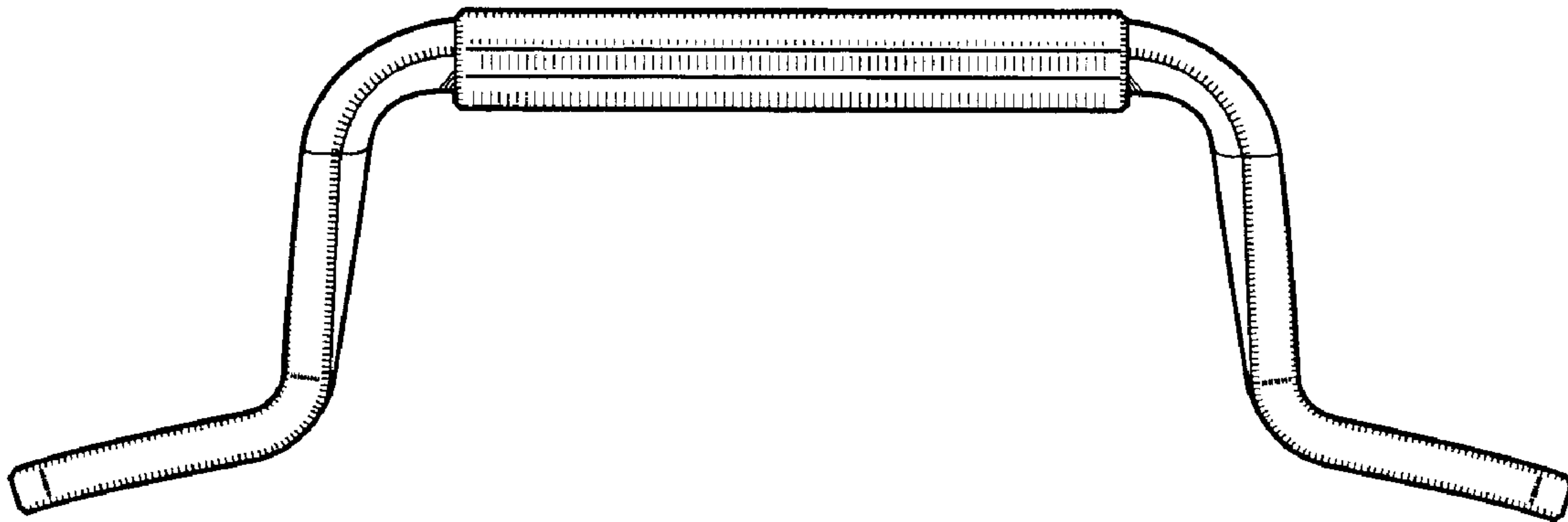


Fig. 4

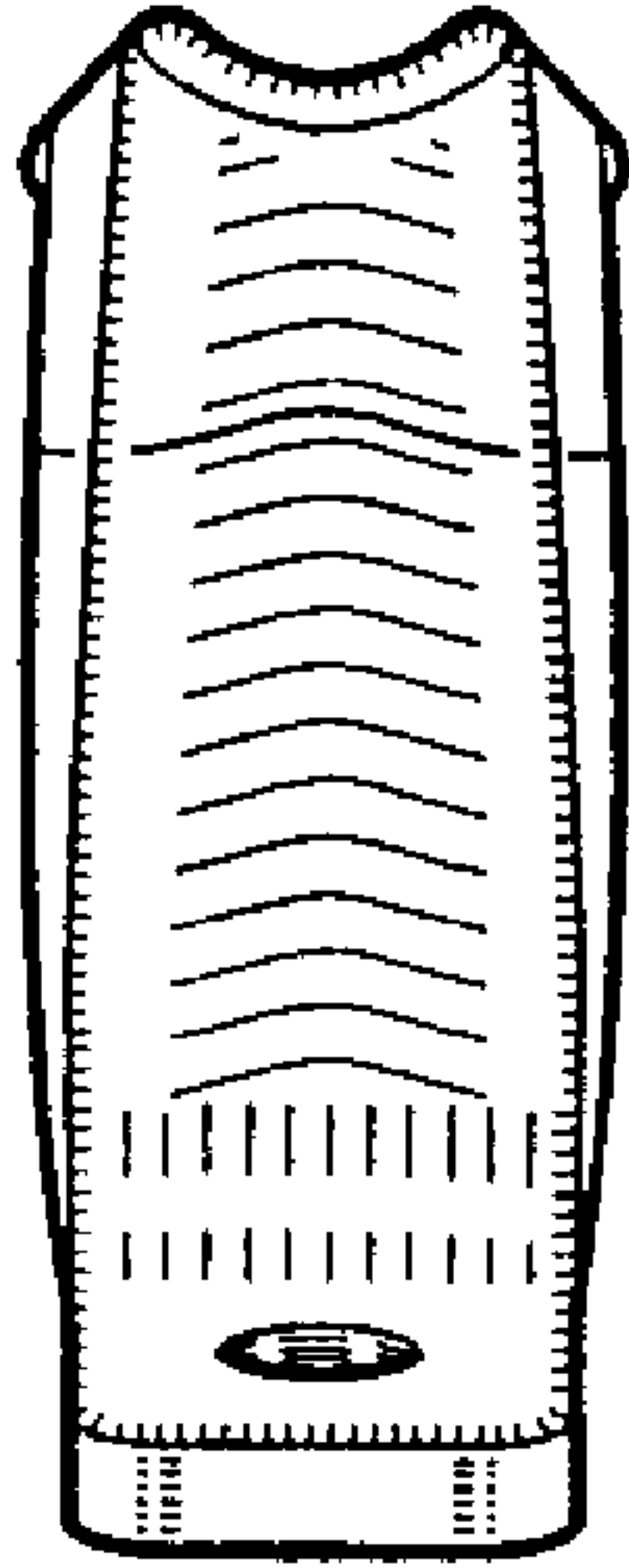


Fig. 5