



US00D527981S

(12) **United States Design Patent**
Sato

(10) **Patent No.:** **US D527,981 S**
(45) **Date of Patent:** **** Sep. 12, 2006**

(54) **KNOB FOR FURNITURE**

(75) Inventor: **Genichi Sato**, Chiyoda-ku (JP)

(73) Assignee: **Sugatsune Kogyo Co., Ltd.**, Tokyo (JP)

(**) Term: **14 Years**

(21) Appl. No.: **29/229,448**

(22) Filed: **May 9, 2005**

(30) **Foreign Application Priority Data**

Nov. 9, 2004 (JP) 2004-034069

(51) **LOC (8) Cl.** **08-06**

(52) **U.S. Cl.** **D8/313; D8/307; D8/310**

(58) **Field of Classification Search** D8/300,
D8/310, 307, 313, 314; D13/171, 174; D23/250-252;
16/441, 443, 444, 446

See application file for complete search history.

(56) **References Cited**

U.S. PATENT DOCUMENTS

963,053 A * 7/1910 Lockwood 16/441
D185,635 S * 7/1959 Gerlach D8/310

3,391,419 A * 7/1968 Thorne-Thomsen 16/441
D268,358 S * 3/1983 Saporito et al. D23/250
D327,834 S * 7/1992 Reid D8/310
D467,312 S * 12/2002 Singtoroj D23/250
D511,290 S * 11/2005 Coudurier D8/310

* cited by examiner

Primary Examiner—Paula A. Greene

(74) *Attorney, Agent, or Firm*—Bacon & Thomas

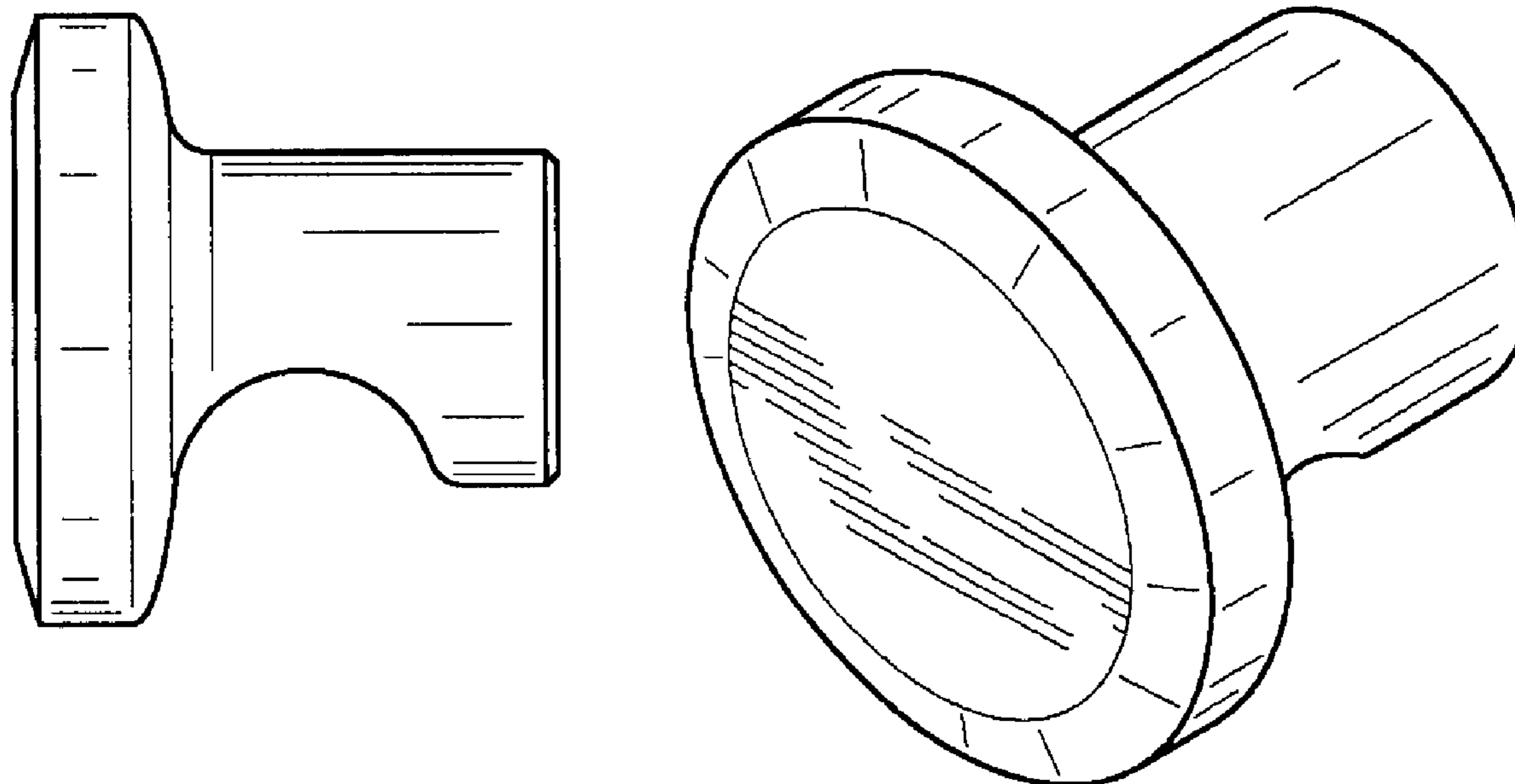
(57) **CLAIM**

The ornamental design for knob for furniture, as shown and described.

DESCRIPTION

FIG. 1 is a front elevation view of knob for furniture embodying my new design;
FIG. 2 is a right side view thereof;
FIG. 3 is a bottom view thereof;
FIG. 4 is a left side view thereof;
FIG. 5 is a plan view thereof;
FIG. 6 is a sectional view along A—A line in FIG. 4 thereof;
and,
FIG. 7 is a perspective view thereof.

1 Claim, 3 Drawing Sheets



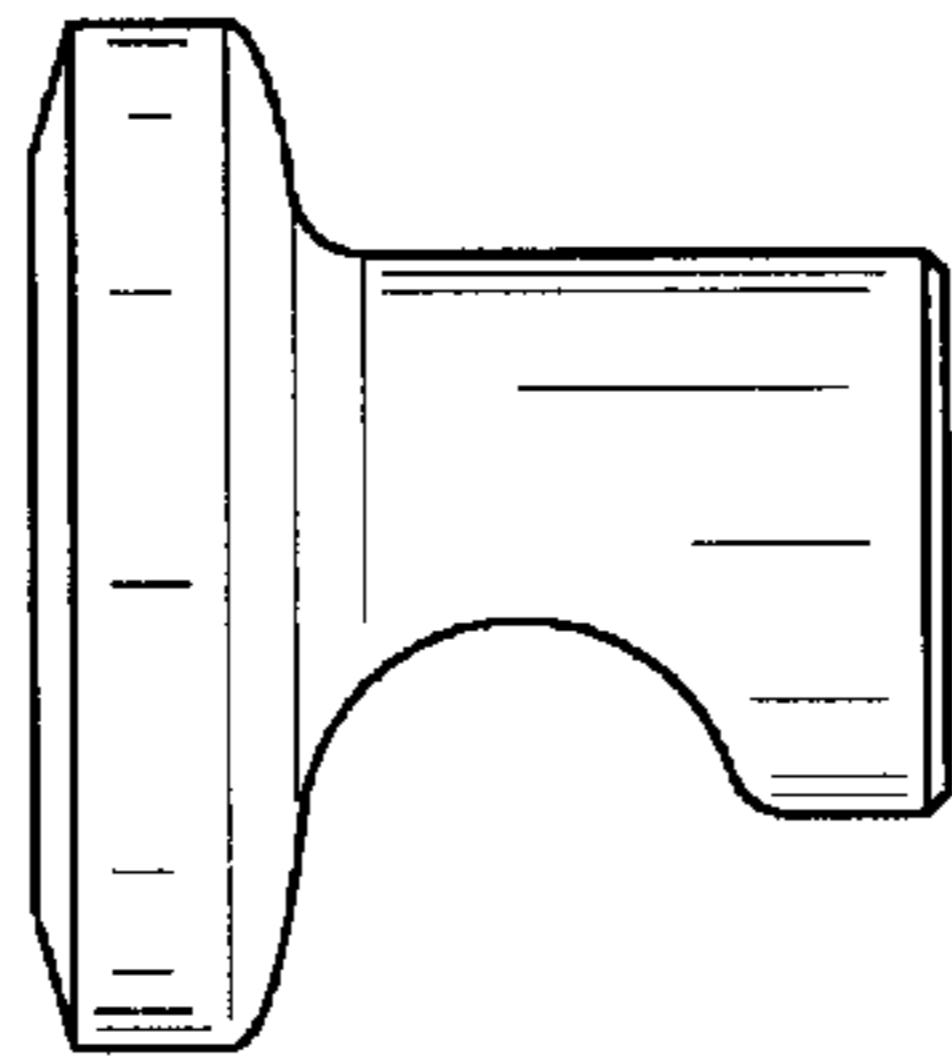


FIG. 1

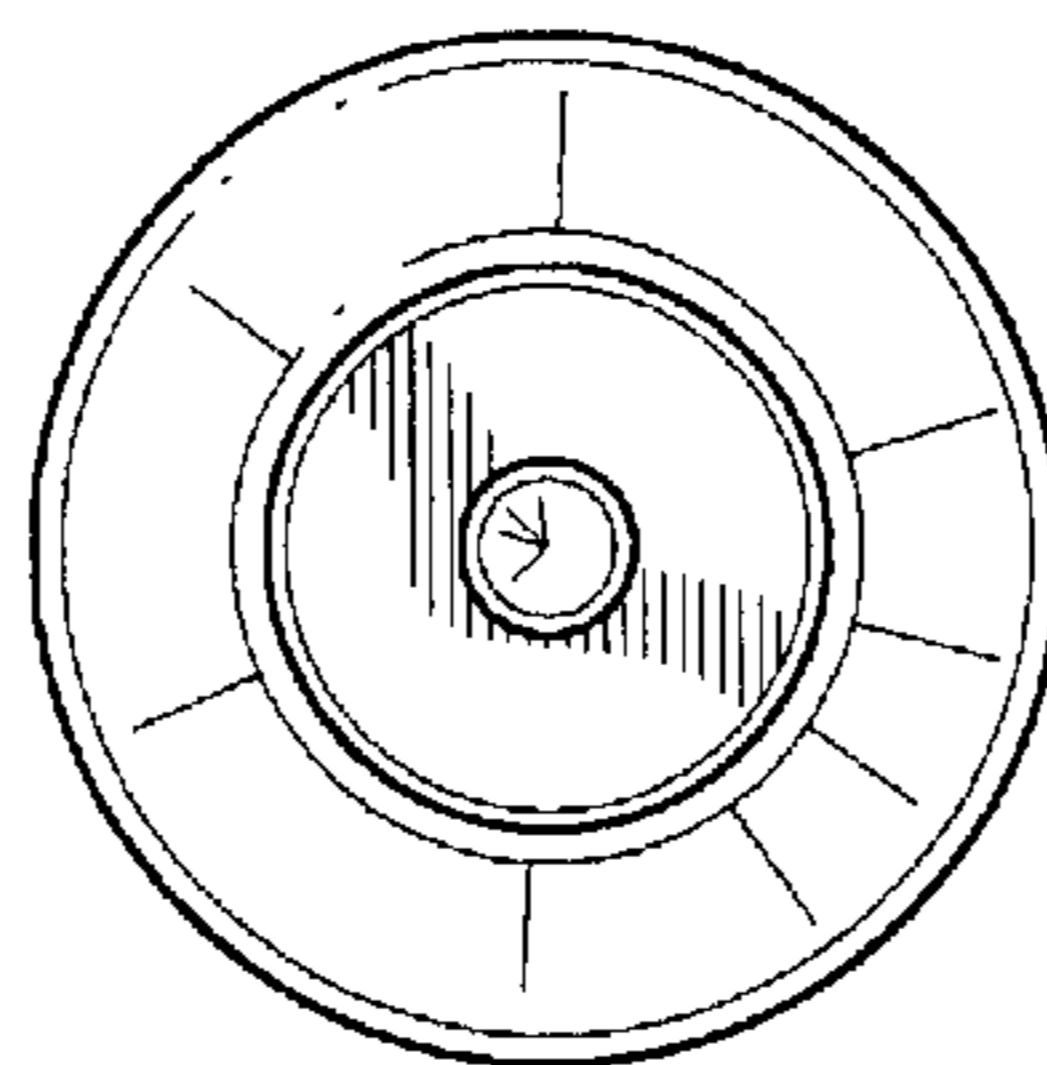


FIG. 2

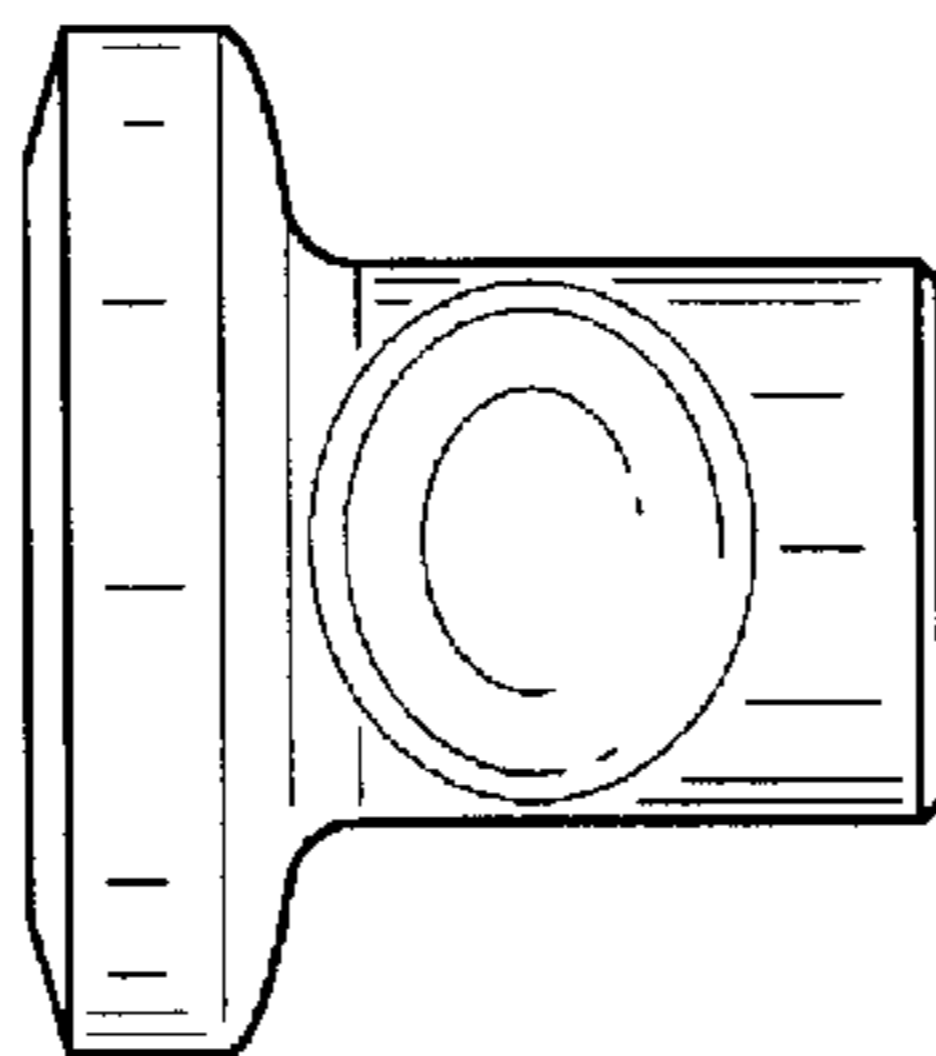


FIG. 3

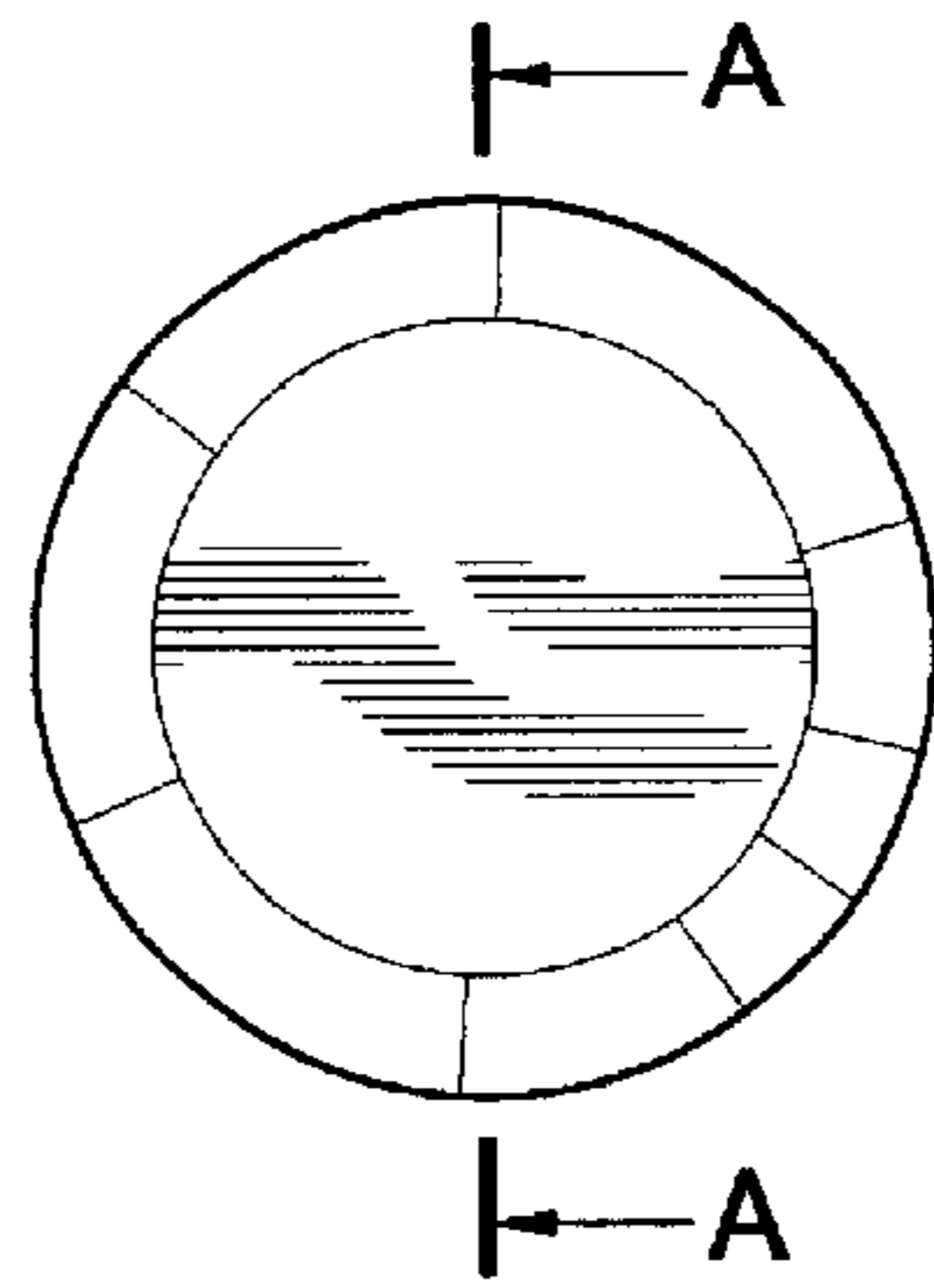


FIG. 4

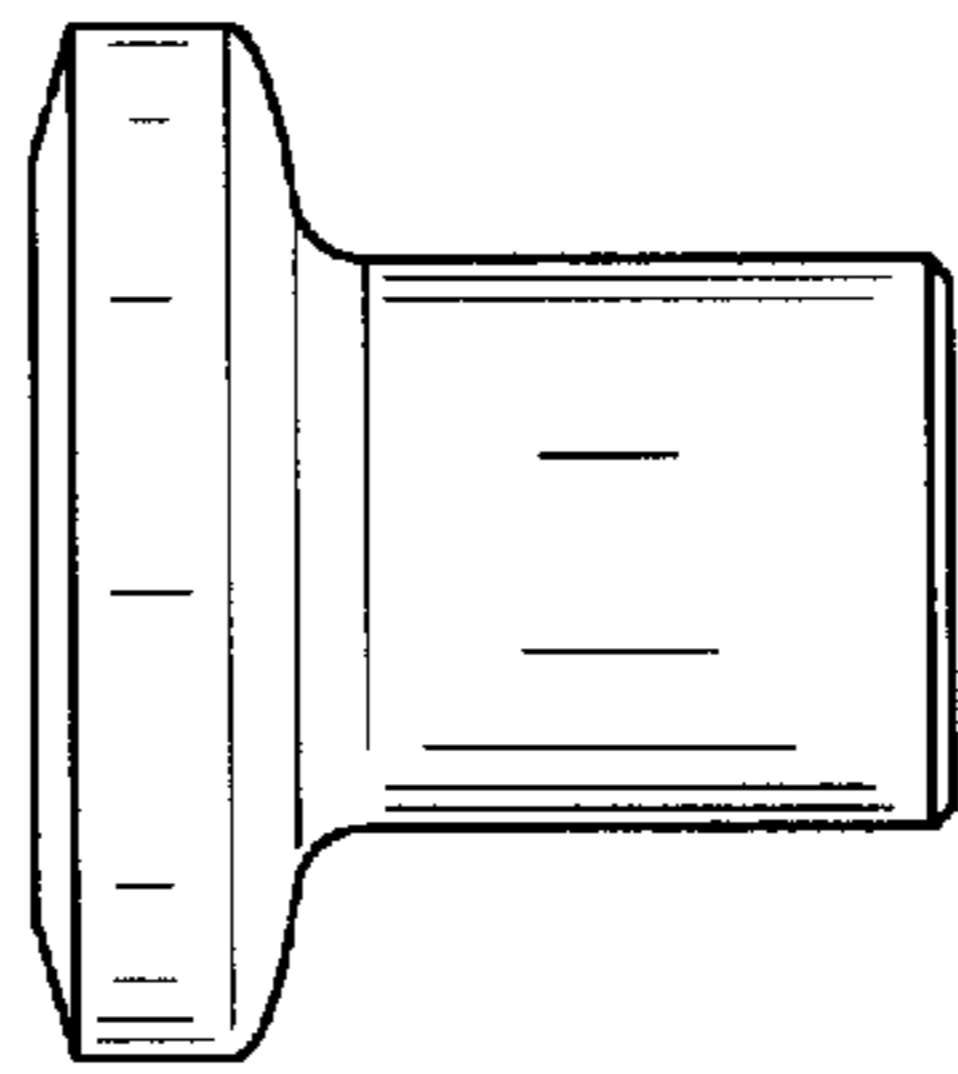


FIG. 5

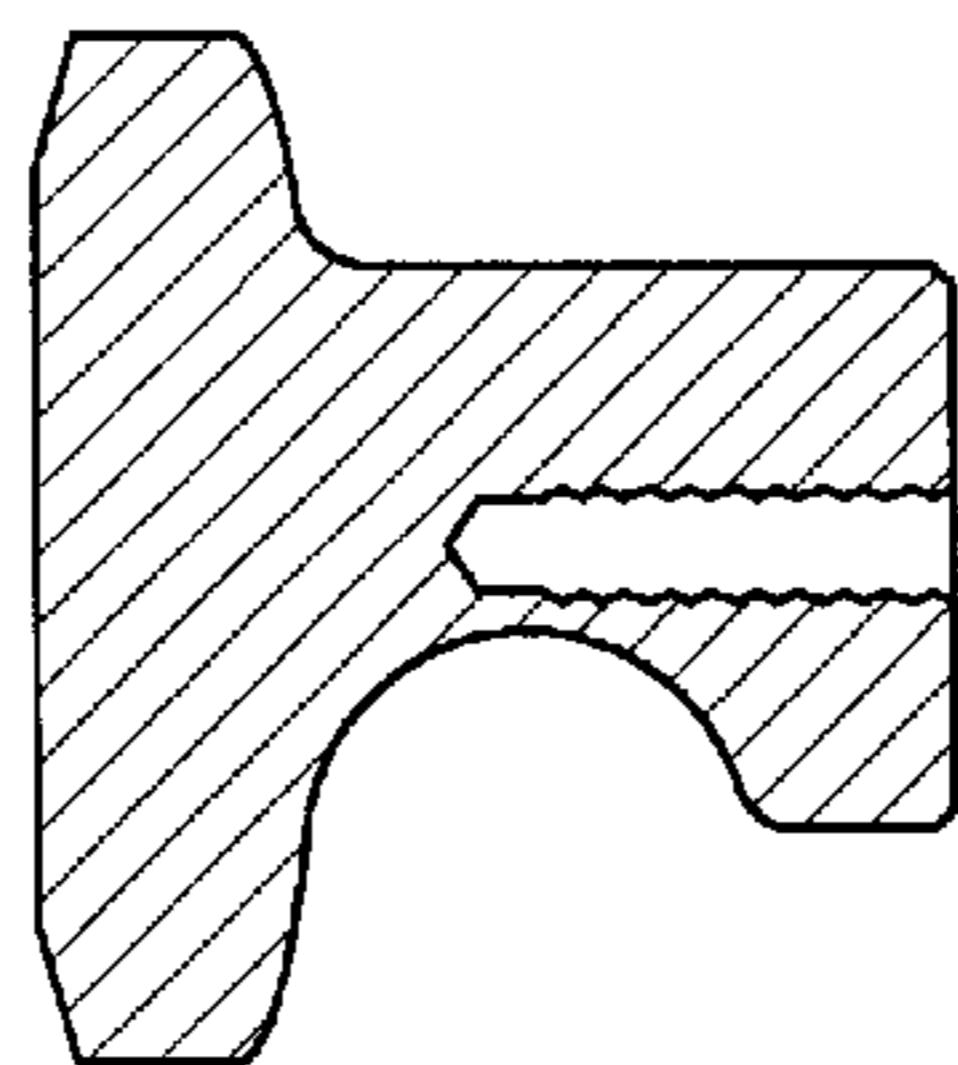


FIG. 6

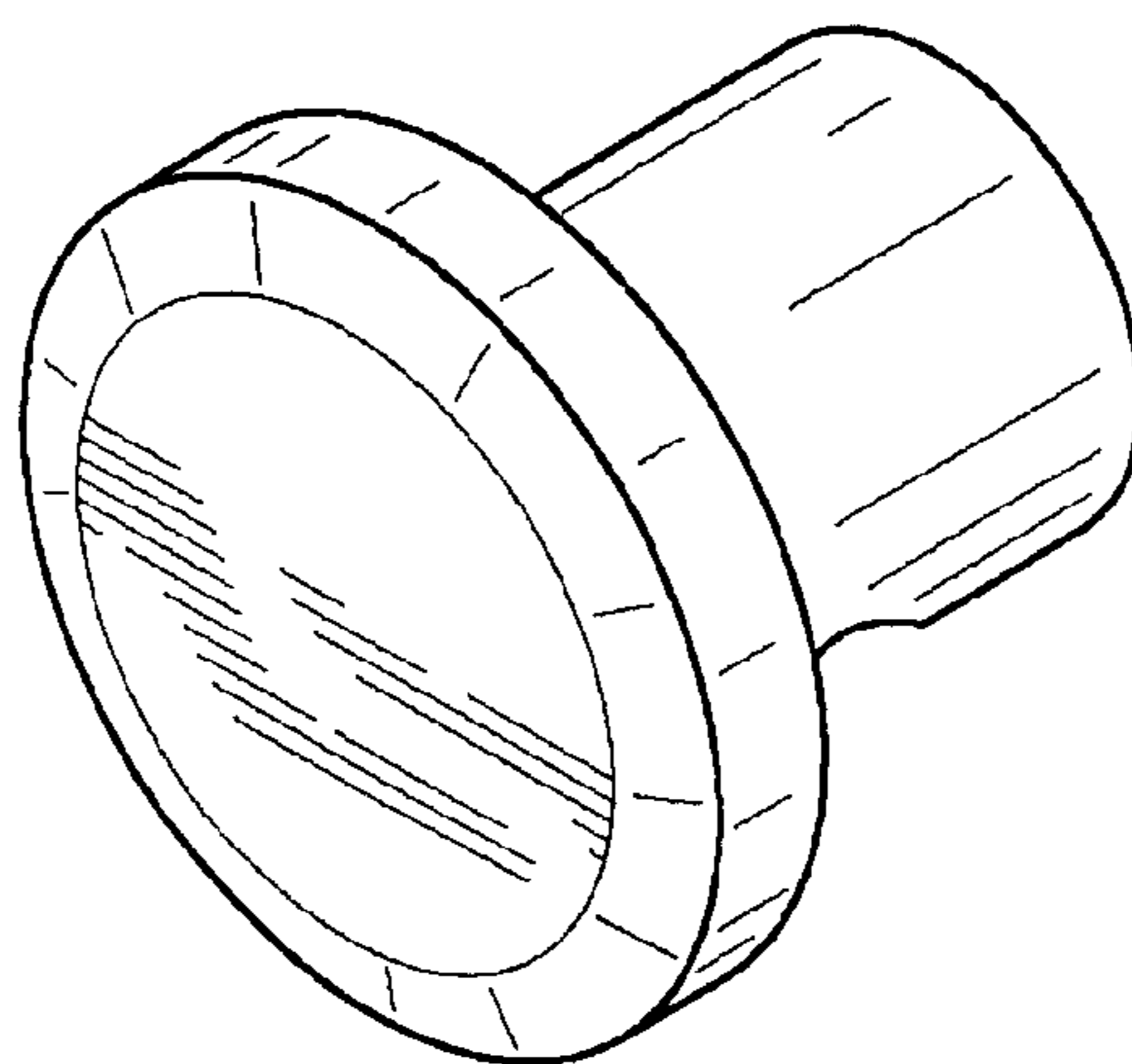


FIG. 7