

US00D527977S

(12) **United States Design Patent**
Morris

(10) **Patent No.:** **US D527,977 S**
(45) **Date of Patent:** **** Sep. 12, 2006**

(54) **HANDLE AND TRIM**

(76) **Inventor:** **Eric D. Morris**, 2110-12 Tryon St.,
Philadelphia, PA (US) 19146

(**) **Term:** **14 Years**

(21) **Appl. No.:** **29/242,805**

(22) **Filed:** **Nov. 15, 2005**

Related U.S. Application Data

(62) Division of application No. 29/210,401, filed on Jul. 30, 2004.

(51) **LOC (8) Cl.** **08-06**

(52) **U.S. Cl.** **D8/307**

(58) **Field of Classification Search** D8/301-309,
D8/315, 352, 350, 393, 314; D23/250-252;
16/412-415, 441; 292/336.3, 347

See application file for complete search history.

(56) **References Cited**

U.S. PATENT DOCUMENTS

- D64,095 S * 2/1924 Yates D8/307
- D65,214 S 7/1924 Auld
- D76,671 S 10/1928 Devereaux
- D80,519 S * 2/1930 Graff D8/308
- D80,620 S 3/1930 Graff
- 1,800,707 A 4/1931 Wartian
- 2,058,163 A 10/1936 Malone
- D102,288 S * 12/1936 Murrin D8/314
- 2,190,192 A * 2/1940 Raymond 16/417
- 2,208,592 A 1/1954 Mariani

- 2,665,932 A 1/1954 Moler
- D171,486 S 2/1954 Borchers et al.
- D189,126 S * 11/1960 Maffei D8/307
- D252,317 S * 7/1979 Clayton D8/350
- D285,246 S * 8/1986 Fetty D23/250
- D327,530 S * 6/1992 Rawald D23/250

OTHER PUBLICATIONS

Yale, Inc., four (4) photographs (identified Sheets 1 through 4) of handles and trim.

* cited by examiner

Primary Examiner—Paula A. Greene

(74) *Attorney, Agent, or Firm*—Caesar, Rivise, Bernstein, Cohen & Pokotilow, Ltd.

(57) **CLAIM**

The ornamental design for the handle and trim, as shown and described.

DESCRIPTION

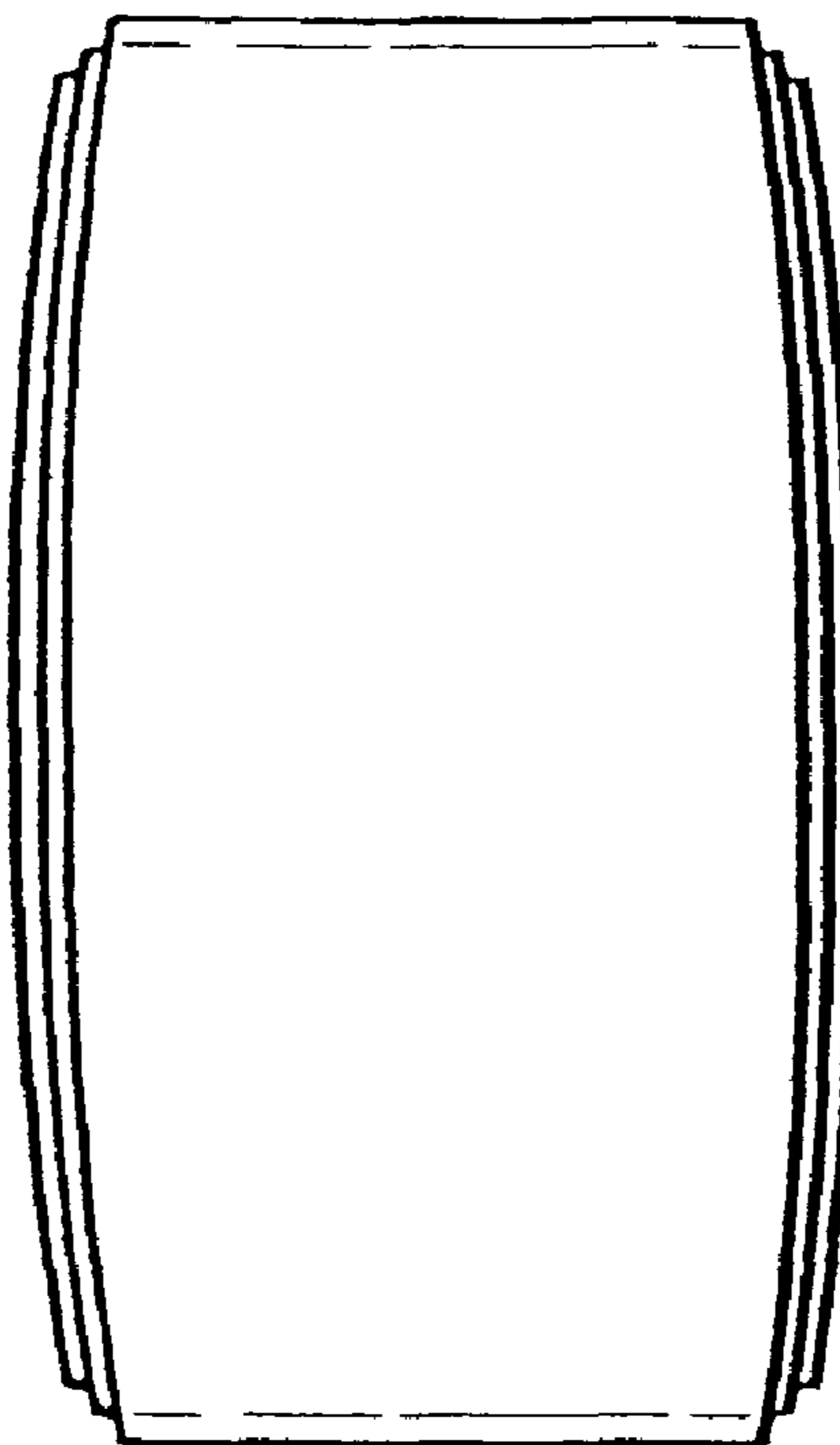
FIG. 1 is a front elevational view of a handle and trim showing my new design, the undisclosed rear is not part of the claimed design;

FIG. 2 is a side elevational view thereof, the opposite side is a mirror image; and,

FIG. 3 is an end elevational view thereof, the opposite end is a mirror image.

The dashed lines shown in the figures represent environmental subject matter and form no part of the claimed design.

1 Claim, 1 Drawing Sheet



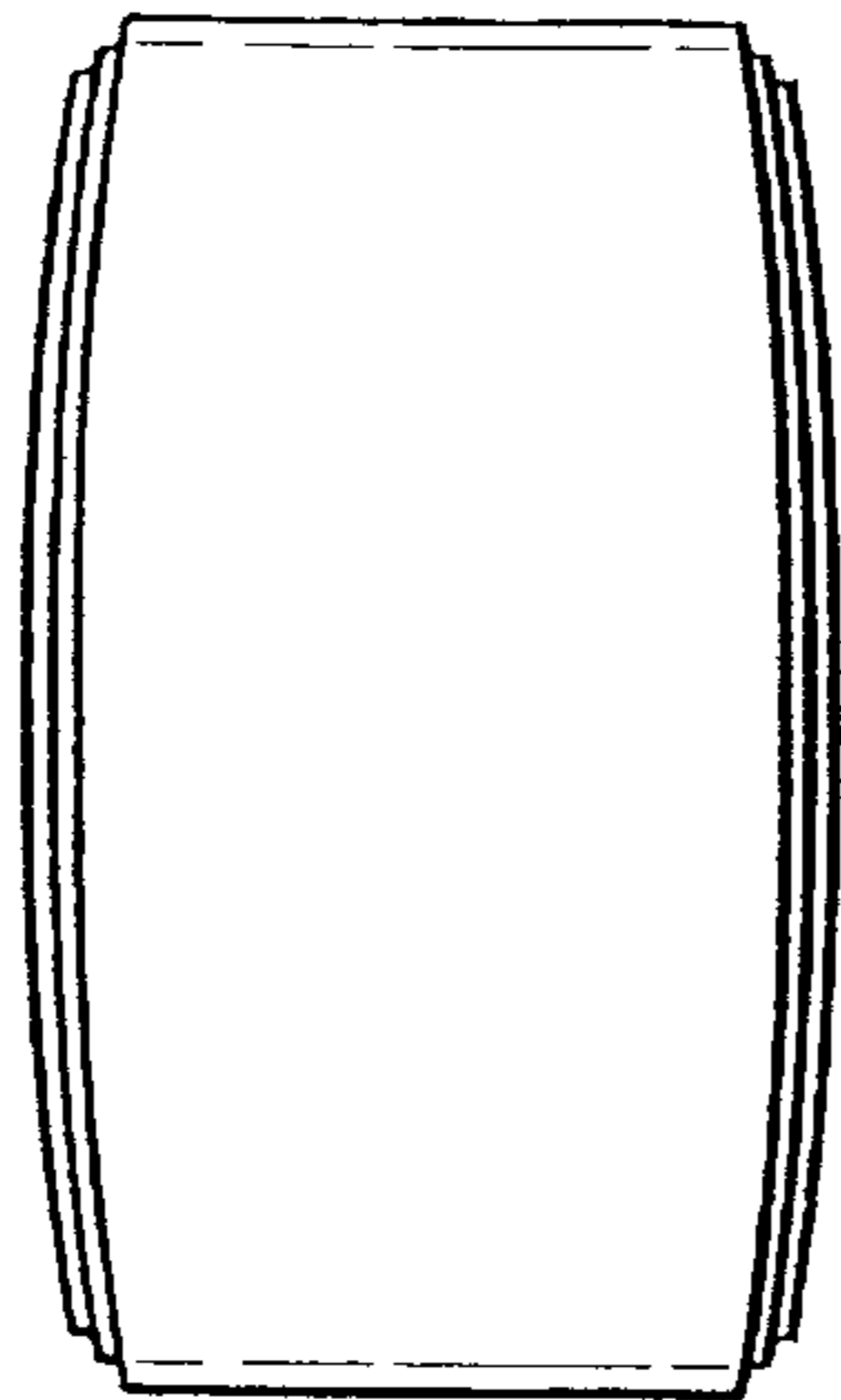


FIG. 1

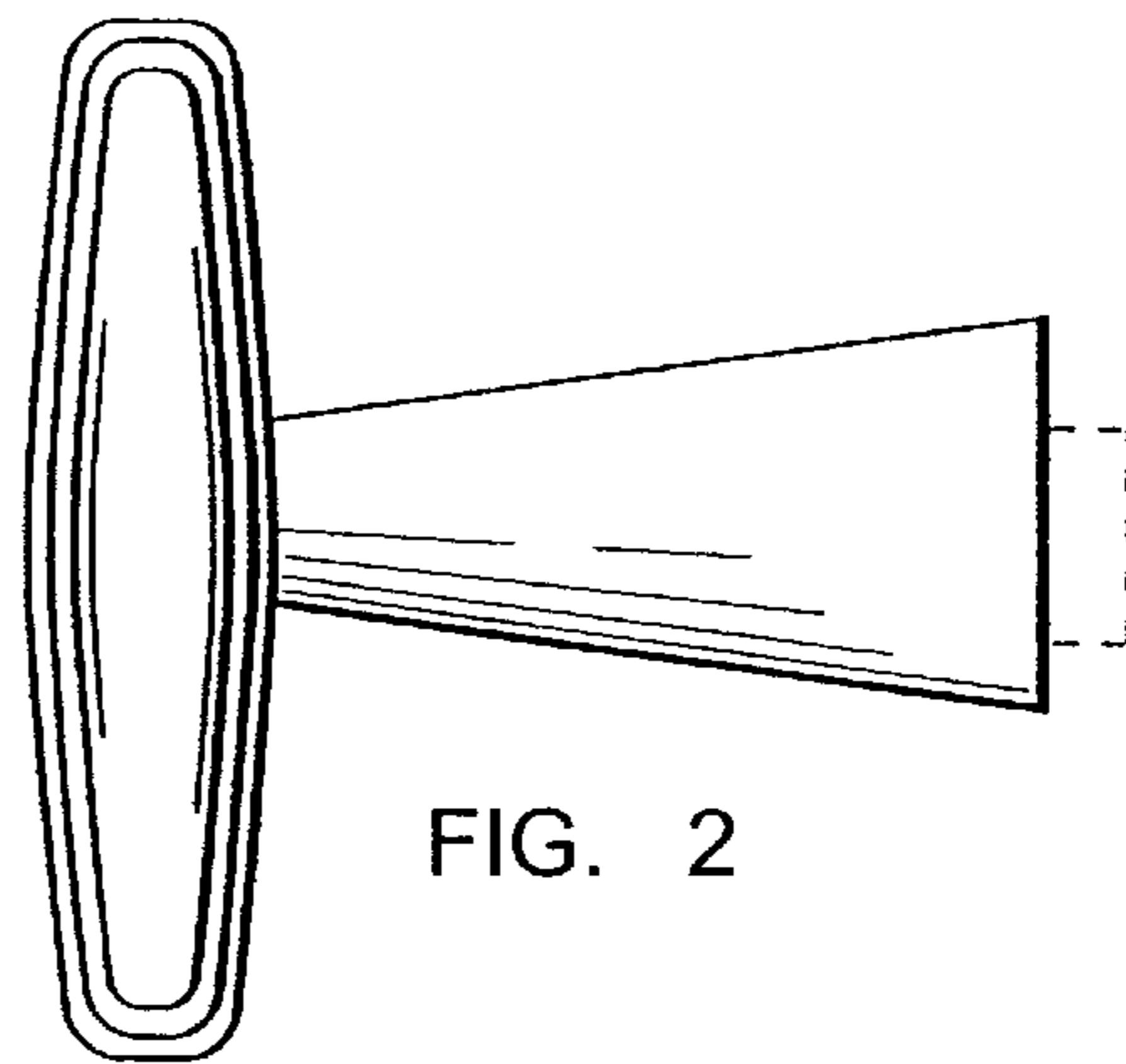


FIG. 2

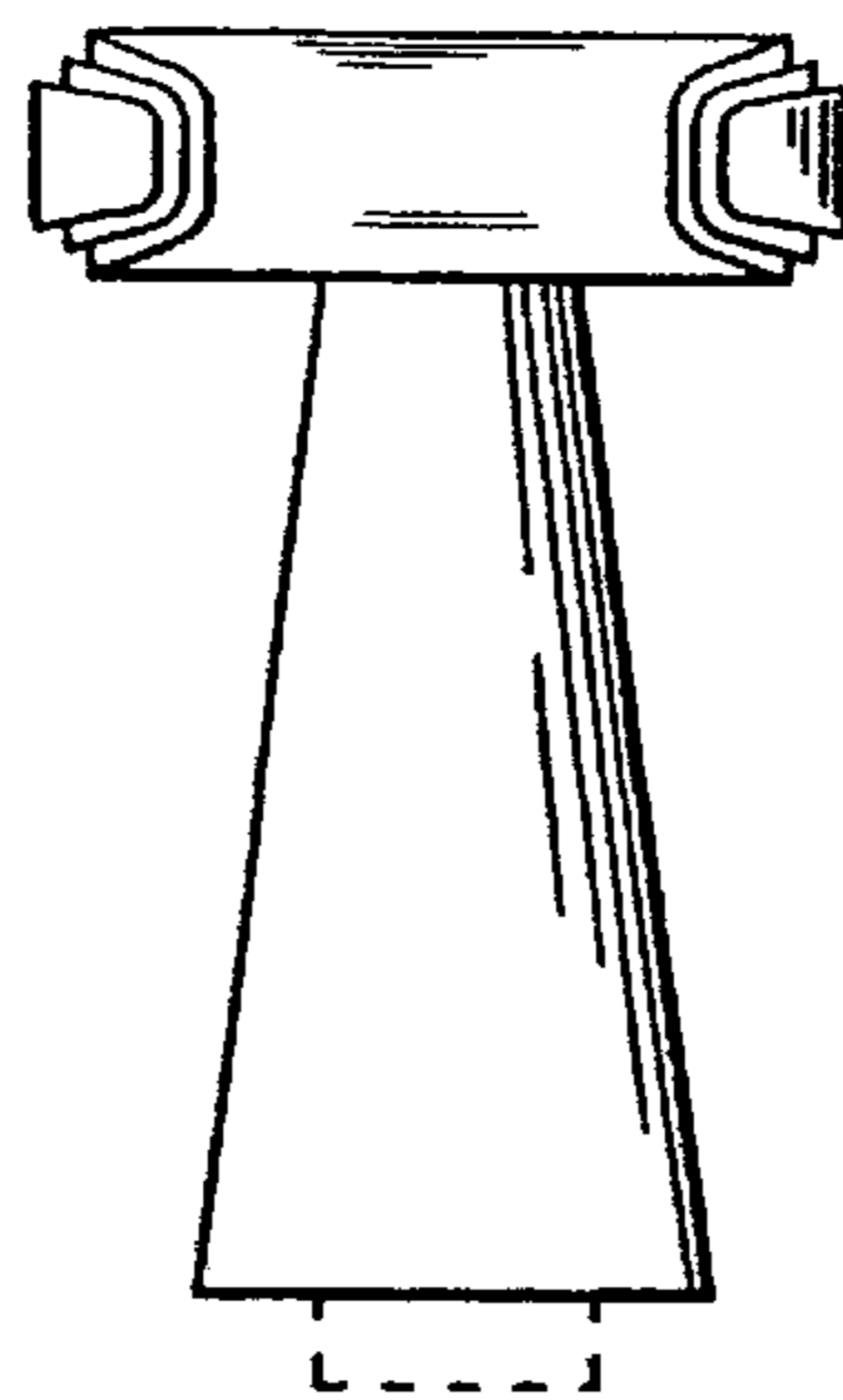


FIG. 3