

US00D527973S

(12) **United States Design Patent**  
**Okuda et al.**

(10) **Patent No.:** **US D527,973 S**

(45) **Date of Patent:** **\*\* Sep. 12, 2006**

(54) **ELECTRIC STAPLER**

(75) Inventors: **Shinsuke Okuda**, Anjo (JP); **Yukiyasu Okouchi**, Anjo (JP)

(73) Assignee: **Makita Corporation**, Anjo (JP)

(\*\*) Term: **14 Years**

(21) Appl. No.: **29/254,330**

(22) Filed: **Feb. 23, 2006**

(30) **Foreign Application Priority Data**

Aug. 30, 2005 (JP) ..... 2005-024955

(51) **LOC (8) Cl.** ..... **08-05**

(52) **U.S. Cl.** ..... **D8/69**

(58) **Field of Classification Search** ..... D8/14.1,  
D8/49, 61-64, 65, 66, 67, 68, 69, 70; 81/57.11,  
81/429, 464, 465, 466, 469, 489; 173/13,  
173/104, 114, 168, 169, 170, 171, 178, 201,  
173/211, 213, 217; 408/20, 124, 125, 234,  
408/241 R; 451/358; 310/50; 227/8, 114,  
227/120, 130, 136, 142, 132, 134, 127, 128  
See application file for complete search history.

(56) **References Cited**

**U.S. PATENT DOCUMENTS**

2,445,674 A \* 7/1948 Kendall ..... 227/136

4,693,407 A \* 9/1987 Buck et al. .... 227/120  
4,953,774 A \* 9/1990 Lai ..... 227/8  
5,076,482 A \* 12/1991 Kozyrski et al. .... 173/169  
D330,836 S \* 11/1992 Fushiya et al. .... D8/69  
D333,601 S \* 3/1993 Wingert ..... D8/49  
D340,630 S 10/1993 Hara  
D376,523 S 12/1996 Arai  
D467,151 S \* 12/2002 Ho ..... D8/69  
6,955,281 B1 \* 10/2005 Wei ..... 227/120

\* cited by examiner

*Primary Examiner*—T. Chase Nelson

(74) *Attorney, Agent, or Firm*—Oliff & Berridge, PLC

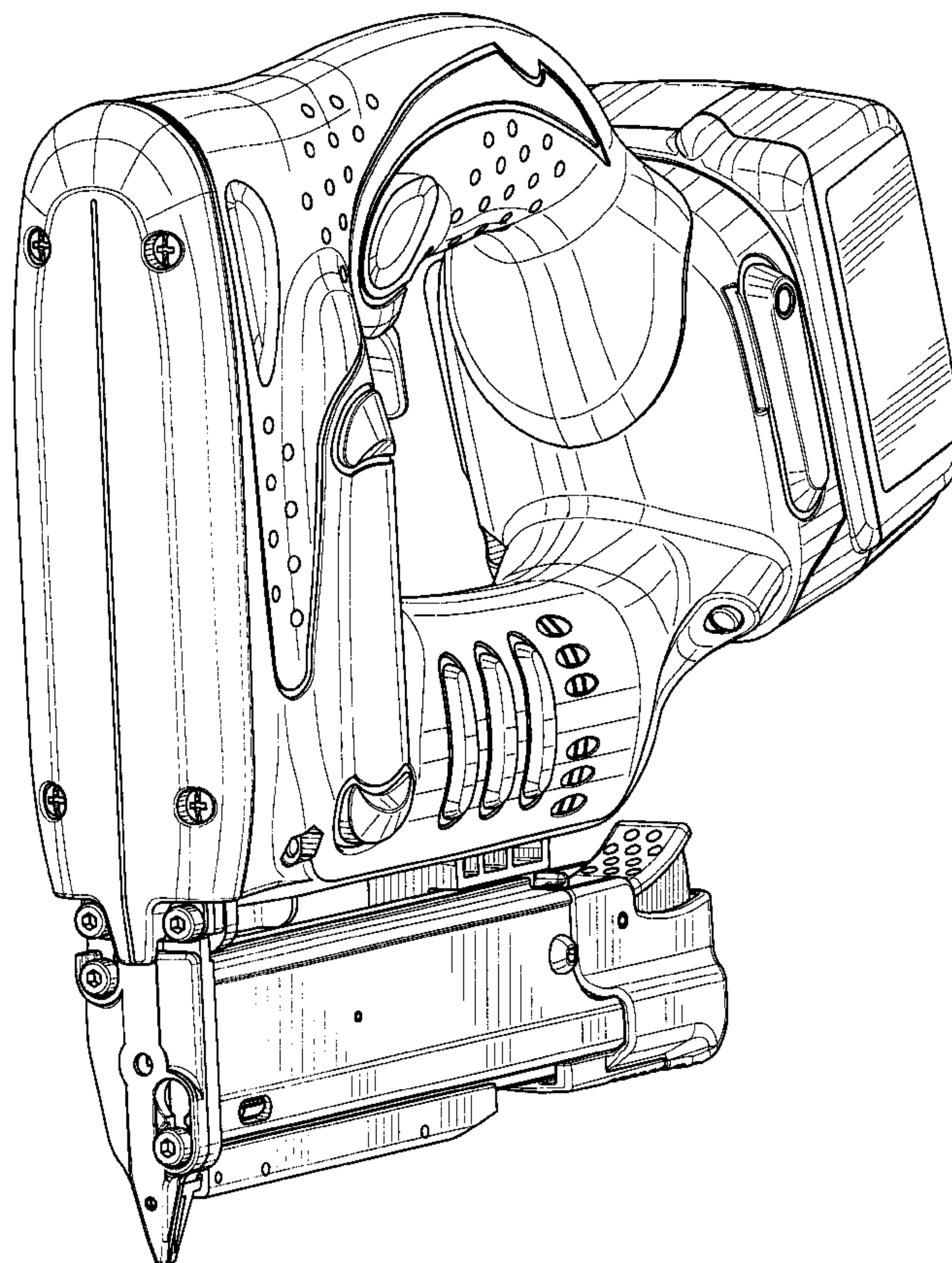
(57) **CLAIM**

The ornamental design for an electric stapler, as shown and described.

**DESCRIPTION**

FIG. 1 is a perspective view of an electric stapler showing our new design;  
FIG. 2 is a front elevation view thereof;  
FIG. 3 is a rear elevation view thereof;  
FIG. 4 is a left side elevation view thereof;  
FIG. 5 is a right side elevation view thereof;  
FIG. 6 is a top plan view thereof; and,  
FIG. 7 is a bottom plan view thereof.

**1 Claim, 5 Drawing Sheets**



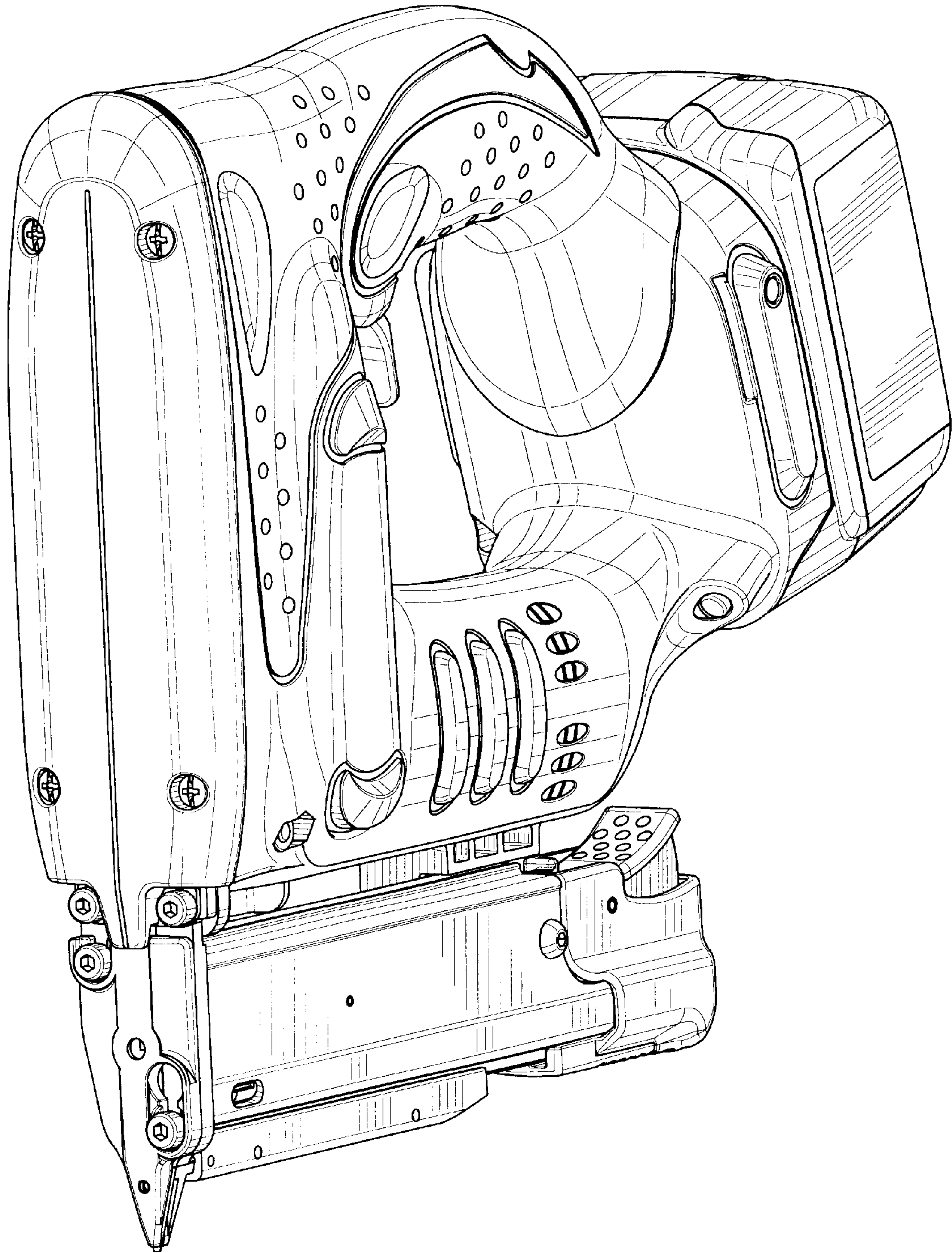


FIG. 1



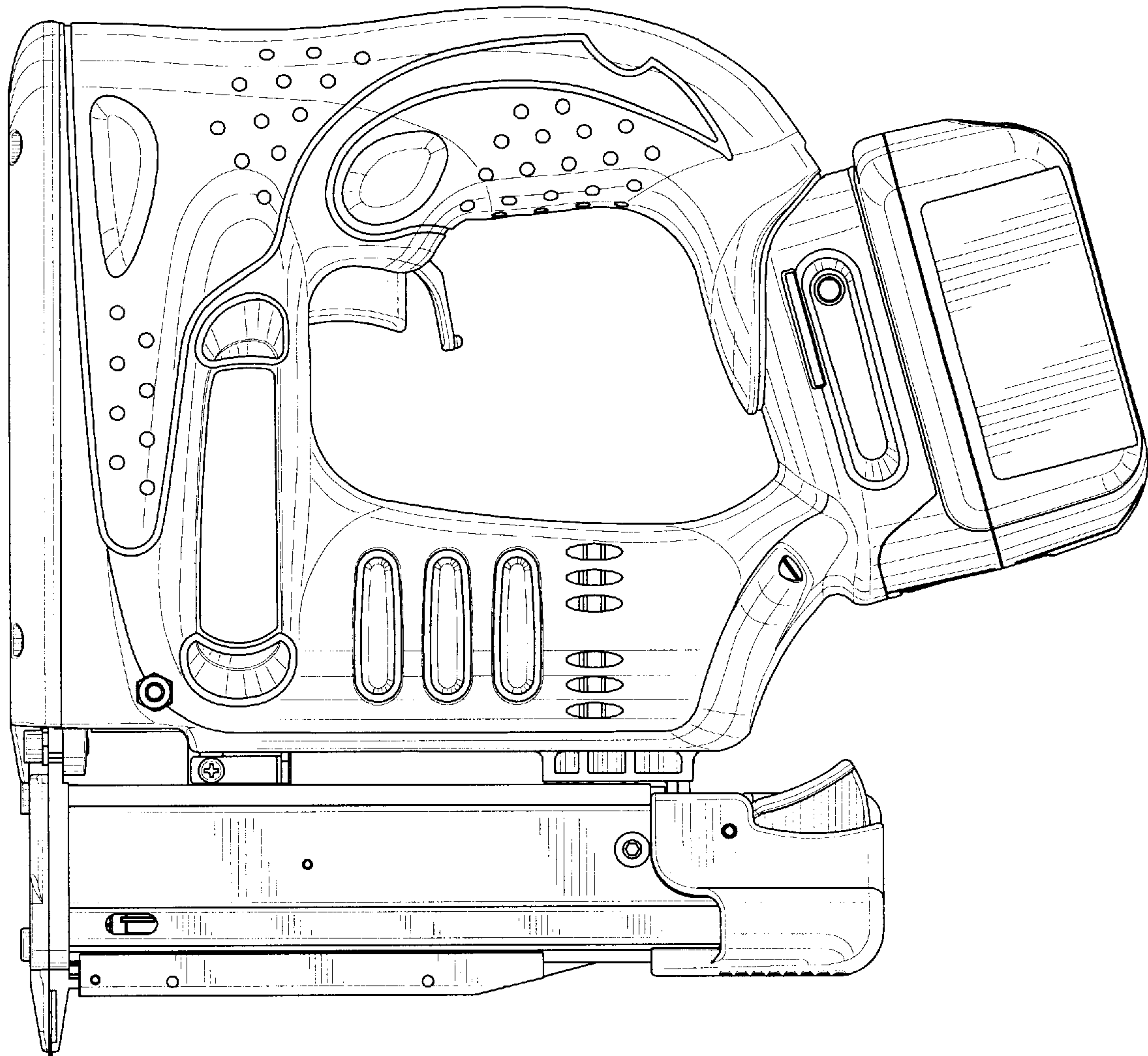


FIG. 2

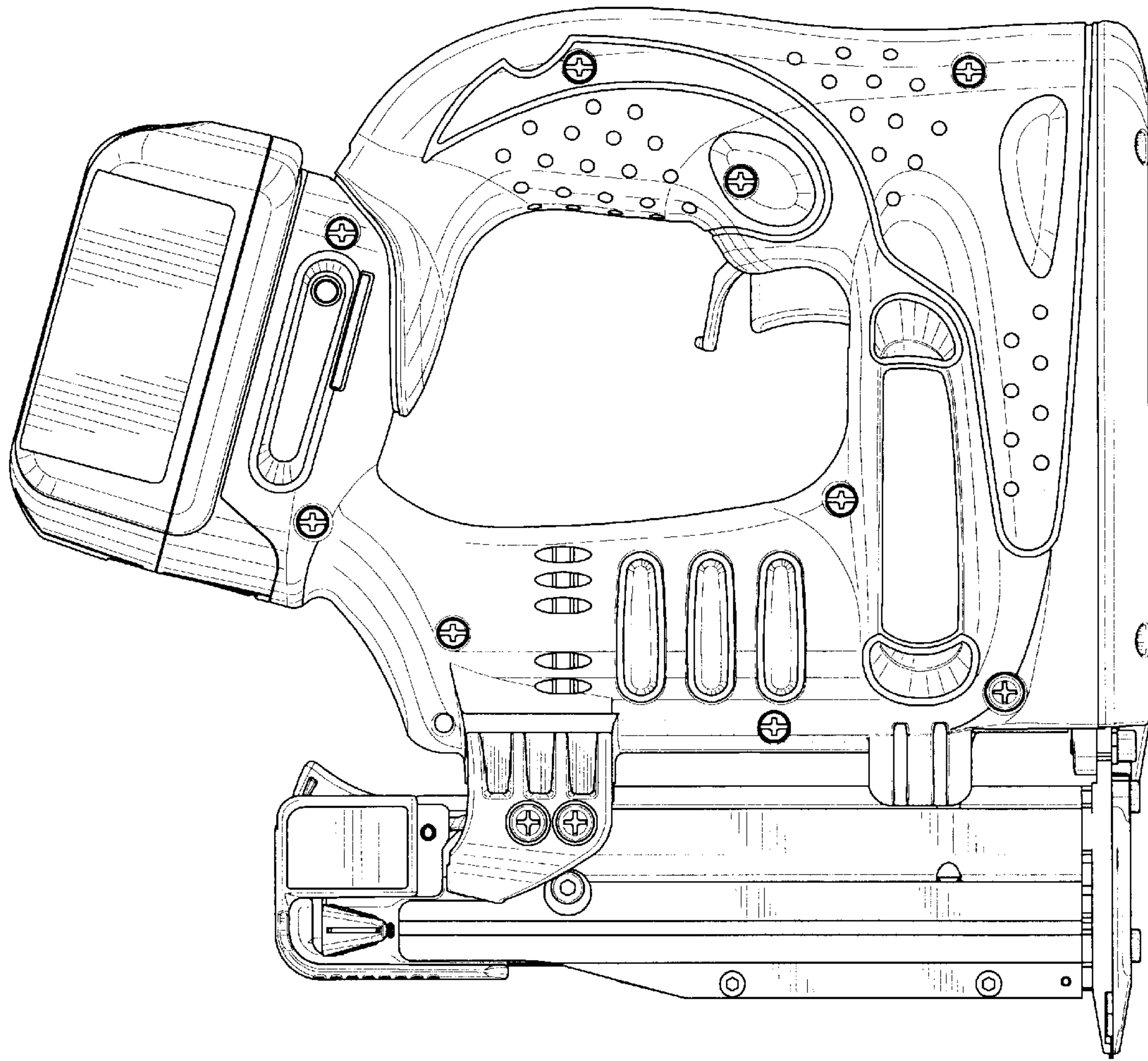


FIG. 3

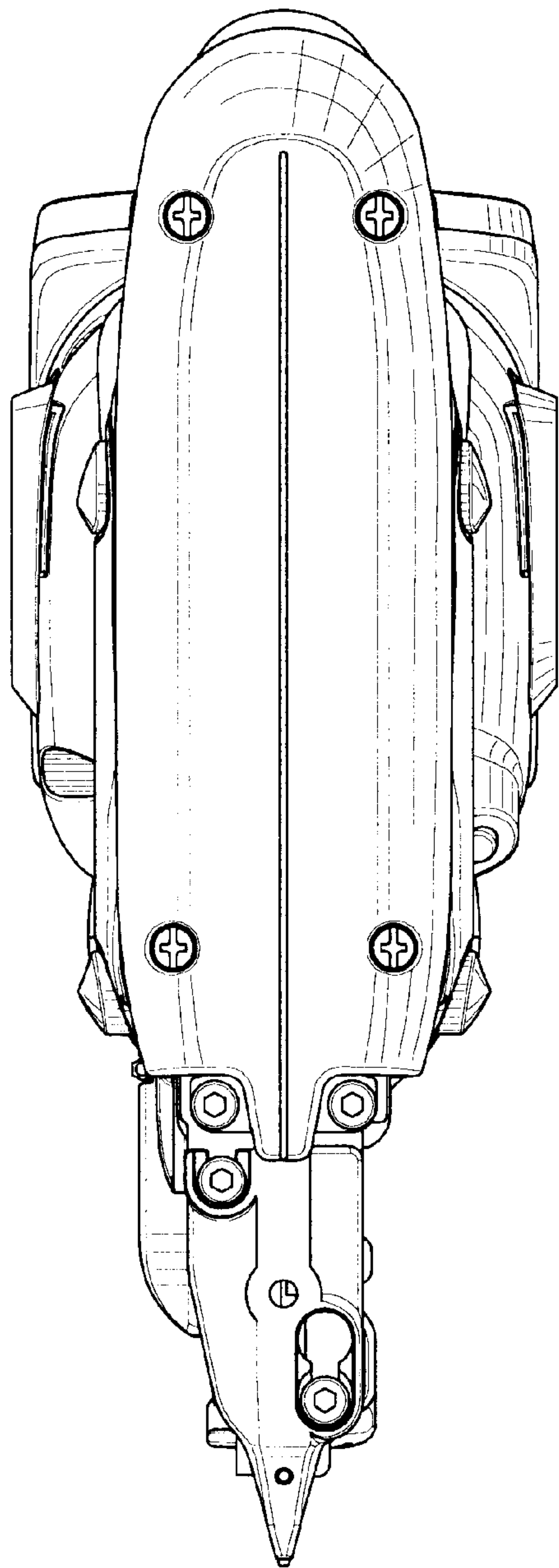


FIG. 4

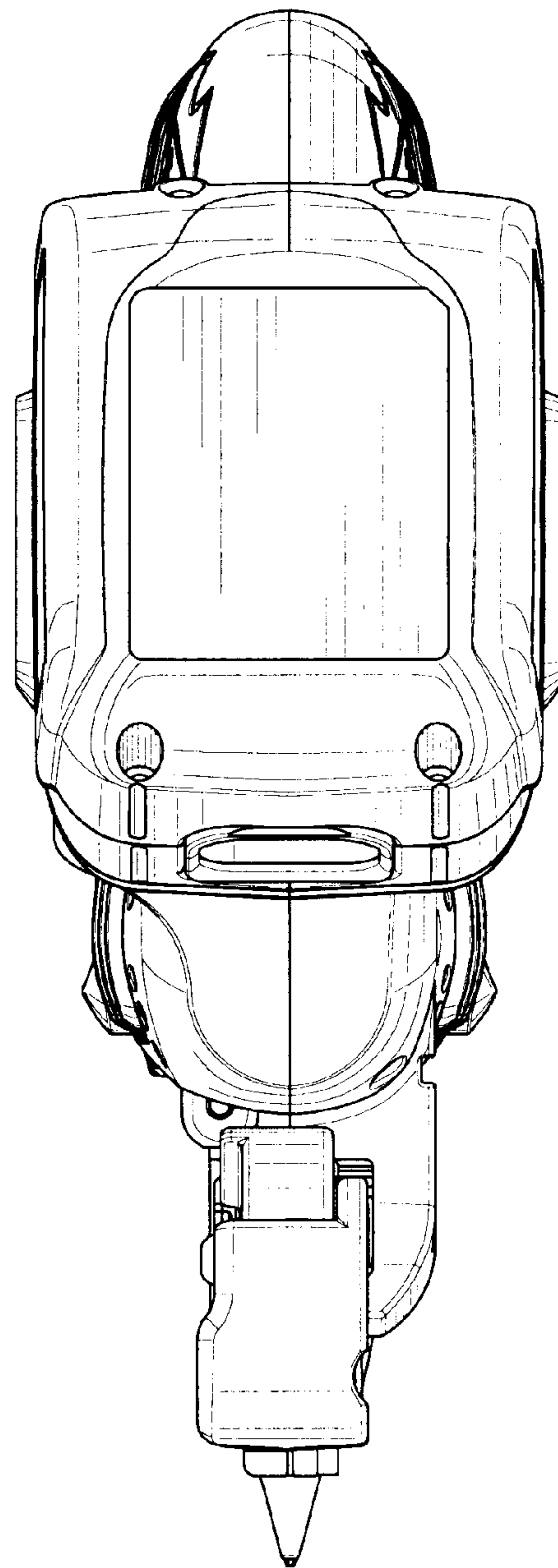


FIG. 5

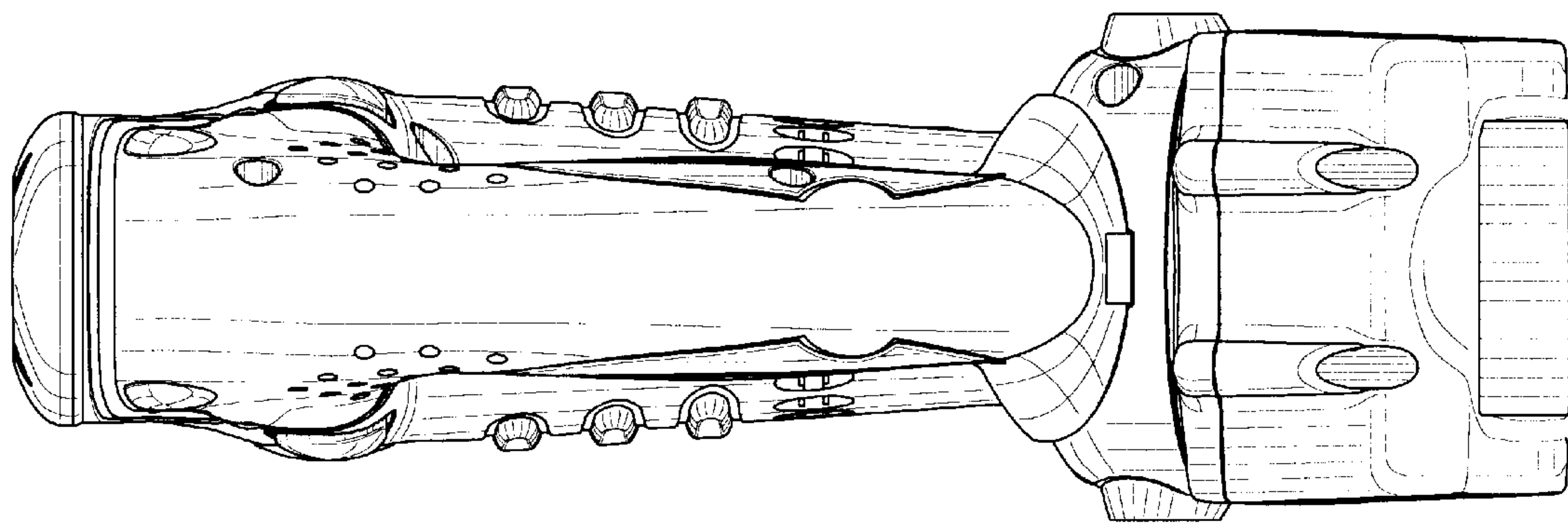


FIG. 6

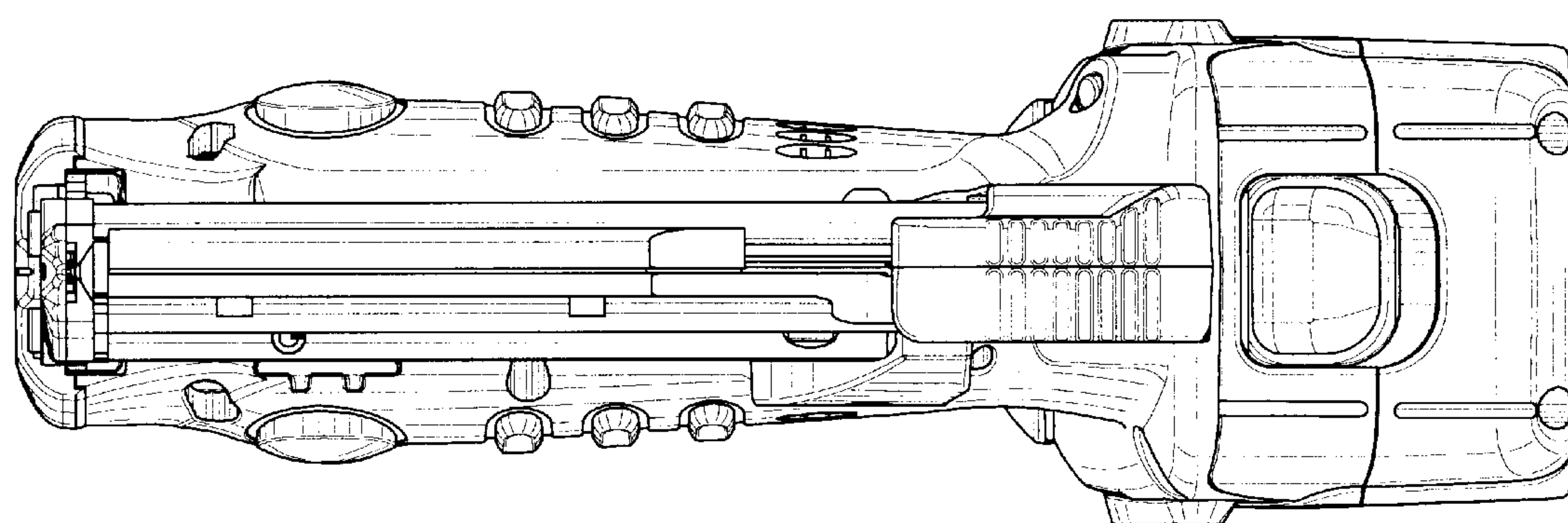


FIG. 7