



US00D527972S

(12) **United States Design Patent**  
**Leasure et al.**

(10) **Patent No.:** **US D527,972 S**  
(45) **Date of Patent:** **\*\* Sep. 12, 2006**

(54) **PNEUMATIC FASTENER**  
(75) Inventors: **Jeremy D. Leasure**, Jackson, TN (US);  
**Mark A. Etter**, Humboldt, TN (US)  
(73) Assignee: **Black & Decker, Inc.**, Newark, DE  
(US)  
(\*\*) Term: **14 Years**

D477,760 S \* 7/2003 Chang ..... D8/68  
D477,762 S \* 7/2003 Bor ..... D8/68  
D478,490 S \* 8/2003 Wu ..... D8/68  
6,669,072 B1 \* 12/2003 Burke et al. .... 173/178  
D497,091 S \* 10/2004 Leasure ..... D8/68  
D498,127 S \* 11/2004 Leasure ..... D8/68  
D500,654 S \* 1/2005 Leasure et al. .... D8/69  
D500,655 S \* 1/2005 Leasure ..... D8/69  
6,896,165 B1 \* 5/2005 Wang ..... 227/120  
6,929,165 B1 \* 8/2005 Chen et al. .... 227/8  
2002/0056739 A1 \* 5/2002 Liu ..... 227/8

(21) Appl. No.: **29/204,672**  
(22) Filed: **Apr. 30, 2004**

\* cited by examiner

(51) **LOC (8) Cl.** ..... **08-05**  
(52) **U.S. Cl.** ..... **D8/69**  
(58) **Field of Classification Search** ..... D8/14.1,  
D8/61, 62, 63, 64, 65, 66, 67, 68, 69, 70;  
81/57.11, 429, 464, 465, 466, 469, 489; 173/13,  
173/169, 178, 213, 217, 114, 201, 211; 227/8,  
227/114, 120, 130, 136, 142; 408/20, 124,  
408/125, 234, 241 R; 451/358; 310/50  
See application file for complete search history.

*Primary Examiner*—Janice E. Seeger  
*Assistant Examiner*—T. Chase Nelson  
(74) *Attorney, Agent, or Firm*—Suiter West Swantz PC  
LLO

(57) **CLAIM**

We claim the ornamental design for a pneumatic fastener, as shown.

**DESCRIPTION**

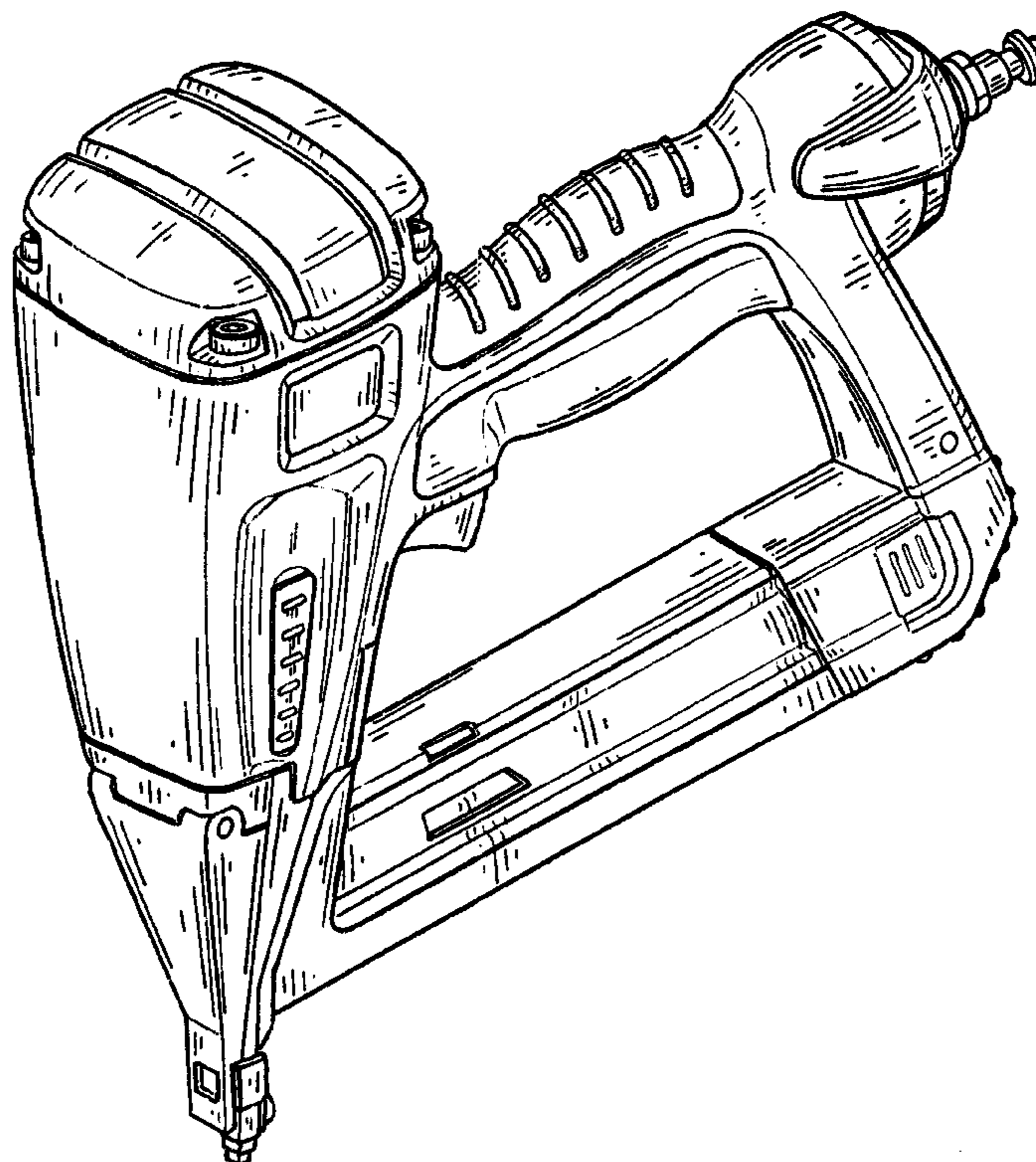
(56) **References Cited**

**U.S. PATENT DOCUMENTS**

D338,818 S \* 8/1993 Katsuba ..... D8/62  
5,564,614 A \* 10/1996 Yang ..... 227/8  
D403,221 S \* 12/1998 Warner et al. .... D8/69  
D415,002 S \* 10/1999 Rogers et al. .... D8/69  
6,036,072 A \* 3/2000 Lee ..... 227/120  
D435,769 S \* 1/2001 Etter et al. .... D8/68  
6,357,534 B1 \* 3/2002 Buetow et al. .... 173/217  
D459,184 S \* 6/2002 Buck ..... D8/69

FIG. 1 is an isometric view of a pneumatic fastener showing my new design;  
FIG. 2 is a top plan view thereof;  
FIG. 3 is a front elevation view thereof;  
FIG. 4 is a left side elevation view thereof;  
FIG. 5 is a rear elevation view thereof;  
FIG. 6 is a right side elevation view thereof; and,  
FIG. 7 is a bottom plan view thereof.

**1 Claim, 3 Drawing Sheets**



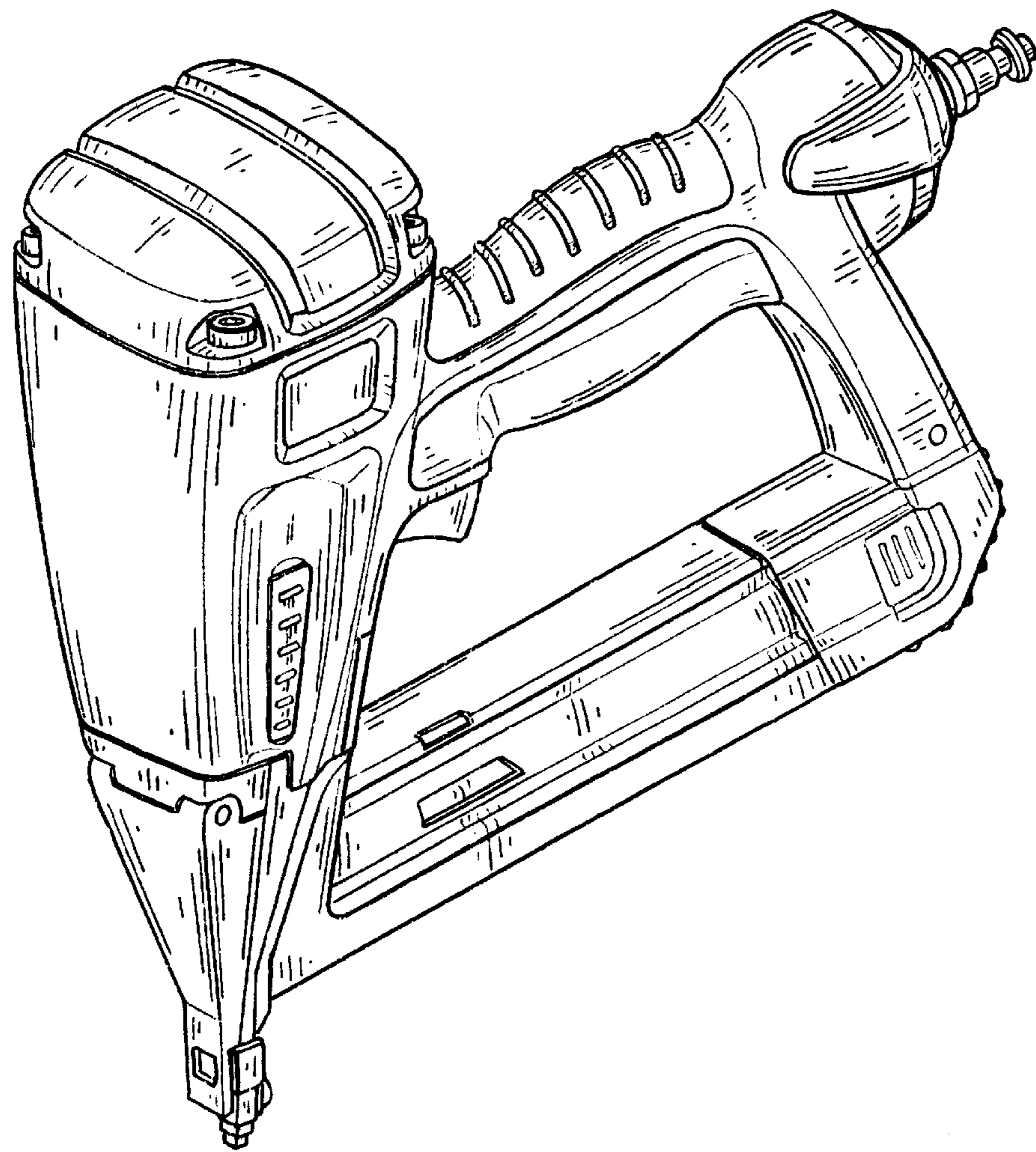


FIG. 1

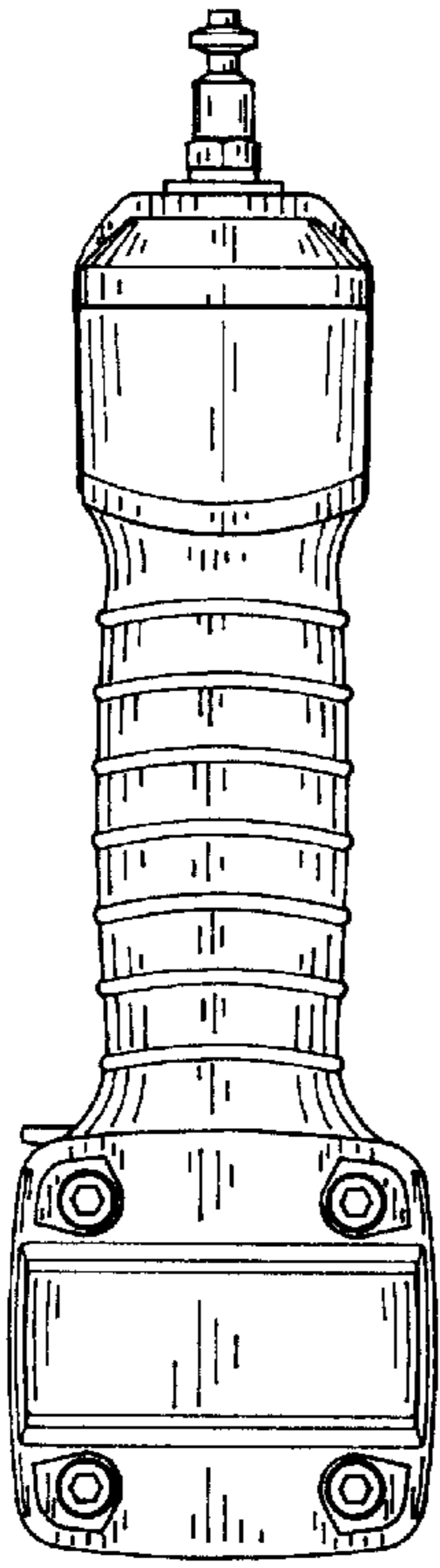


FIG. 2

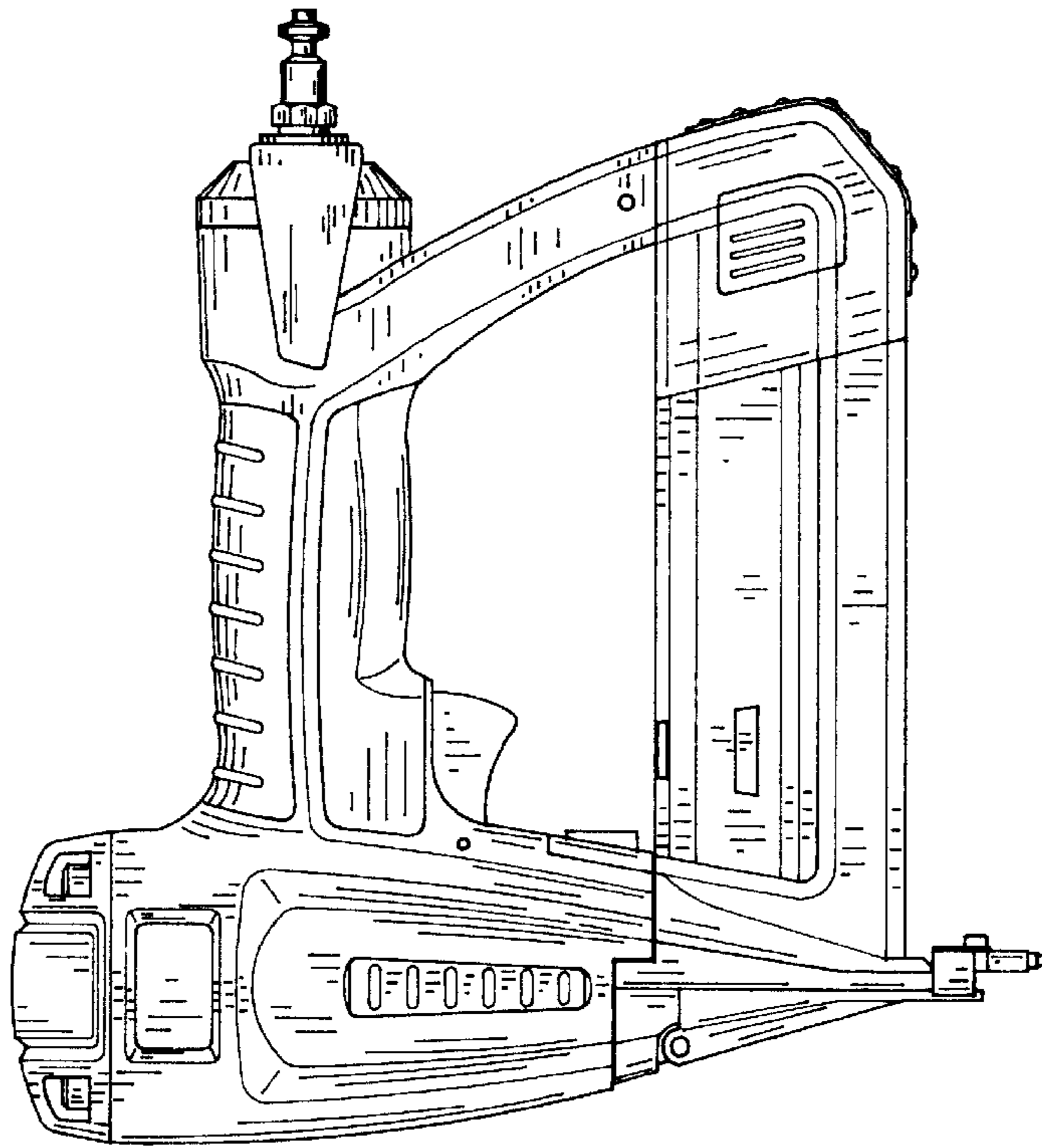


FIG. 4

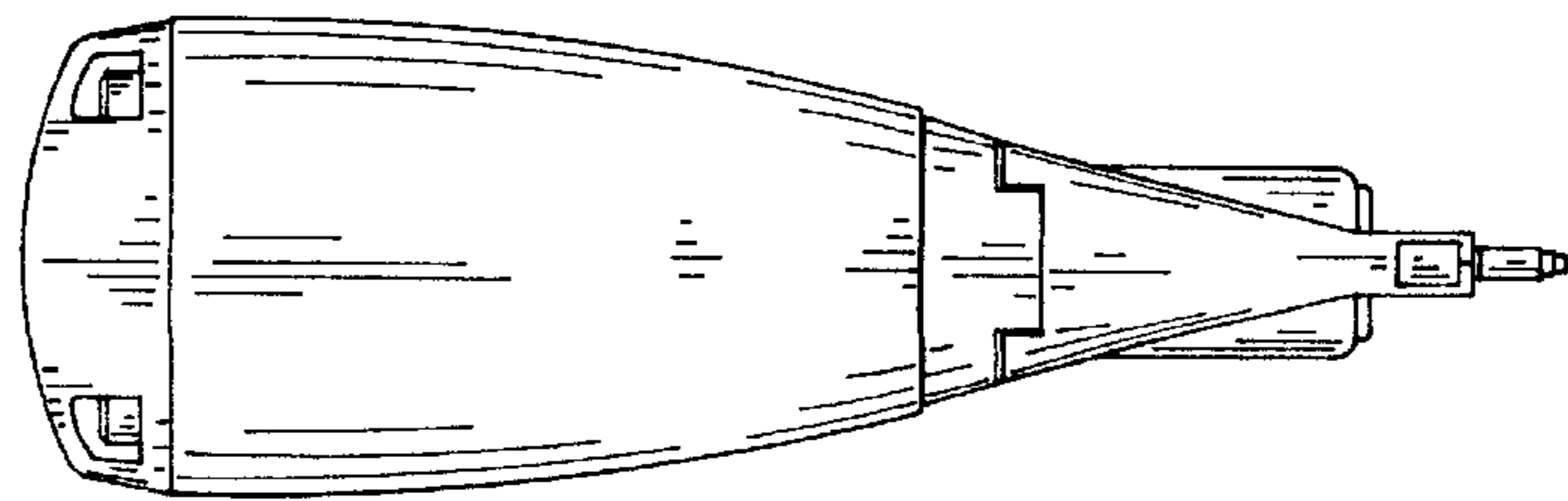


FIG. 3

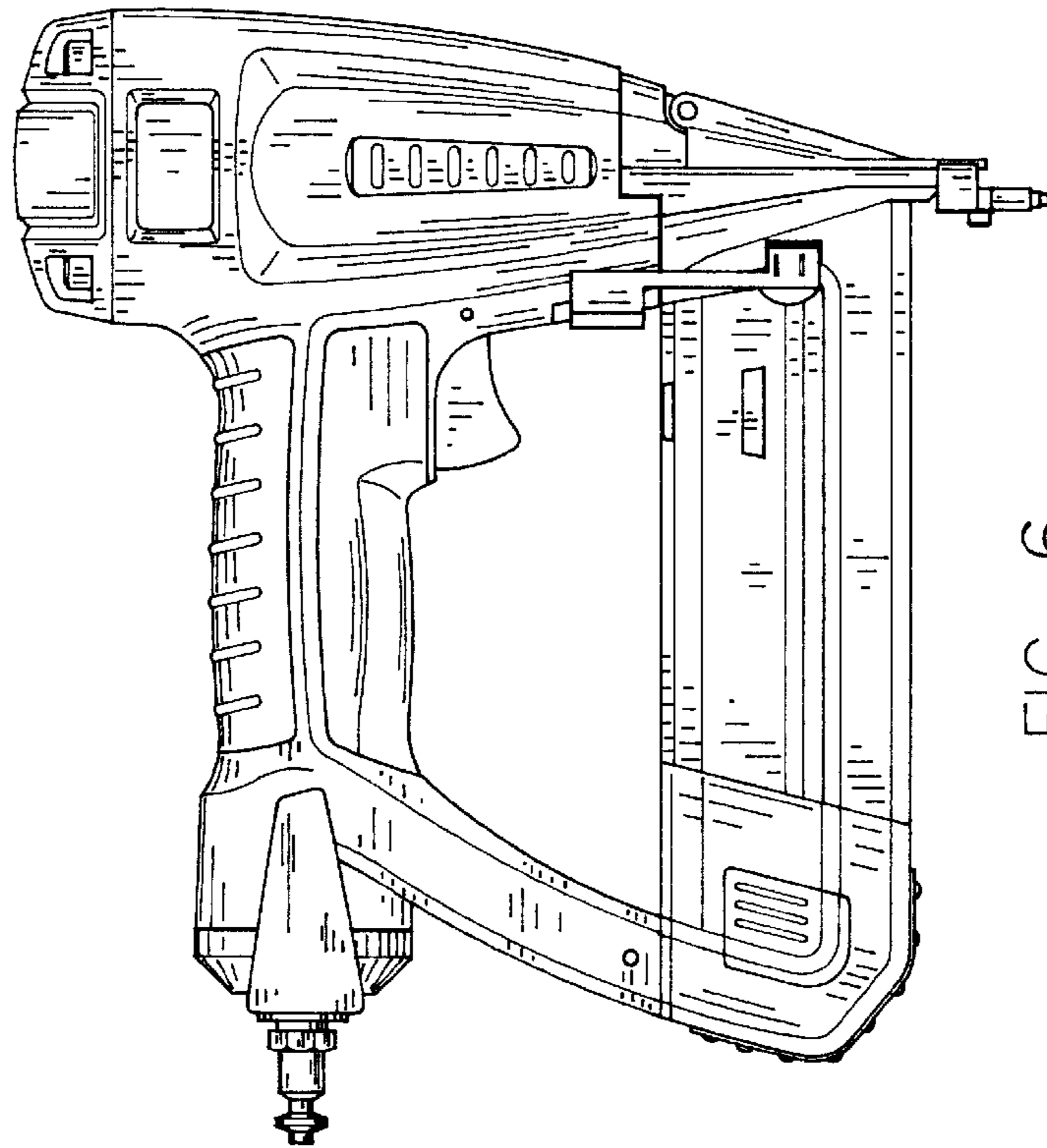


FIG. 6

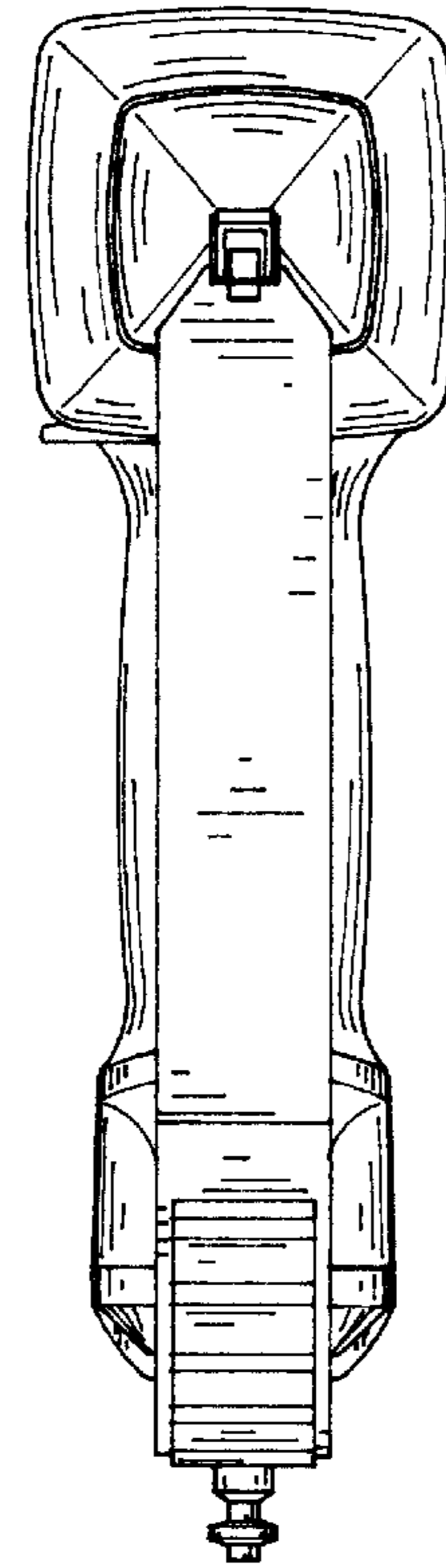


FIG. 7

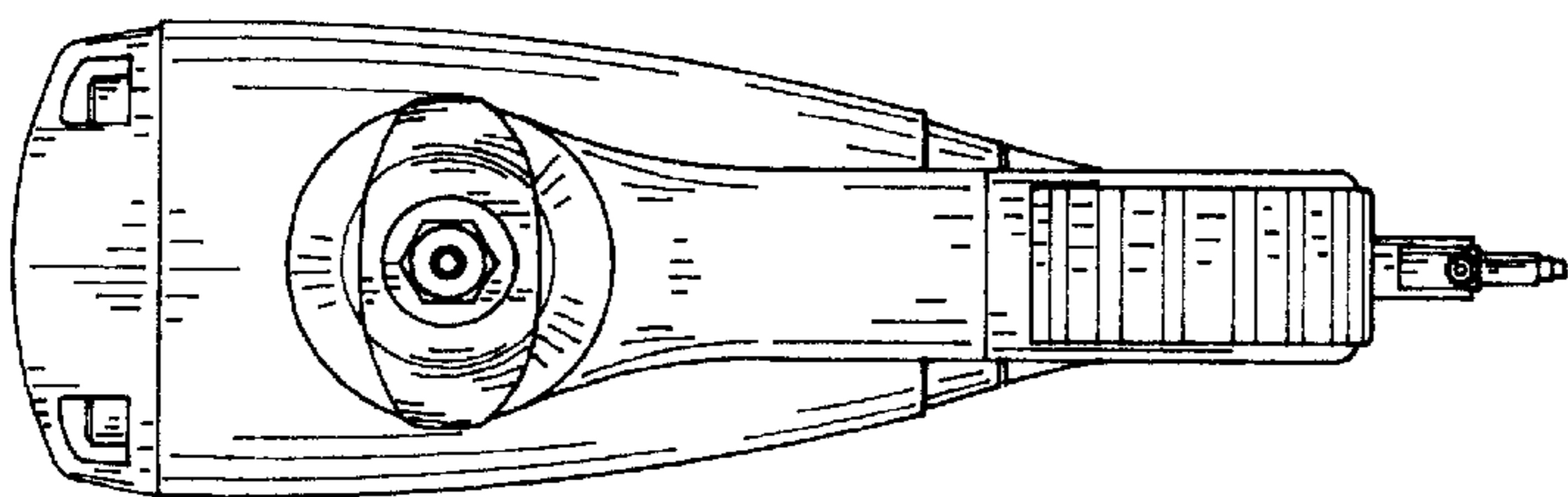


FIG. 5