



US00D527971S

(12) **United States Design Patent**  
**Kokawa**

(10) **Patent No.:** **US D527,971 S**  
(45) **Date of Patent:** **\*\* Sep. 12, 2006**

- (54) **PORTABLE ELECTRIC DRILL**
- (75) Inventor: **Kiyozumi Kokawa**, Anjo (JP)
- (73) Assignee: **Makita Corporation**, Anjo (JP)
- (\*\*) Term: **14 Years**
- (21) Appl. No.: **29/253,888**
- (22) Filed: **Feb. 15, 2006**

**Related U.S. Application Data**

- (62) Division of application No. 29/238,718, filed on Sep. 21, 2005.

(30) **Foreign Application Priority Data**

- Apr. 22, 2005 (JP) ..... 2005-012013
- Apr. 22, 2005 (JP) ..... 2005-012014

- (51) **LOC (8) Cl.** ..... **08-01**
- (52) **U.S. Cl.** ..... **D8/68**
- (58) **Field of Classification Search** ..... D8/14.1,  
D8/61, 62, 63, 64, 65, 66, 67, 68, 69, 70;  
81/57.11, 429, 464, 465, 466, 469, 489; 173/13,  
173/104, 114, 168, 169, 170, 171, 178, 201,  
173/211, 213, 217; 408/20, 124, 125, 234,  
408/241 R; 451/358; 310/50; 227/8, 114,  
227/120, 130, 136, 142; D13/103  
See application file for complete search history.

(56) **References Cited**

**U.S. PATENT DOCUMENTS**

- D378,268 S 3/1997 Schultz
- D386,662 S 11/1997 Tozawa et al.
- D419,413 S 1/2000 Heun
- D421,883 S 3/2000 Watson et al.
- D435,414 S 12/2000 Etter et al.
- D436,511 S 1/2001 Hayakawa et al.
- 6,308,378 B1 10/2001 Mooty et al.
- 6,552,904 B1 4/2003 Fung

- D481,672 S 11/2003 Niwa et al.
- D482,253 S 11/2003 Cooper et al.
- 6,840,335 B1 1/2005 Wu
- D501,384 S 2/2005 Wright et al.
- D501,779 S 2/2005 Watson
- D506,914 S 7/2005 Okuda
- D510,007 S 9/2005 Yamamoto
- D511,080 S 11/2005 Koch et al.
- D512,961 S 12/2005 Okuda et al.
- 6,984,188 B1 \* 1/2006 Potter et al. .... 173/178
- D514,909 S \* 2/2006 Bosch ..... D8/68
- D515,376 S \* 2/2006 Wacker et al. .... D8/68
- D515,381 S \* 2/2006 Ng ..... D8/68
- D516,504 S \* 3/2006 Okuda et al. .... D13/103
- D517,885 S \* 3/2006 Corcoran ..... D8/68
- 2002/0110431 A1 8/2002 Dils et al.
- 2005/0028997 A1 2/2005 Hagan et al.

**FOREIGN PATENT DOCUMENTS**

- GB 2065434 S 5/1997

\* cited by examiner

*Primary Examiner*—T. Chase Nelson  
(74) *Attorney, Agent, or Firm*—Oliff & Berridge, PLC

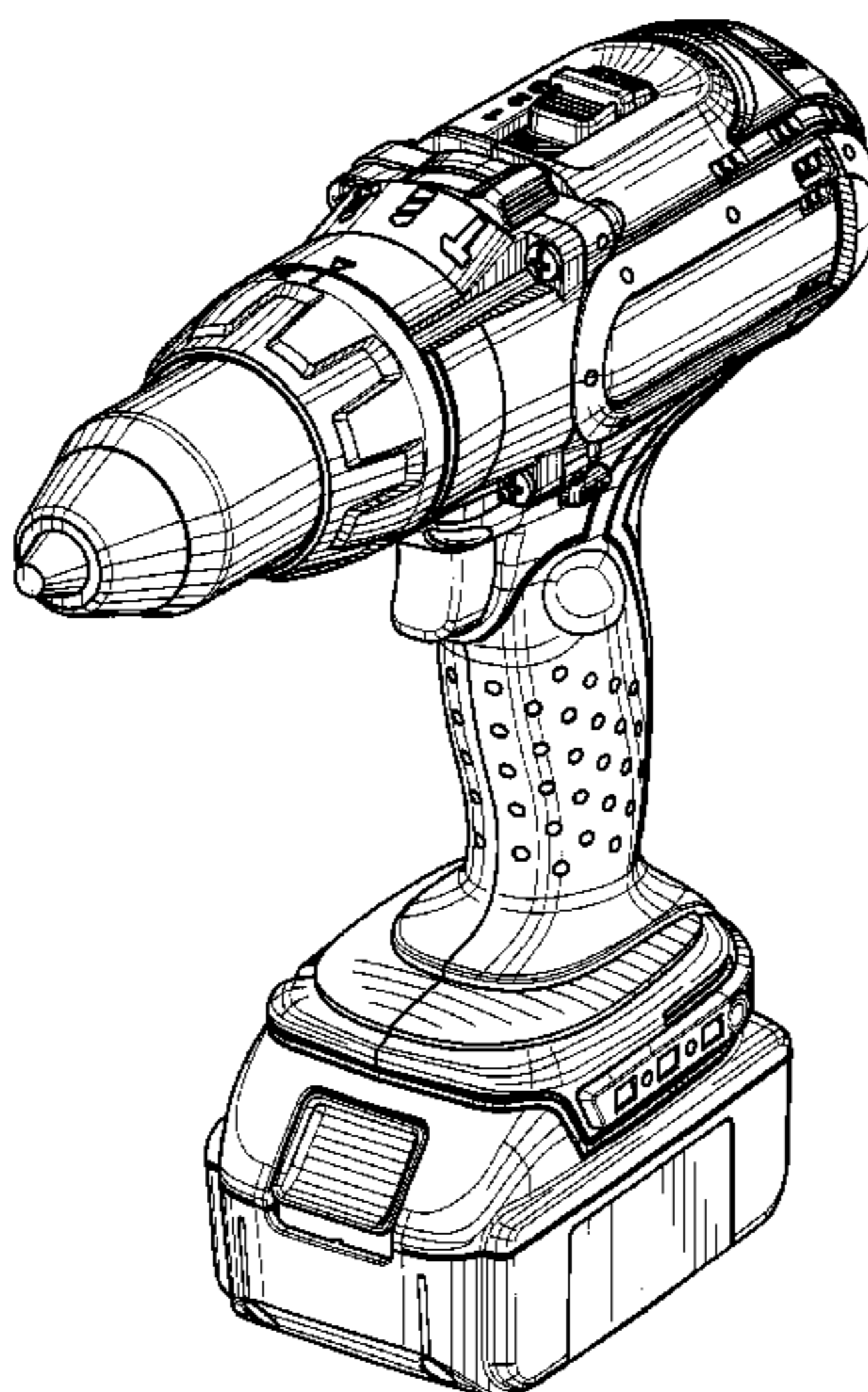
(57) **CLAIM**

The ornamental design for portable electric drill, as shown and described.

**DESCRIPTION**

FIG. 1 is a front perspective view of a portable electric drill; FIG. 2 is a rear perspective view thereof; FIG. 3 is a front perspective view thereof; FIG. 4 is a rear perspective view thereof; FIG. 5 is a left perspective view thereof; FIG. 6 is a right perspective view thereof; FIG. 7 is a top plan view thereof; and, FIG. 8 is a bottom view thereof. The broken lines are for illustrative purposes only and form no part of the claimed design.

**1 Claim, 6 Drawing Sheets**



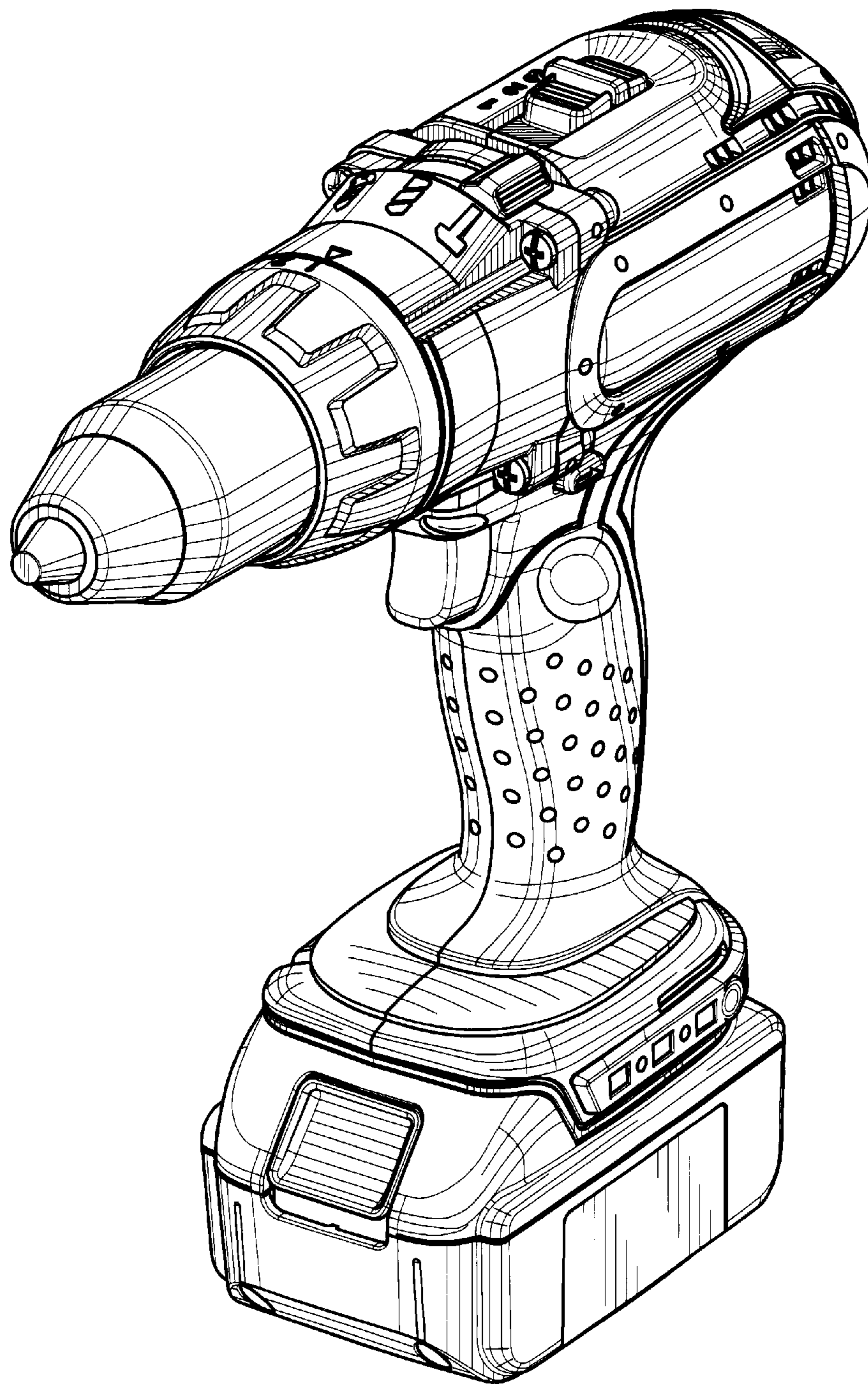


FIG. 1

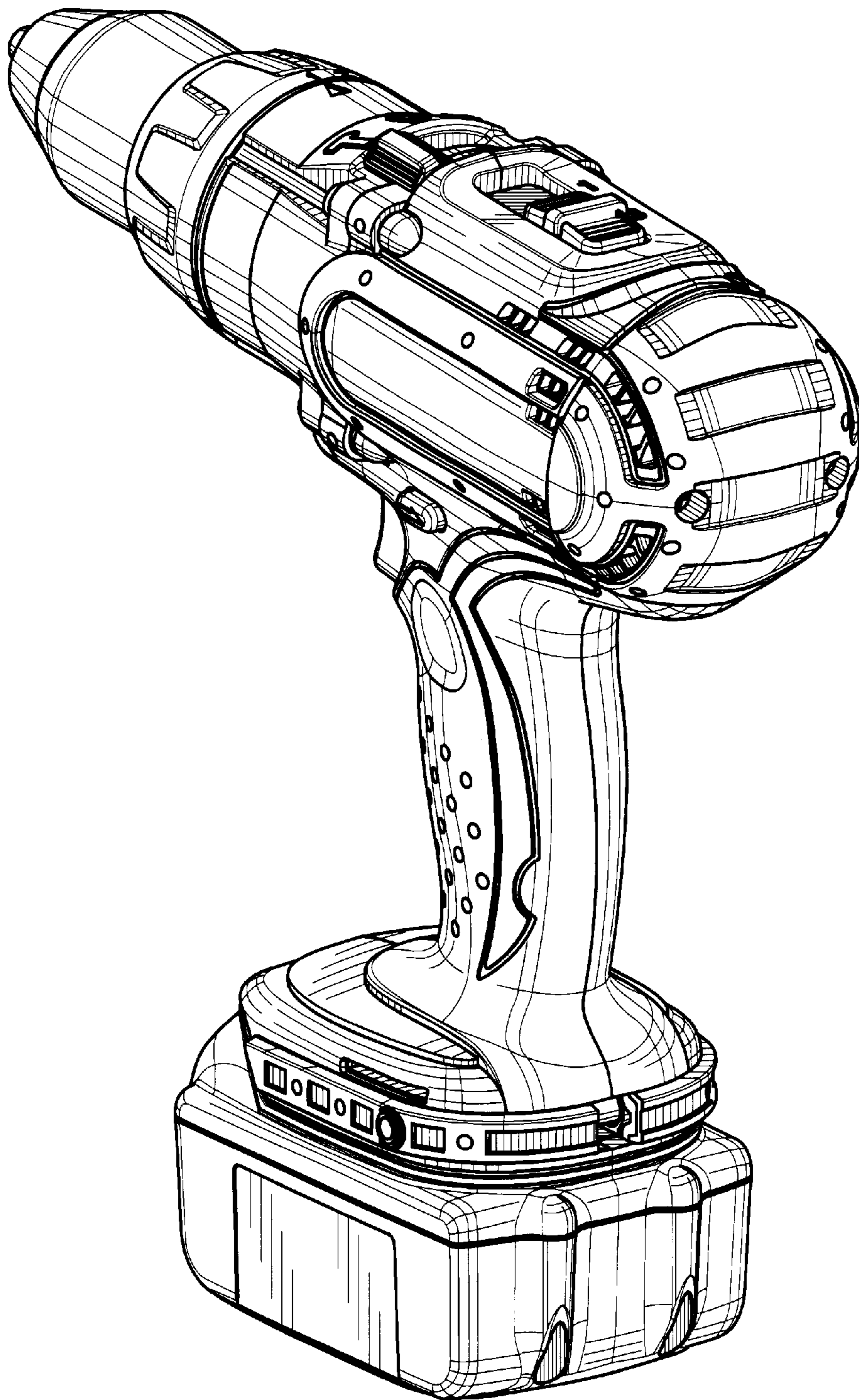


FIG. 2

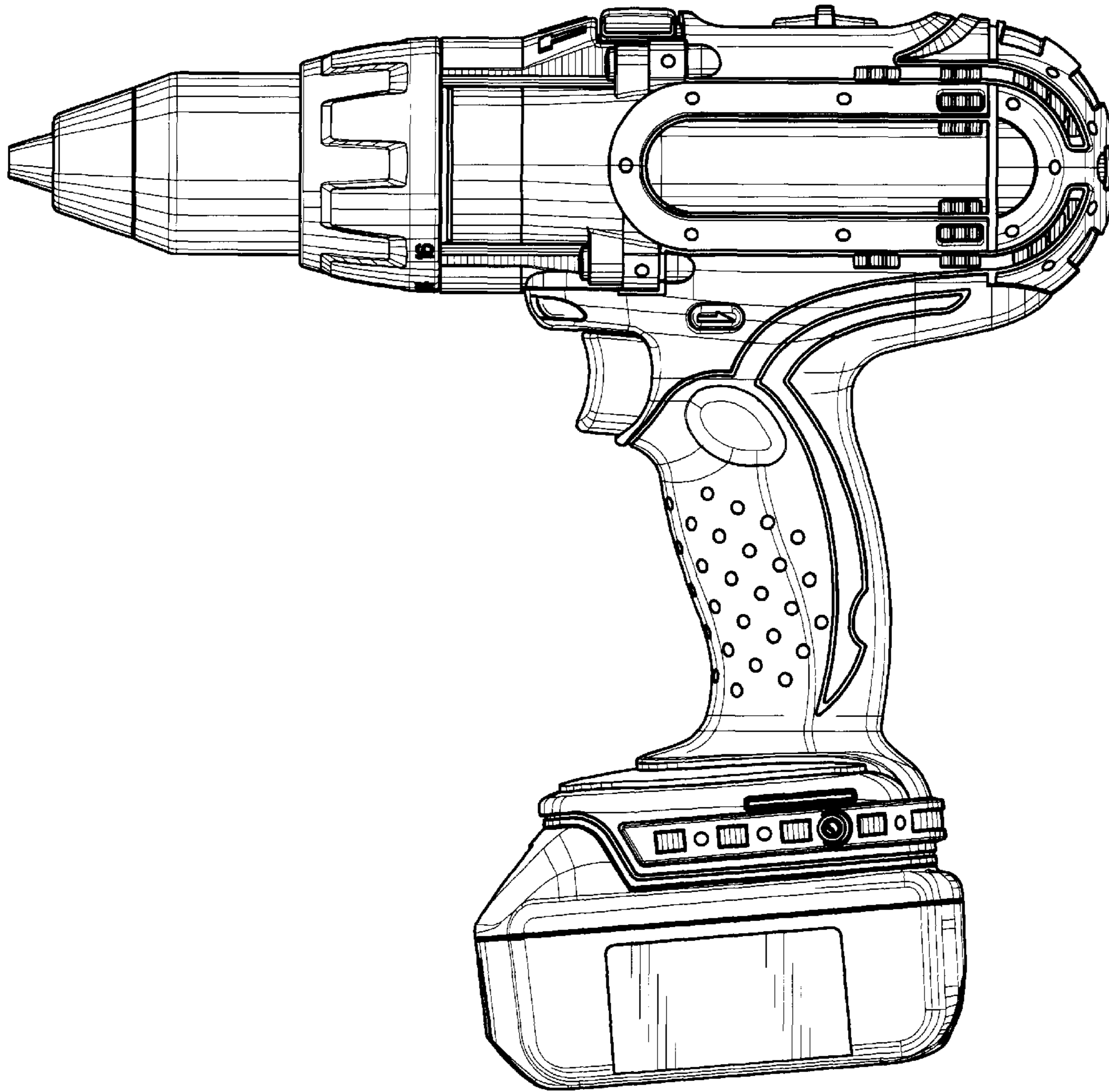


FIG. 3

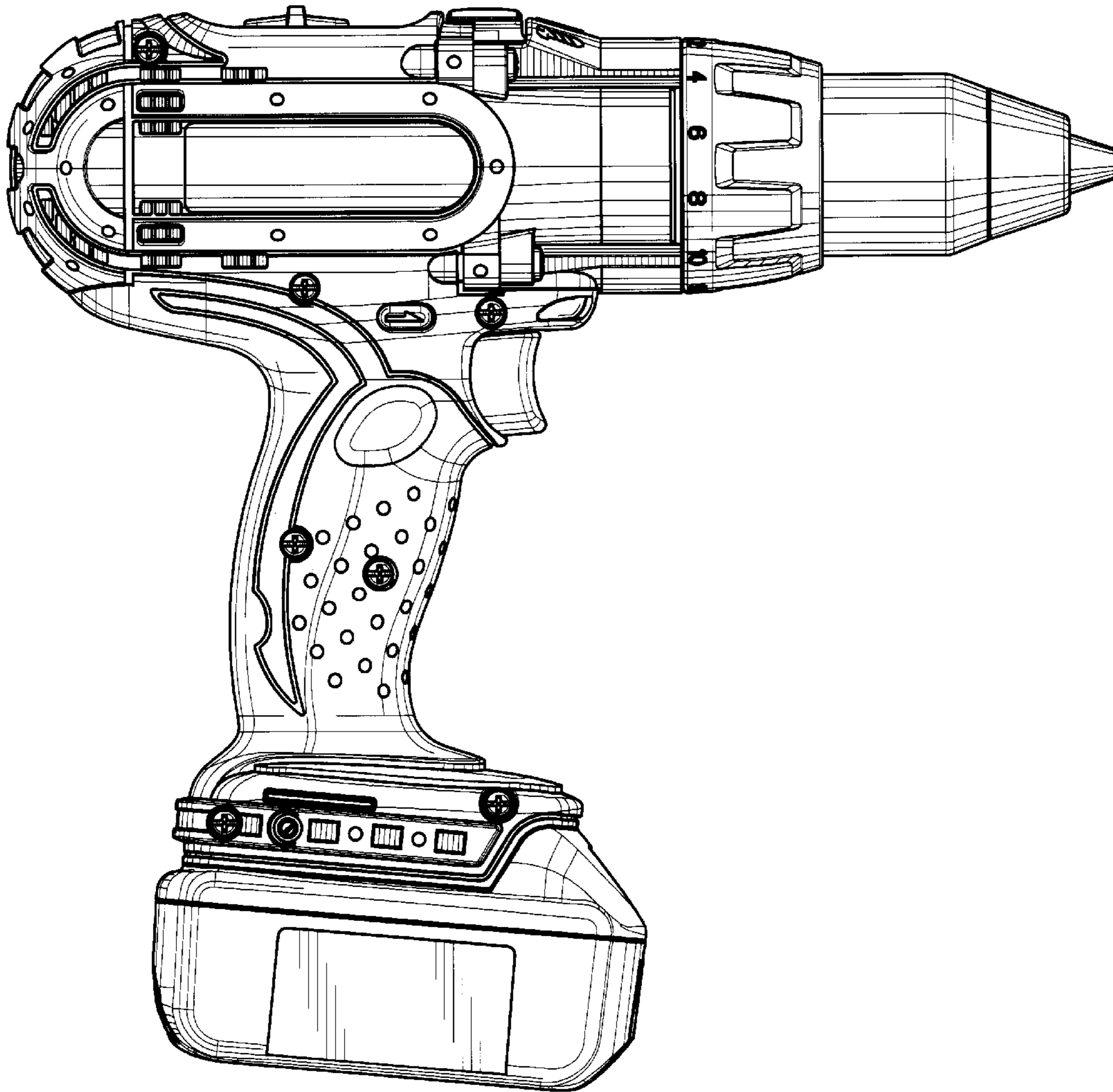


FIG. 4

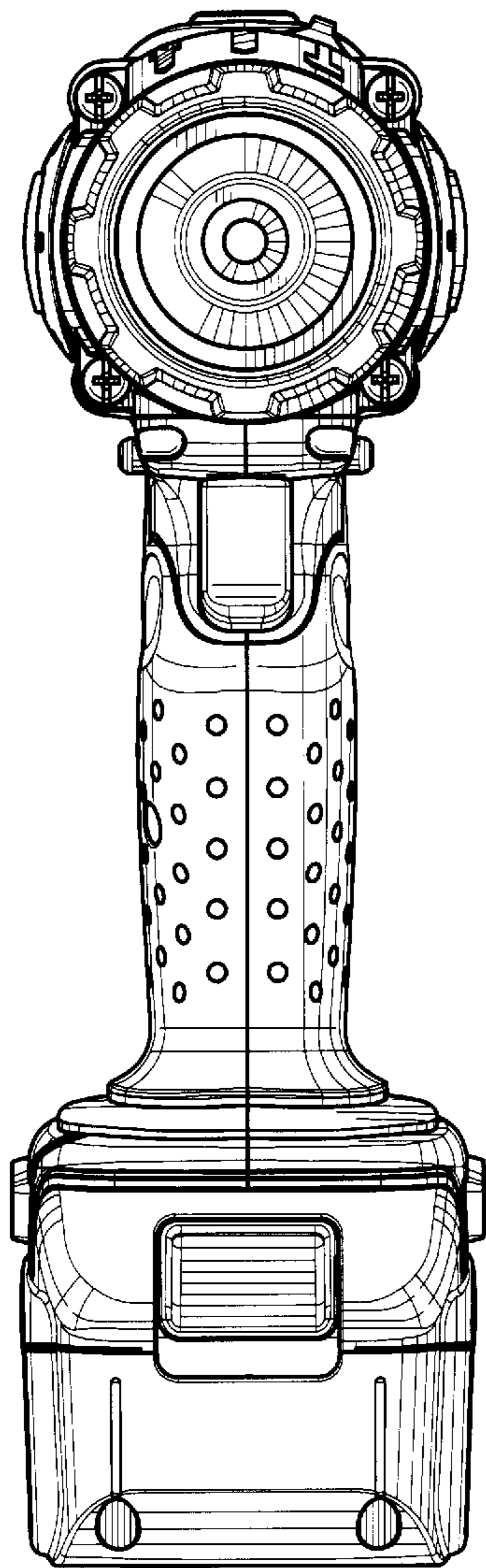


FIG. 5

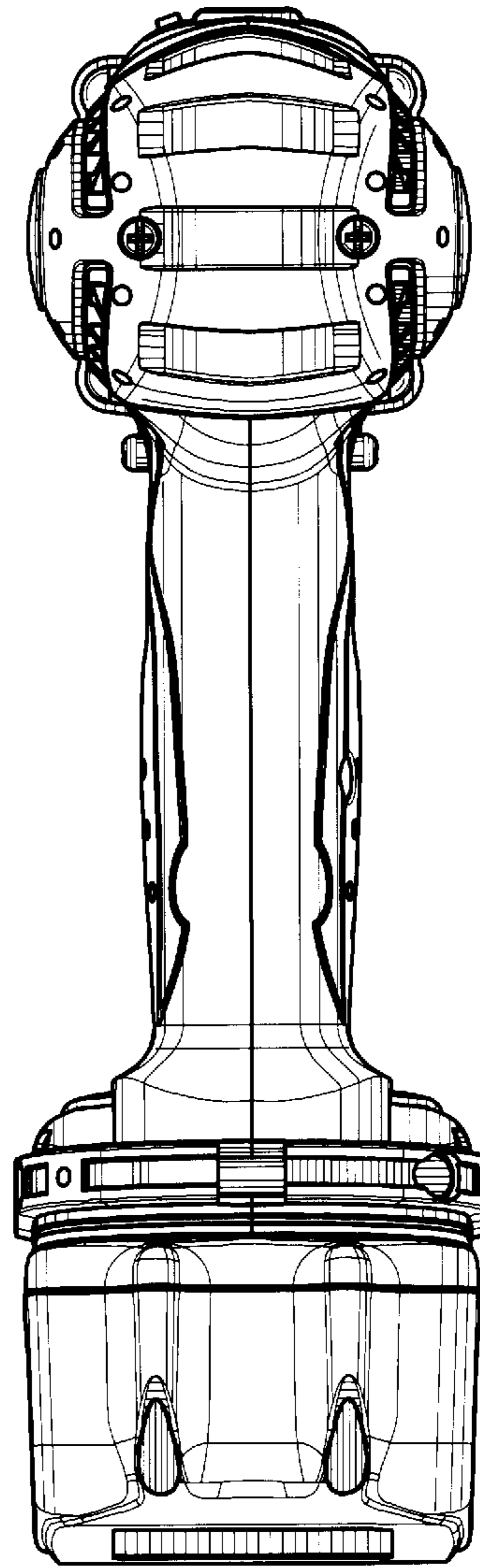


FIG. 6

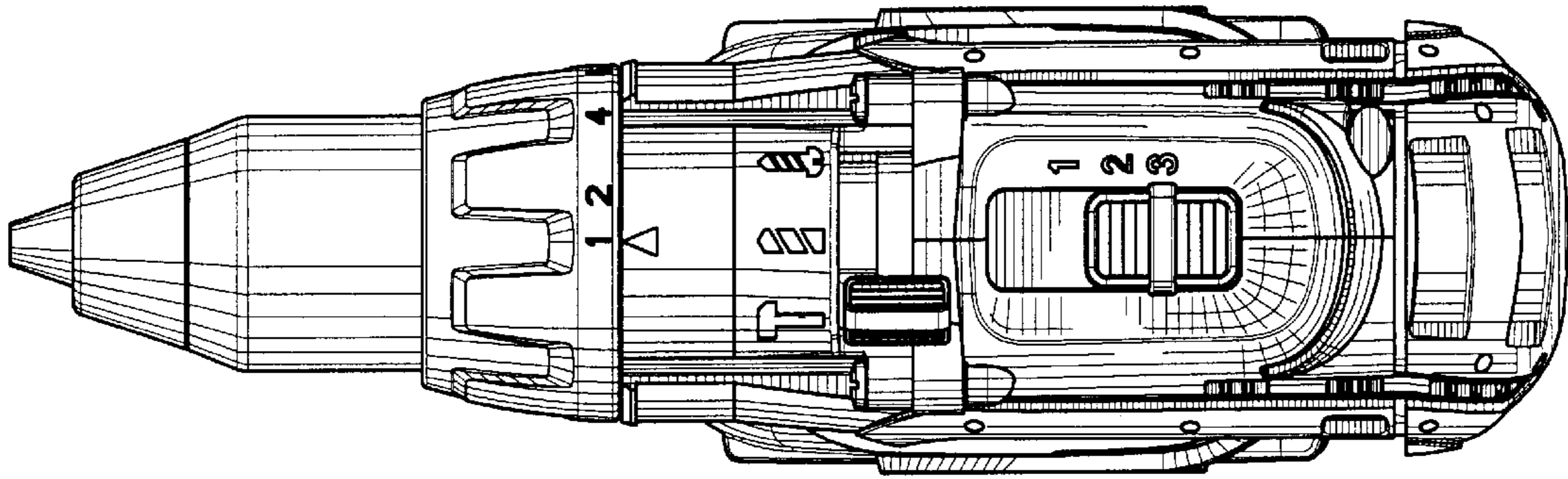


FIG. 7

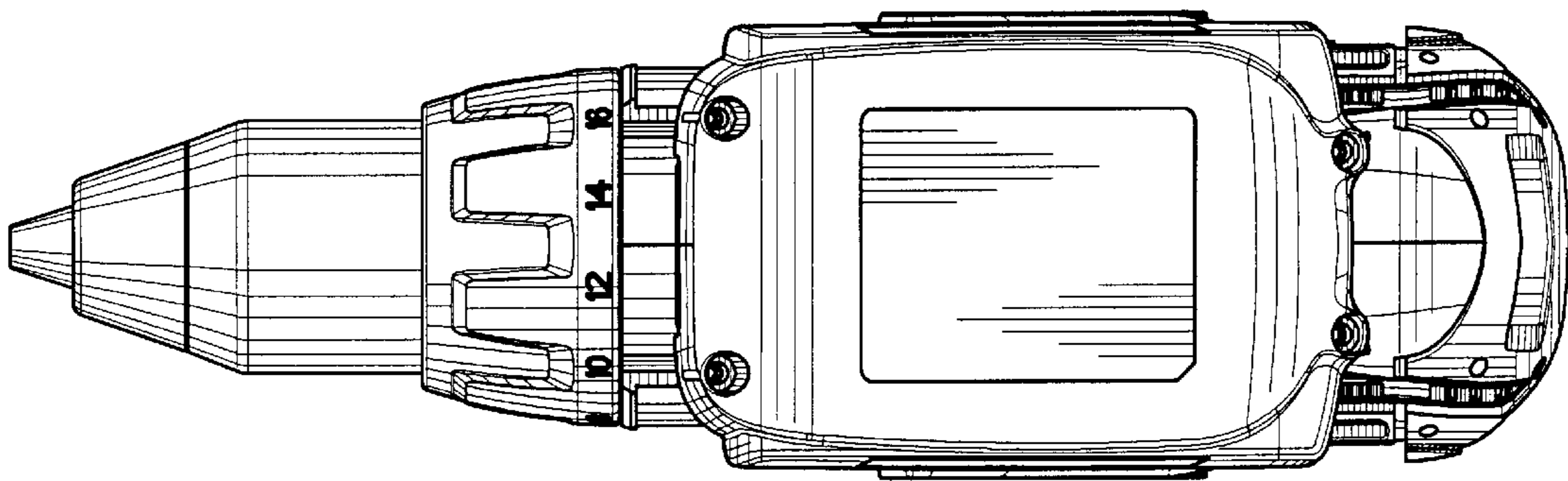


FIG. 8