

US00D527969S

(12) **United States Design Patent**
Okada et al.

(10) **Patent No.:** **US D527,969 S**

(45) **Date of Patent:** **** Sep. 12, 2006**

(54) **PORTABLE ELECTRIC HAMMER DRILL**

(75) Inventors: **Masanori Okada**, Hitachinaka (JP);
Masato Sakai, Hitachinaka (JP);
Hitoshi Tsuzuki, Hitachinaka (JP);
Takeshi Taniguchi, Hitachinaka (JP);
Takahiro Ookubo, Hitachinaka (JP)

(73) Assignee: **Hitachi Koki Co., Ltd.**, Tokyo (JP)

(**) Term: **14 Years**

(21) Appl. No.: **29/233,526**

(22) Filed: **Jul. 7, 2005**

(30) **Foreign Application Priority Data**

Jan. 7, 2005 (JP) 2005-000373

(51) **LOC (8) Cl.** **08-01**

(52) **U.S. Cl.** **D8/68**

(58) **Field of Classification Search** D8/14.1,
D8/61, 62, 63, 64, 65, 66, 67, 68, 69, 70;
81/57.11, 429, 464, 465, 466, 469, 489; 173/13,
173/104, 114, 168, 169, 170, 171, 178, 201,
173/211, 213, 217; 408/20, 124, 125, 234,
408/241 R; 451/358; 310/50; 227/8, 114,
227/120, 130, 136, 142

See application file for complete search history.

(56) **References Cited**

U.S. PATENT DOCUMENTS

4,479,555 A * 10/1984 Grossmann et al. 173/171
D280,797 S * 10/1985 Sakamoto et al. D8/68
5,036,925 A * 8/1991 Wache 173/104
5,159,986 A * 11/1992 Hoser 173/48
D342,878 S * 1/1994 Watanabe et al. D8/68
D343,105 S * 1/1994 Shibata et al. D8/68

D406,511 S * 3/1999 Zurwelle D8/68
D406,741 S * 3/1999 Zurwelle D8/68
D466,779 S * 12/2002 Shibata et al. D8/68
D488,978 S * 4/2004 Cheung D8/68
D492,565 S * 7/2004 Stirm D8/68
D502,374 S * 3/2005 Aglassinger D8/68
D502,375 S * 3/2005 Aglassinger D8/68
D507,950 S * 8/2005 Aglassinger D8/68
D511,286 S * 11/2005 Aglassinger D8/68
2004/0206522 A1 * 10/2004 Etter et al. 173/170
2005/0082072 A1 * 4/2005 Nicolantonio et al. 173/170
2005/0155778 A1 * 7/2005 Ishida et al. 173/170

FOREIGN PATENT DOCUMENTS

GB 2071774 S * 7/1997
GB 3001472 S * 2/2002
GB 3012073 S * 4/2003
GB 3018180 S * 7/2004

* cited by examiner

Primary Examiner—T. Chase Nelson

(74) *Attorney, Agent, or Firm*—Sughrue Mion, PLLC

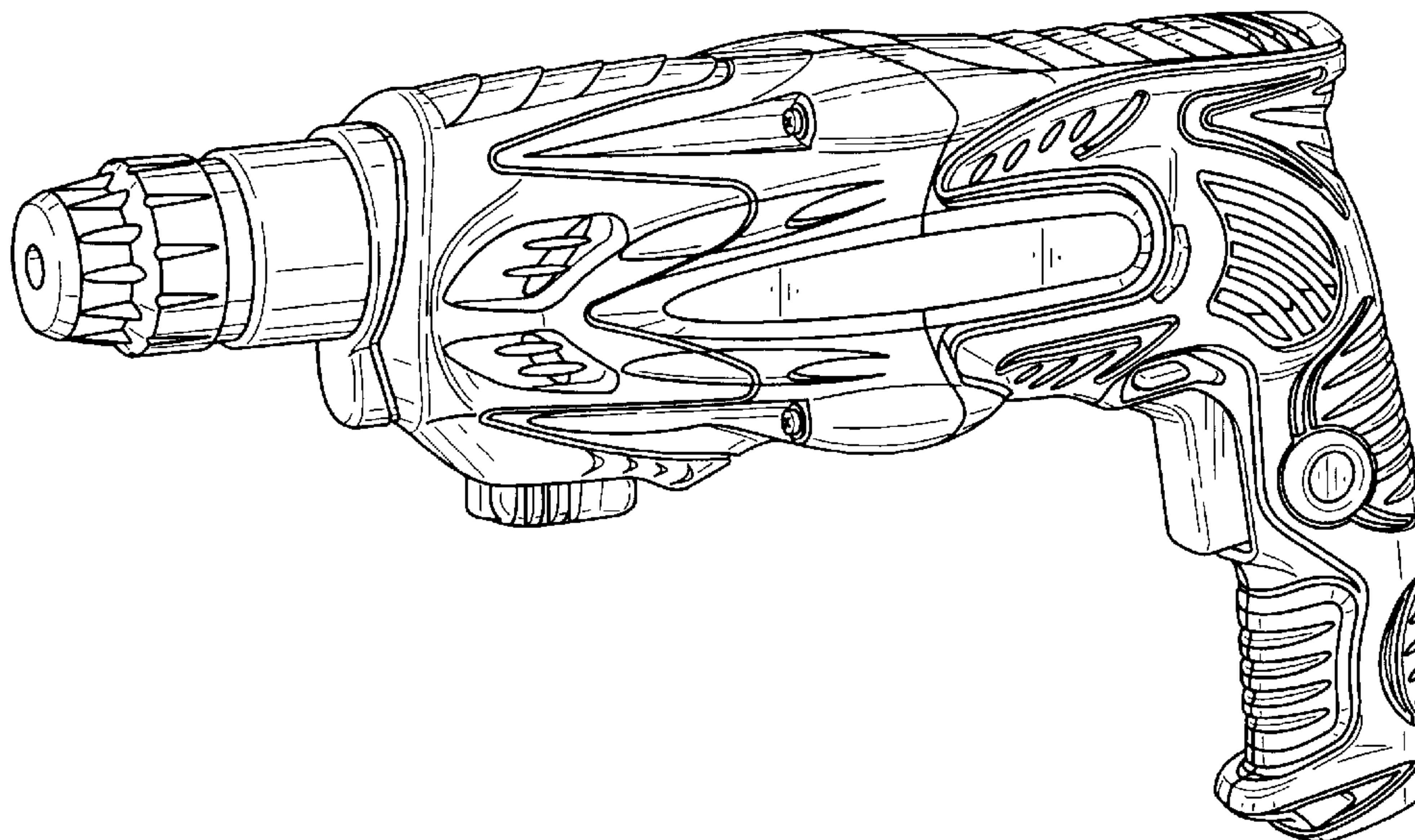
(57) **CLAIM**

The ornamental design for a portable electric hammer drill, as shown.

DESCRIPTION

FIG. 1 is a perspective view of the top, front and left side of a portable electric hammer drill showing our new design; FIG. 2 is a front elevational view thereof; FIG. 3 is a rear elevational view thereof; FIG. 4 is a top plan view thereof; FIG. 5 is a bottom plan view thereof; FIG. 6 is a left side elevational view thereof; and, FIG. 7 is a right side elevational view thereof.

1 Claim, 3 Drawing Sheets



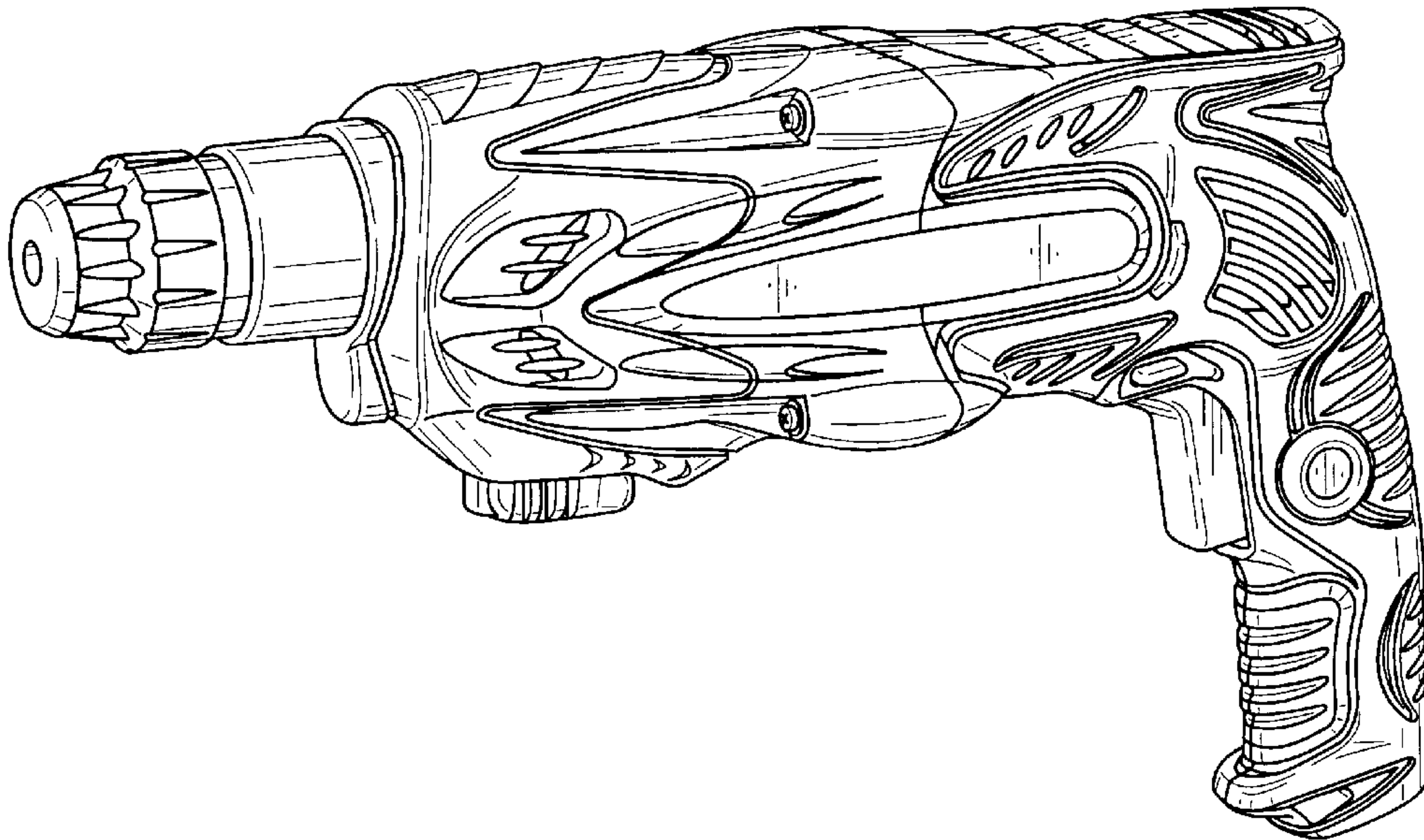


FIG. 1

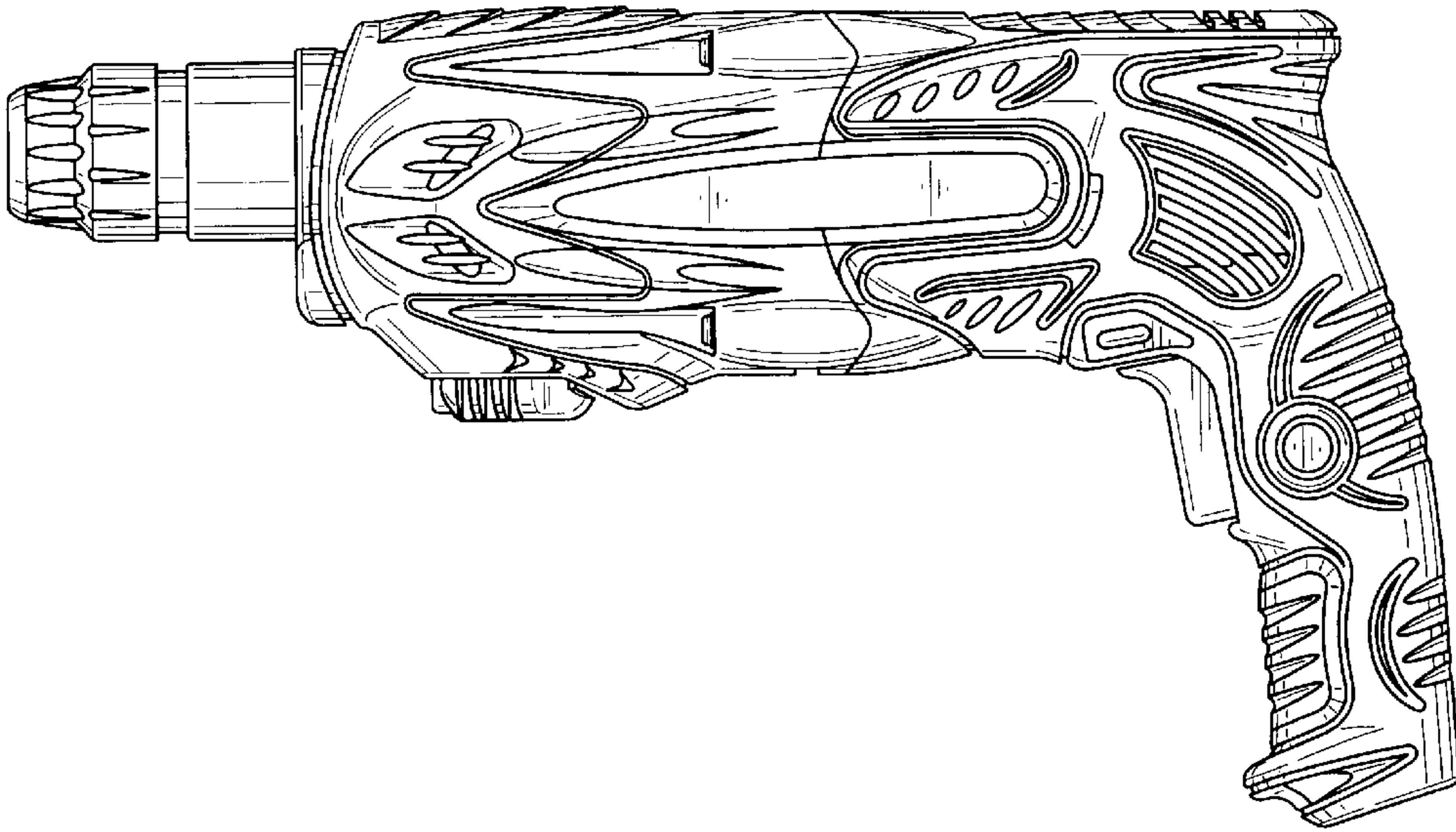


FIG. 2

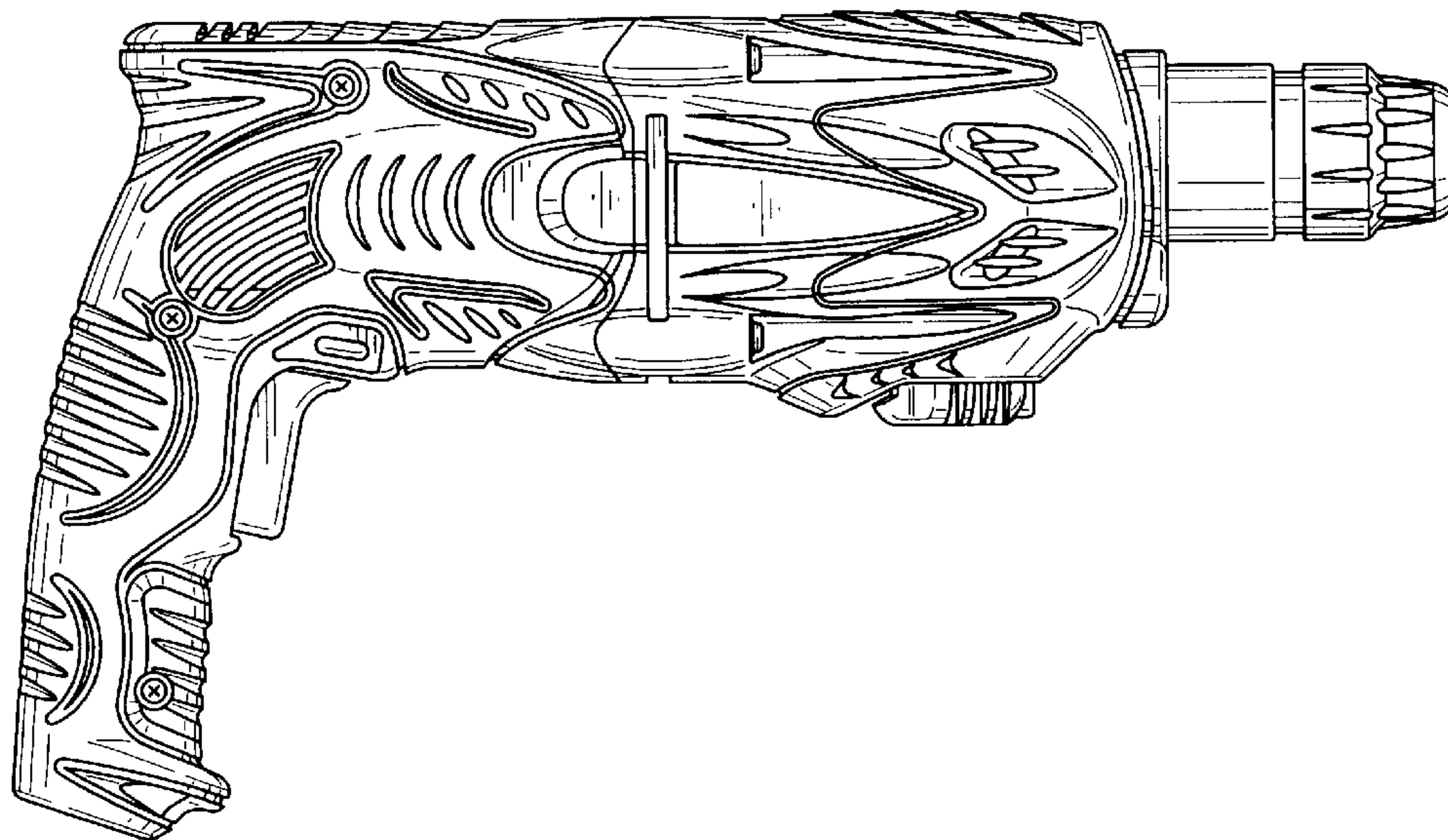


FIG. 3

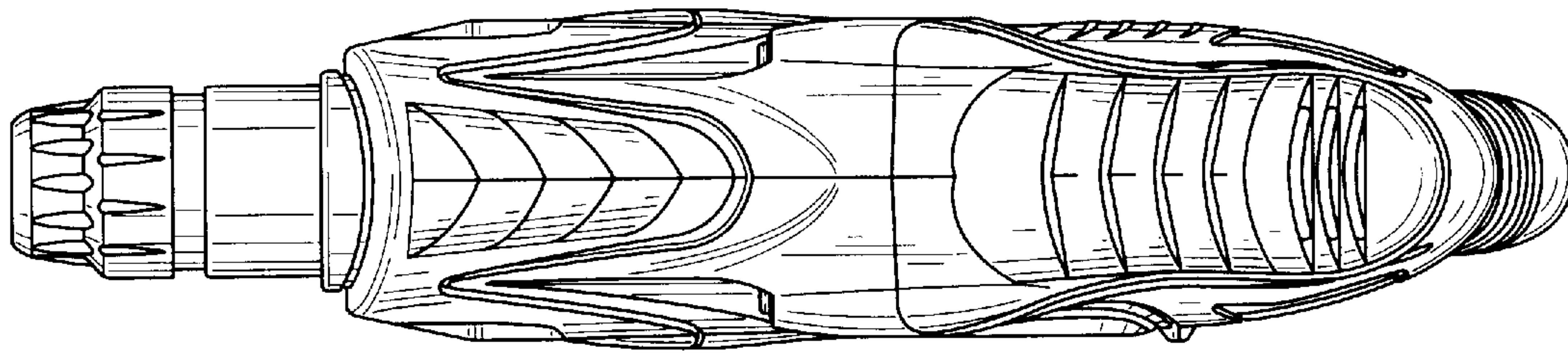


FIG. 4

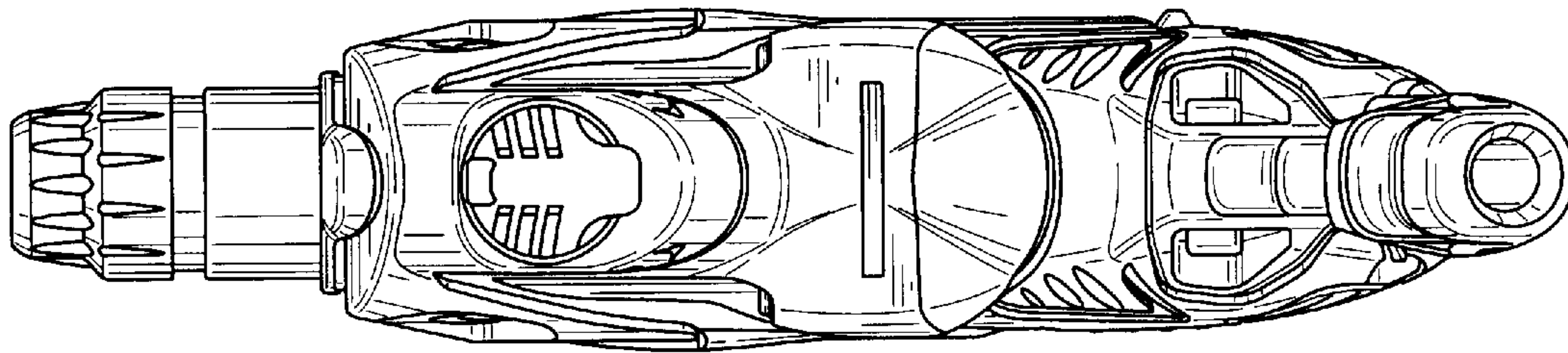


FIG. 5

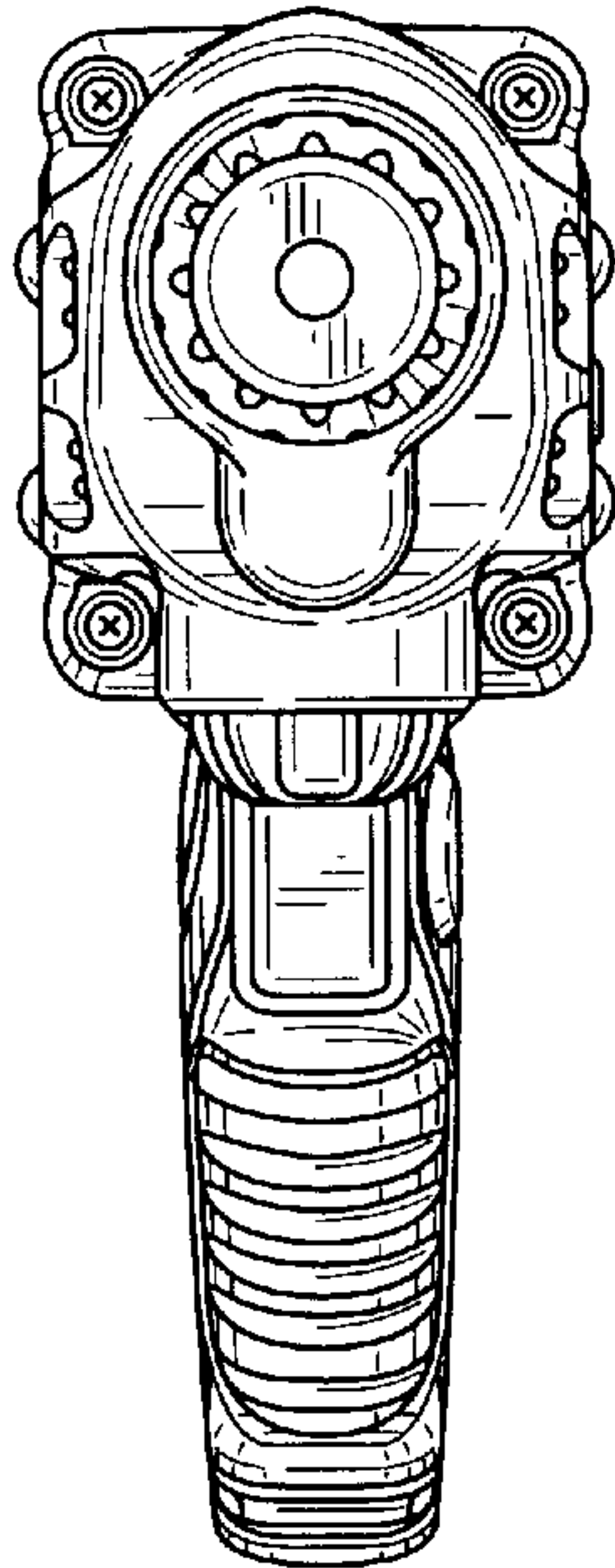


FIG. 6

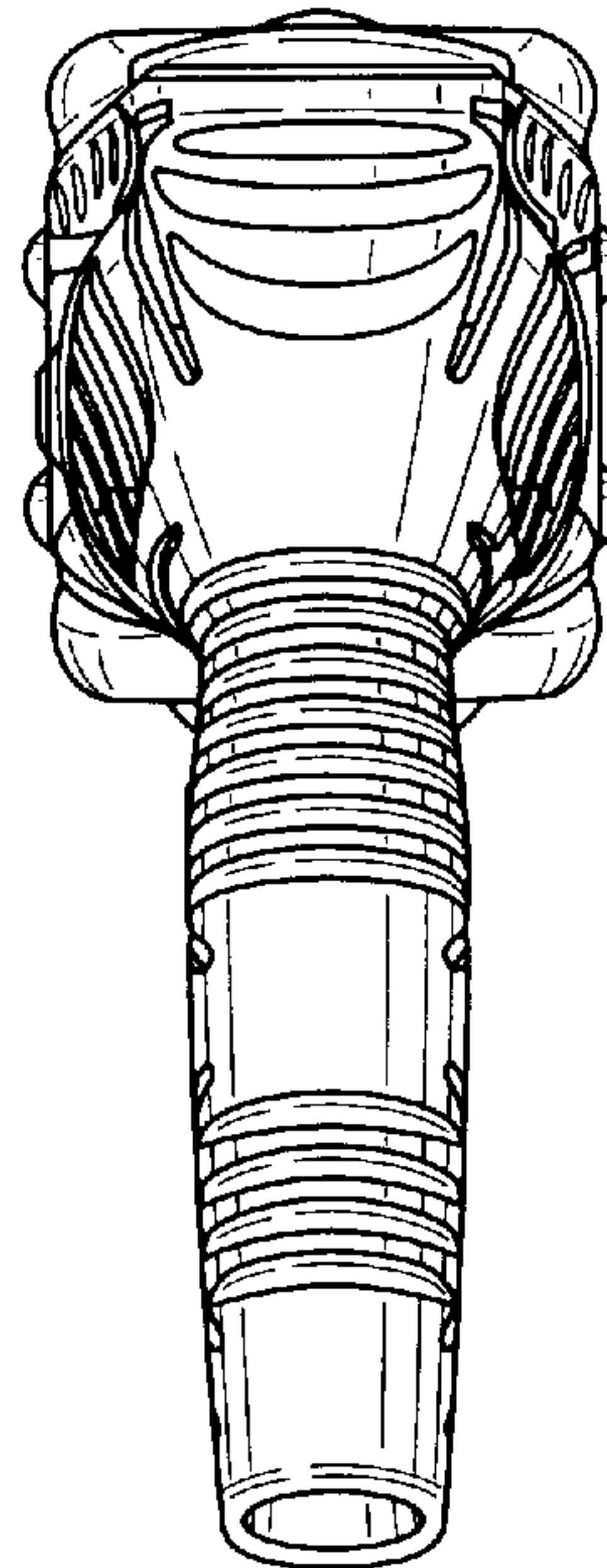


FIG. 7