



US00D527968S

(12) **United States Design Patent**
Netzler

(10) **Patent No.:** **US D527,968 S**

(45) **Date of Patent:** **** Sep. 12, 2006**

- (54) **JIGSAW**
- (75) Inventor: **Sion Netzler**, Newton Aycliffe (GB)
- (73) Assignee: **Black & Decker Inc.**, Newark, DE (US)
- (**) Term: **14 Years**
- (21) Appl. No.: **29/216,915**
- (22) Filed: **Nov. 10, 2004**
- (30) **Foreign Application Priority Data**
May 14, 2004 (GB) 3017300
- (51) **LOC (8) Cl.** **08-03**
- (52) **U.S. Cl.** **D8/64**
- (58) **Field of Classification Search** D8/69,
D8/68, 67, 66, 64, 61; 83/747, 699.21; 310/50;
30/394, 393, 392, 391, 390, 377, 376; 173/217,
173/216
See application file for complete search history.

- D404,274 S 1/1999 Ogasawara et al.
- D409,469 S 5/1999 Niwa et al.
- D410,183 S 5/1999 Thomson
- D414,094 S 9/1999 Heun
- D420,876 S 2/2000 Bosten et al.
- D423,314 S 4/2000 Robson
- D426,124 S 6/2000 Kassalen et al.
- D440,474 S 4/2001 Heun
- D446,703 S 8/2001 Netzler
- D451,356 S 12/2001 Pretzell
- D462,591 S 9/2002 Gist
- D463,963 S * 10/2002 Metaxatos et al. D8/64
- D468,983 S 1/2003 Kondo et al.
- D474,384 S 5/2003 Andriolo
- D475,264 S 6/2003 Kondo et al.
- D476,871 S 7/2003 Santarsiero et al.
- D484,381 S 12/2003 Yamada et al.
- D486,711 S 2/2004 Tam et al.
- D489,239 S * 5/2004 Keller D8/64
- D505,851 S * 6/2005 Waldron D8/64
- 2002/0124419 A1 * 9/2002 Hirabayashi 30/329
- 2003/0167641 A1 * 9/2003 Teng 30/337
- 2003/0196338 A1 * 10/2003 Eto et al. 30/392
- 2005/0229408 A1 * 10/2005 Ngan et al. 30/376

* cited by examiner

Primary Examiner—Cathron C. Brooks
Assistant Examiner—Austin Murphy
(74) *Attorney, Agent, or Firm*—Michael P. Leary; Charles E. Yocum; Adan Ayala

(56) **References Cited**
U.S. PATENT DOCUMENTS

- D175,185 S 7/1955 Oakley
- D191,570 S 10/1961 Downs
- D192,134 S 1/1962 Johnson
- 3,494,390 A * 2/1970 Dudek 30/394
- 3,863,342 A * 2/1975 Griffies et al. 30/393
- 3,971,132 A * 7/1976 Griffies et al. 30/393
- D282,625 S 2/1986 Schultz et al.
- D287,930 S 1/1987 Somers
- 4,693,009 A * 9/1987 Bone 30/392
- D295,945 S 5/1988 Sakamoto et al.
- D297,208 S 8/1988 Somers
- D297,401 S 8/1988 Clowers
- D329,005 S 9/1992 Hoshino
- 5,205,043 A * 4/1993 Batt et al. 30/393
- D337,709 S 7/1993 Ogawa et al.
- D339,276 S 9/1993 Matsuoka et al.
- 5,727,322 A * 3/1998 Giacometti 30/376
- 5,765,463 A * 6/1998 Okubo et al. 83/747
- 5,819,421 A * 10/1998 Giacometti et al. 30/392

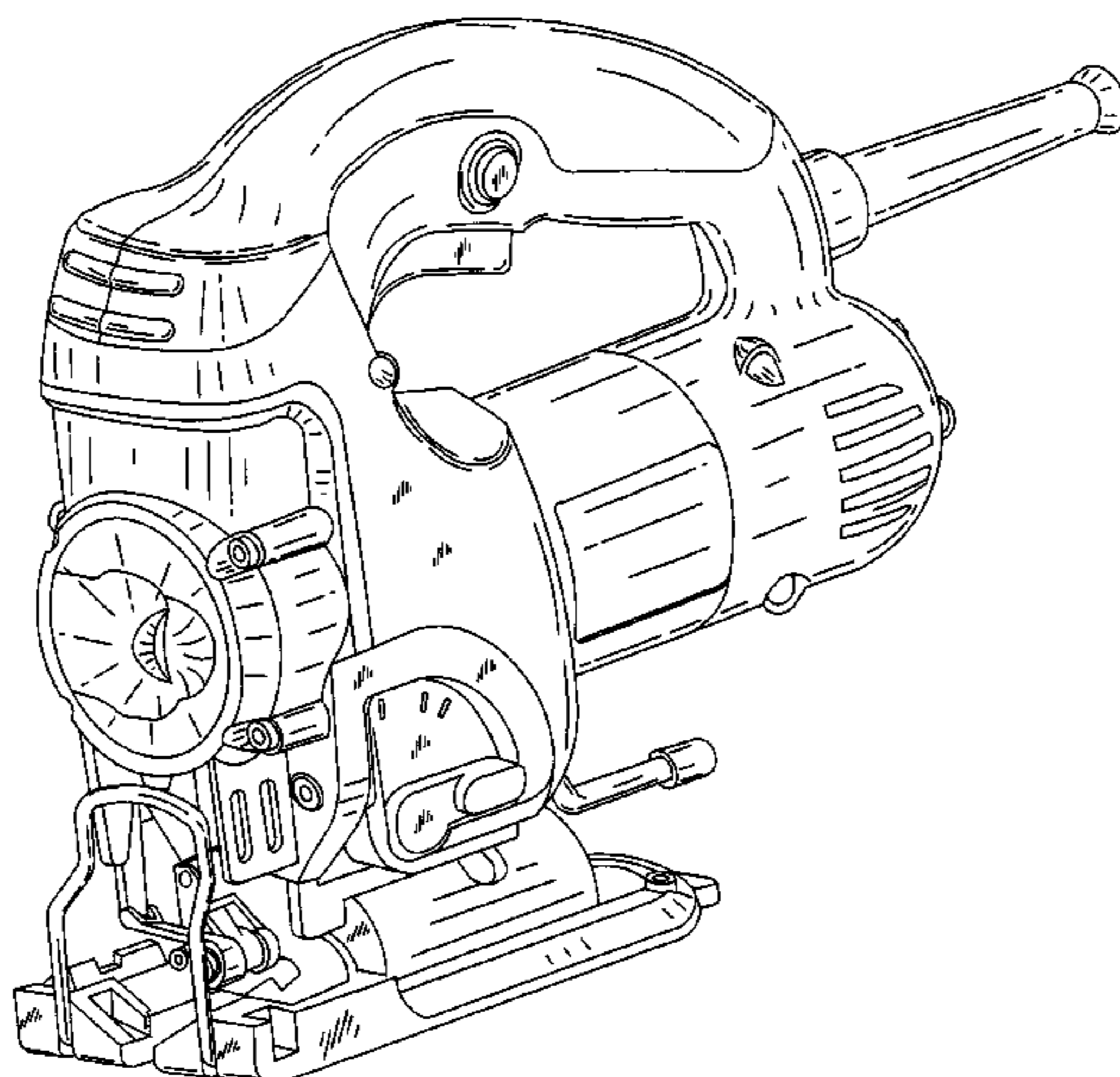
(57) **CLAIM**

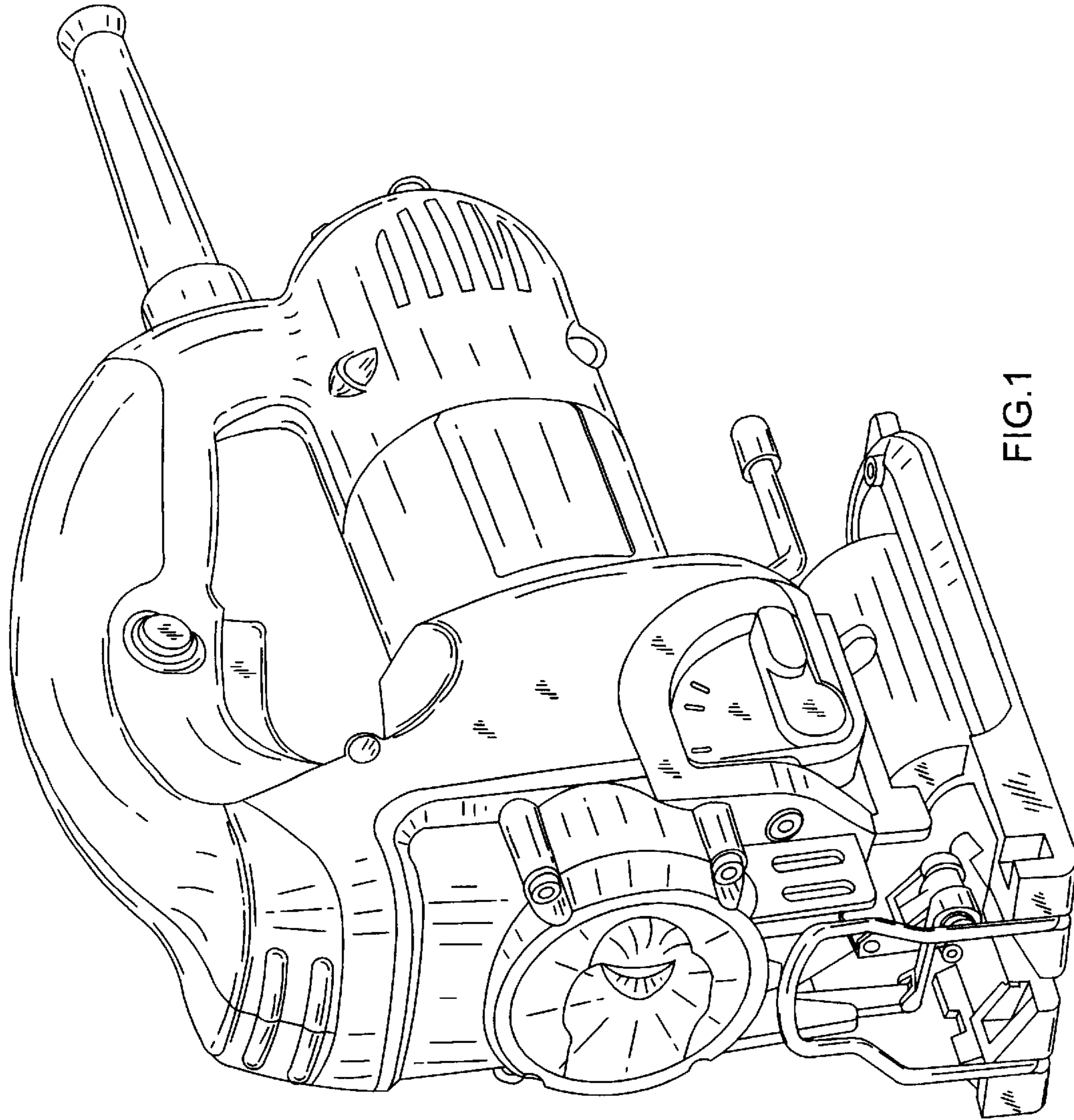
The ornamental design for a jigsaw, as shown and described.

DESCRIPTION

FIG. 1 is a perspective view of a jigsaw showing my new design.
FIG. 2 is a left side view of a jigsaw according to FIG. 1.
FIG. 3 is a right side view of a jigsaw according to FIG. 1.
FIG. 4 is a top view of a jigsaw according to FIG. 1.
FIG. 5 is a bottom view of a jigsaw according to FIG. 1.
FIG. 6 is a front view of a jigsaw according to FIG. 1; and,
FIG. 7 is a rear view of a jigsaw according to FIG. 1.

1 Claim, 5 Drawing Sheets





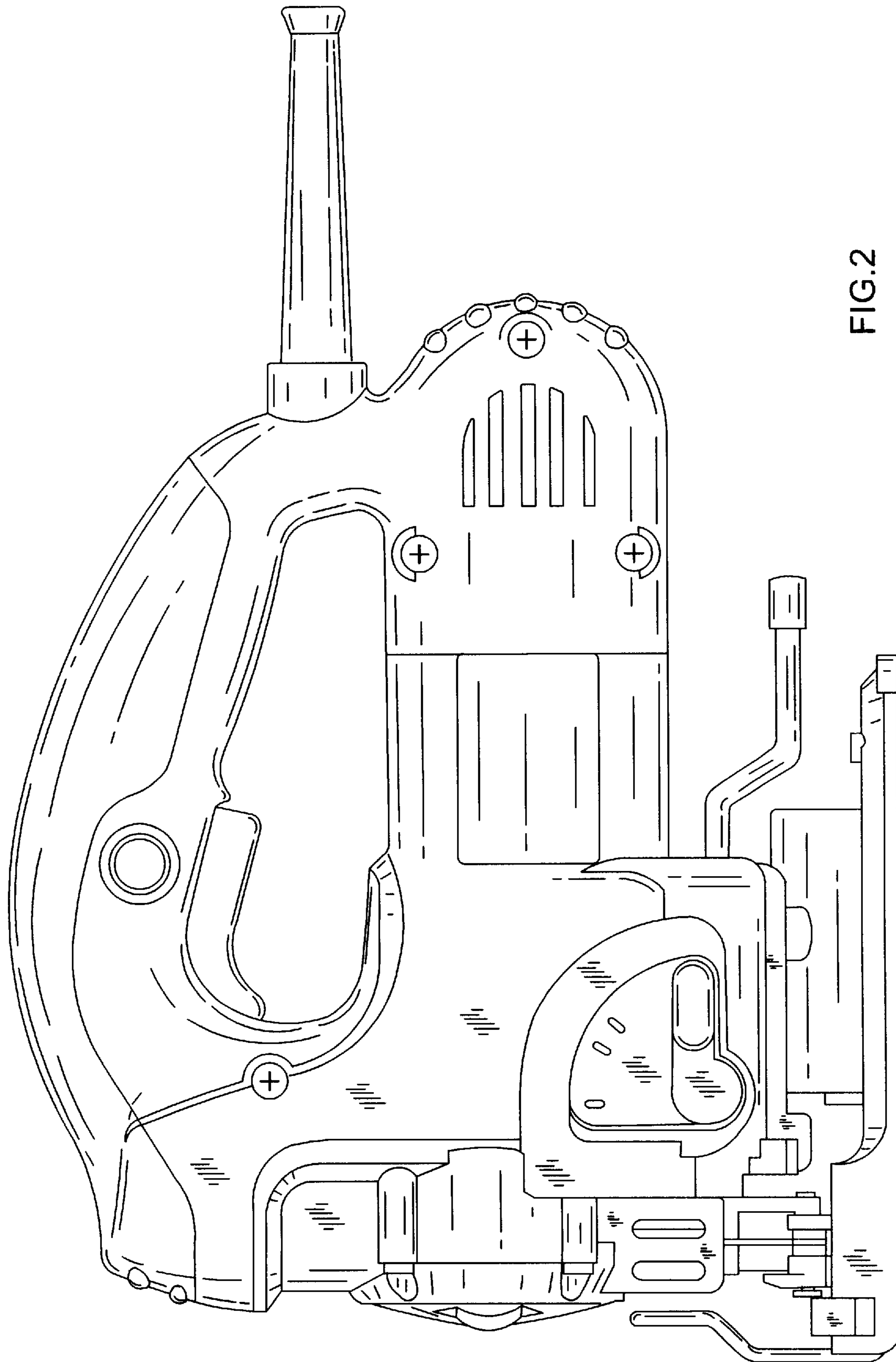


FIG.2

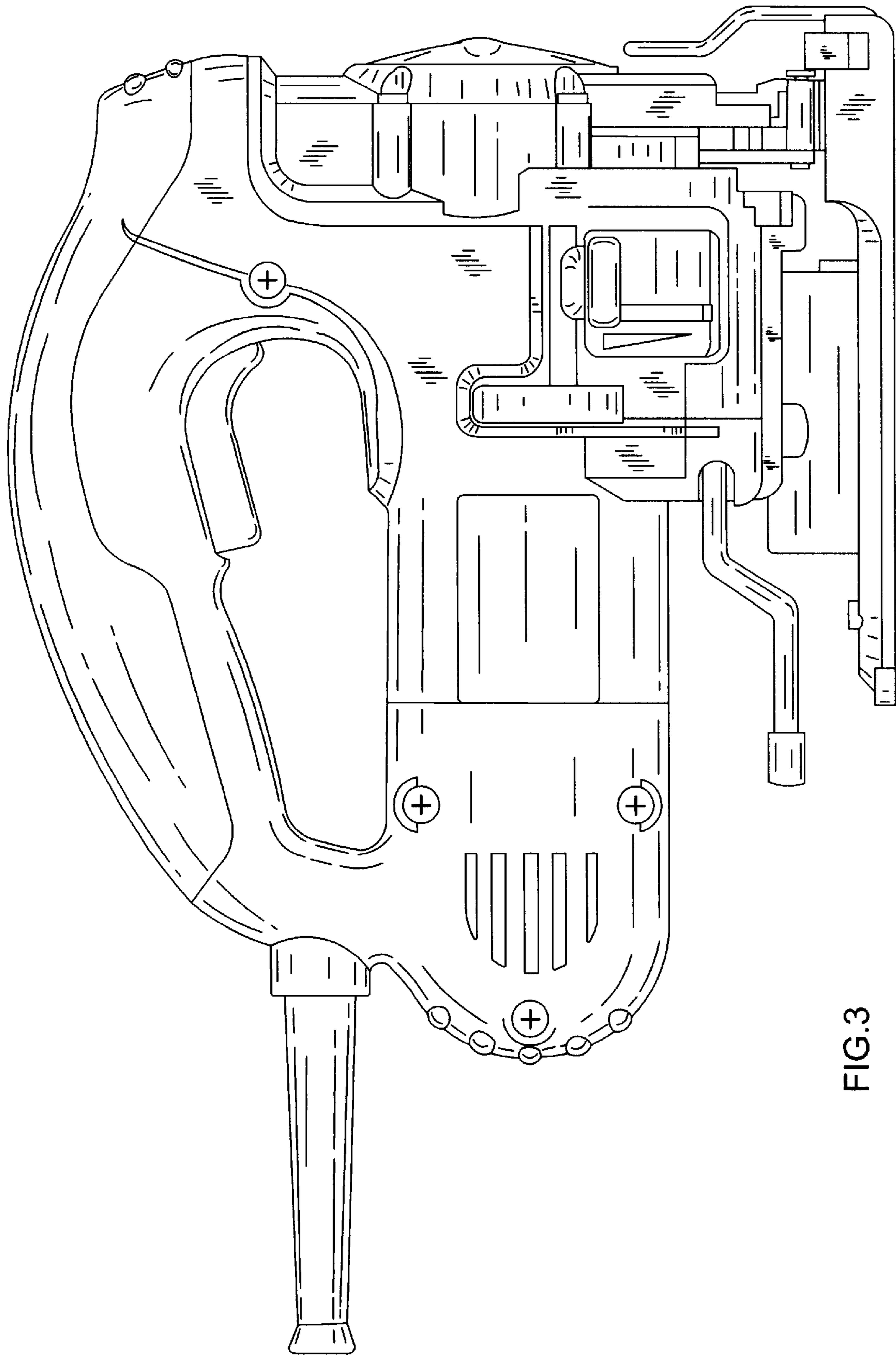


FIG.3

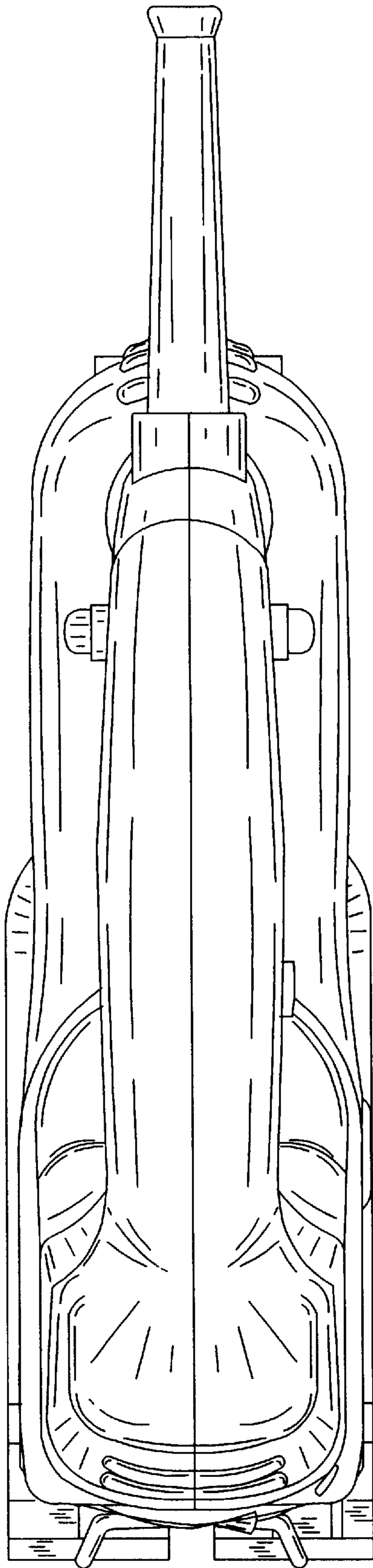


FIG. 4

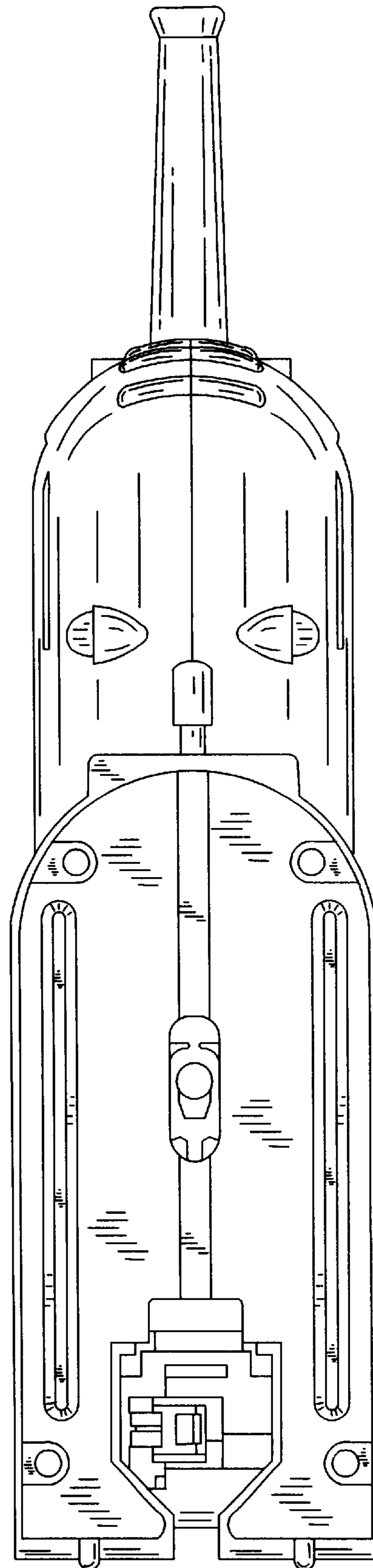


FIG. 5

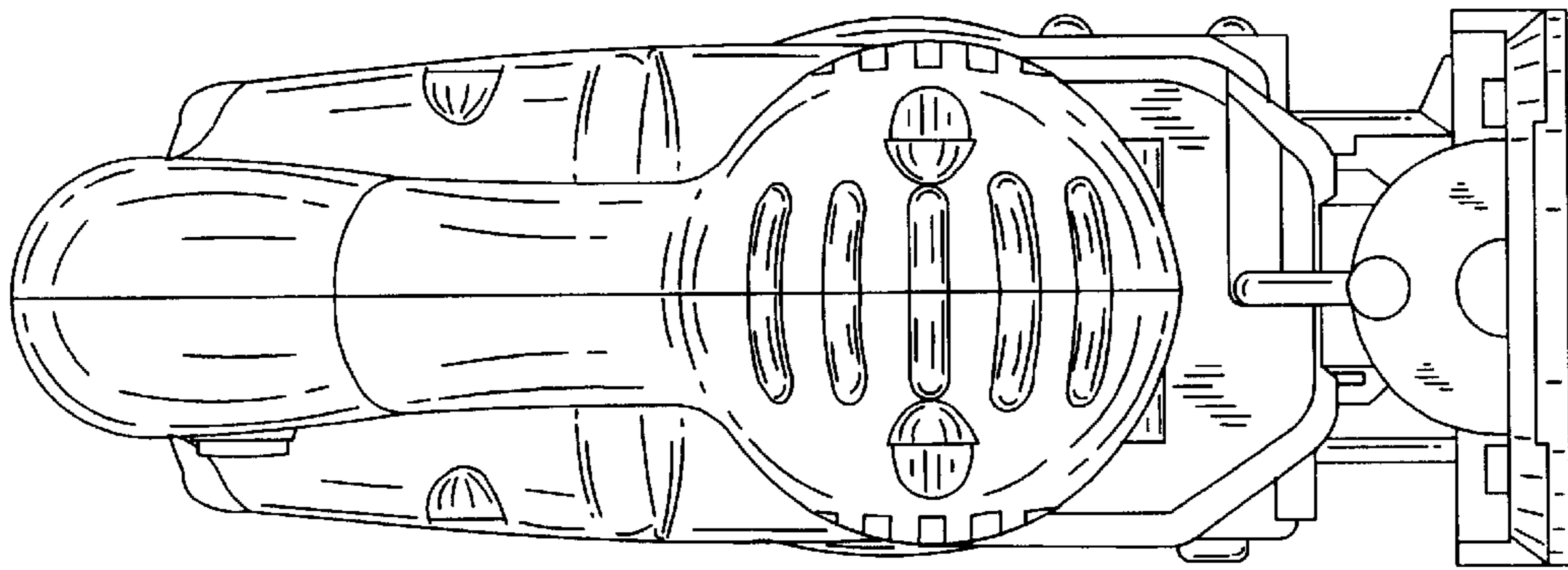


FIG.7

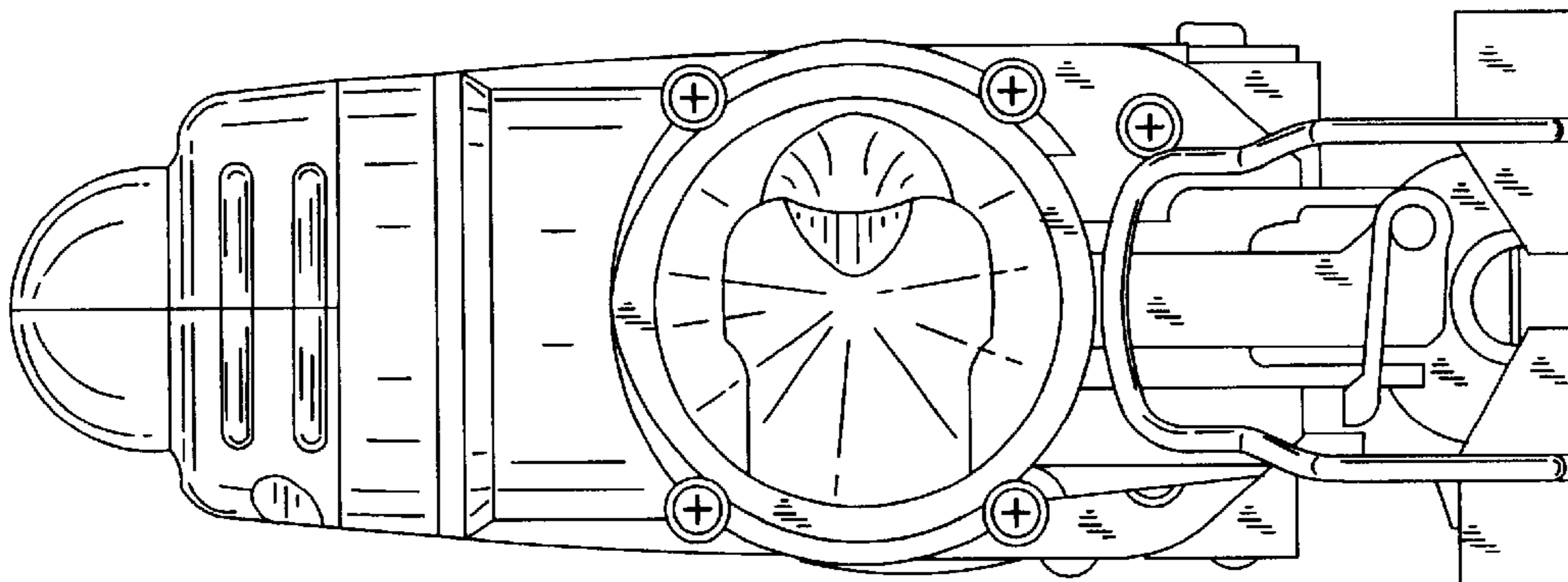


FIG.6