



US00D527961S

(12) **United States Design Patent**  
**Mork**

(10) **Patent No.:** **US D527,961 S**

(45) **Date of Patent:** **\*\* Sep. 12, 2006**

(54) **WRENCH**

(75) Inventor: **Steve O. Mork**, Lowell, MI (US)

(73) Assignee: **Access Business Group International LLC**, Ada, MI (US)

(\*\*) Term: **14 Years**

(21) Appl. No.: **29/219,199**

(22) Filed: **Dec. 14, 2004**

(51) **LOC (8) Cl.** ..... **08-05**

(52) **U.S. Cl.** ..... **D8/21**

(58) **Field of Classification Search** ..... D8/17,  
D8/19, 21-29, 18, 16; 81/60-62.3, 177.1,  
81/177.85, 177.8, 121.1, 124.3, 124.7, 125.1,  
81/124.5, 119, 186, 124.4, 52, 58, 124.6,  
81/436, 71, 65, 177.2; 61/7; 7/151

See application file for complete search history.

(56) **References Cited**

**U.S. PATENT DOCUMENTS**

- 2,196,701 A \* 4/1940 Homsher ..... 408/227
- D130,756 S \* 12/1941 Howard ..... D8/17
- D197,409 S \* 1/1964 Kortick ..... D8/18

- D304,668 S \* 11/1989 Strock ..... D8/17
- D418,727 S \* 1/2000 Hsieh ..... D8/28
- 6,062,111 A \* 5/2000 Wershe ..... 81/177.4
- 6,131,494 A \* 10/2000 Quenneville ..... 81/125.1
- D456,226 S \* 4/2002 Doshay ..... D8/26
- D467,777 S \* 12/2002 Van Horn et al. .... D8/27

\* cited by examiner

*Primary Examiner*—Raphael Barkai

*Assistant Examiner*—Randall H. Gholson

(74) *Attorney, Agent, or Firm*—Alticor Inc.

(57) **CLAIM**

The ornamental design for a wrench, as shown and described.

**DESCRIPTION**

FIG. 1 is a perspective view of the wrench embodying the new design;

FIG. 2 is a right side elevational view thereof, the left side elevational view being a mirror image thereof;

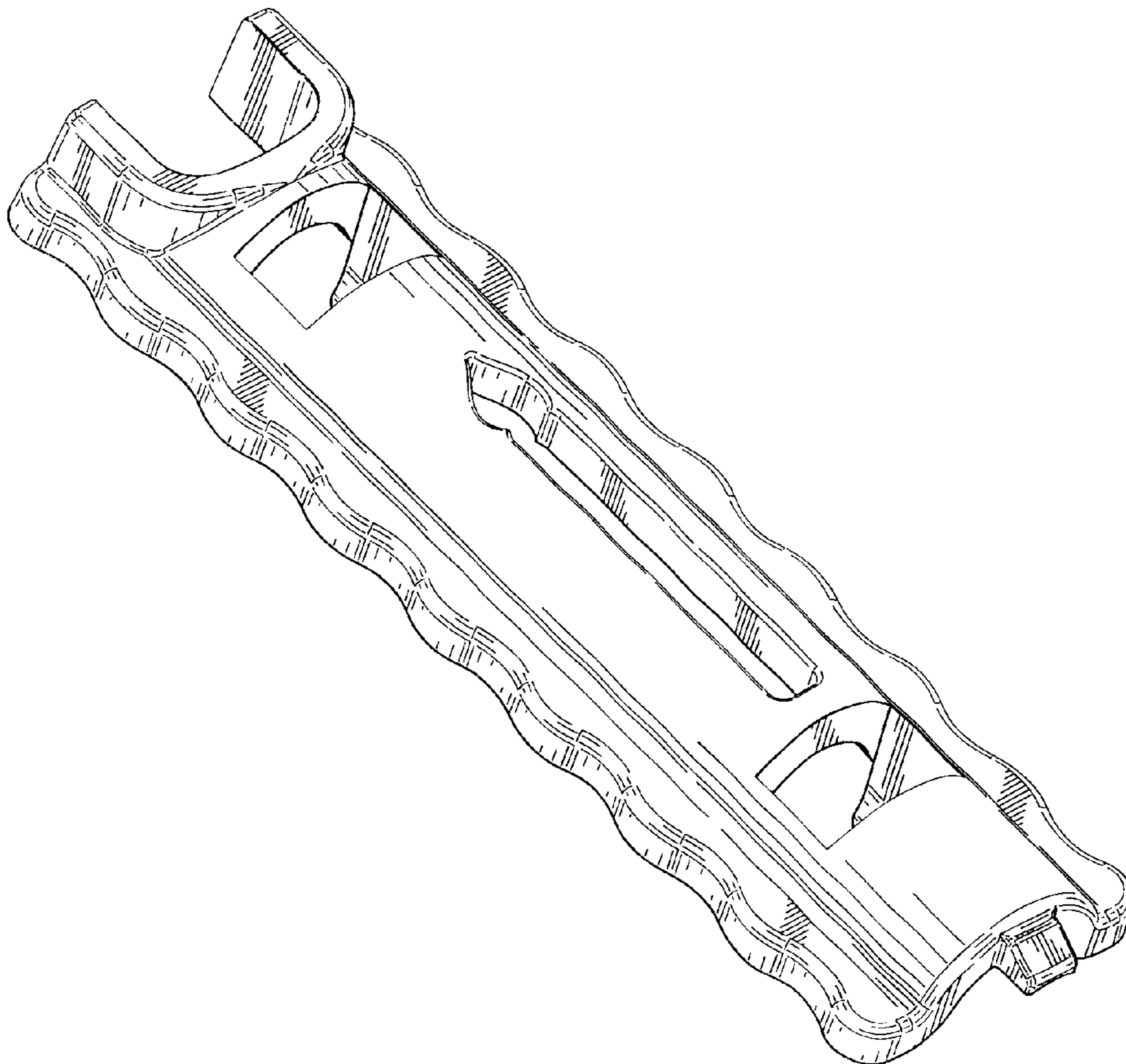
FIG. 3 is a front elevational view thereof;

FIG. 4 is a rear elevational view thereof;

FIG. 5 is a top plan view thereof; and,

FIG. 6 is a bottom plan view thereof.

**1 Claim, 3 Drawing Sheets**



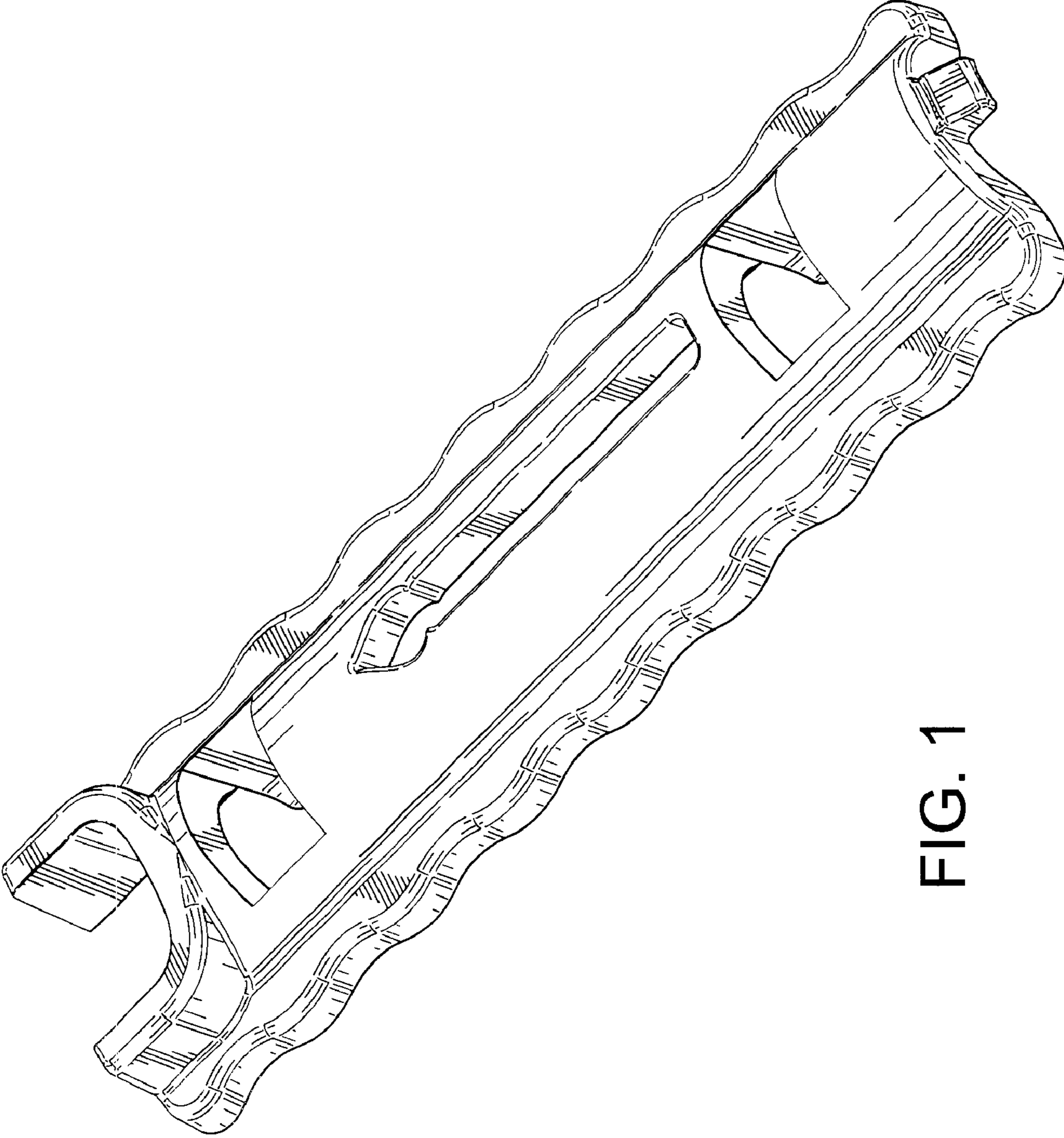


FIG. 1

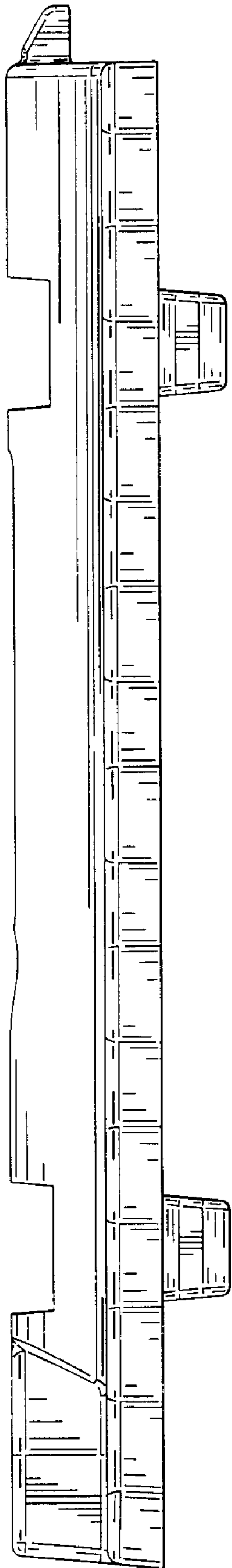


FIG. 2

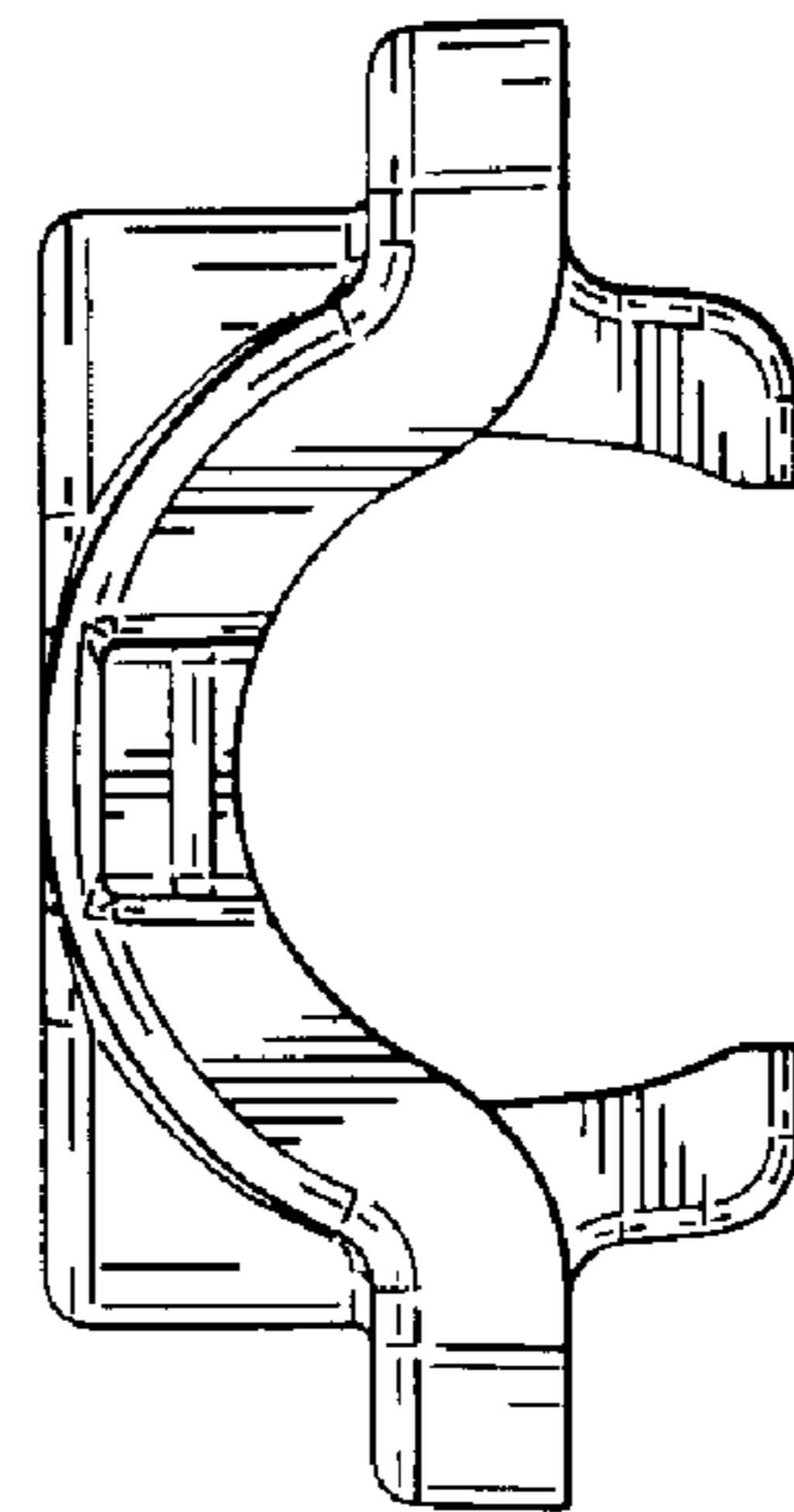


FIG. 3

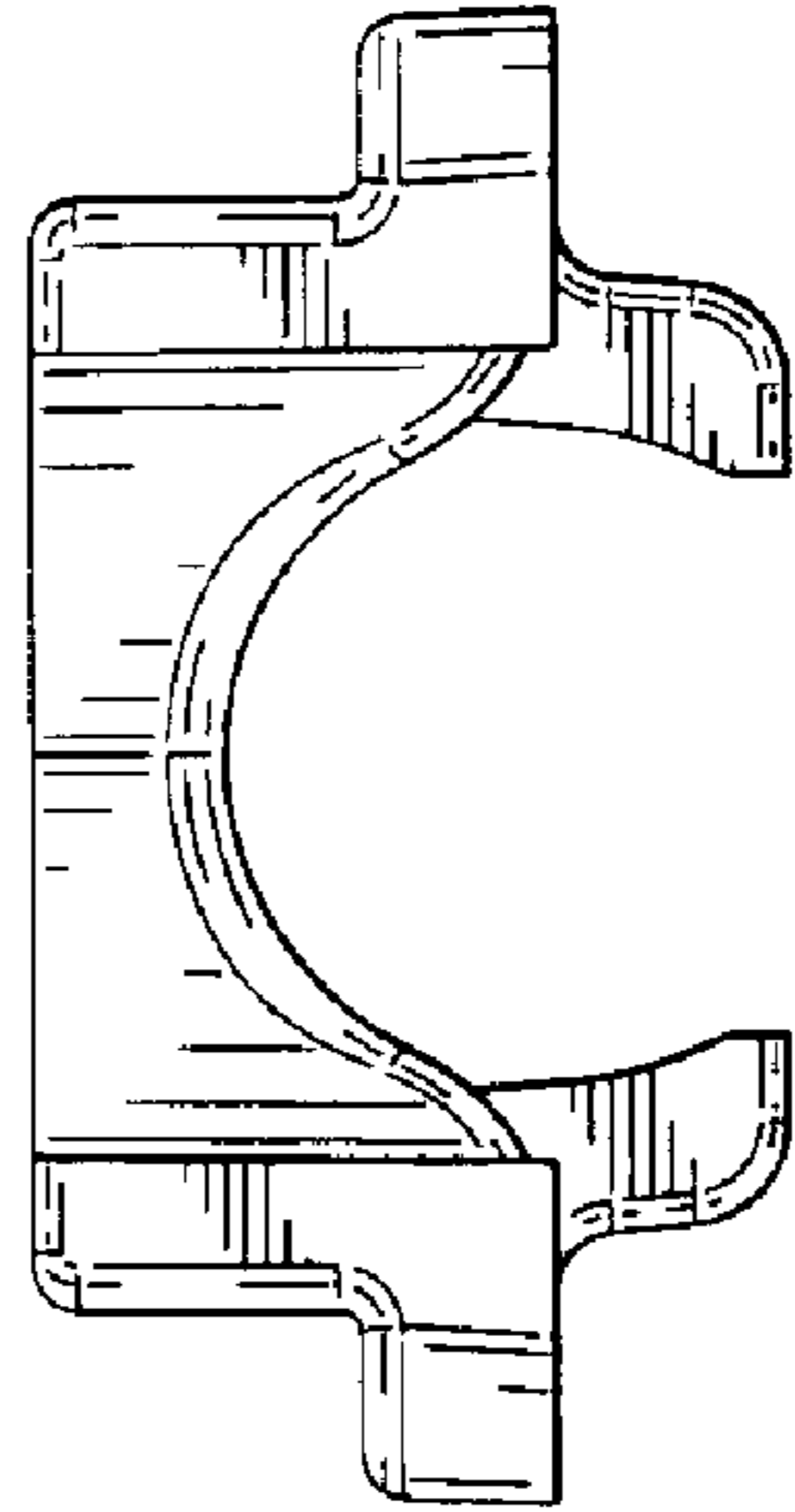


FIG. 4

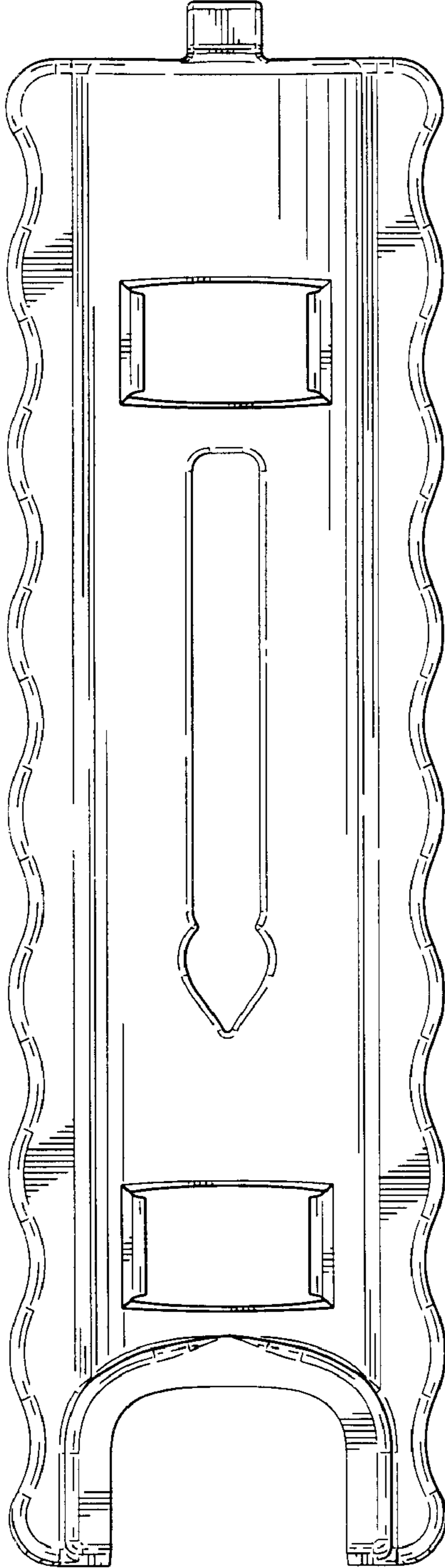


FIG. 5

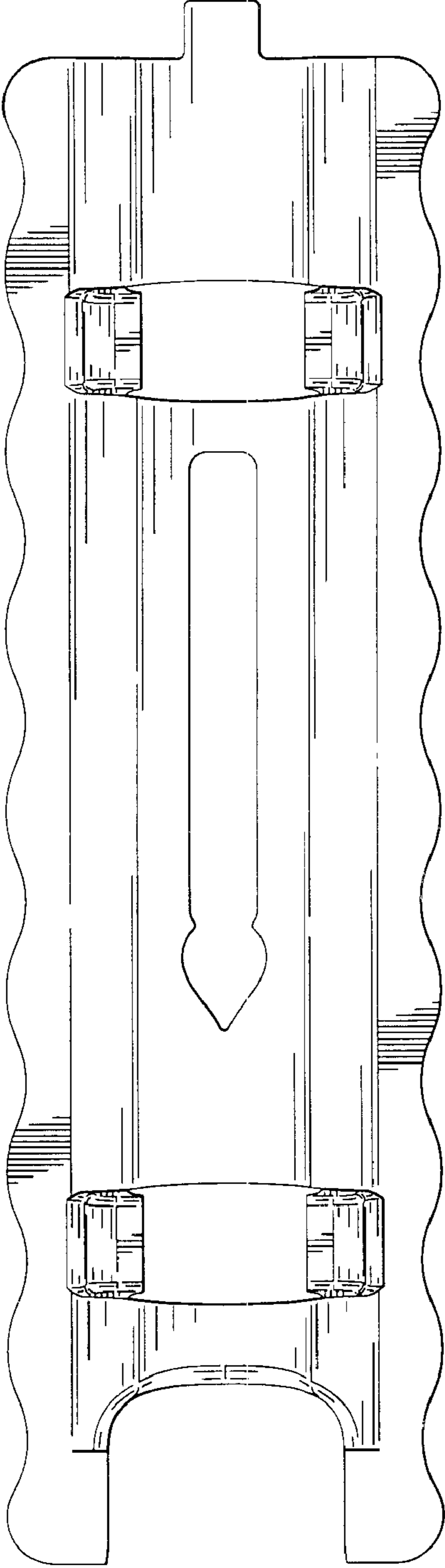


FIG. 6