



US00D527959S

(12) **United States Design Patent**
Fung

(10) **Patent No.:** **US D527,959 S**

(45) **Date of Patent:** **** Sep. 12, 2006**

(54) **CULINARY WHISK**

(75) **Inventor:** **Kwok Onn Fung**, GuangDong (CN)

(73) **Assignee:** **Maxpat Trading & Marketing (Far East) Limited**, Tsimshatsui (HK)

(**) **Term:** **14 Years**

(21) **Appl. No.:** **29/234,695**

(22) **Filed:** **Jul. 20, 2005**

(30) **Foreign Application Priority Data**

Feb. 23, 2005 (EM) 000301882-0001

(51) **LOC (8) Cl.** **07-02**

(52) **U.S. Cl.** **D7/690**

(58) **Field of Classification Search** D7/682-696,
D7/376, 379, 380, 393, 395; 366/129, 130,
366/342-344; 416/69, 70 R, 71, 72, 227 R
See application file for complete search history.

(56) **References Cited**

U.S. PATENT DOCUMENTS

D154,752 S * 8/1949 De Martino D7/380

2,798,702 A * 7/1957 Fjellstedt 416/72

3,412,983 A * 11/1968 Kesilman et al. 416/70 R

4,735,510 A * 4/1988 Barbour et al. 366/343

D313,533 S * 1/1991 Rixen D7/380

D480,612 S * 10/2003 Schulein D7/690

* cited by examiner

Primary Examiner—Terry A. Wallace

(74) *Attorney, Agent, or Firm*—Smith-Hill and Bedell

(57) **CLAIM**

The ornamental design for “culinary whisk,” as shown and described.

DESCRIPTION

FIG. 1 is a perspective view of a “culinary whisk” incorporating the design of my invention;

FIG. 2 is a side view thereof;

FIG. 3 is another side view at 90° of FIG. 2,

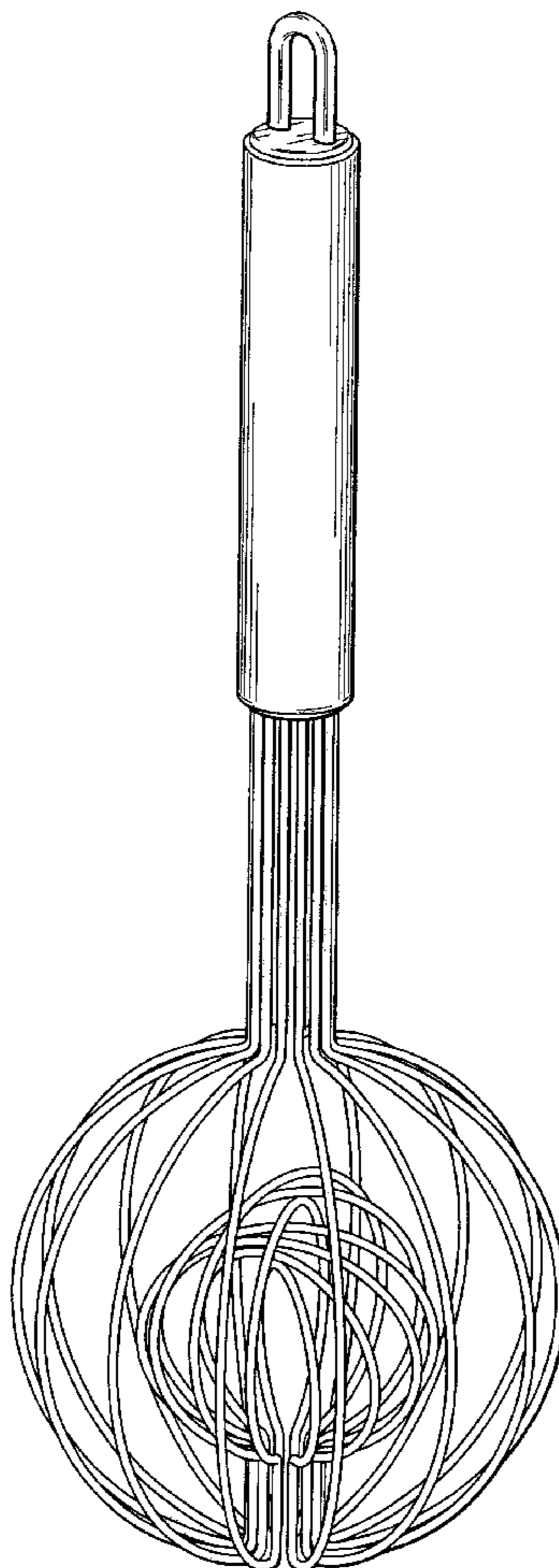
FIG. 4 is another side view at 180° of FIG. 2;

FIG. 5 is another side view at 270° of FIG. 2;

FIG. 6 is a front view thereof; and,

FIG. 7 is a rear view thereof.

1 Claim, 7 Drawing Sheets



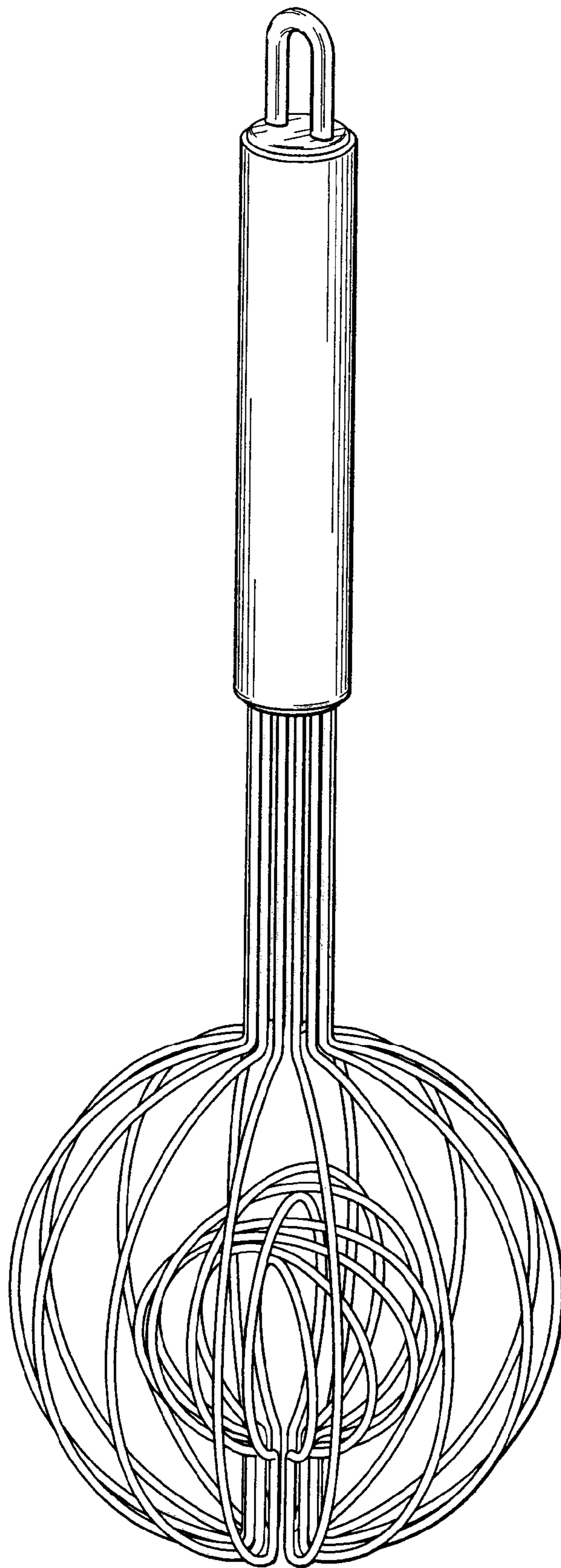


FIG. 1

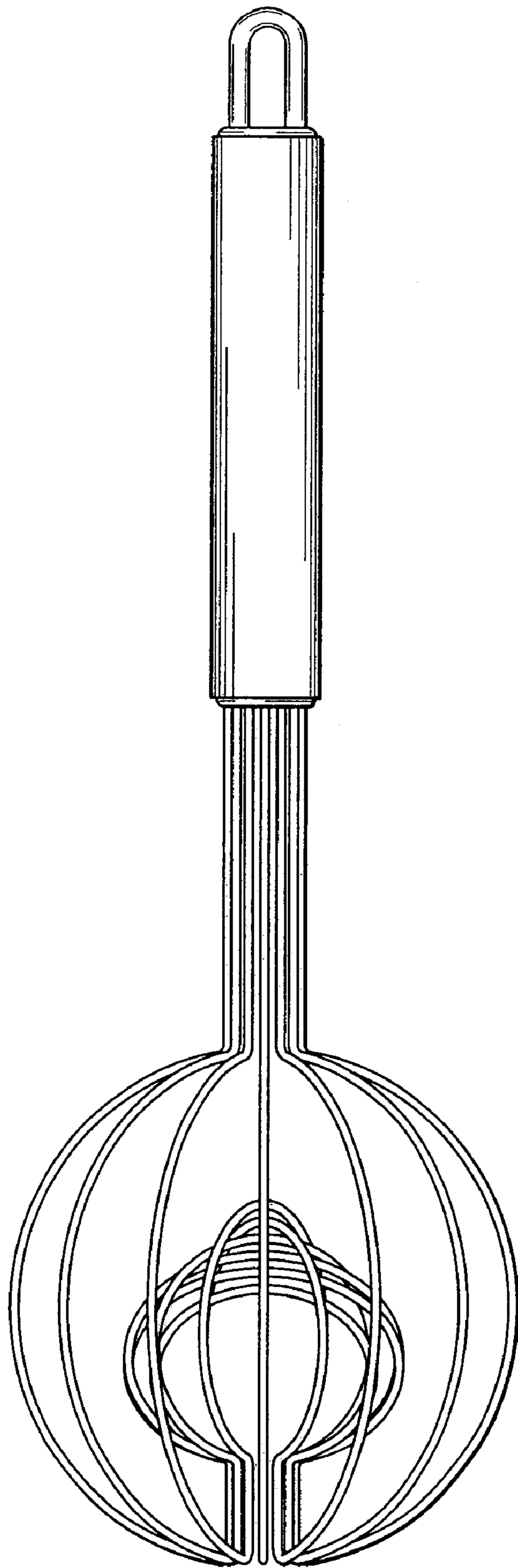


FIG. 2

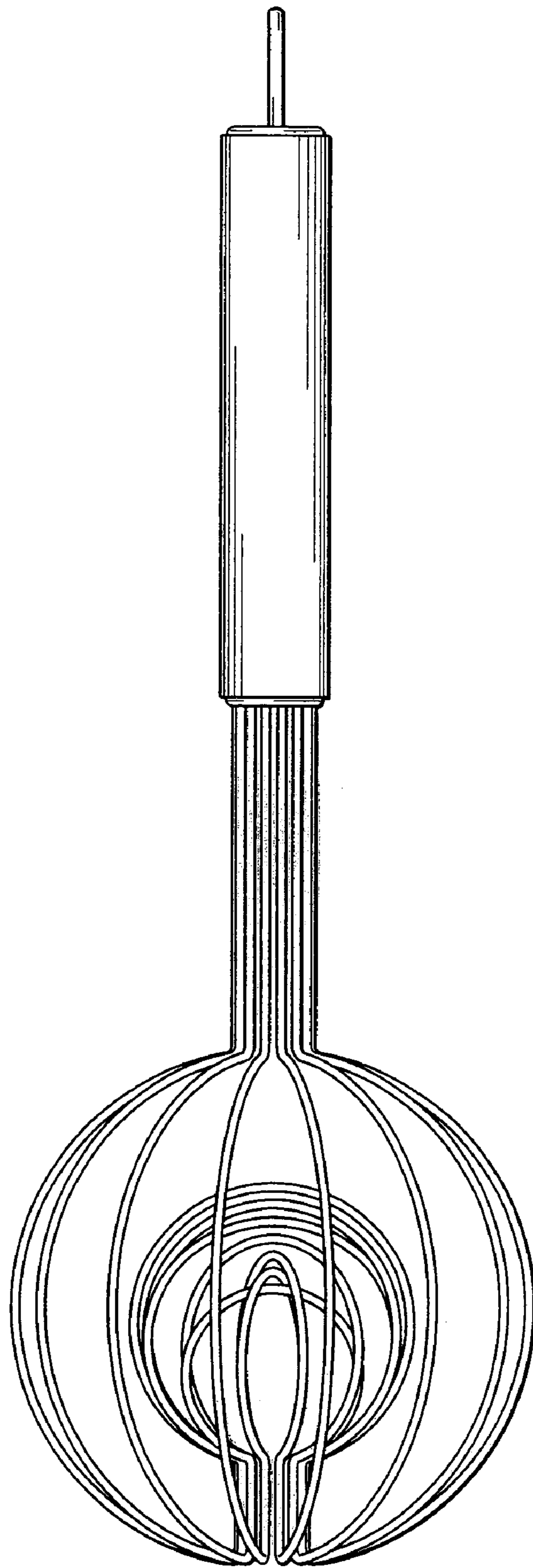


FIG. 3

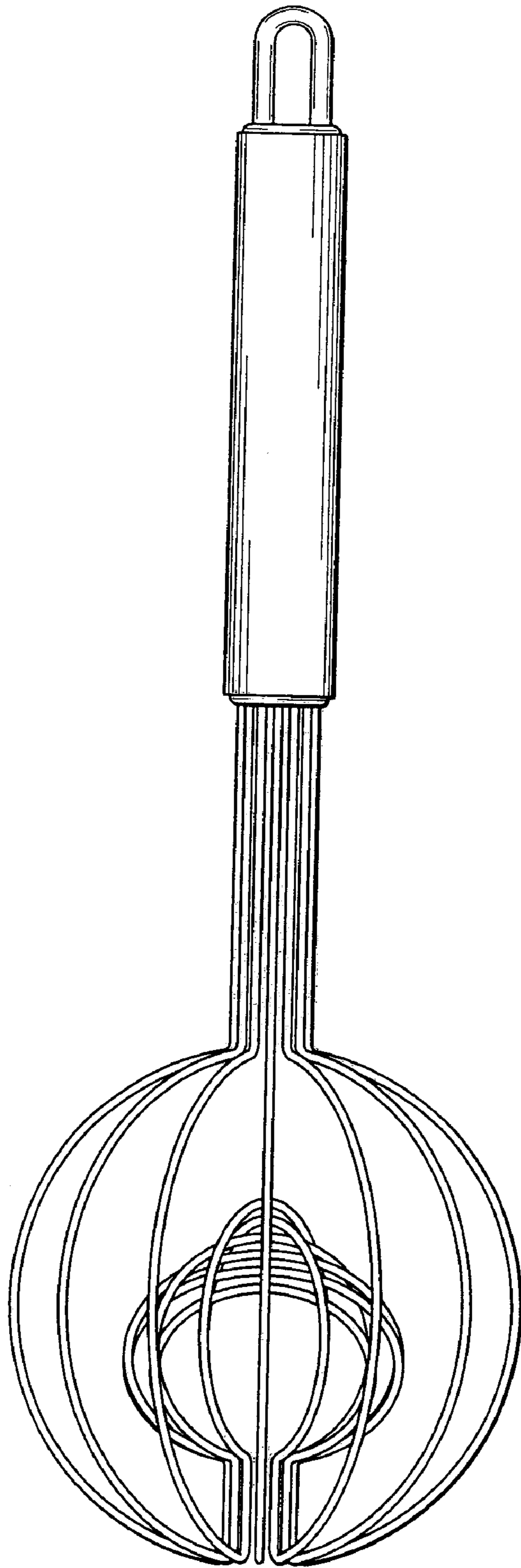


FIG. 4

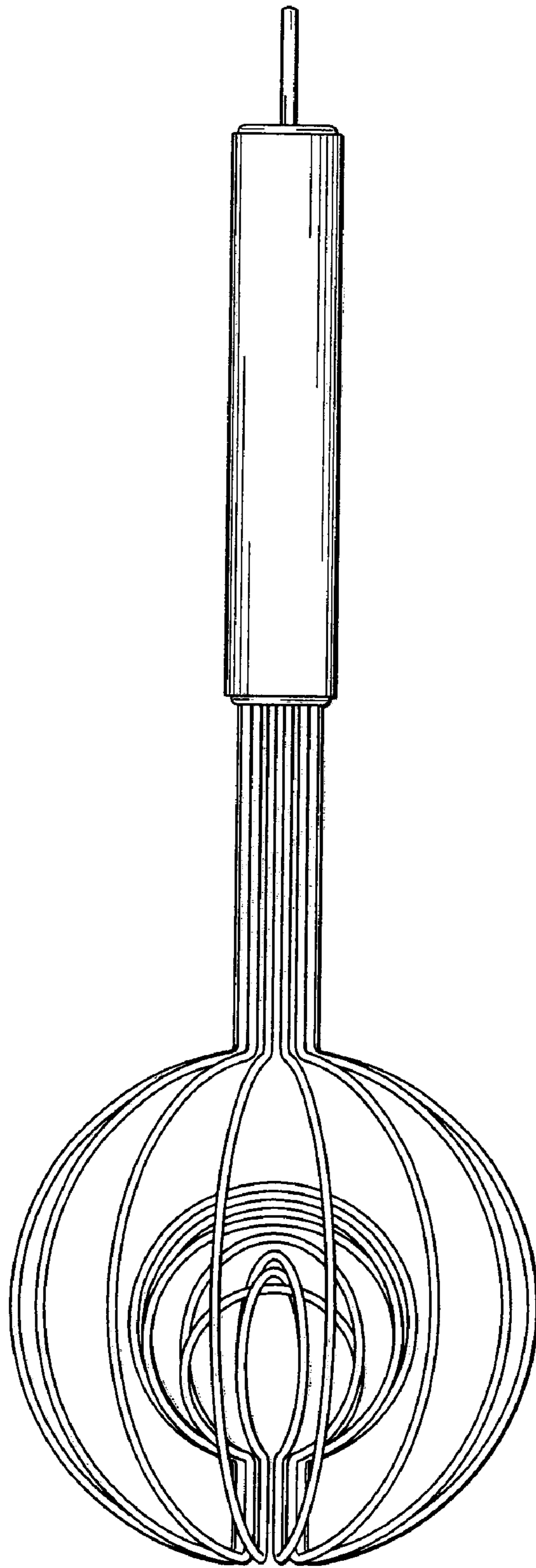


FIG. 5

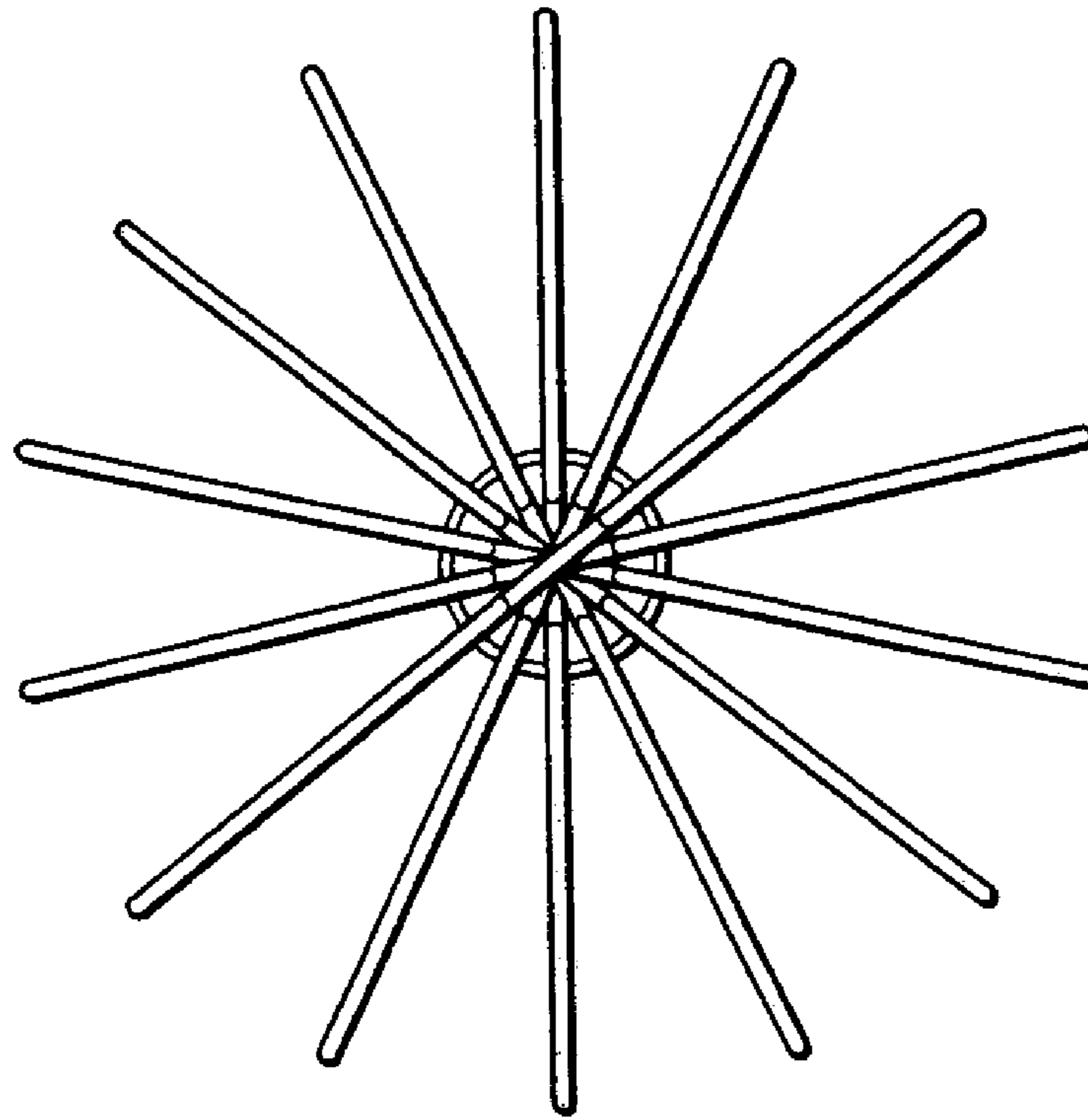


FIG. 6

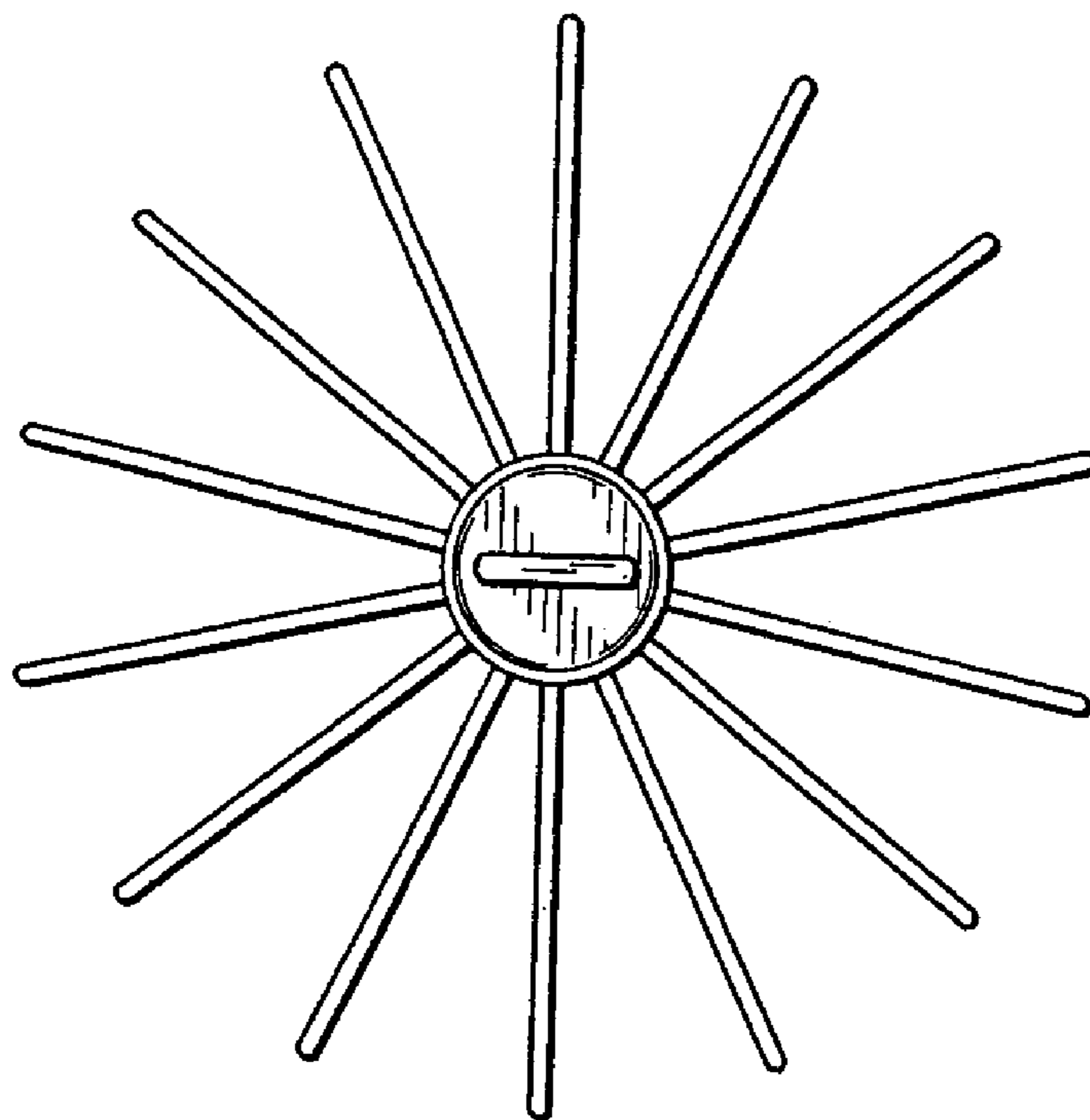


FIG. 7