

US00D527958S

(12) **United States Design Patent** (10) **Patent No.:** **US D527,958 S**
Ho (45) **Date of Patent:** **** Sep. 12, 2006**

(54) **SALAD SHAKER**

(75) Inventor: **Joseph Chor Ho**, Thornhill (CA)

(73) Assignee: **Founder Plastics, Inc.**, Toronto (CA)

(**) Term: **14 Years**

(21) Appl. No.: **29/223,586**

(22) Filed: **Feb. 16, 2005**

(30) **Foreign Application Priority Data**

Aug. 18, 2004 (CA) 108072

(51) **LOC (8) Cl.** **07-04**

(52) **U.S. Cl.** **D7/665**

(58) **Field of Classification Search** D7/665,
D7/666, 538-542; 34/58; 99/479, 495, 511-513;
210/360.1, 380.1; 241/166, 169

See application file for complete search history.

(56) **References Cited**

U.S. PATENT DOCUMENTS

3,885,321 A	*	5/1975	Fouinetau	34/58
D257,203 S	*	10/1980	Doyel	D7/665
D260,346 S	*	8/1981	Lebowitz	D7/665
D328,551 S	*	8/1992	Kong	D7/665

* cited by examiner

Primary Examiner—Terry A. Wallace

(74) *Attorney, Agent, or Firm*—Grossman, Tucker, Perreault & Pflege, PLLC

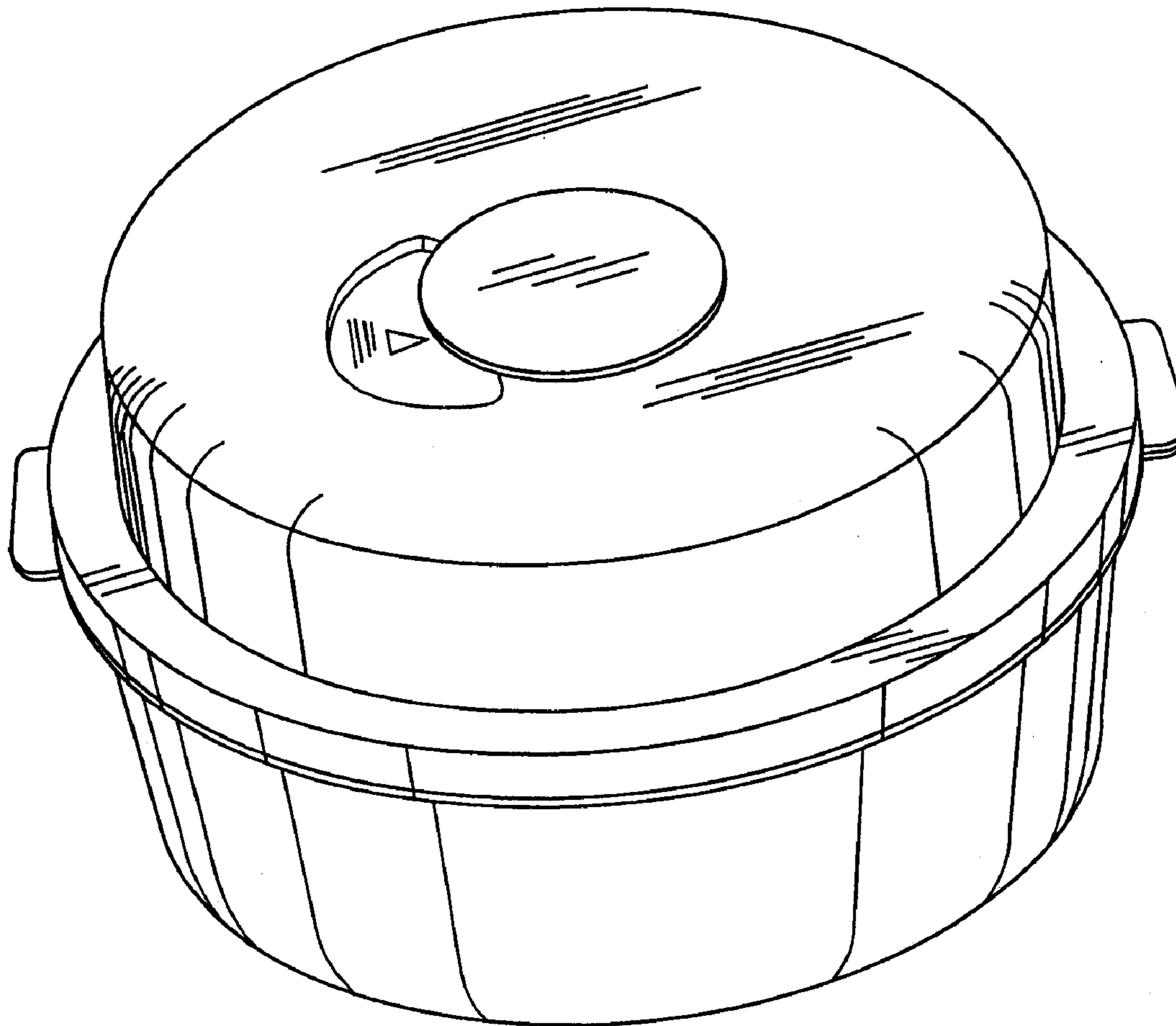
(57) **CLAIM**

The ornamental design for a salad shaker, as shown and described.

DESCRIPTION

FIG. 1 is a perspective view of the salad shaker; and, FIG. 2 is a perspective view thereof with the lid removed for clarity of illustration.

1 Claim, 2 Drawing Sheets



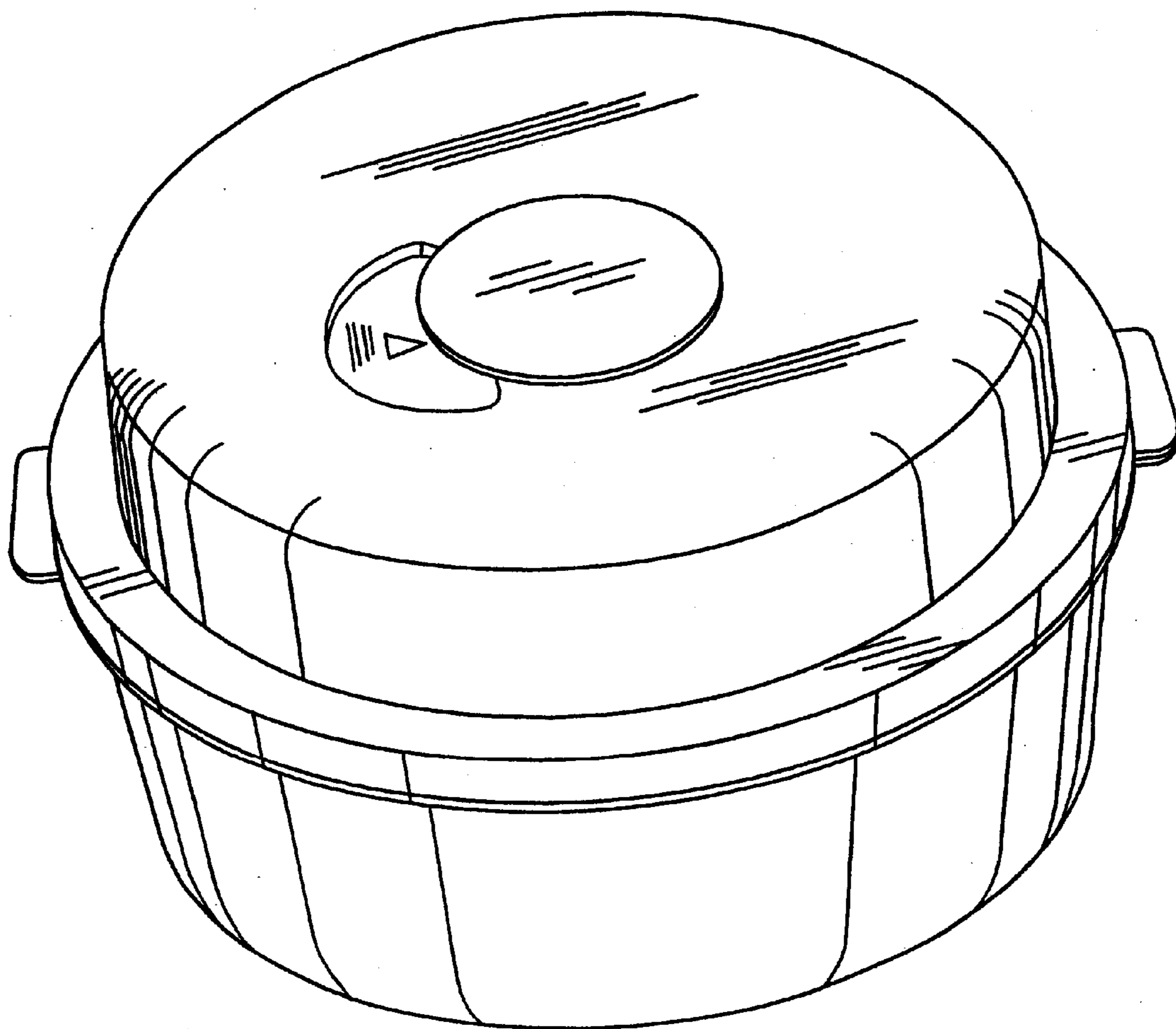


FIG. 1

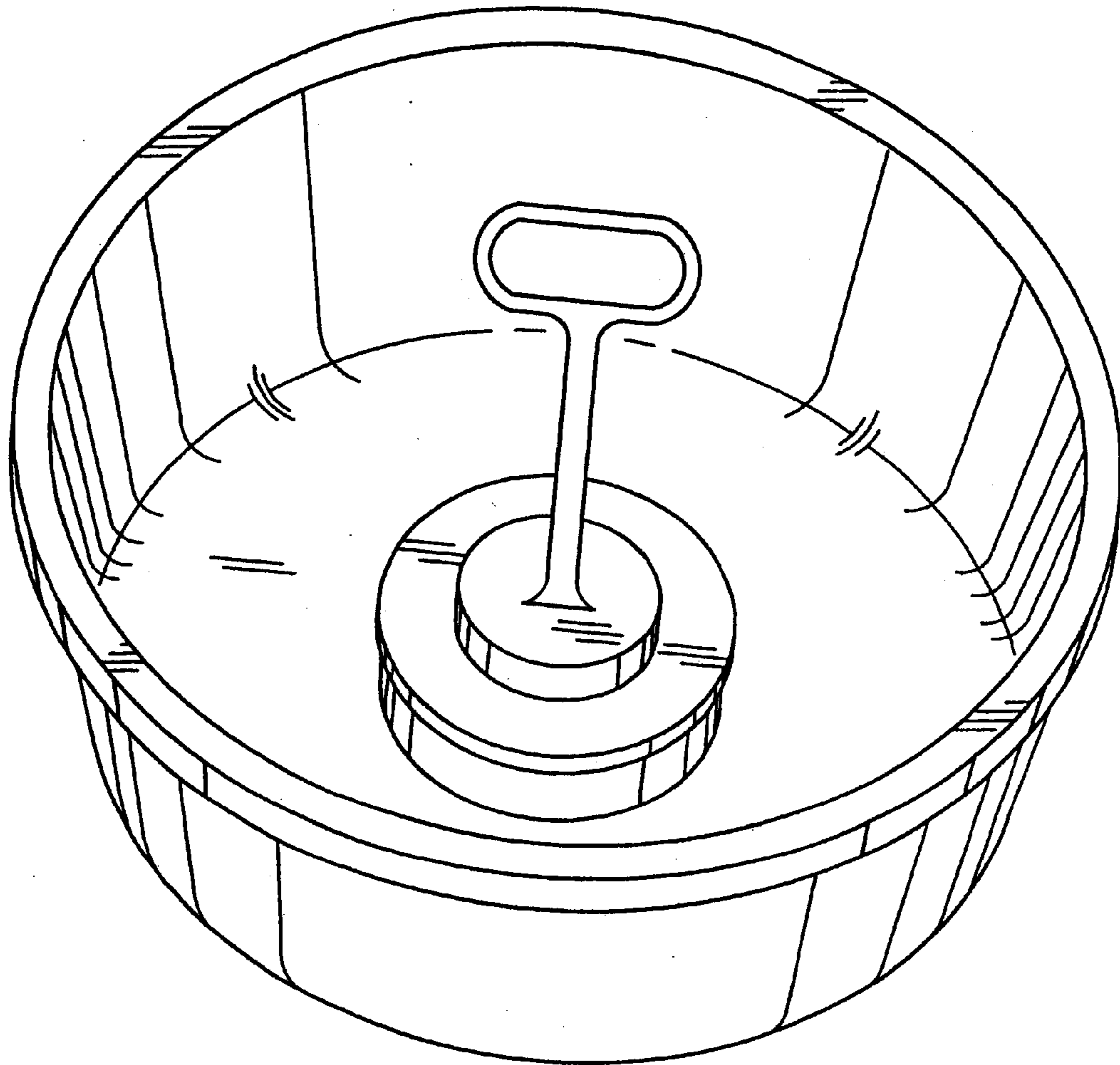


FIG. 2