



US00D527957S

(12) **United States Design Patent**  
**Ranieri**

(10) **Patent No.:** **US D527,957 S**

(45) **Date of Patent:** **\*\* Sep. 12, 2006**

(54) **KNIFE BLOCK**

(75) Inventor: **Laura A. Ranieri**, Palatine, IL (US)

(73) Assignee: **WKI Holding Company, Inc.**,  
Rosemont, IL (US)

(\*\*) Term: **14 Years**

(21) Appl. No.: **29/233,438**

(22) Filed: **Jul. 1, 2005**

(51) **LOC (8) Cl.** ..... **07-06**

(52) **U.S. Cl.** ..... **D7/637**

(58) **Field of Classification Search** ..... D7/637-641;  
248/37.3, 37.6, 309.4, 174, 316.3; 211/70.7,  
211/70.6, 60.1, 89.01

See application file for complete search history.

(56) **References Cited**

**U.S. PATENT DOCUMENTS**

2,357,646	A	*	9/1944	Gilbert	.....	211/70.6
D178,993	S	*	10/1956	Georgan	.....	D7/637
3,071,252	A	*	1/1963	Hanschar	.....	211/70.7
3,580,394	A		5/1971	Elliot		
D259,321	S		5/1981	Sparger		

4,497,412 A 2/1985 Labelle

D296,177 S 6/1988 Nolen, Sr. et al.

4,966,339 A \* 10/1990 Lu ..... 248/37.3

2002/0175131 A1 11/2002 Johnson

\* cited by examiner

*Primary Examiner*—Terry A. Wallace

(74) *Attorney, Agent, or Firm*—Wallenstein & Wagner, Ltd.

(57) **CLAIM**

What is claimed is the ornamental design for a knife block,  
as shown and described.

**DESCRIPTION**

FIG. 1 is a perspective view of a knife block according to the  
new design;

FIG. 2 is a front view of the knife block shown in FIG. 1,  
the rear view being identical thereto;

FIG. 3 is a side elevation view of one side of the knife block  
shown in FIG. 1, the other side view being identical thereto;  
and,

FIG. 4 is a top view of the knife block shown in FIG. 1.

Features shown in broken lines form no part of the claimed  
design.

**1 Claim, 2 Drawing Sheets**

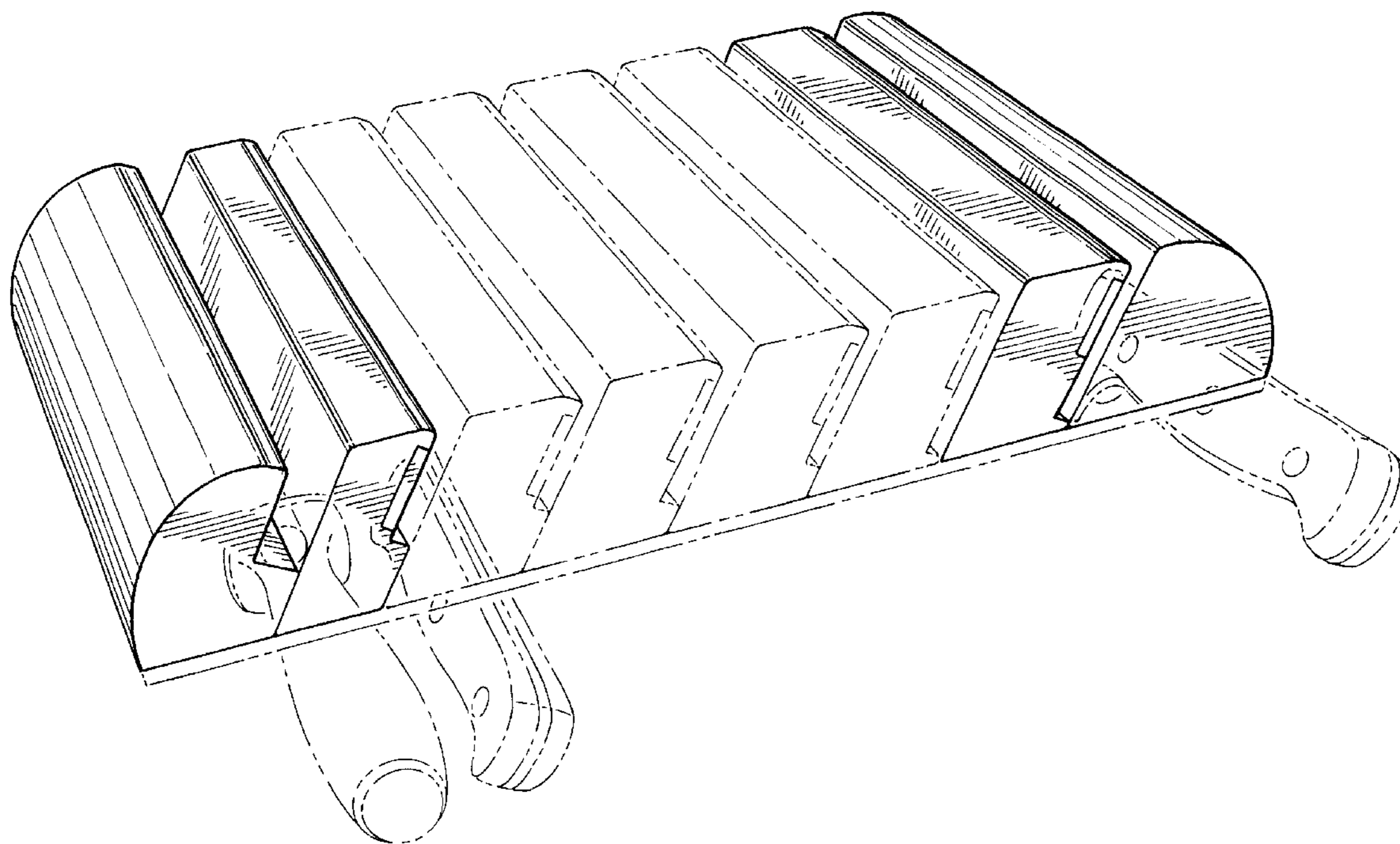


FIG. 1

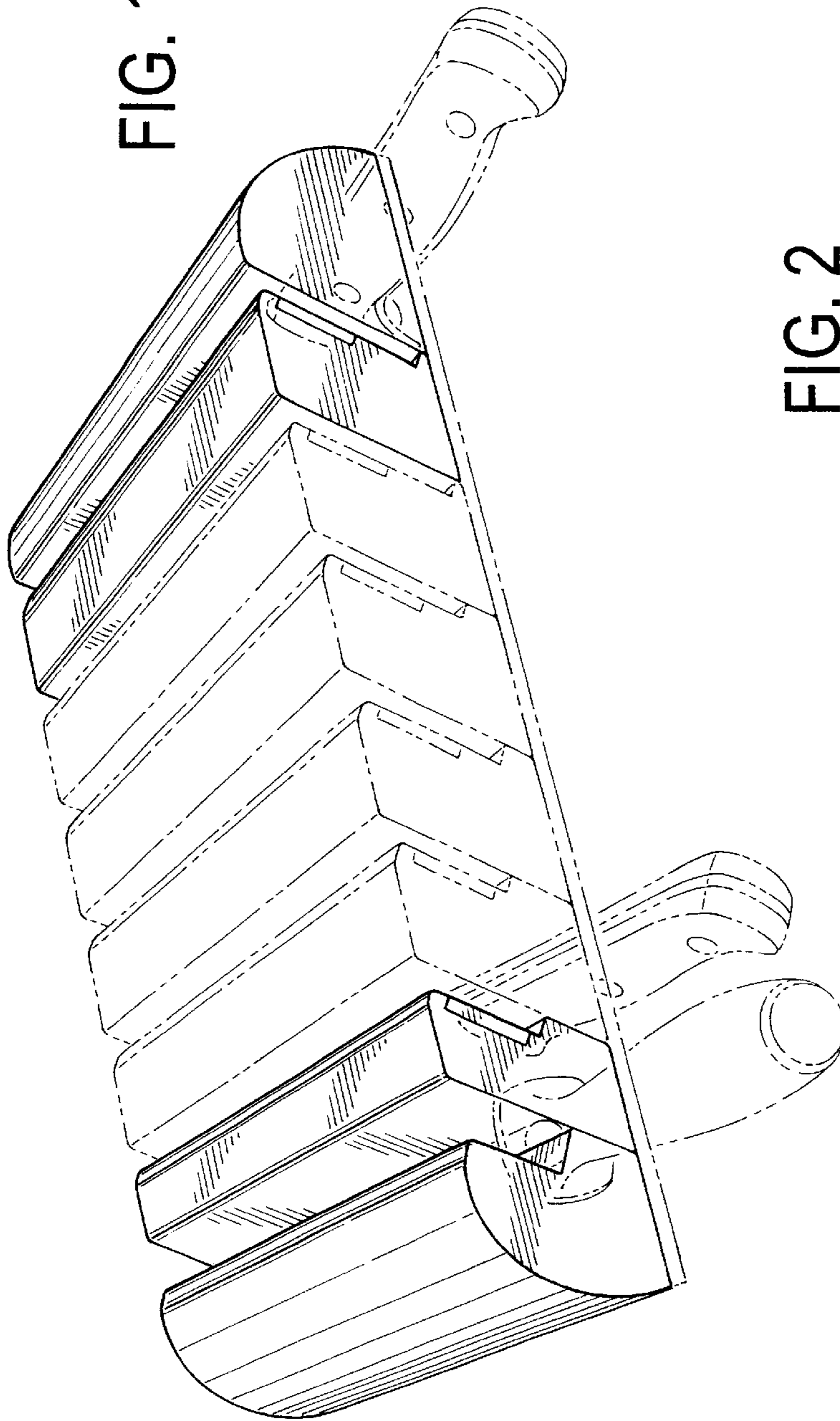


FIG. 2

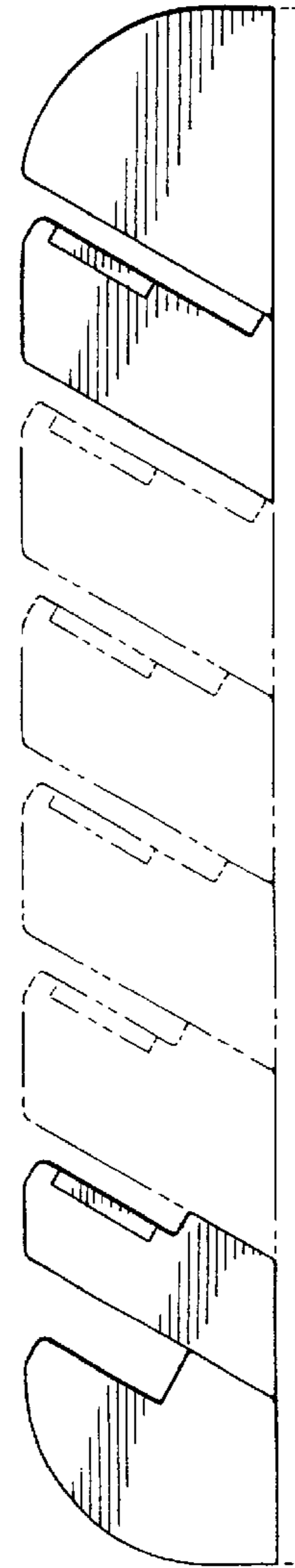


FIG. 4

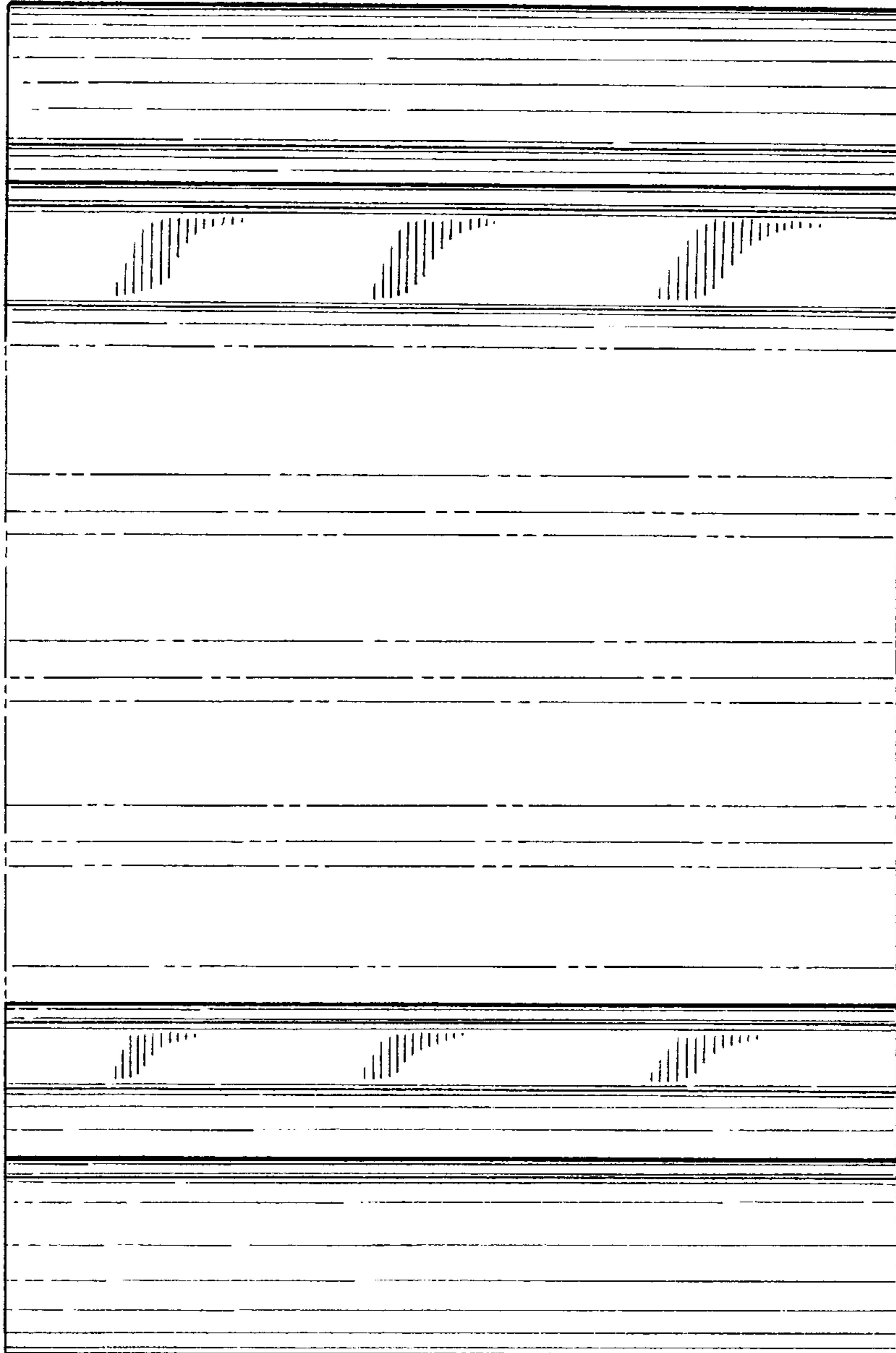


FIG. 3

