



US00D527956S

(12) **United States Design Patent**
Doliwa

(10) **Patent No.:** **US D527,956 S**

(45) **Date of Patent:** **** Sep. 12, 2006**

(54) **COMBINED SQUARE BOWL AND LID**

D475,620 S * 6/2003 Chen et al. D9/425
D490,278 S * 5/2004 Welsh D7/629

(75) Inventor: **Wojciech Doliwa**, Sayreville, NJ (US)

* cited by examiner

(73) Assignee: **Sabert Corporation**, Sayreville, NJ (US)

Primary Examiner—Terry A. Wallace

(74) *Attorney, Agent, or Firm*—Erza Sutton, Esq.

(**) Term: **14 Years**

(57) **CLAIM**

(21) Appl. No.: **29/243,360**

The ornamental designs for a combined square bowl and lid, as shown and described.

(22) Filed: **Nov. 23, 2005**

DESCRIPTION

Related U.S. Application Data

(62) Division of application No. 29/205,921, filed on May 21, 2004, now abandoned.

(51) **LOC (8) Cl.** **07-01**

(52) **U.S. Cl.** **D7/629; D9/432**

(58) **Field of Classification Search** D7/601, D7/602, 629, 538–542; D9/424–432; 220/360, 220/366, 574, 780–806, 912, 913; 229/406, 229/407, 902–906

See application file for complete search history.

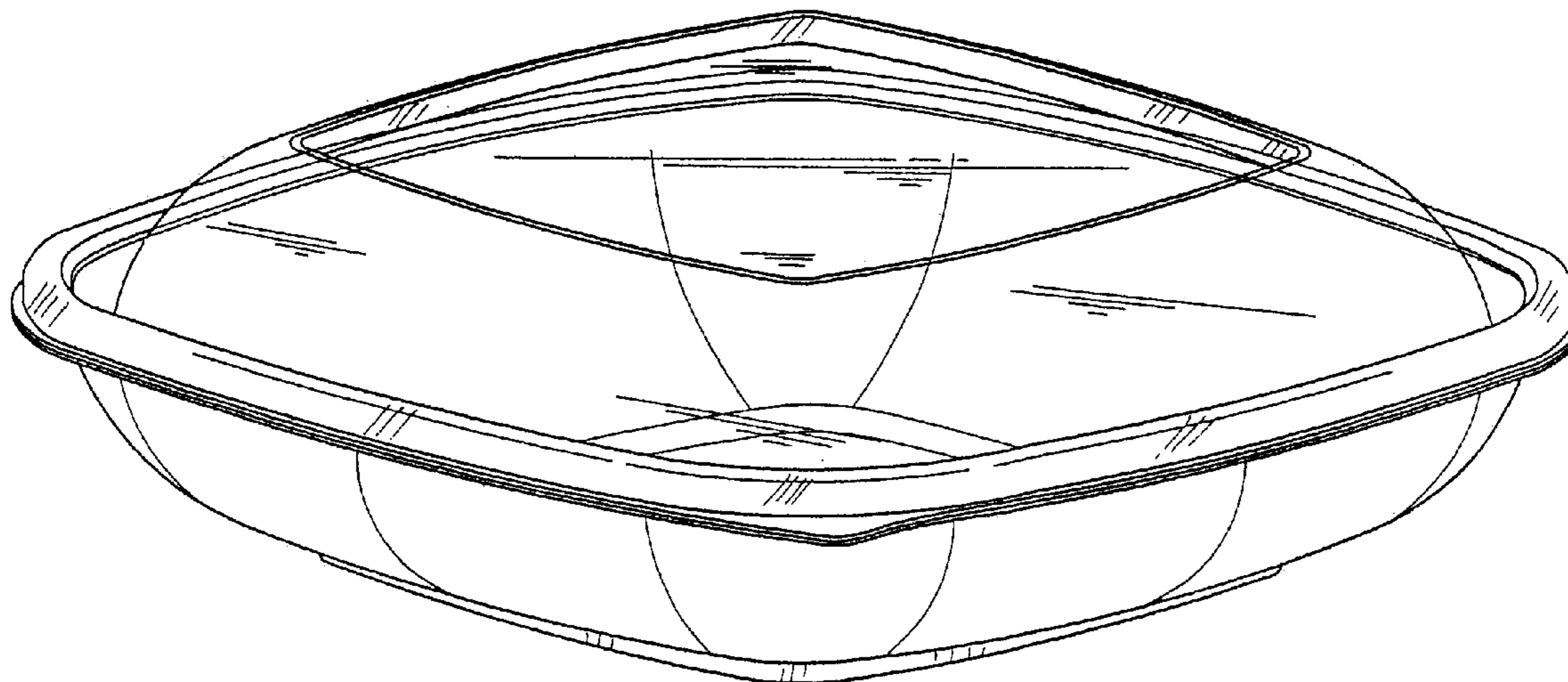
FIG. 1 is a front perspective view of a combined square bowl and lid embodying a first embodiment of my new design; FIG. 2 is a front view thereof; FIG. 3 is a rear view thereof; FIG. 4 is a left side view thereof; FIG. 5 is a right side view thereof; FIG. 6 is a front perspective view of a combined square bowl and lid embodying a second embodiment of my new design; FIG. 7 is a front view thereof; FIG. 8 is a rear view being thereof; FIG. 9 is a left side view thereof; FIG. 10 is a right side view thereof; FIG. 11 is a front perspective view of a combined square bowl and lid embodying a third embodiment of my new design; FIG. 12 is a front view thereof; FIG. 13 is a rear view being thereof; FIG. 14 is a left side view thereof; and, FIG. 15 is a right side view thereof.

(56) **References Cited**

U.S. PATENT DOCUMENTS

4,412,630 A * 11/1983 Daenen 220/792
D355,814 S * 2/1995 VanValkenburg et al. D7/629
5,992,679 A * 11/1999 Porchia et al. 220/782
D439,159 S * 3/2001 Chen D9/425
D441,615 S * 5/2001 Dretzka D7/629
D450,983 S * 11/2001 Tucker et al. D7/629

1 Claim, 9 Drawing Sheets



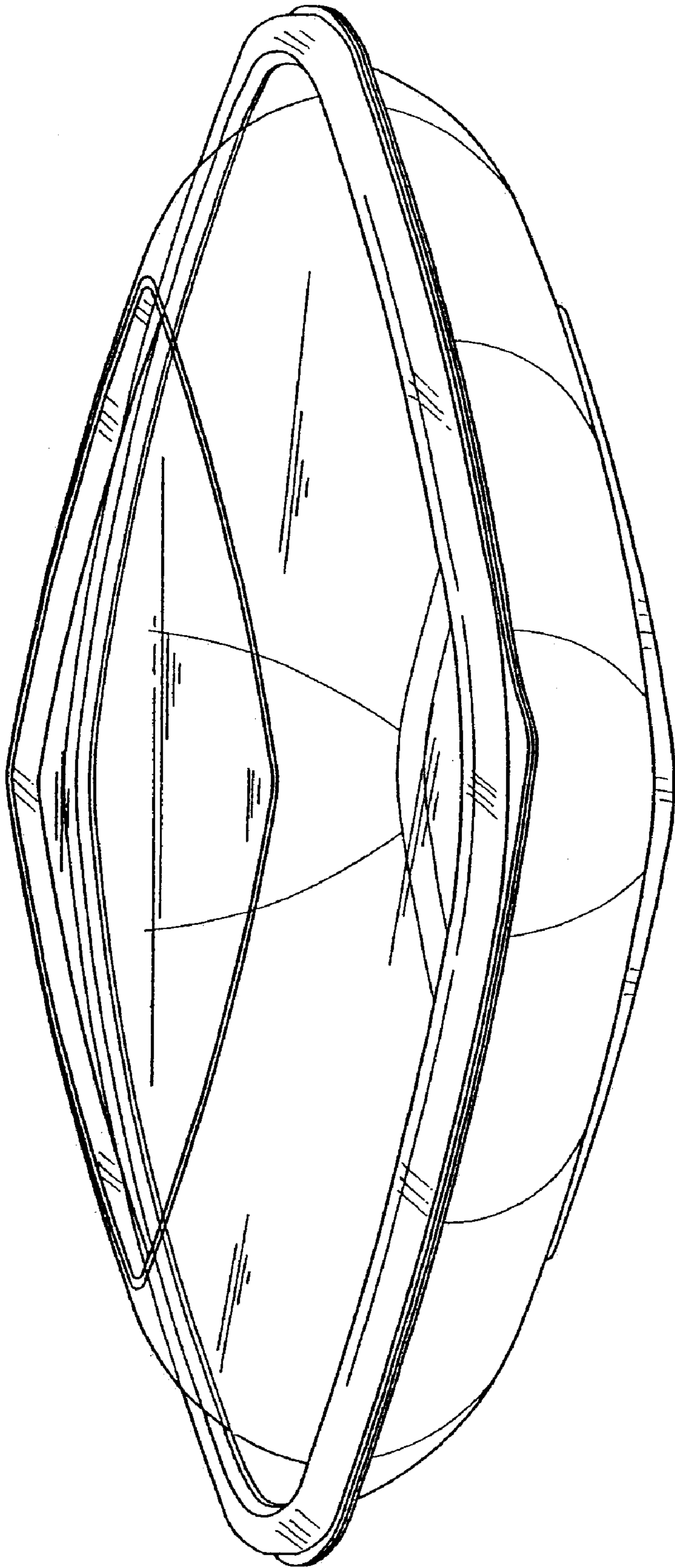


FIG. 1

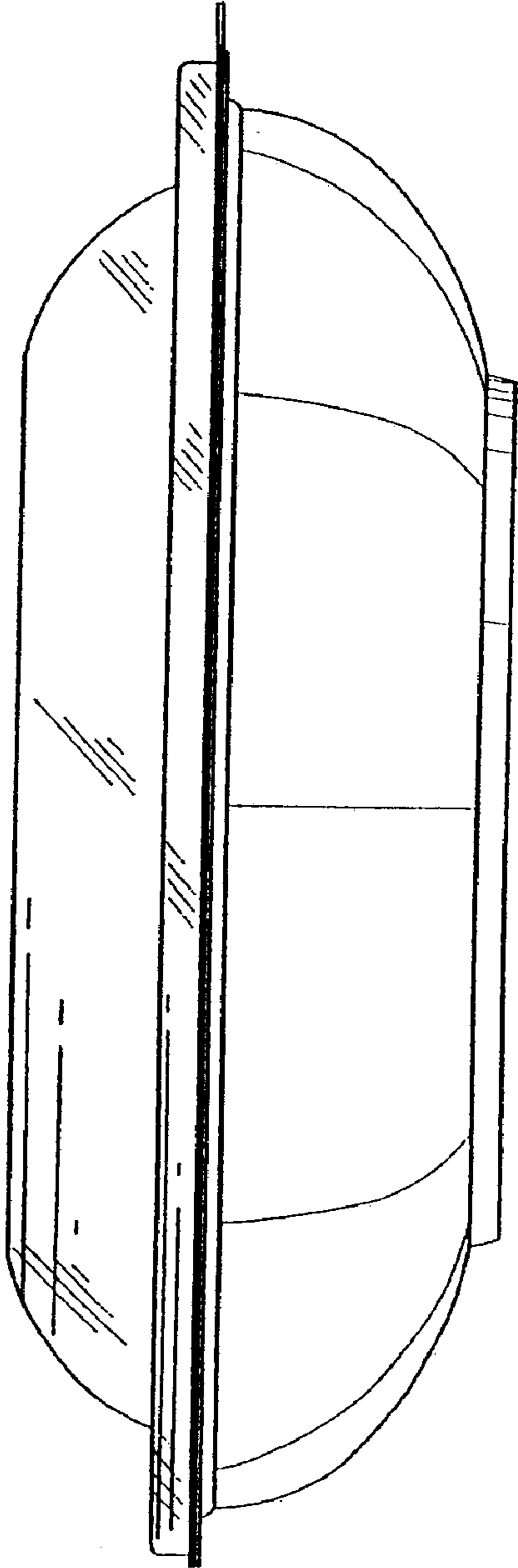


FIG. 2

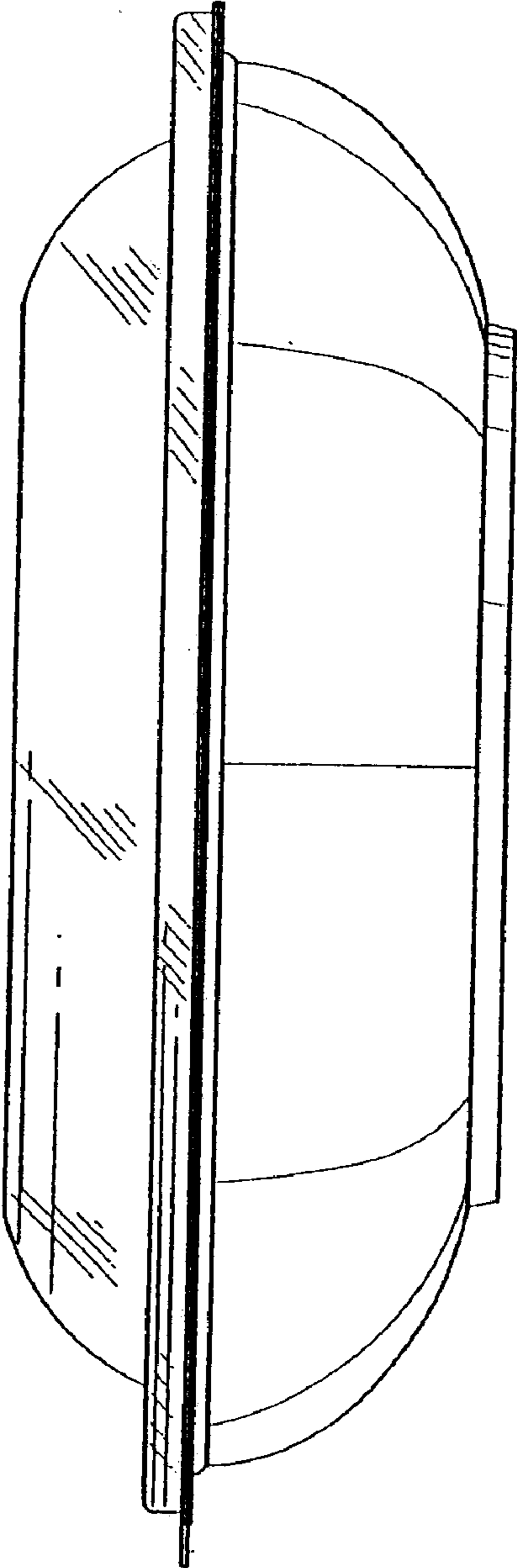


FIG. 3

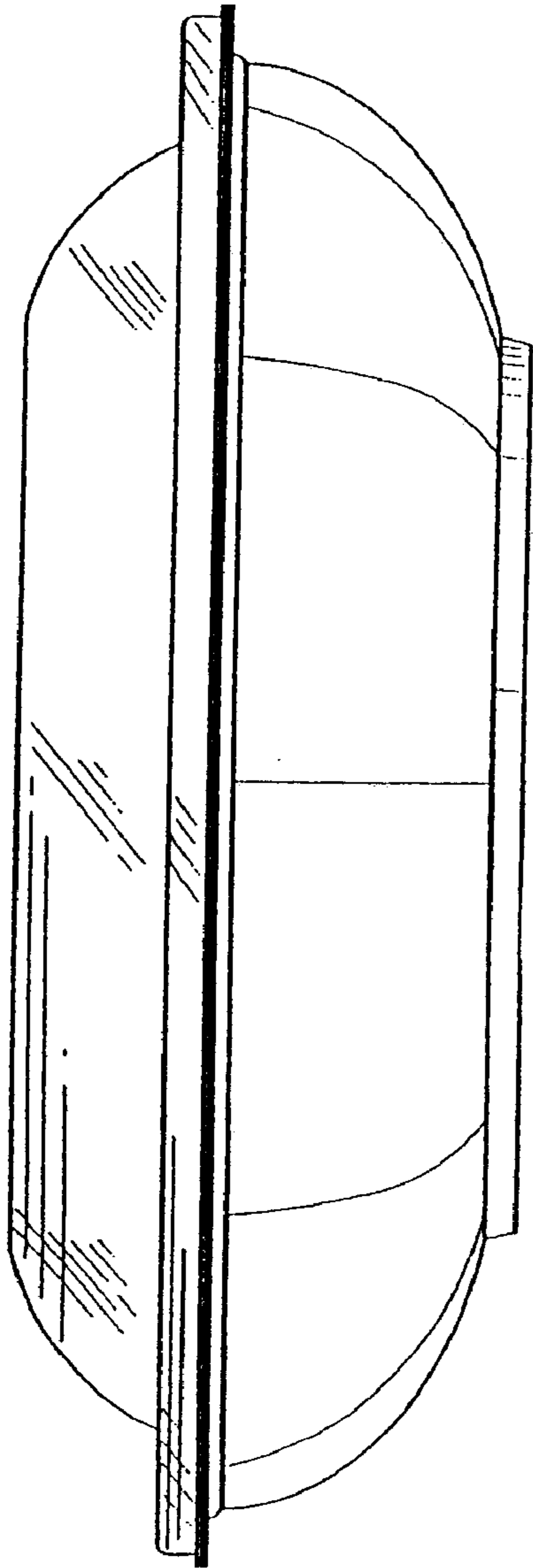


FIG. 4

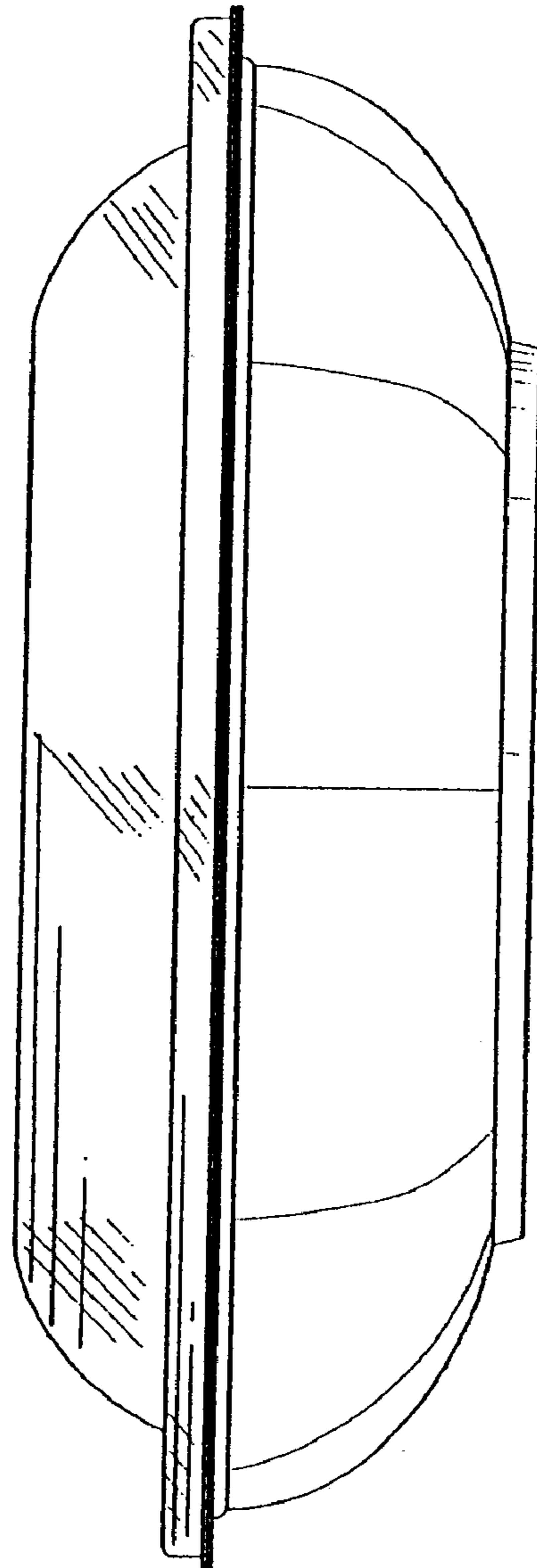


FIG. 5



FIG. 6

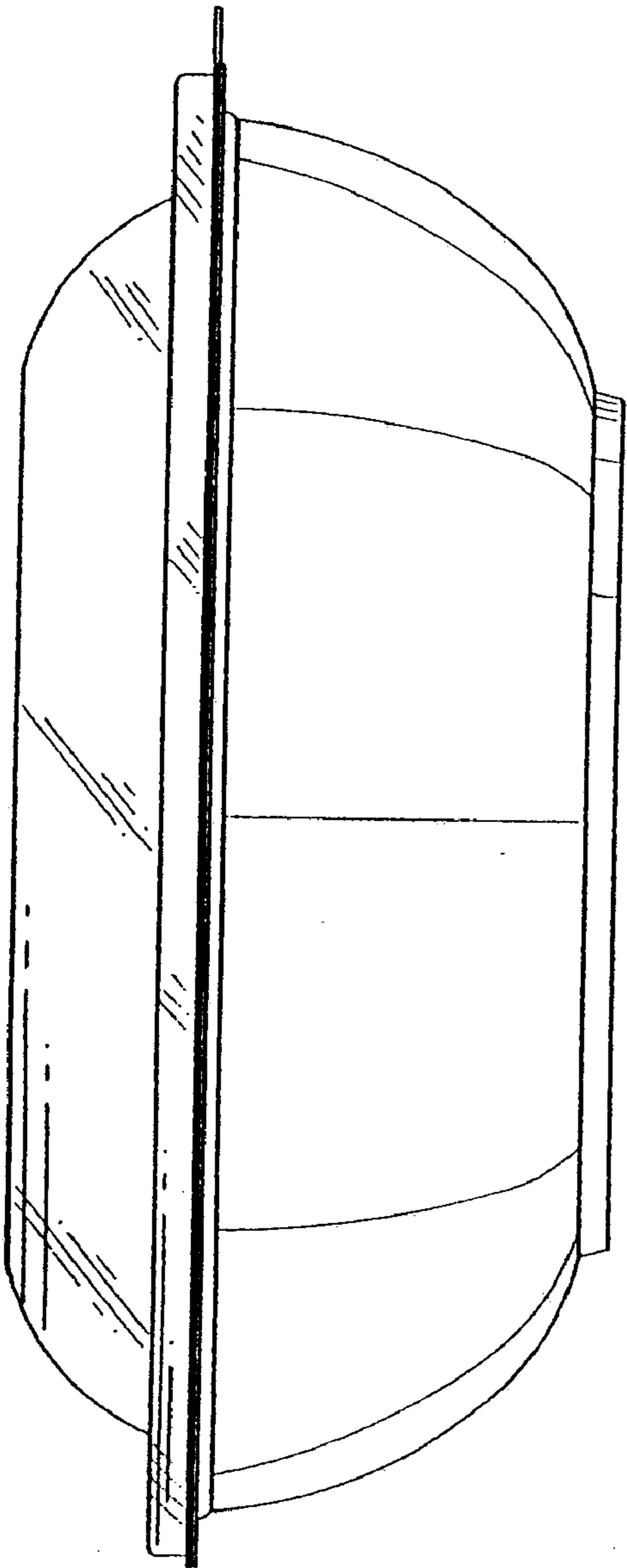


FIG. 7

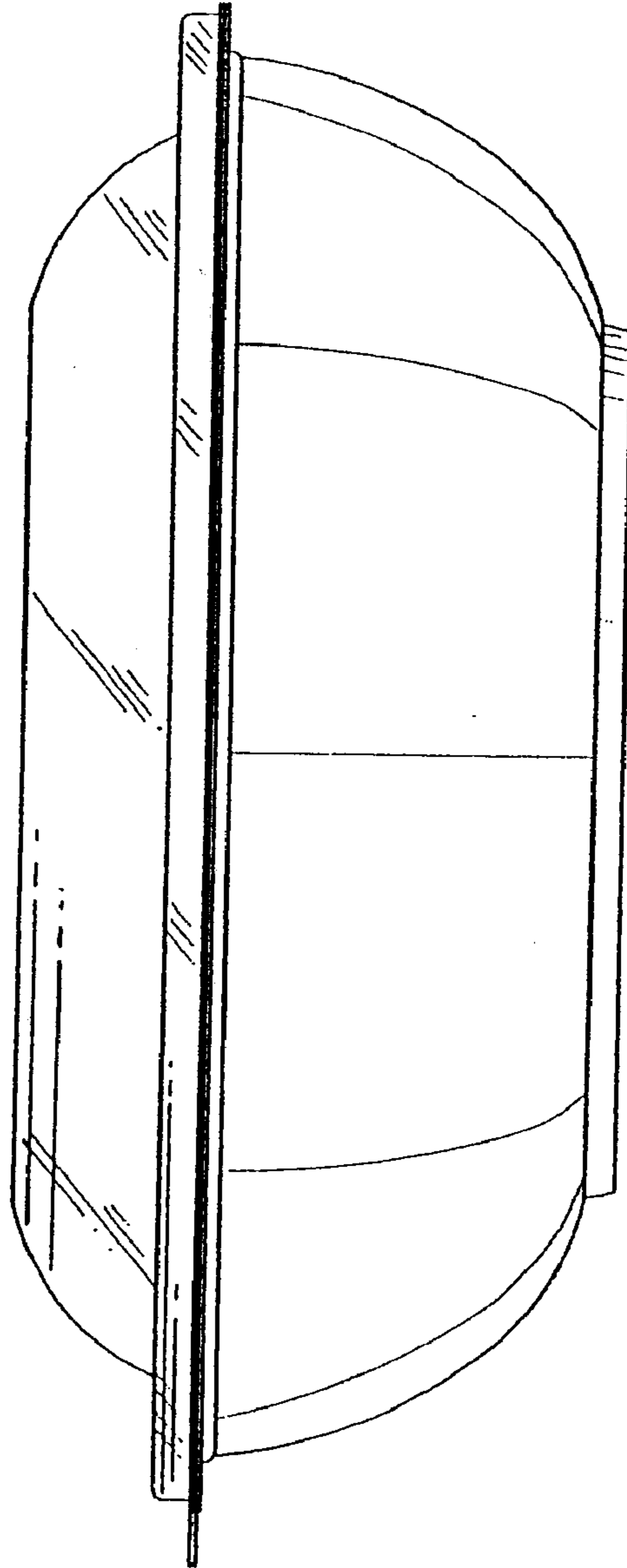


FIG. 8

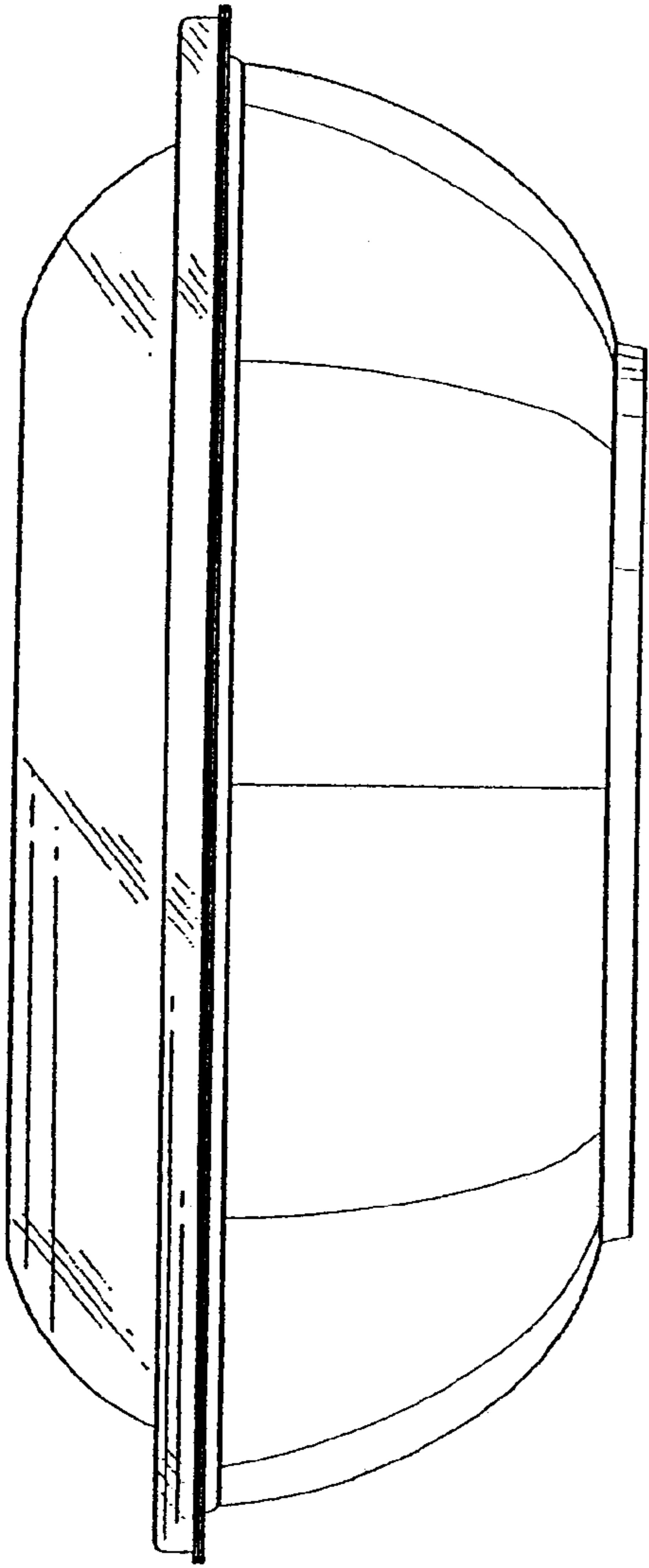


FIG. 9

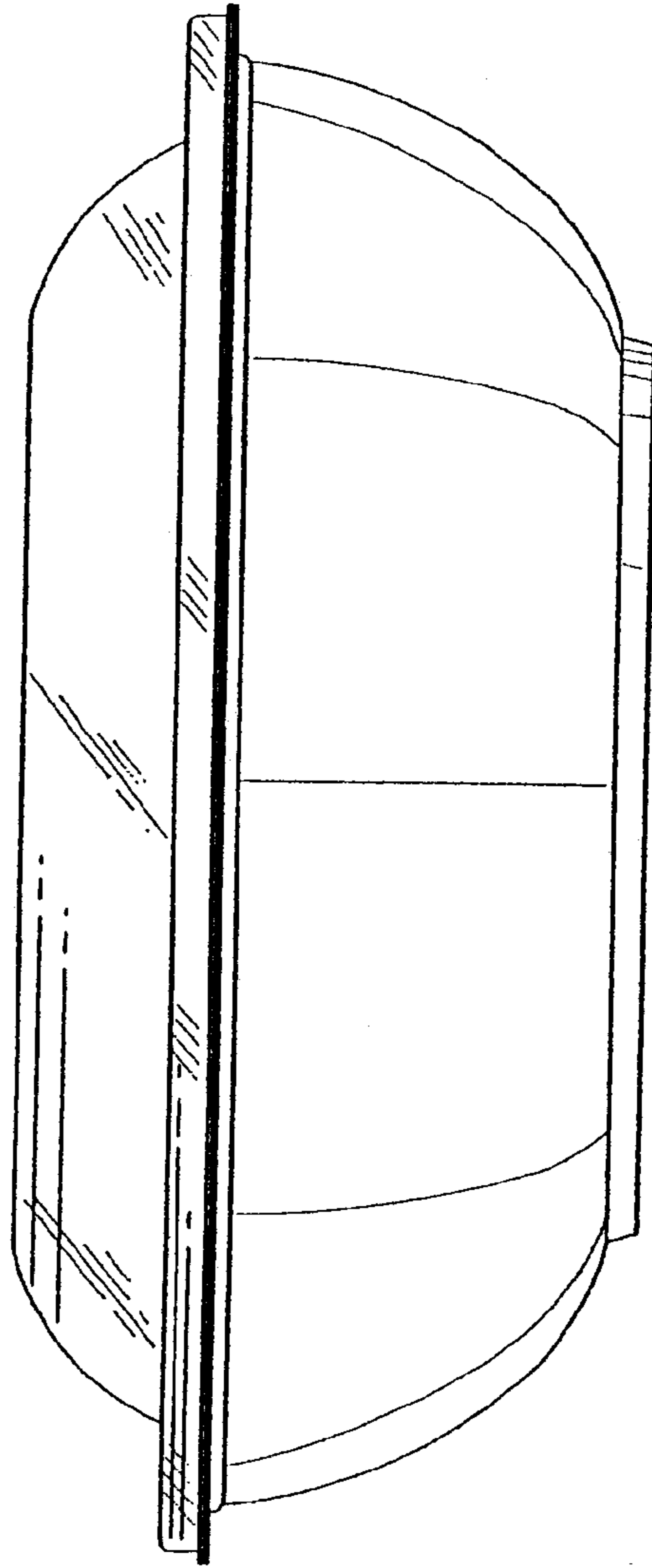


FIG. 10

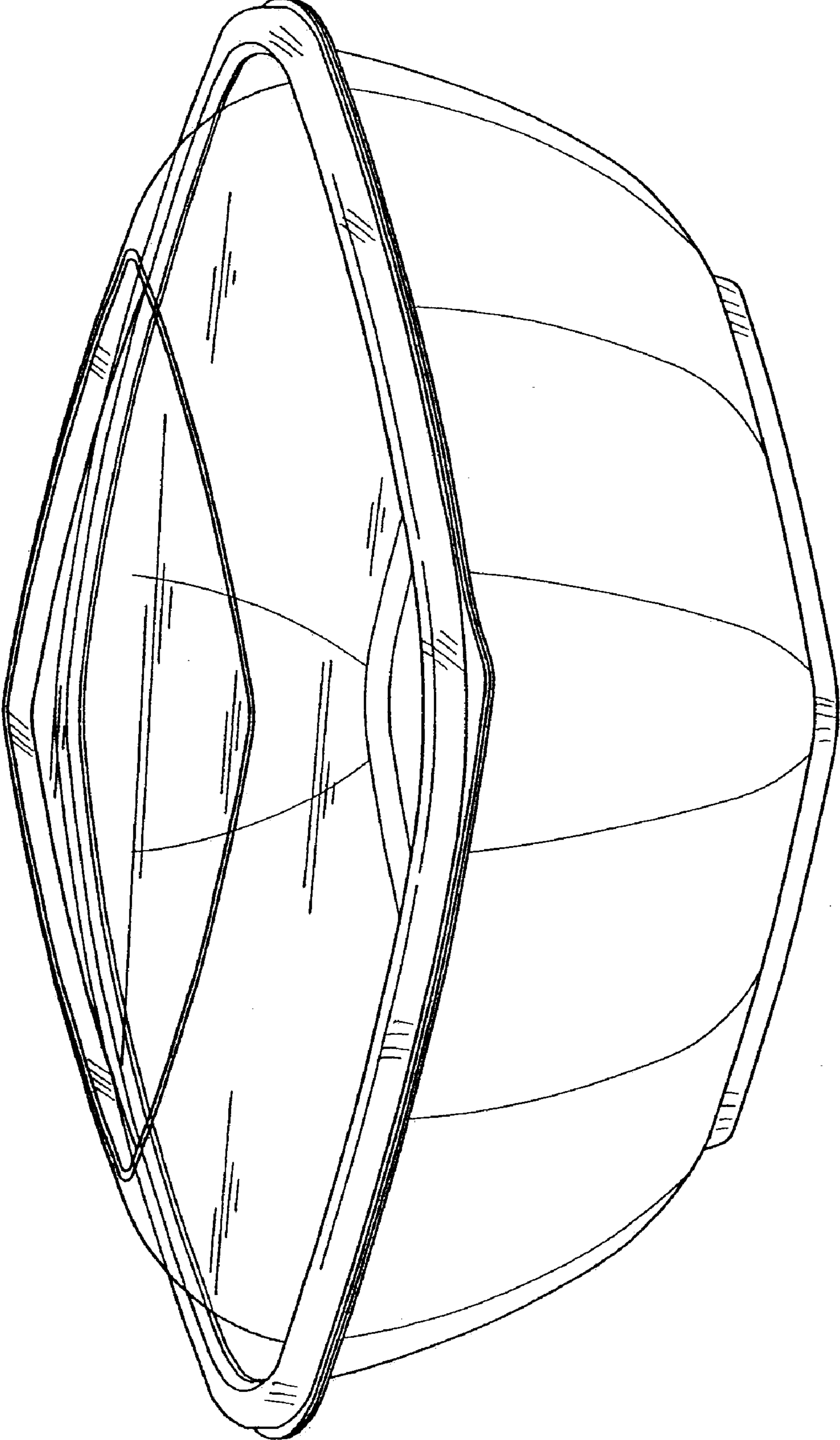


FIG. 11

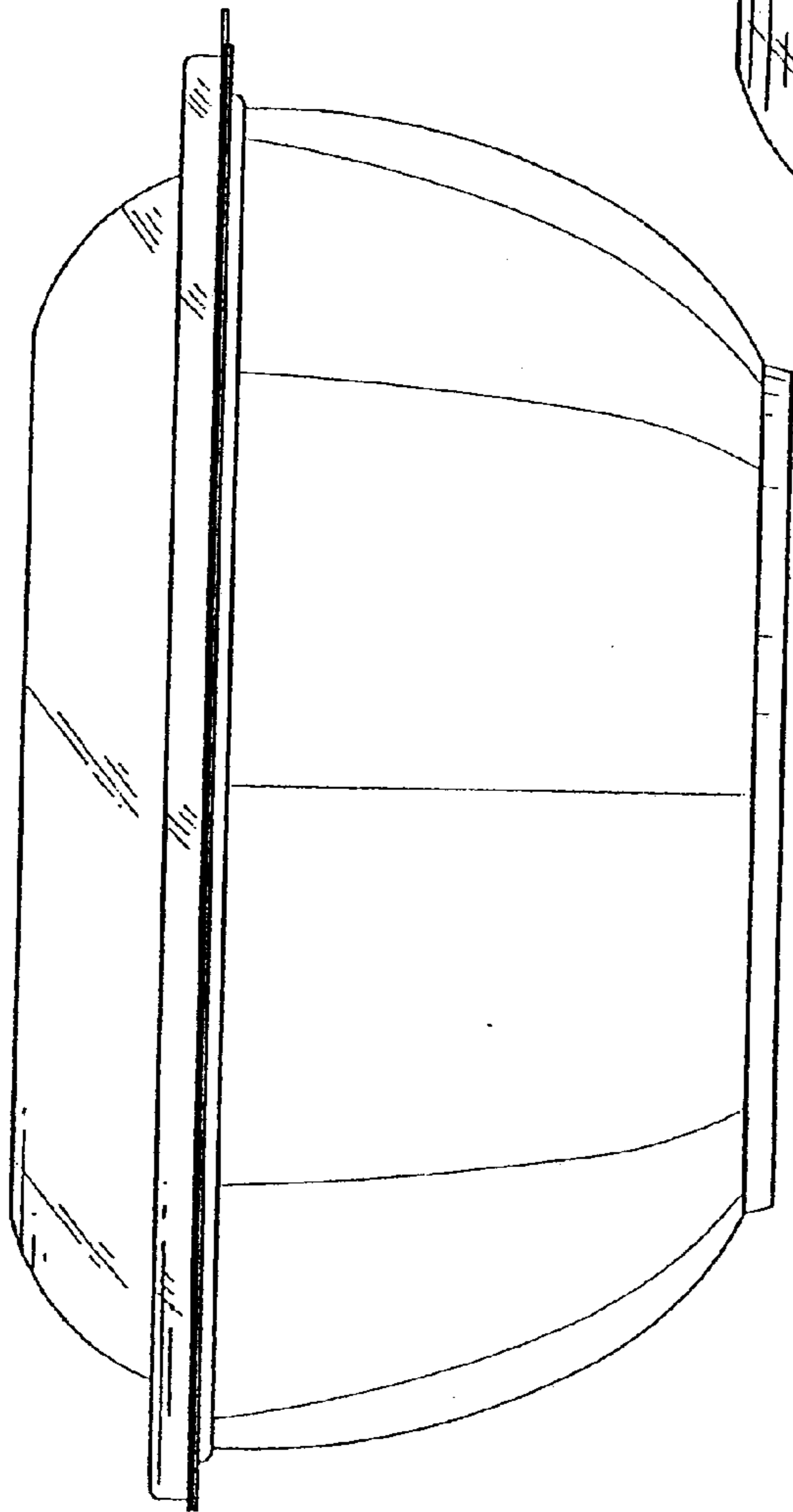


FIG. 12

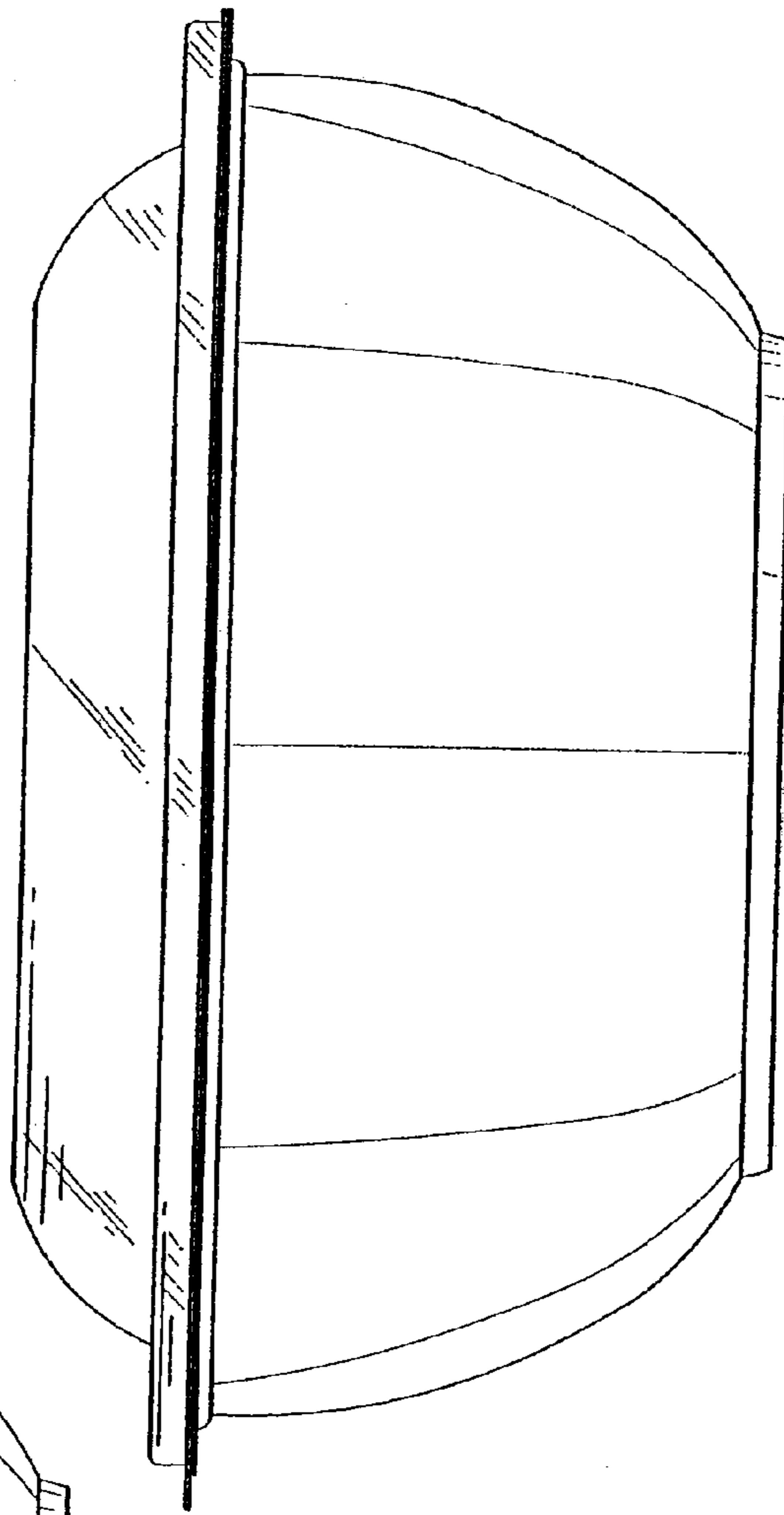


FIG. 13

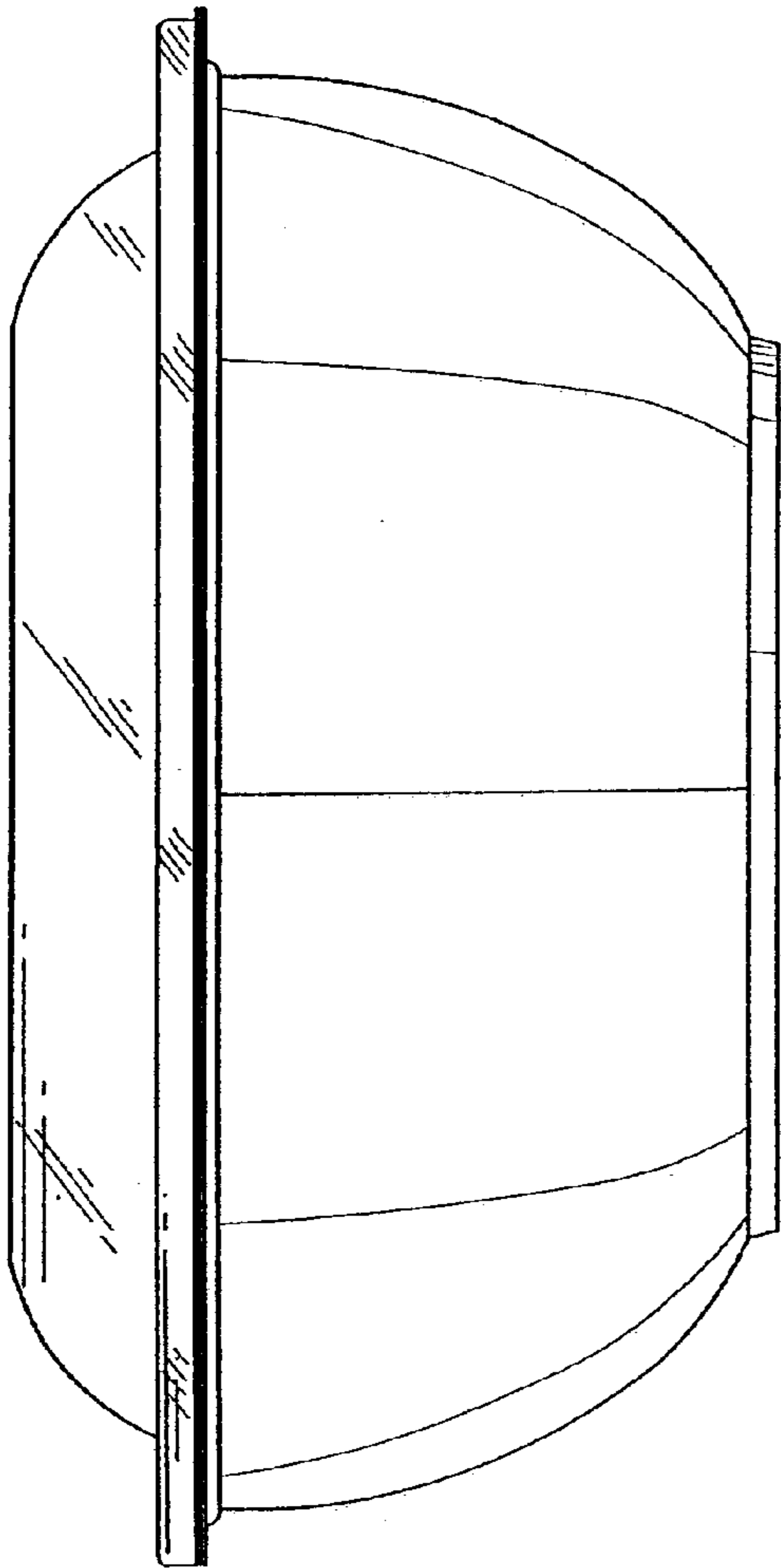


FIG. 14

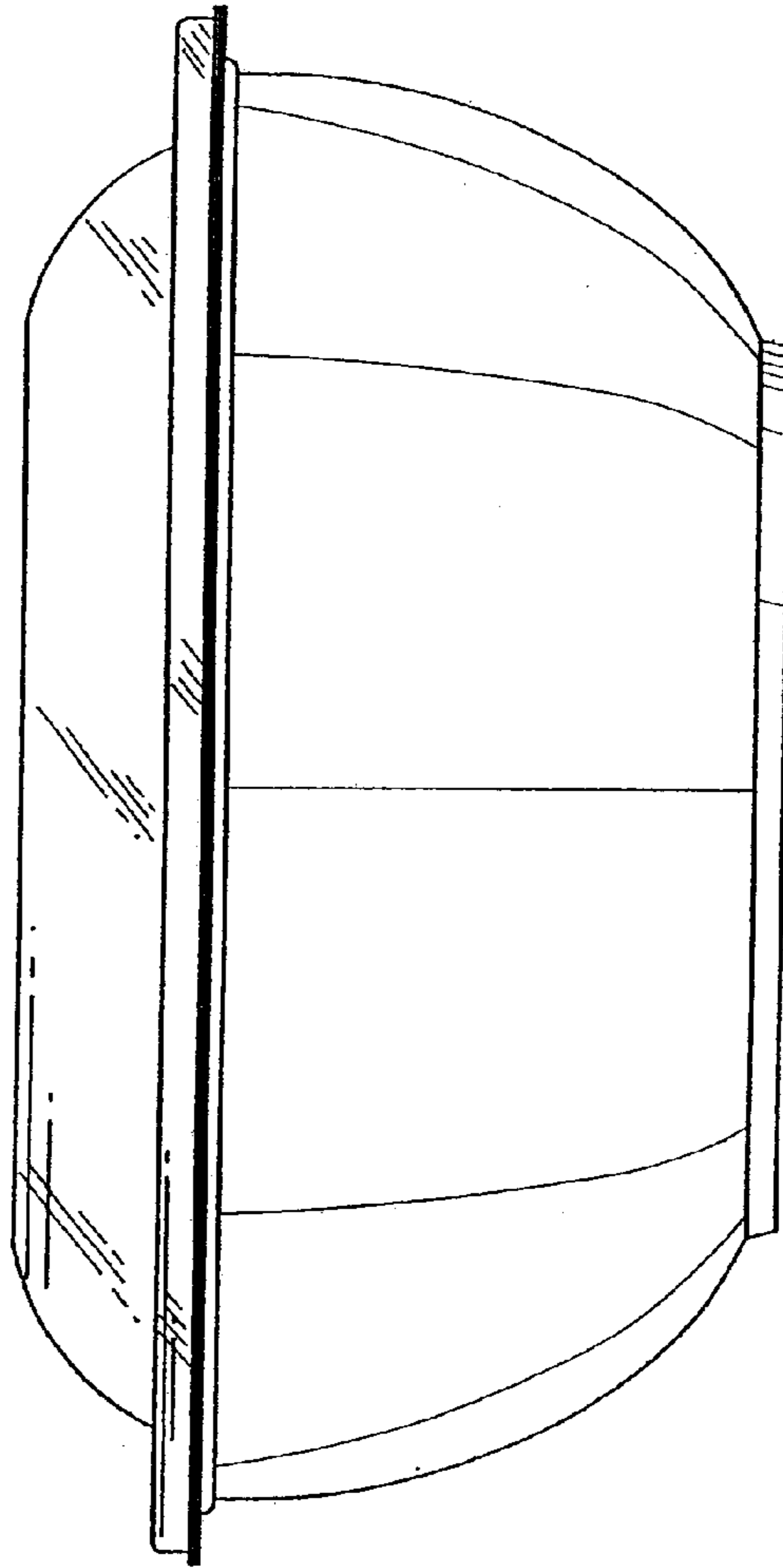


FIG. 15



US00D527956C1

(12) **EX PARTE REEXAMINATION CERTIFICATE** (6498th)
United States Patent
Doliwa

(10) **Number:** **US D527,956 C1**
(45) **Certificate Issued:** **Oct. 28, 2008**

- (54) **COMBINED SQUARE BOWL AND LID**
- (75) **Inventor:** **Wojciech Doliwa**, Sayreville, NJ (US)
- (73) **Assignee:** **PNC Bank, National Association**, East Brunswick, NJ (US)

(58) **Field of Classification Search** D7/629, D7/601, 602, 538, 542; D9/424-426; 220/782
See application file for complete search history.

Reexamination Request:
No. 90/010,077, Dec. 12, 2007

Reexamination Certificate for:
Patent No.: **Des. 527,956**
Issued: **Sep. 12, 2006**
Appl. No.: **29/243,360**
Filed: **Nov. 23, 2005**

(56) **References Cited**

U.S. PATENT DOCUMENTS

D272,595 S	2/1984	Chase et al.
D475,620 S	6/2003	Chen et al.
D475,621 S	6/2003	Buchalski et al.
D495,928 S	9/2004	Laib
D505,596 S	5/2005	Tucker et al.

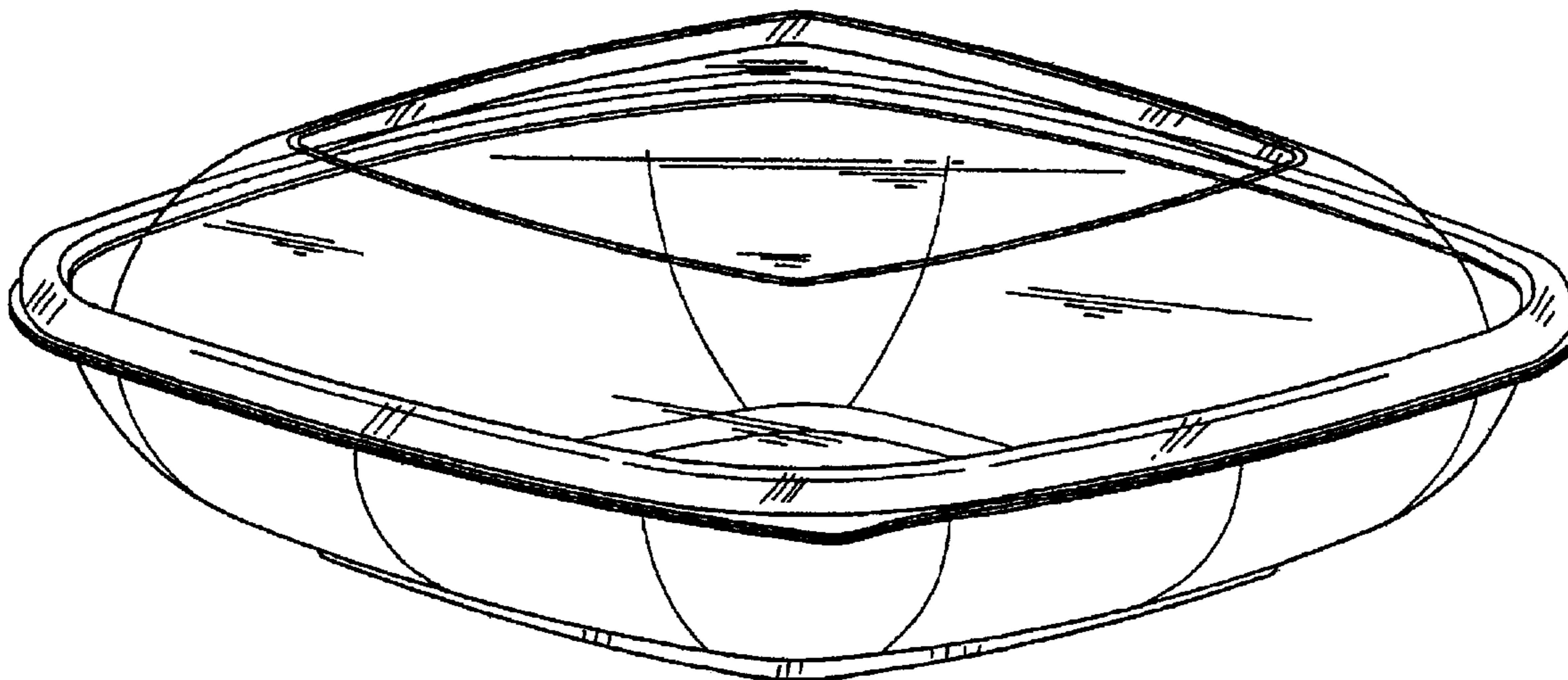
OTHER PUBLICATIONS

“Freshpack™ all set to go” Brochure, Sabert Corporation, dated 1997, and filed with a Statement of Use in U.S. Trademark Application Serial No. 75/407,501 on Aug. 2, 1999.

Related U.S. Application Data

- (62) Division of application No. 29/205,921, filed on May 21, 2004, now abandoned.
- (51) **LOC (8) Cl.** **07-01**
- (52) **U.S. Cl.** **D7/629; D9/432**

Primary Examiner—Robert M. Spear



**EX PARTE
REEXAMINATION CERTIFICATE
ISSUED UNDER 35 U.S.C. 307**

AS A RESULT OF REEXAMINATION, IT HAS BEEN
DETERMINED THAT:

The patentability of the single design claim is confirmed.
The ornamental designs for a combined square bowl and
lid, as shown and described.

* * * * *



US00D527956C2

(12) **EX PARTE REEXAMINATION CERTIFICATE (7229th)**
United States Patent
Doliwa

(10) **Number:** **US D527,956 C2**
(45) **Certificate Issued:** **Dec. 8, 2009**

(54) **COMBINED SQUARE BOWL AND LID**
(75) **Inventor:** **Wojciech Doliwa**, Sayreville, NJ (US)
(73) **Assignee:** **PNC Bank, National Association**, East Brunswick, NJ (US)

(51) **LOC (9) Cl.** **07-01**
(52) **U.S. Cl.** **D7/629; D9/432**
(58) **Field of Classification Search** None
See application file for complete search history.

Reexamination Request:
No. 90/009,364, Mar. 18, 2009

(56) **References Cited**

Reexamination Certificate for:
Patent No.: **Des. 527,956**
Issued: **Sep. 12, 2006**
Appl. No.: **29/243,360**
Filed: **Nov. 23, 2005**

U.S. PATENT DOCUMENTS

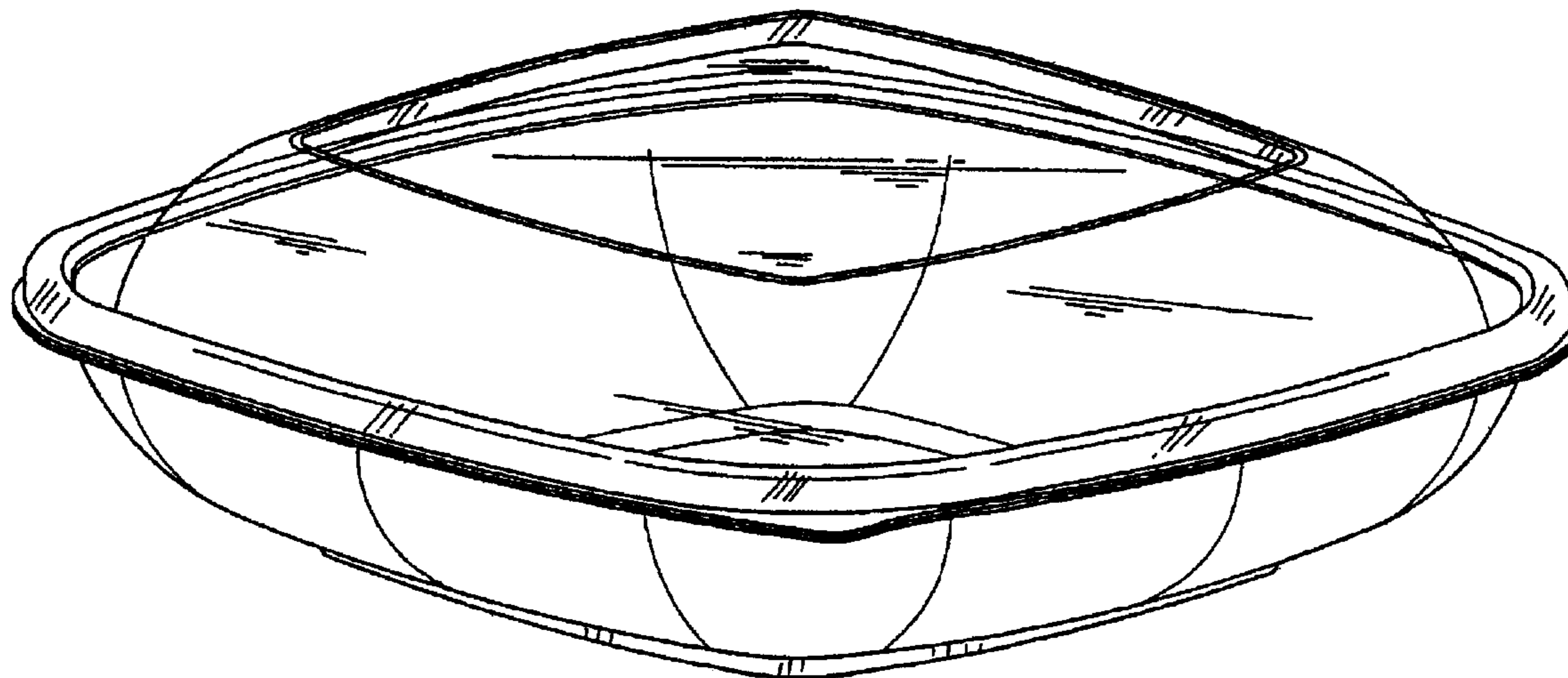
D103,125 S	2/1937	Nicholson	D7/542
3,447,714 A	6/1969	Elliott	206/1.5
4,917,261 A	4/1990	Borst	220/324
5,356,026 A	10/1994	Andress et al.	206/508
D366,211 S	1/1996	Buff et al.	D9/425
5,984,130 A	11/1999	Hayes et al.	220/574
D440,829 S	4/2001	Brown	D7/629
D450,983 S	11/2001	Tucker et al.	D7/629
D475,620 S	6/2003	Chen et al.	D9/425
D505,596 S	5/2005	Tucker et al.	D7/629

Reexamination Certificate C1 Des. 527,956 issued Oct. 28, 2008

Related U.S. Application Data

(62) Division of application No. 29/205,921, filed on May 21, 2004, now Pat. No. Des. 588,417.

Primary Examiner—Robert M Spear



EX PARTE
REEXAMINATION CERTIFICATE
ISSUED UNDER 35 U.S.C. 307
AS A RESULT OF REEXAMINATION, IT HAS BEEN
DETERMINED THAT:

The patentability of the single design claim is confirmed.

The ornamental designs for a combined square bowl and lid, as shown and described.

* * * * *