



US00D527955S

(12) **United States Design Patent**
Shibata et al.

(10) **Patent No.:** **US D527,955 S**

(45) **Date of Patent:** **** Sep. 12, 2006**

(54) **CUP HOLDER FOR CHILD CAR SEAT**

4,997,156 A * 3/1991 Allen 248/311.2
5,597,148 A * 1/1997 Gospodarich 248/311.2
6,592,180 B1 * 7/2003 Combs 297/188.14

(75) Inventors: **Fumie Shibata**, Tokyo (JP); **Yuuki Shibata**, Tokyo (JP); **Shushi Hosoya**, Saitama (JP); **Ryoichi Yumoto**, Saitama (JP)

* cited by examiner

(73) Assignee: **Combi Corporation**, Tokyo (JP)

Primary Examiner—Terry A. Wallace

(**) Term: **14 Years**

(74) *Attorney, Agent, or Firm*—Venable LLP; Michael A. Sartori; Steven J. Schwarz

(21) Appl. No.: **29/238,894**

(57) **CLAIM**

(22) Filed: **Sep. 23, 2005**

The ornamental design for a cup holder for child car seat, as shown and described.

(30) **Foreign Application Priority Data**

DESCRIPTION

Mar. 24, 2005 (JP) 2005-008655

(51) **LOC (8) Cl.** **07-06**

FIG. 1 is a perspective view of a cup holder for child car seat embodying the new design;

(52) **U.S. Cl.** **D7/620**

FIG. 2 is a front view thereof;

(58) **Field of Classification Search** D7/619.1–625;
D12/419; D6/356, 491; 220/751, 737; 297/188.14–188.18,
297/188.2; 296/37.4; 224/275, 276, 409,
224/414, 482, 483, 926; 248/311.2; 215/393–398
See application file for complete search history.

FIG. 3 is a top view thereof;

FIG. 4 is a bottom view thereof;

FIG. 5 is a right side view thereof; and,

FIG. 6 is a left side view thereof.

(56) **References Cited**

U.S. PATENT DOCUMENTS

4,063,701 A * 12/1977 Wray 248/311.2

1 Claim, 2 Drawing Sheets

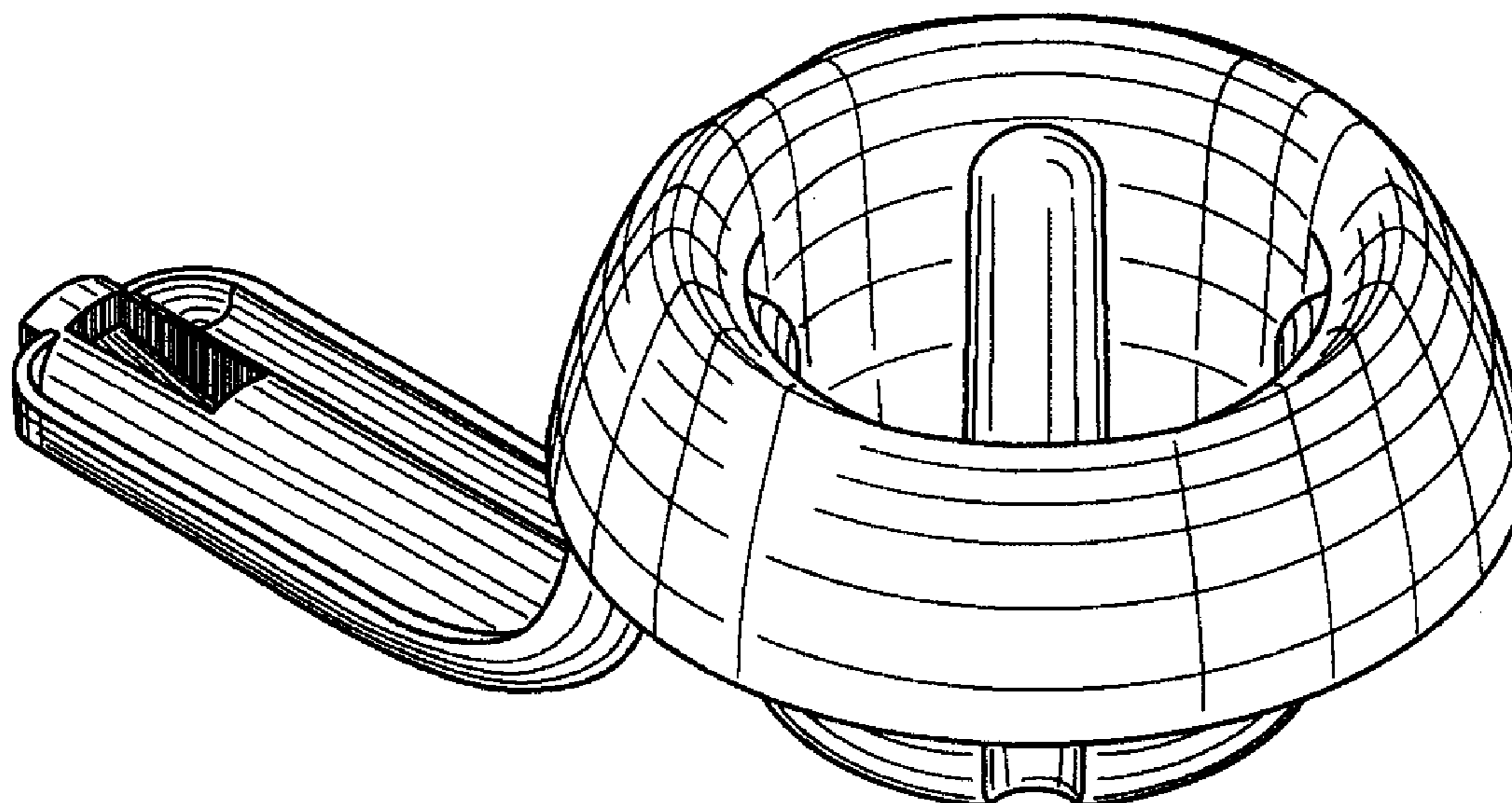


FIG. 1

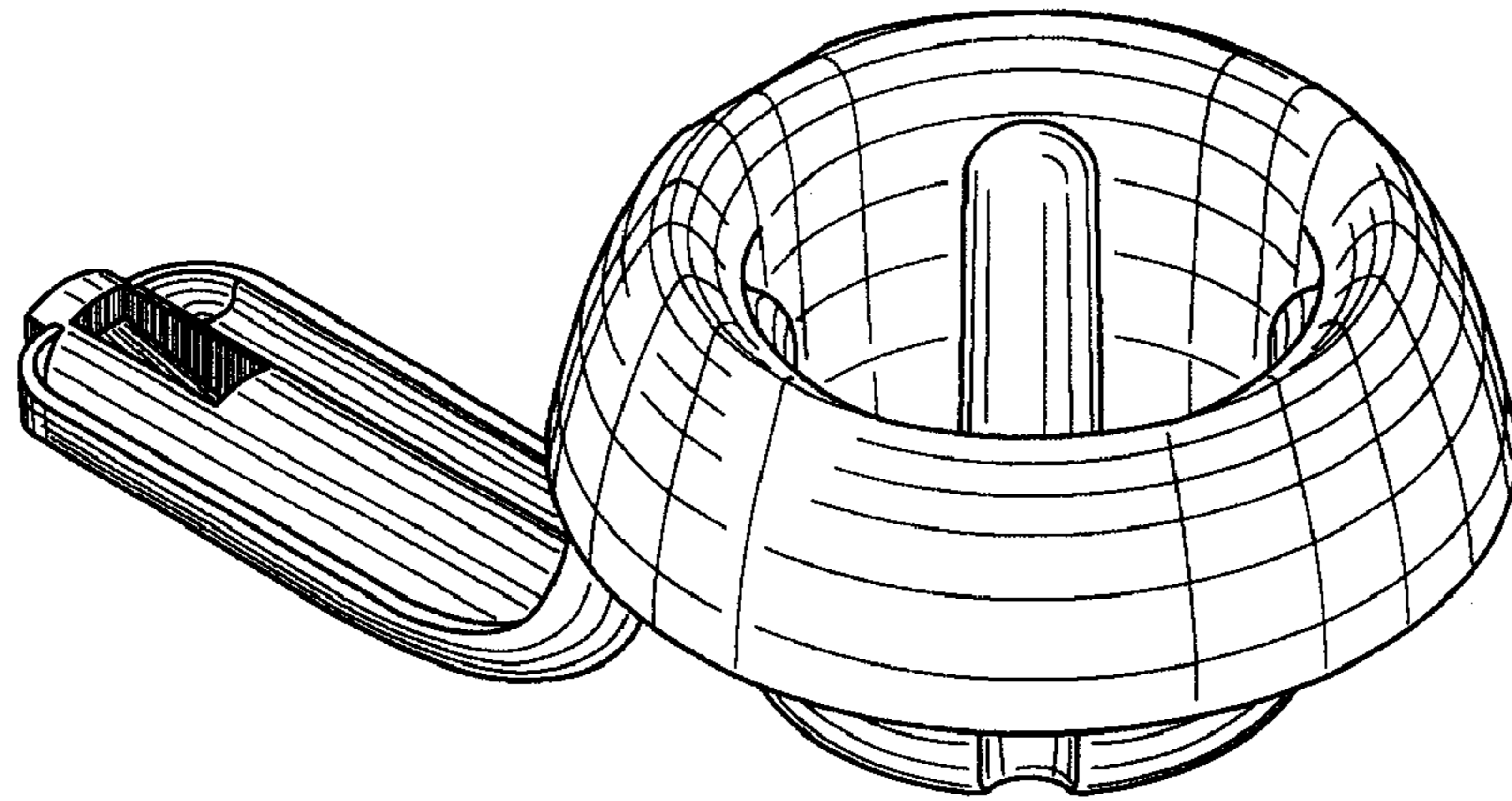


FIG. 2

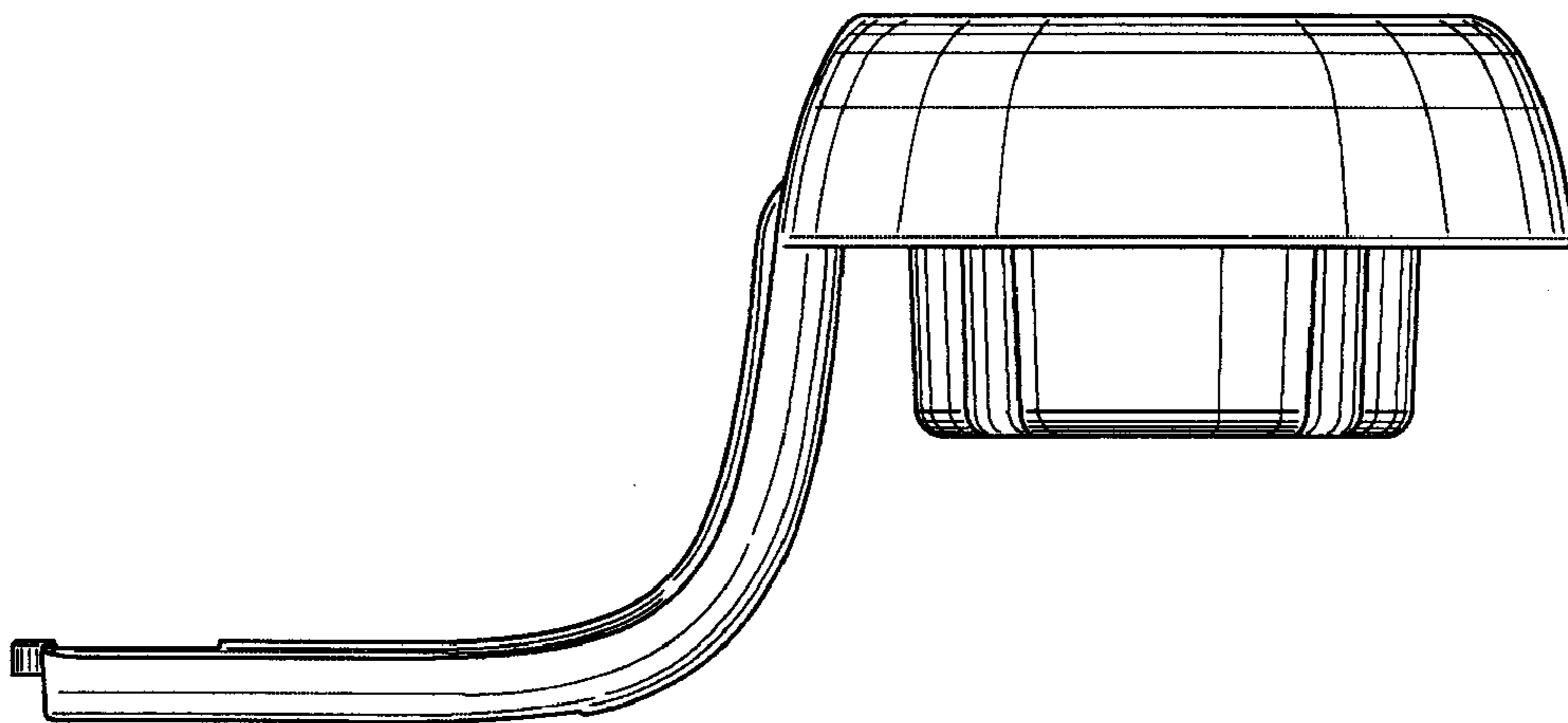


FIG. 3

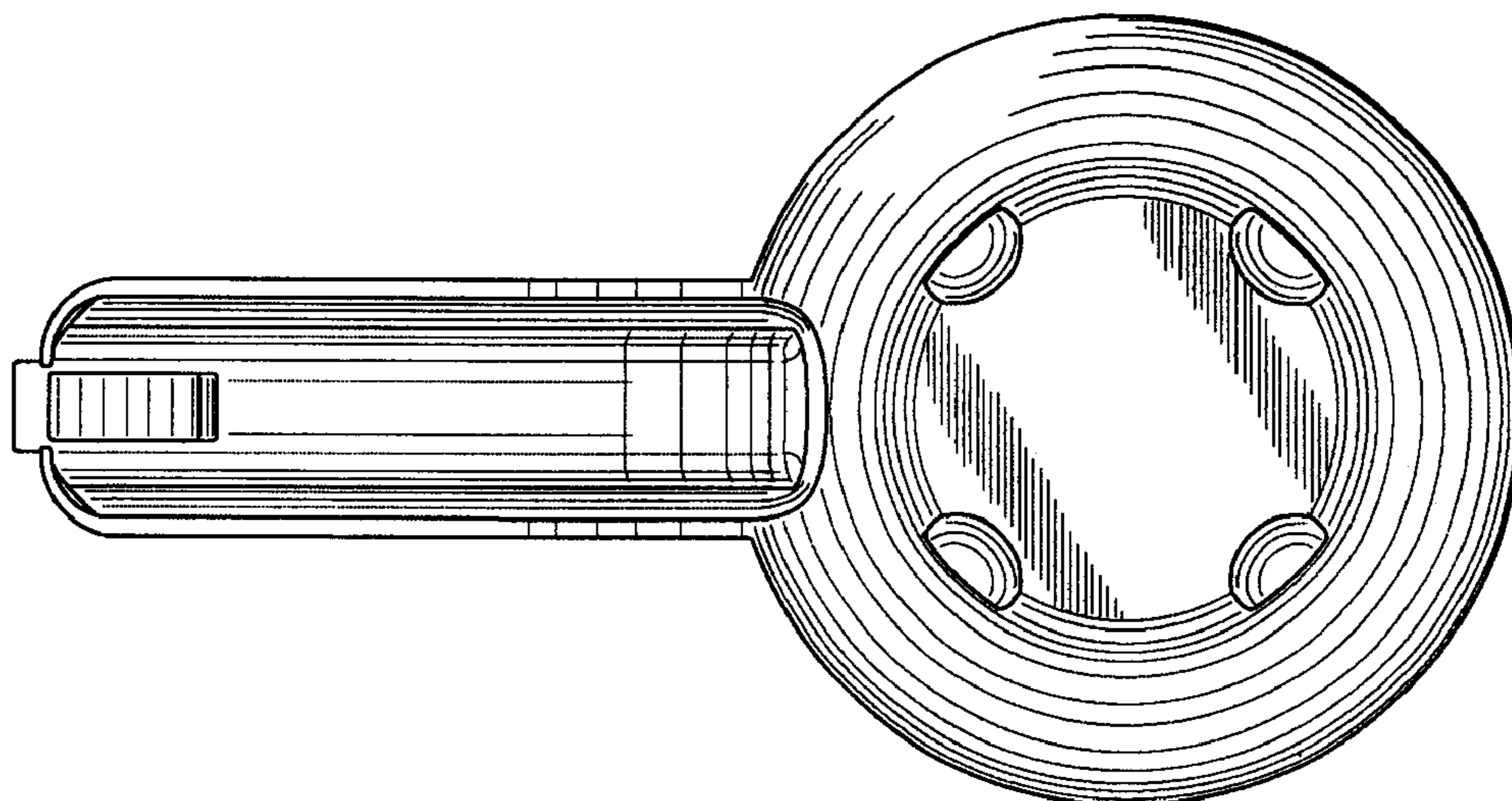


FIG. 4

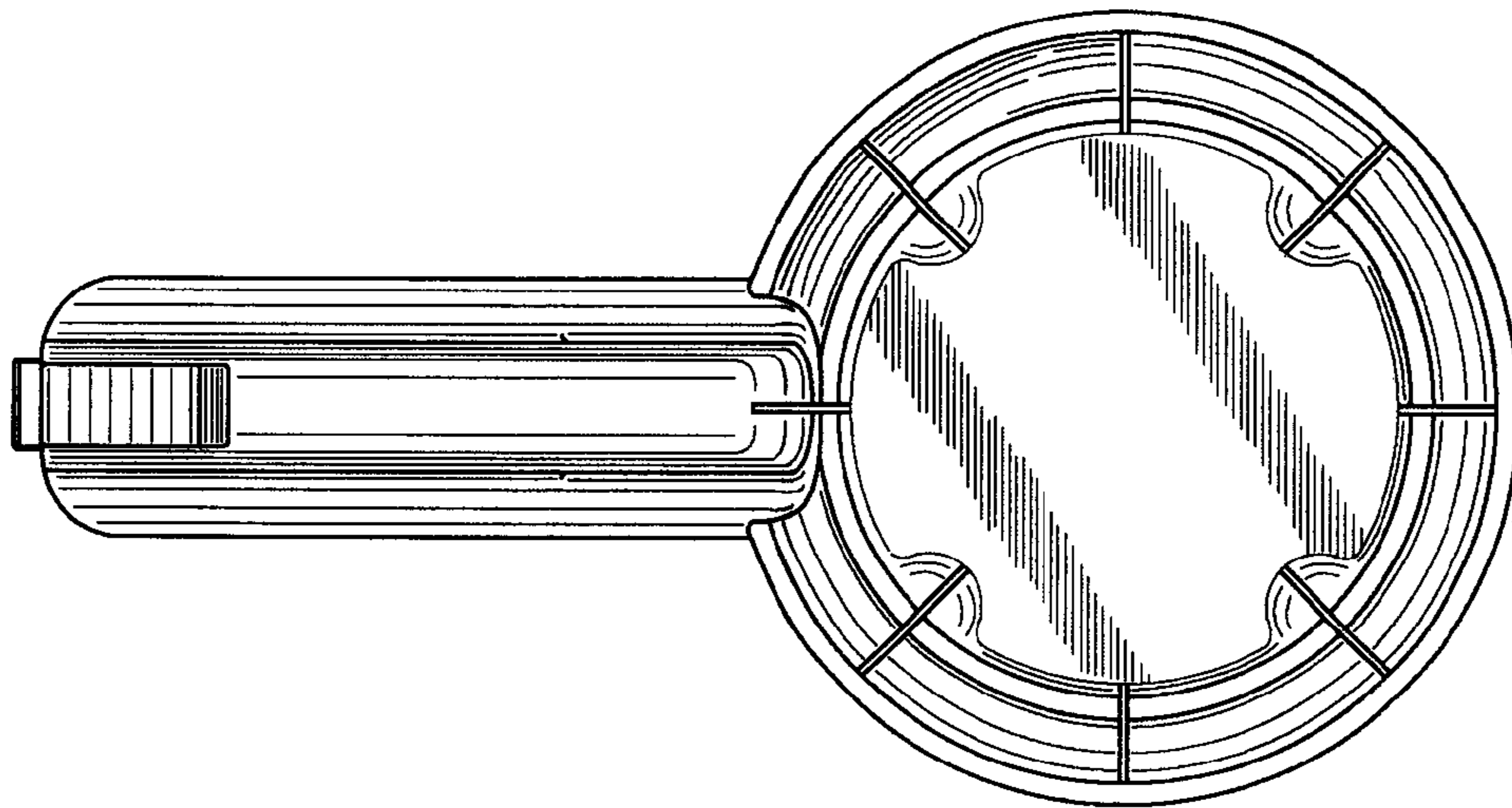


FIG. 5

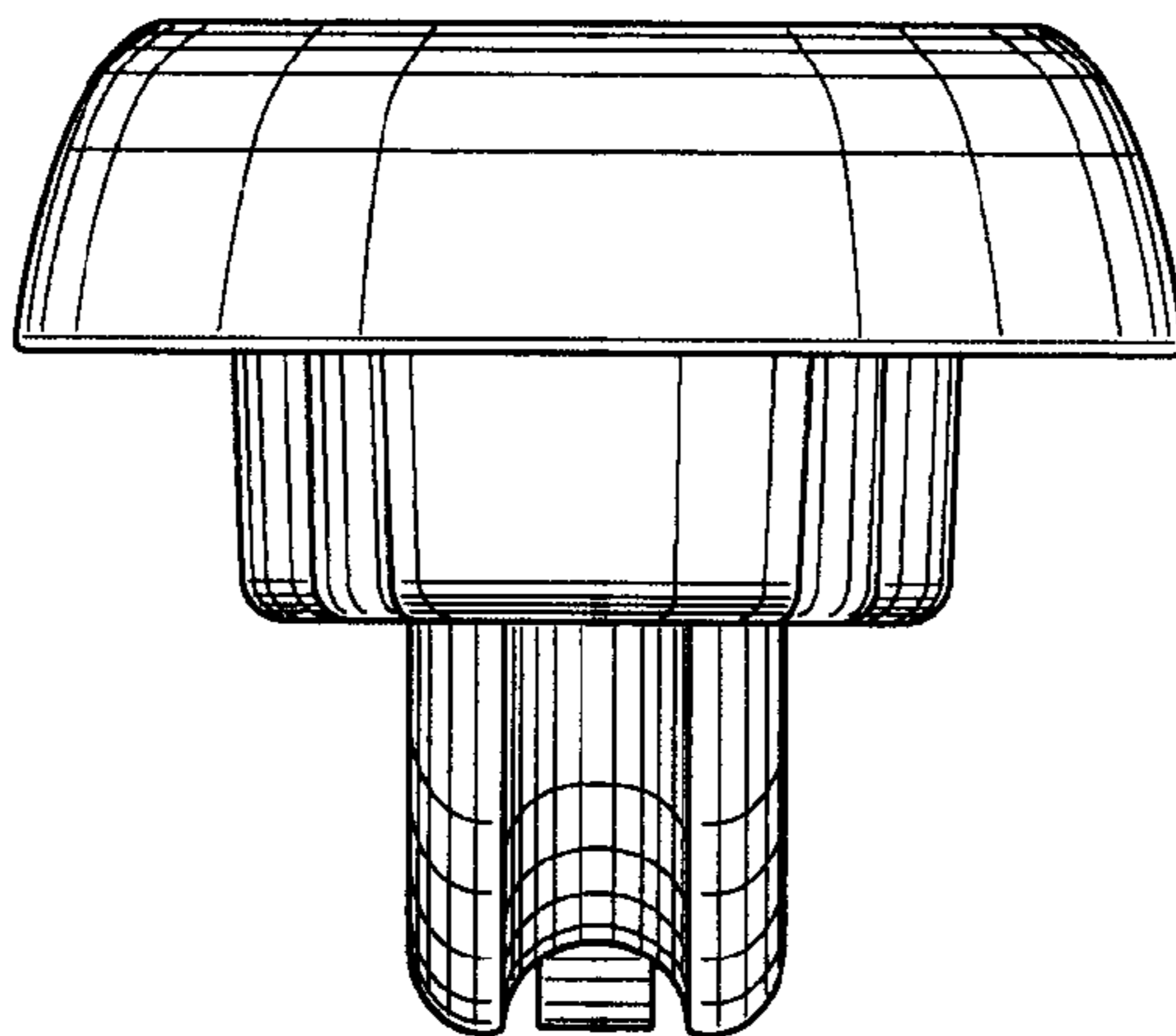


FIG. 6

