

US00D527952S

(12) **United States Design Patent**  
**Roth et al.**

(10) **Patent No.:** **US D527,952 S**  
(45) **Date of Patent:** **\*\* Sep. 12, 2006**

(54) **BOWL**

(76) Inventors: **Donna Roth**, 10 Cordage Park Cir.,  
Suite 212, Plymouth, MA (US) 02360;  
**Henry Roth**, 10 Cordage Park Cir.,  
Suite 212, Plymouth, MA (US) 02360

(\*\*) Term: **14 Years**

(21) Appl. No.: **29/215,245**

(22) Filed: **Oct. 15, 2004**

**Related U.S. Application Data**

(63) Continuation-in-part of application No. 29/209,746, filed on Jul. 21, 2004, now Pat. No. Des. 571,435, and a continuation-in-part of application No. 29/210,422, filed on Jul. 30, 2004, and a continuation-in-part of application No. 29/210,681, filed on Aug. 4, 2004, and a continuation-in-part of application No. 29/210,423, filed on Jul. 30, 2004, and a continuation-in-part of application No. 29/210,287, filed on Jul. 29, 2004, and a continuation-in-part of application No. 29/211,946, filed on Aug. 24, 2004.

(51) **LOC (8) Cl.** ..... **07-01**

(52) **U.S. Cl.** ..... **D7/540; D7/575; D7/584**

(58) **Field of Classification Search** ..... D7/545,  
D7/587, 553.3, 551.1, 586, 584, 553.6, 557,  
D7/555, 505, 549, 629, 501; D30/130; D11/152,  
D11/143; 426/132; 206/546; 220/574, 575,  
220/23.6, 506; 249/139; D9/428, 425  
See application file for complete search history.

(56) **References Cited**

**U.S. PATENT DOCUMENTS**

947,373 A *	1/1910	Coleman	.....	62/457.6
2,661,679 A *	12/1953	Guilder	.....	249/139
D195,046 S *	4/1963	Swett	.....	D7/505
D240,957 S *	8/1976	Burke	.....	D11/164
4,395,015 A *	7/1983	Reardon	.....	249/115
D285,157 S *	8/1986	Wan	.....	D7/501
D286,250 S *	10/1986	Prescott	.....	D7/557
D289,246 S *	4/1987	Ritman	.....	D7/584
D289,843 S *	5/1987	Ritman	.....	D7/584
D291,757 S *	9/1987	Ritman	.....	D7/584
D304,658 S *	11/1989	Mattei	.....	D7/505
D304,659 S *	11/1989	Asner	.....	D7/505

5,231,850 A	8/1993	Morris et al.	
D343,929 S *	2/1994	Karapetian	..... D30/130
5,345,784 A	9/1994	Bazemore et al.	
D360,112 S *	7/1995	McEntee	..... D7/584
D381,472 S *	7/1997	Catalano et al.	..... D30/130
D384,554 S	10/1997	Ancona et al.	
5,869,120 A	2/1999	Blazevich	
D418,018 S *	12/1999	Winsted	..... D7/553.8
6,022,571 A	2/2000	Blazevich	
6,044,650 A	4/2000	Cook et al.	
6,168,813 B1	1/2001	Blazevich	
D444,676 S *	7/2001	Murphy	..... D7/553.6
6,318,114 B1	11/2001	Slaughter	
D452,146 S	12/2001	Lin	
D453,308 S *	2/2002	McCauley	..... D11/152
6,474,494 B1	11/2002	Miller et al.	
6,514,548 B1	2/2003	Lin	
6,550,630 B1 *	4/2003	Krupa	..... 220/575
D478,469 S	8/2003	Roth et al.	
6,601,403 B1	8/2003	Roth et al.	
D481,262 S *	10/2003	Tisdale et al.	..... D7/586
D488,741 S *	4/2004	Moya	..... D11/143
D489,972 S *	5/2004	Lin	..... D7/553.6
D511,273 S *	11/2005	Hadeler	..... D7/553.6
D516,867 S *	3/2006	Martin et al.	..... D7/586

\* cited by examiner

*Primary Examiner*—M. N. Pandozzi  
(74) *Attorney, Agent, or Firm*—Garcia-Zamor IP Law; Ruy M. Garcia-Zamor

(57) **CLAIM**

The ornamental design for a bowl, as shown and described.

**DESCRIPTION**

FIG. 1 is a perspective view of a bowl showing our new design;  
FIG. 2 is a top plan view of the bowl of FIG. 1;  
FIG. 3 is a front elevational view of the bowl of FIG. 1; the rear elevational view of the bowl of FIG. 1 being the same; the left side elevational view of the bowl of FIG. 1 being the same; the right side elevational view of the bowl of FIG. 1 being the same; and,  
FIG. 4 is a bottom plan view of the bowl of FIG. 1.

**1 Claim, 2 Drawing Sheets**

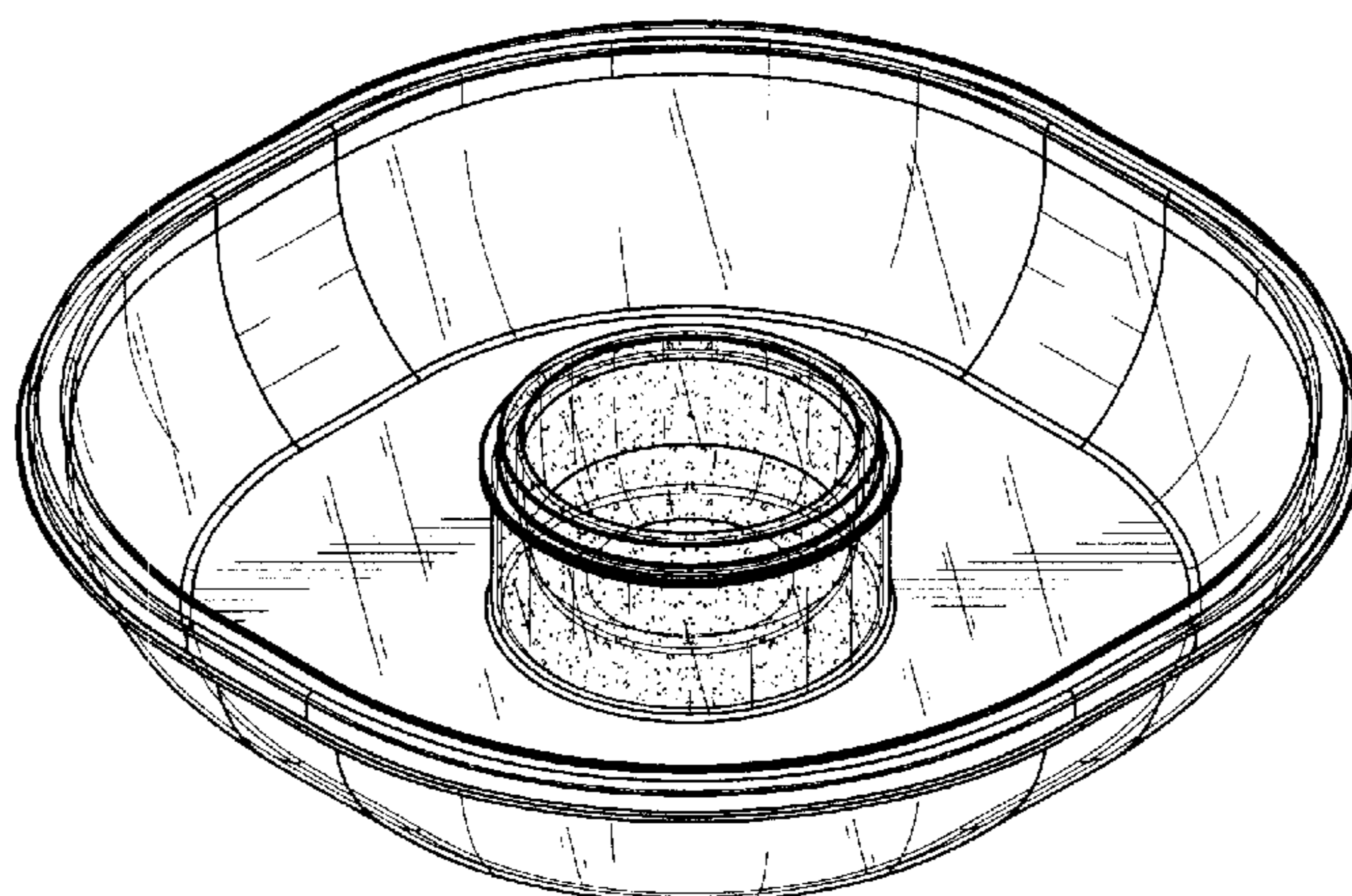




FIG. 1

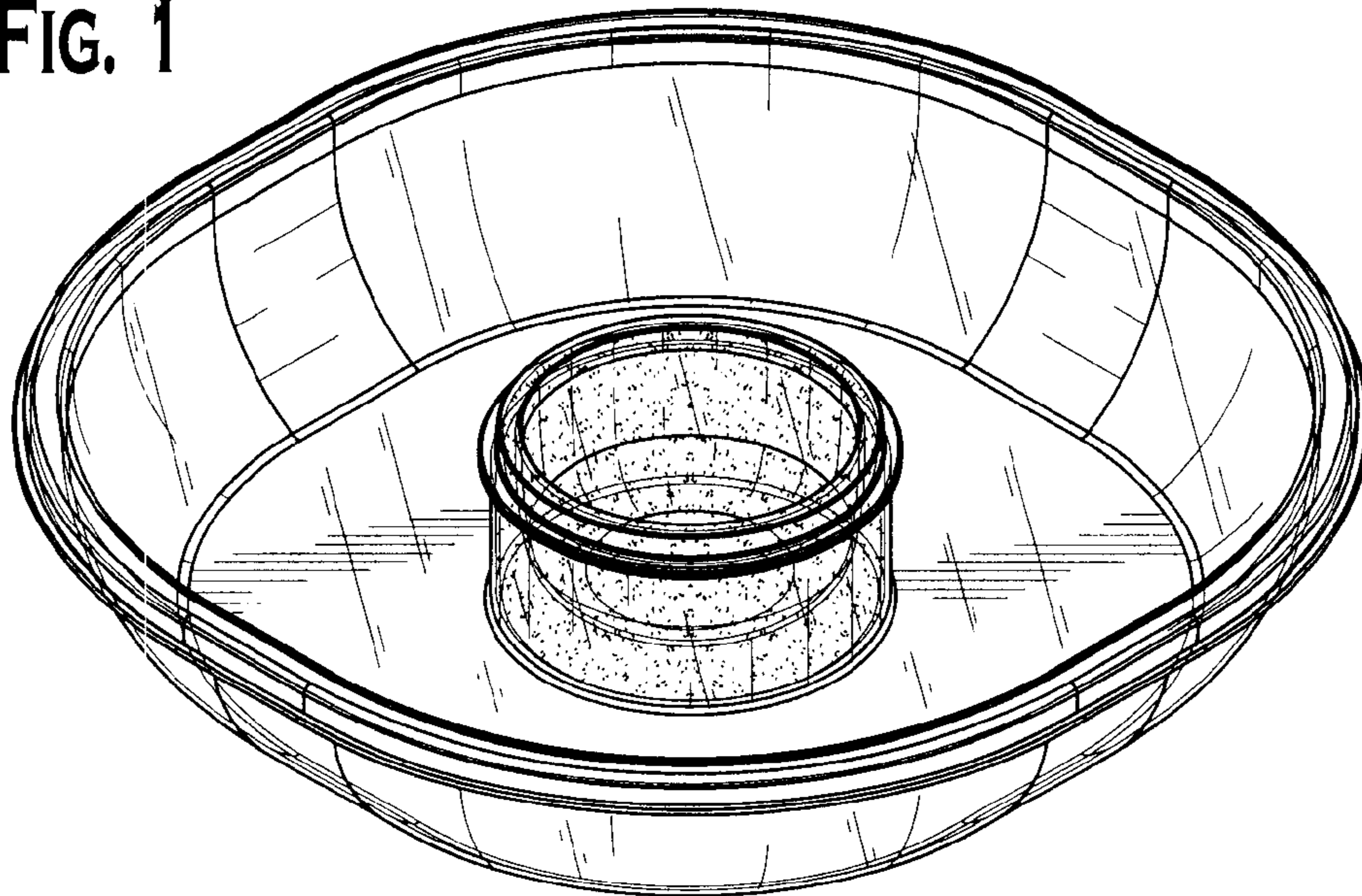
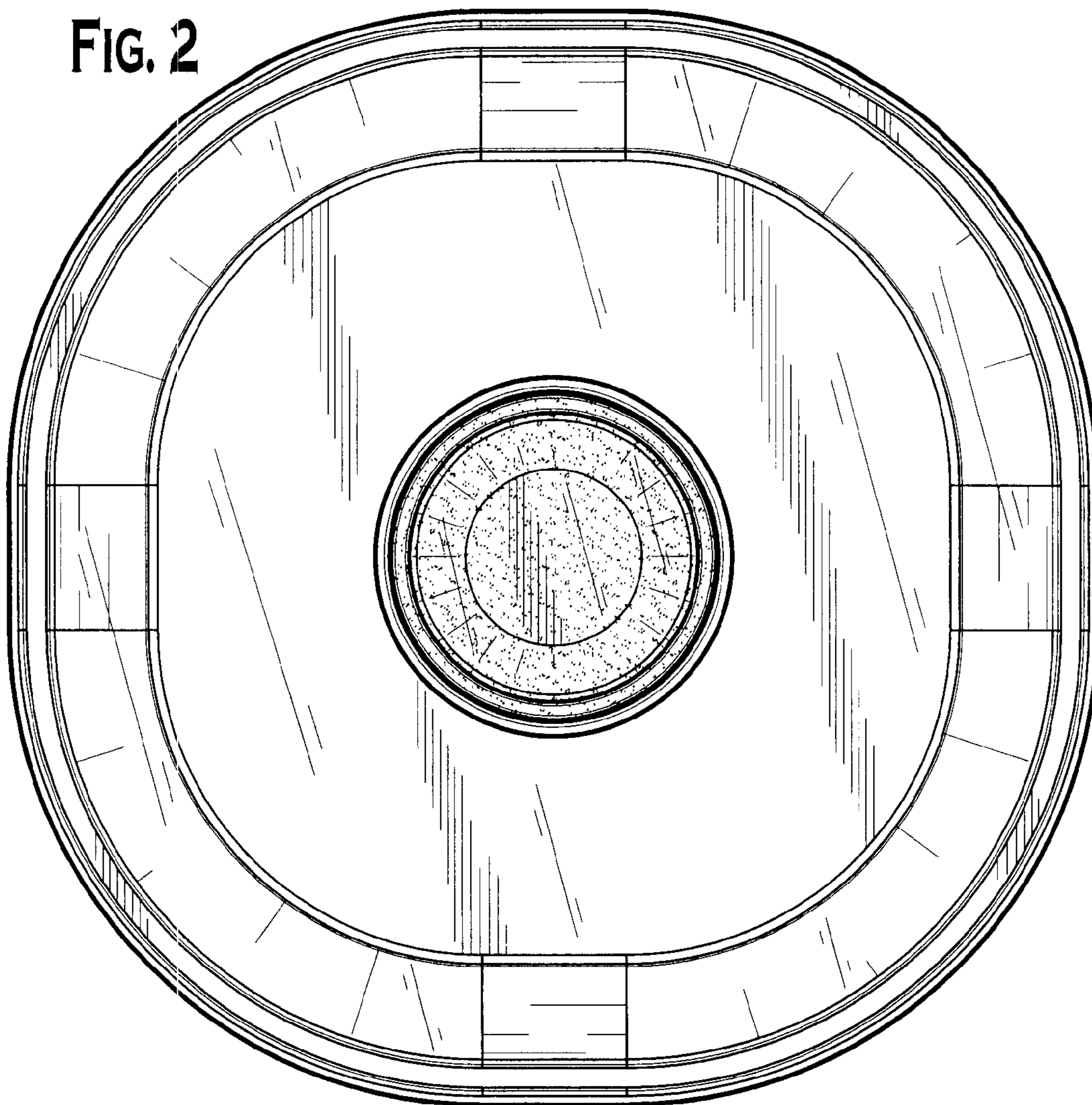
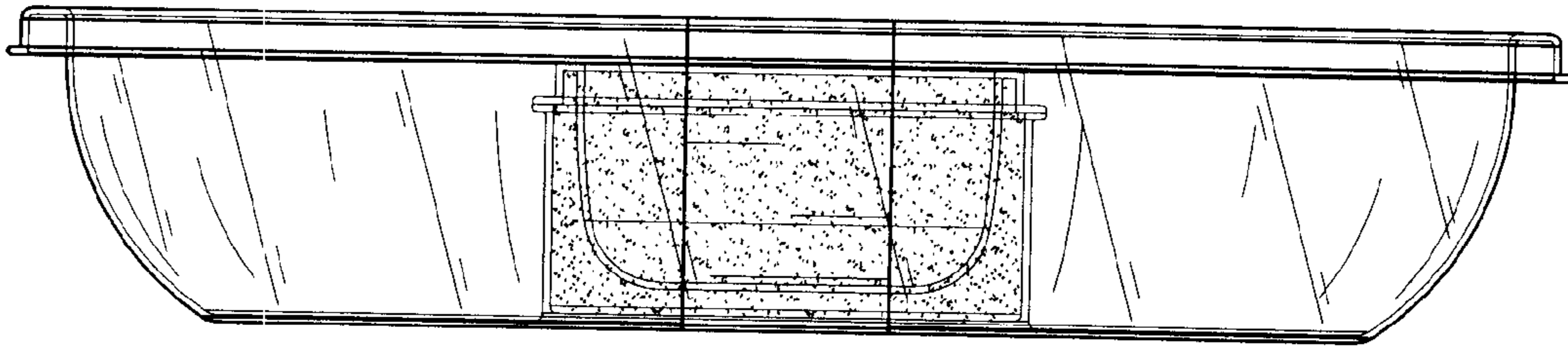


FIG. 2



**FIG. 3**



**FIG. 4**

