

US00D527951S

(12) **United States Design Patent**
Roth et al.

(10) **Patent No.: US D527,951 S**

(45) **Date of Patent: ** Sep. 12, 2006**

(54) **BOWL**

(76) Inventors: **Donna Roth**, 10 Cordage Park Cir.,
Suite 212, Plymouth, MA (US) 02360;
Henry Roth, 10 Cordage Park Cir.,
Suite 212, Plymouth, MA (US) 02360

(**) Term: **14 Years**

(21) Appl. No.: **29/211,946**

(22) Filed: **Aug. 24, 2004**

Related U.S. Application Data

(63) Continuation-in-part of application No. 29/210,681, filed on Aug. 4, 2004, and a continuation-in-part of application No. 29/210,423, filed on Jul. 30, 2004, and a continuation-in-part of application No. 29/210,422, filed on Jul. 30, 2004, and a continuation-in-part of application No. 29/210,287, filed on Jul. 29, 2004, and a continuation-in-part of application No. 29/209,746, filed on Jul. 21, 2004.

(51) **LOC (8) Cl. 07-01**

(52) **U.S. Cl. D7/540; D7/575; D7/584**

(58) **Field of Classification Search** D7/545,
D7/587, 553.3, 551.1, 586, 584, 553.6, 557,
D7/555, 505, 549, 629, 501; D30/130; D11/152,
D11/143; 426/132; 206/546; 220/574, 575,
220/23.6, 506; 249/139; D9/428, 425
See application file for complete search history.

(56) **References Cited**

U.S. PATENT DOCUMENTS

947,373	A	*	1/1910	Coleman	62/457.6
2,661,679	A	*	12/1953	Van Guilder	249/139
D195,046	S	*	4/1963	Swett	D7/505
D240,957	S	*	8/1976	Burke	D11/164
4,395,015	A	*	7/1983	Reardon	249/115
D285,157	S	*	8/1986	Wan	D7/501
D286,250	S	*	10/1986	Prescott	D7/557
D289,246	S	*	4/1987	Ritman	D7/584
D289,843	S	*	5/1987	Ritman	D7/584
D291,757	S	*	9/1987	Ritman	D7/584
D304,658	S	*	11/1989	Mattei	D7/505
D304,659	S	*	11/1989	Asner	D7/505

5,231,850	A		8/1993	Morris et al.		
D343,929	S	*	2/1994	Karapetian	D30/130
5,345,784	A		9/1994	Bazemore et al.		
D360,112	S	*	7/1995	McEntee	D7/584
D381,472	S	*	7/1997	Catalano et al.	D30/130
D384,554	S		10/1997	Ancona et al.		
5,869,120	A		2/1999	Blazevich		
D418,018	S	*	12/1999	Winsted	D7/553.8
6,022,571	A		2/2000	Blazevich		
6,044,650	A		4/2000	Cook et al.		
6,168,813	B1		1/2001	Blazevich		
D444,676	S	*	7/2001	Murphy	D7/553.6
6,318,114	B1		11/2001	Slaughter		
D452,146	S		12/2001	Lin		
D453,308	S	*	2/2002	McCauley	D11/152
6,474,494	B1		11/2002	Miller et al.		
6,514,548	B1		2/2003	Lin		
6,550,630	B1	*	4/2003	Krupa	220/575
D478,469	S		8/2003	Roth et al.		
6,601,403	B1		8/2003	Roth et al.		
D481,262	S	*	10/2003	Tisdale et al.	D7/586
D488,741	S	*	4/2004	Moya	D11/143
D489,972	S	*	5/2004	Lin	D7/553.6
D511,273	S	*	11/2005	Hadeler	D7/553.6
D516,867	S	*	3/2006	Martin et al.	D7/586

* cited by examiner

Primary Examiner—M. N. Pandozzi

(74) *Attorney, Agent, or Firm*—Garcia-Zamor IP Law; Ruy M. Garcia-Zamor

(57) **CLAIM**

The ornamental design for a bowl, as shown and described.

DESCRIPTION

FIG. 1 is a perspective view of a bowl showing our new design;
FIG. 2 is a top plan view of the bowl of FIG. 1;
FIG. 3 is a front elevational view of the bowl of FIG. 1, the rear elevational view of the bowl of FIG. 1 being the same, the left side elevational view of the bowl of FIG. 1 being the same, the right side elevational view of the bowl of FIG. 1 being the same; and,
FIG. 4 is a bottom plan view of the bowl of FIG. 1.

1 Claim, 2 Drawing Sheets

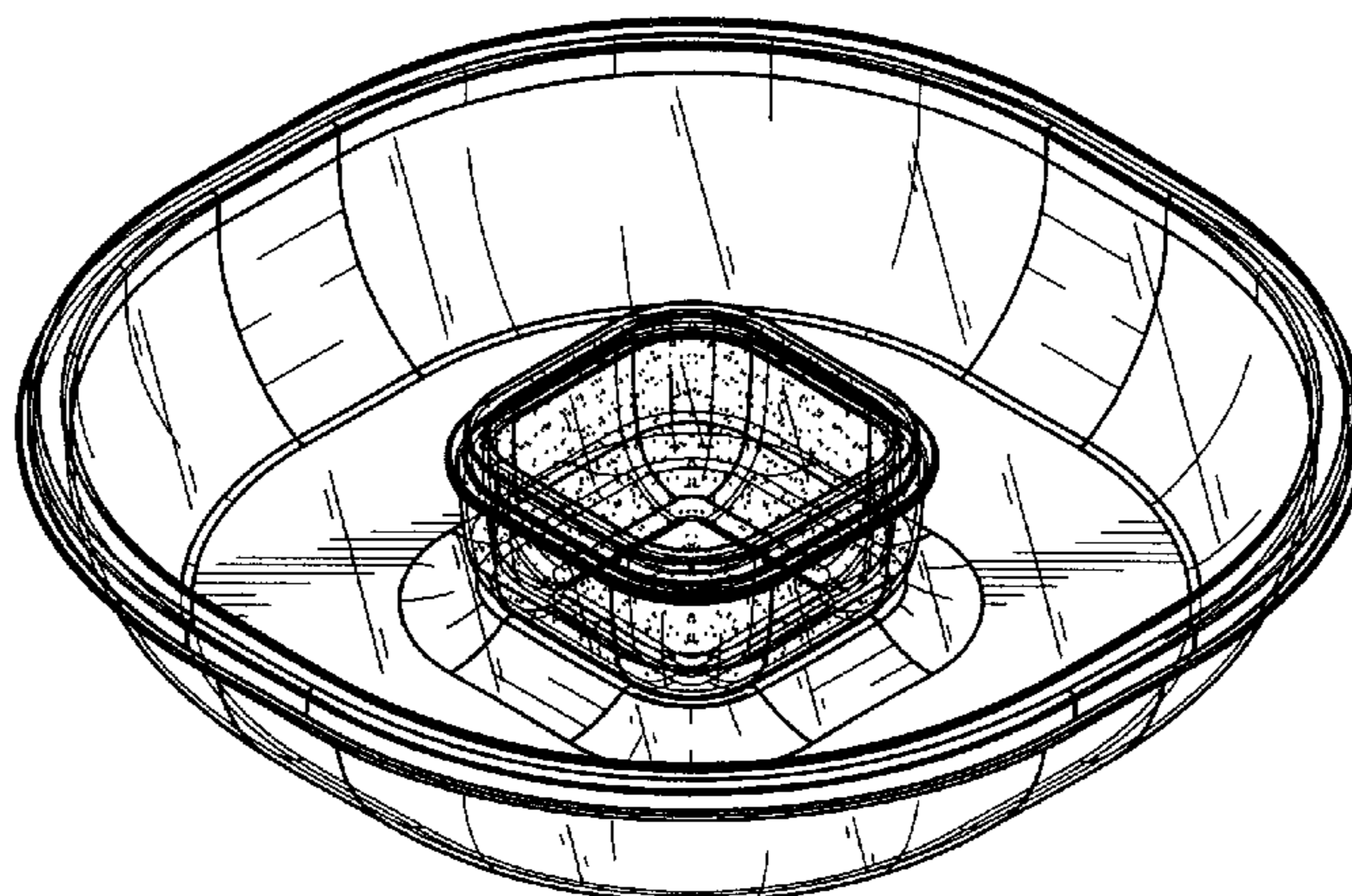


FIG. 1

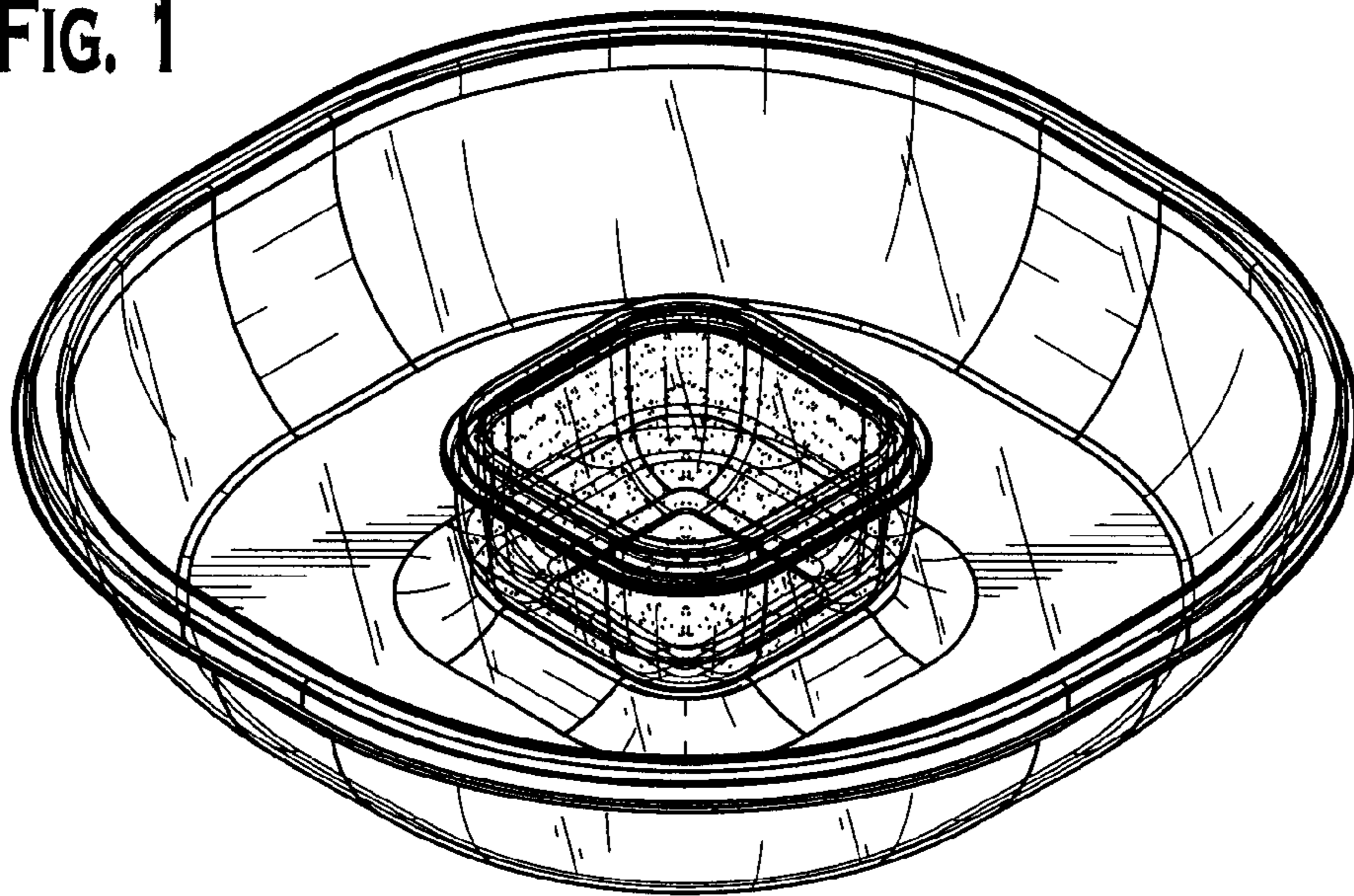


FIG. 2

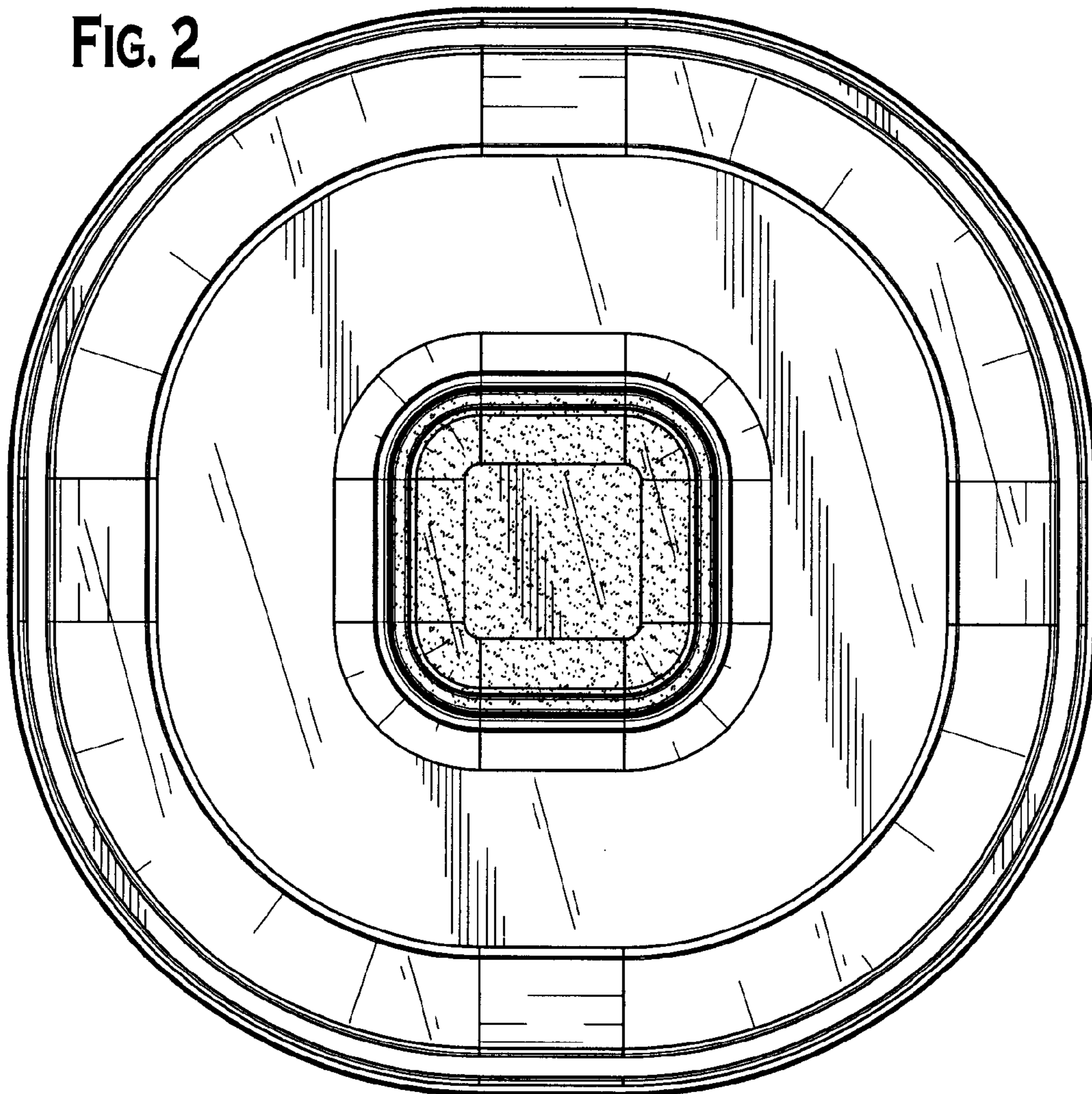


FIG. 3

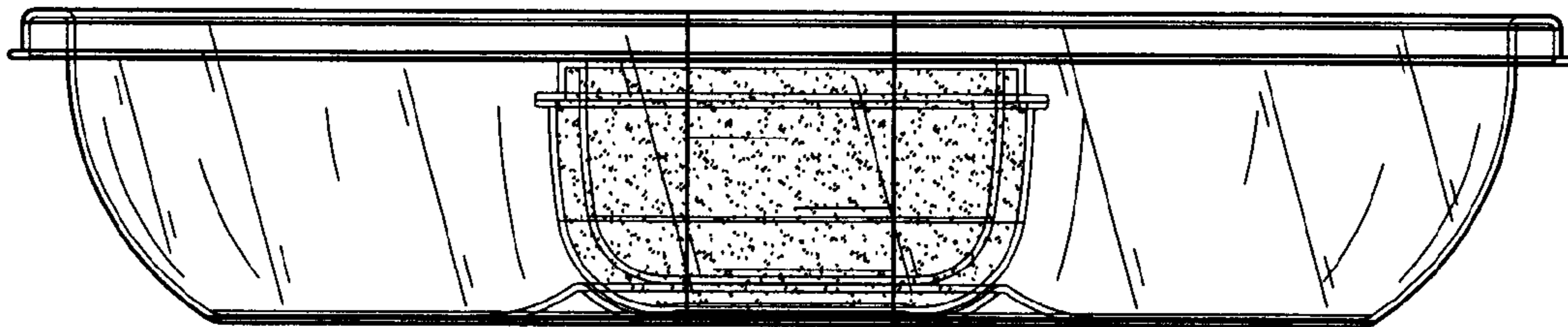


FIG. 4

