

US00D527947S

(12) **United States Design Patent**
Pai

(10) **Patent No.:** **US D527,947 S**

(45) **Date of Patent:** **** Sep. 12, 2006**

(54) **BARBECUE GRILL LID**

(76) Inventor: **Lucas Pai**, 19F.-1, No. 159, Sec. 1,
Chung-Kang Rd., West Dist., Taichung
City (TW)

(**) Term: **14 Years**

(21) Appl. No.: **29/223,359**

(22) Filed: **Feb. 14, 2005**

(51) **LOC (8) Cl.** **07-02**

(52) **U.S. Cl.** **D7/402**

(58) **Field of Classification Search** D7/332,
D7/334-337, 402-405; 126/25 R, 25 A,
126/25 AA, 25 B, 29-30, 41 R, 38, 37 R,
126/9 R, 40, 50, 304 R, 305; 99/419, 421 R,
99/444, 450; 312/140.1, 140.3, 236; 248/129;
108/44, 519

See application file for complete search history.

(56) **References Cited**

U.S. PATENT DOCUMENTS

D470,719 S * 2/2003 Pai D7/402

D491,414 S * 6/2004 Nichols et al. D7/402
D494,009 S * 8/2004 Joss et al. D7/402
D494,413 S * 8/2004 Joss et al. D7/402
D497,284 S * 10/2004 Pai D7/402
D504,048 S * 4/2005 Joss et al. D7/402

* cited by examiner

Primary Examiner—Ruth McInroy

(74) *Attorney, Agent, or Firm*—Egbert Law Offices

(57) **CLAIM**

I claim the ornamental design for a barbecue grill lid, as shown and described.

DESCRIPTION

FIG. 1 is an upper perspective view of the barbecue grill lid showing my design.

FIG. 2 is a front view thereof;

FIG. 3 is a back view thereof;

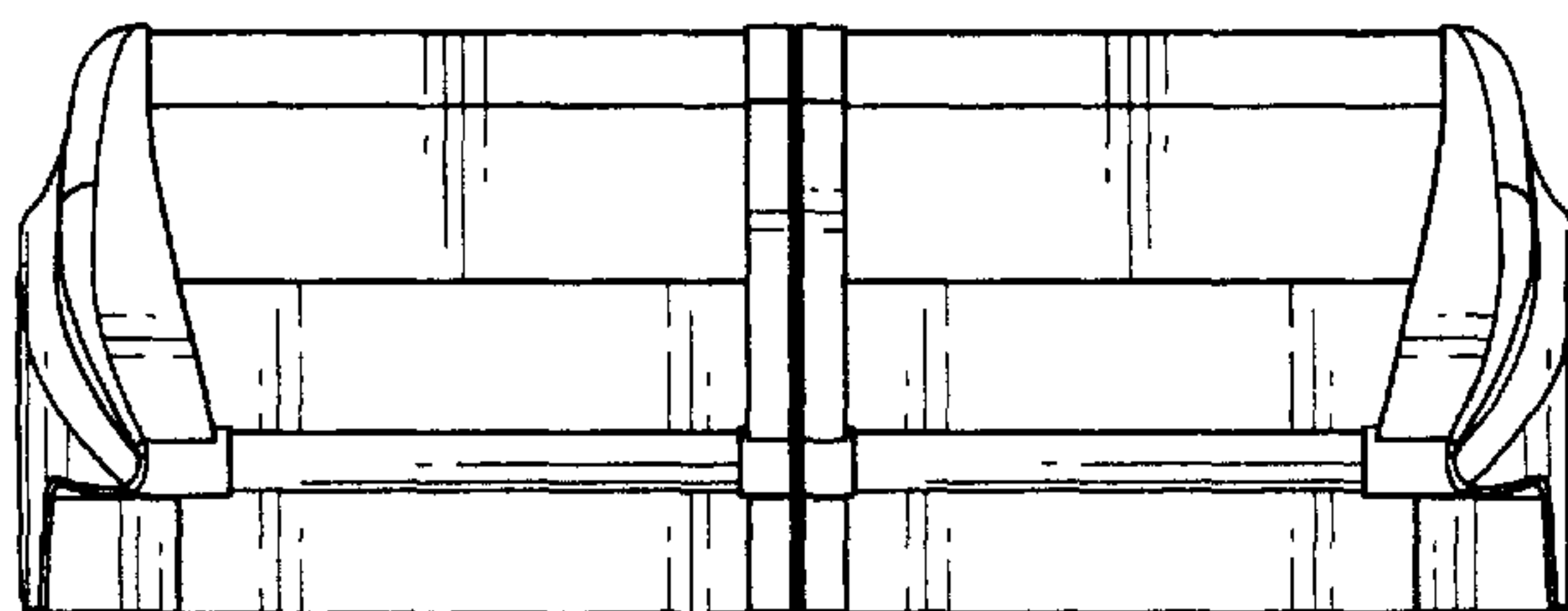
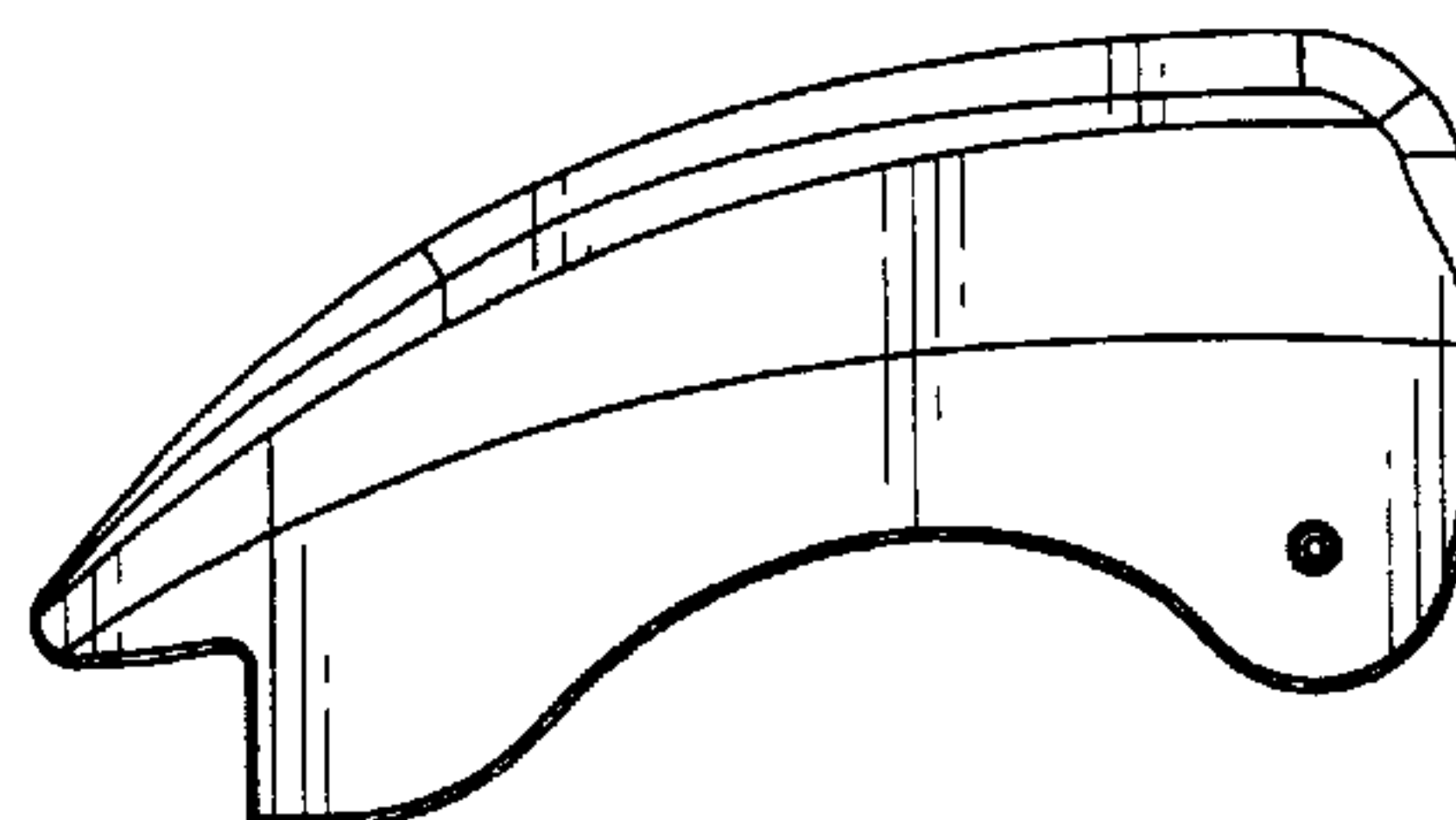
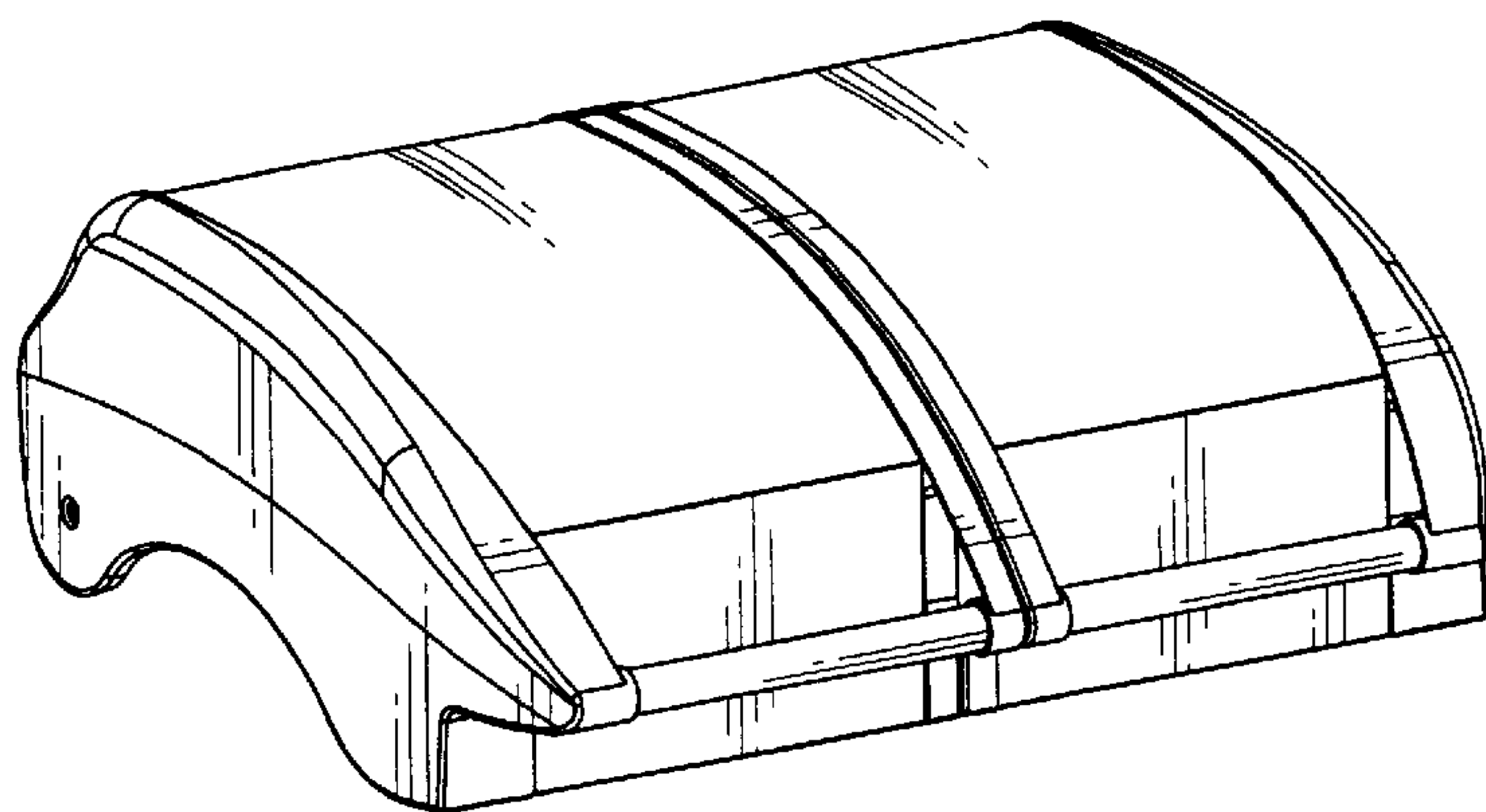
FIG. 4 is a side view thereof;

FIG. 5 is an opposite side view thereof;

FIG. 6 is a top view thereof; and,

FIG. 7 is a bottom view thereof.

1 Claim, 4 Drawing Sheets



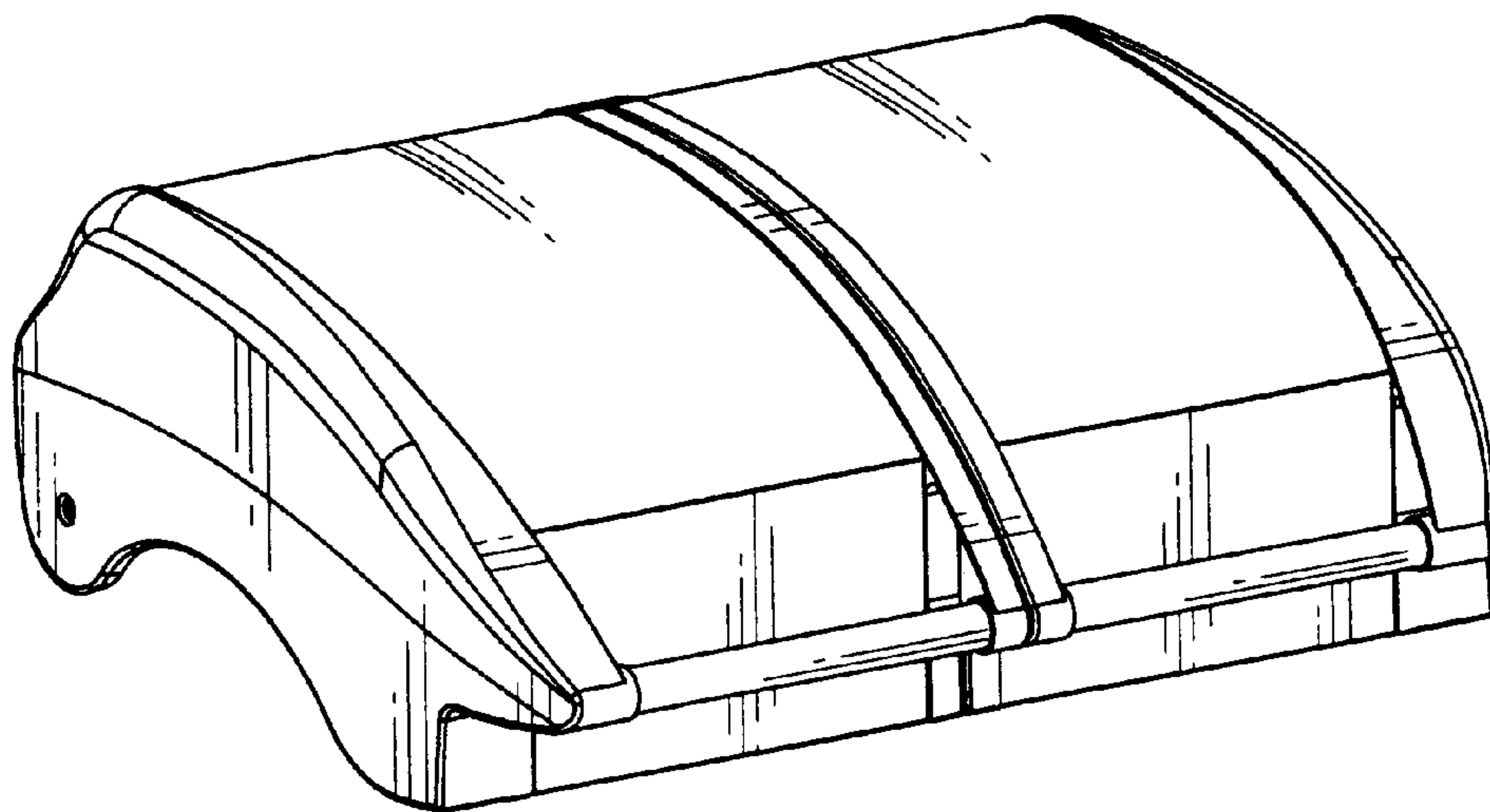


FIG.1

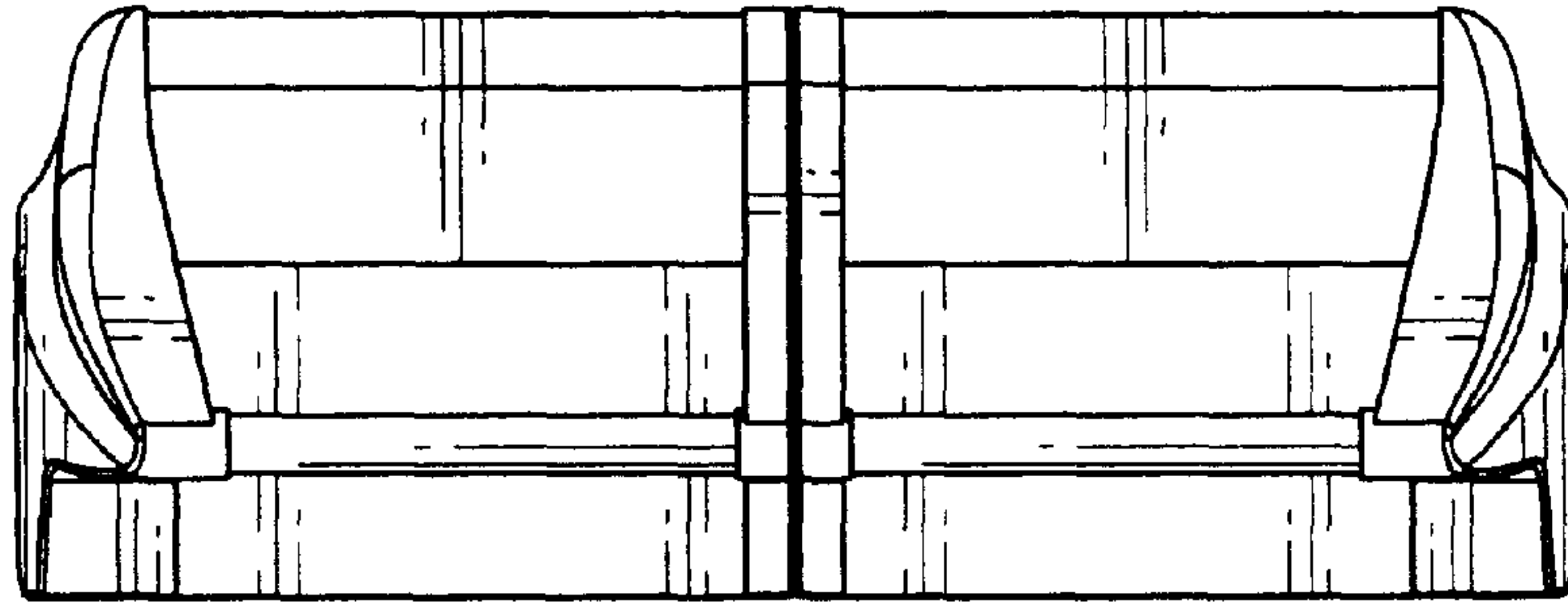


FIG. 2

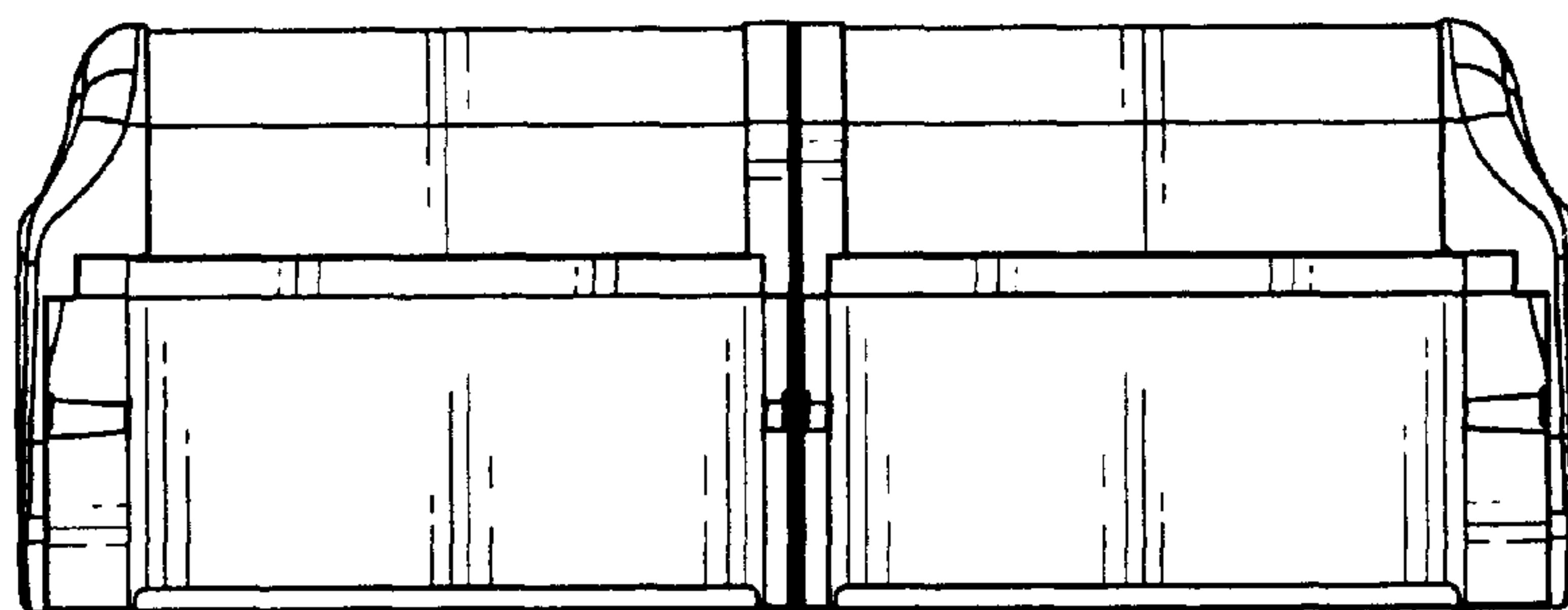


FIG. 3

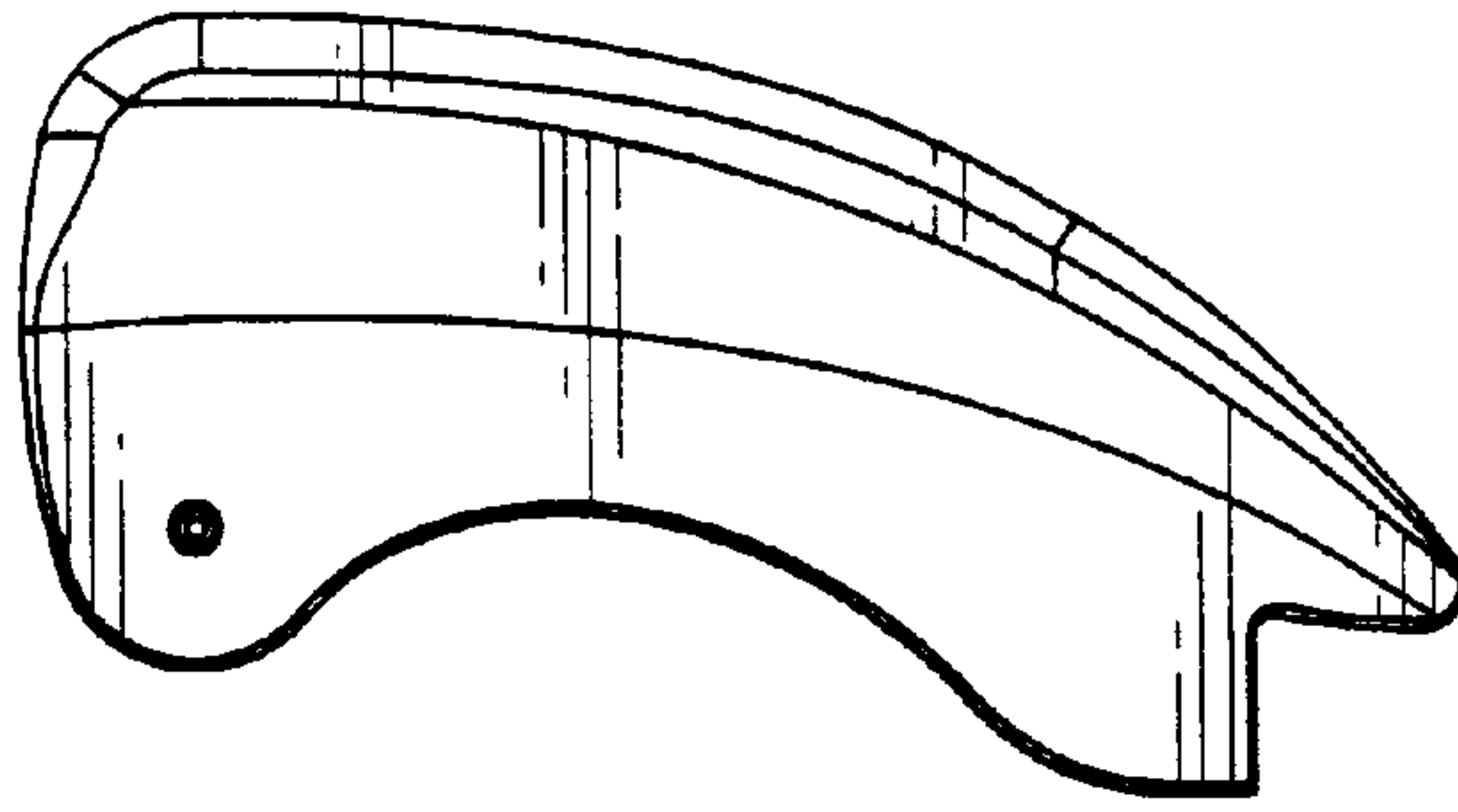


FIG. 4

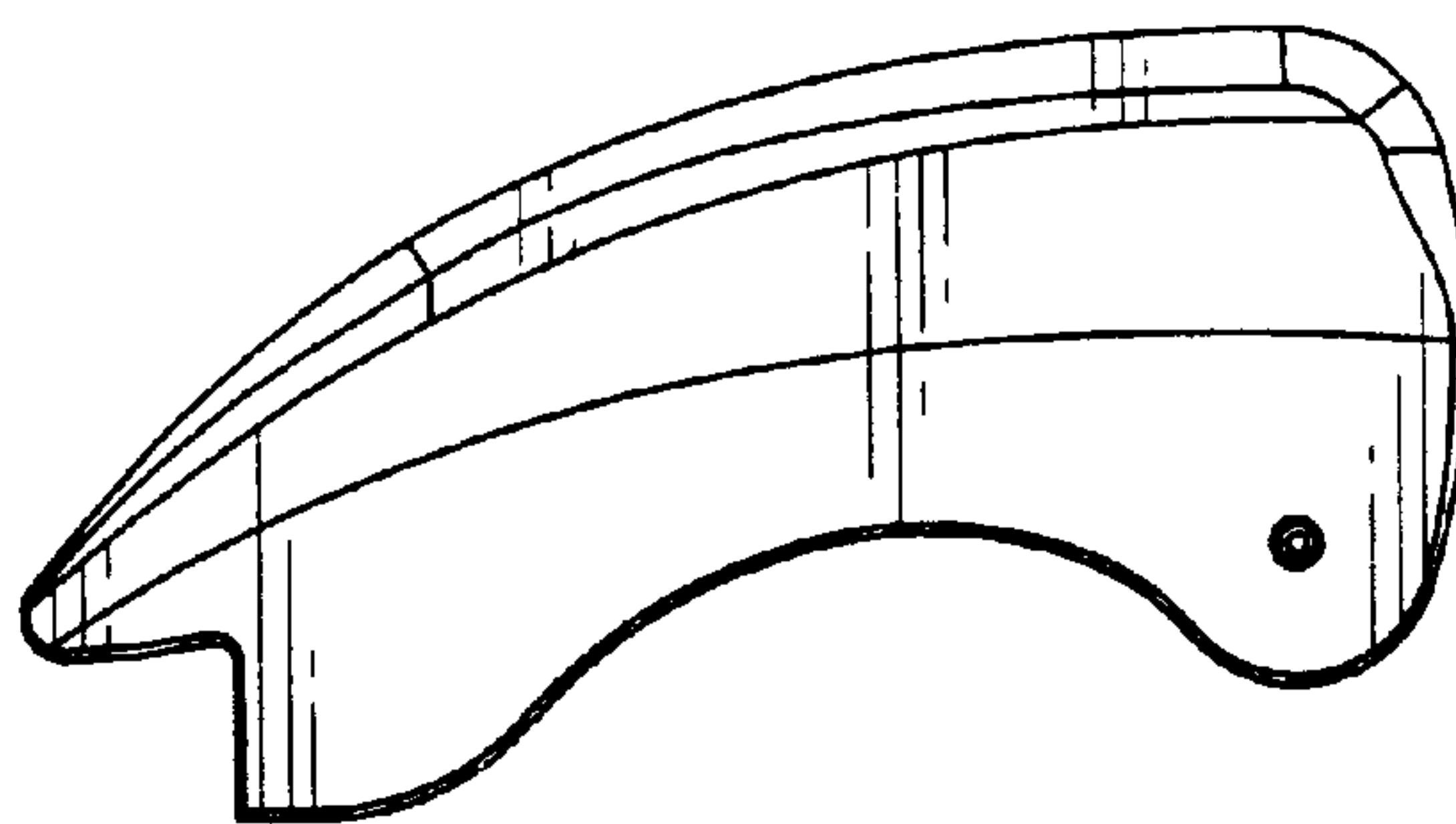


FIG. 5

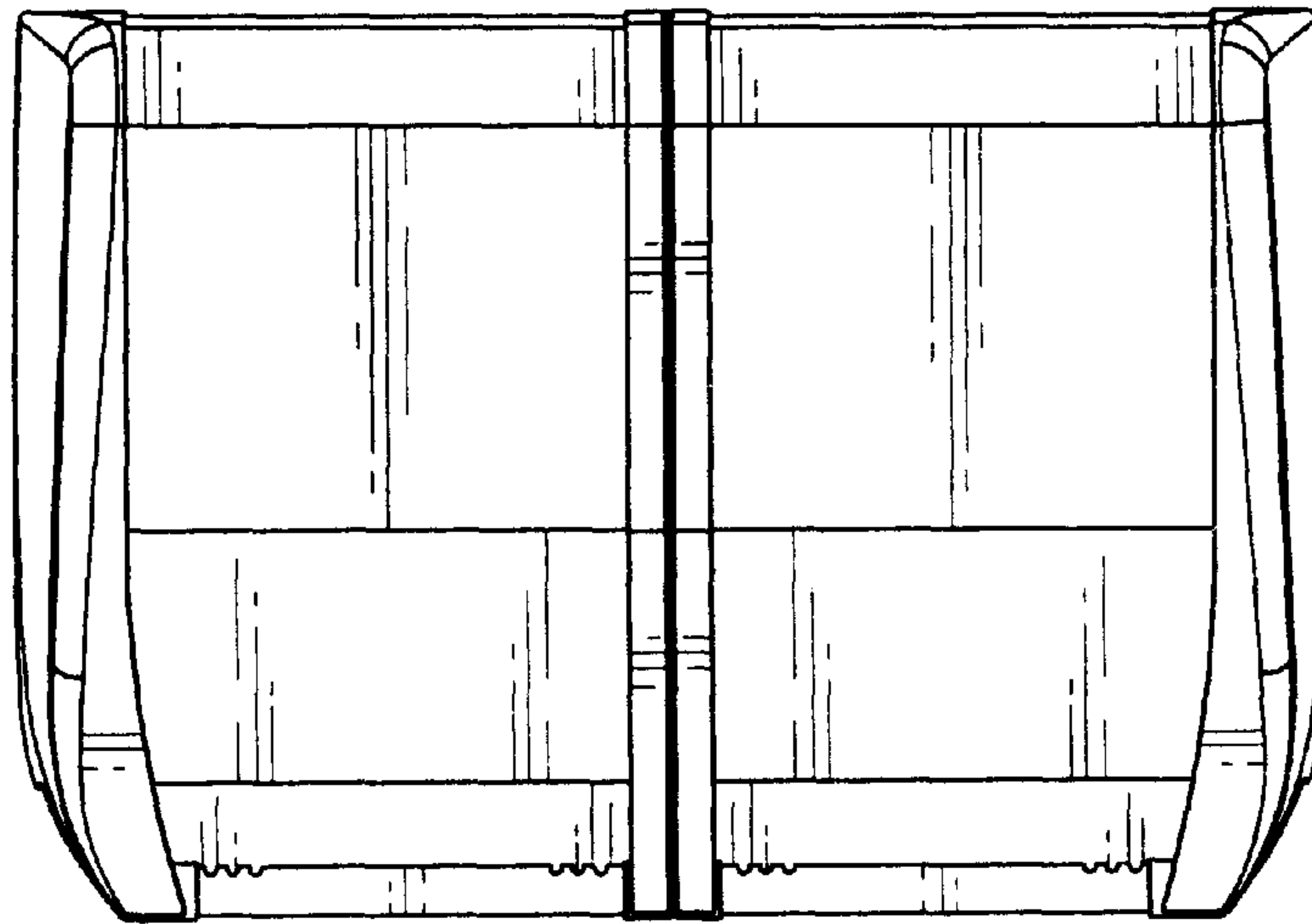


FIG. 6

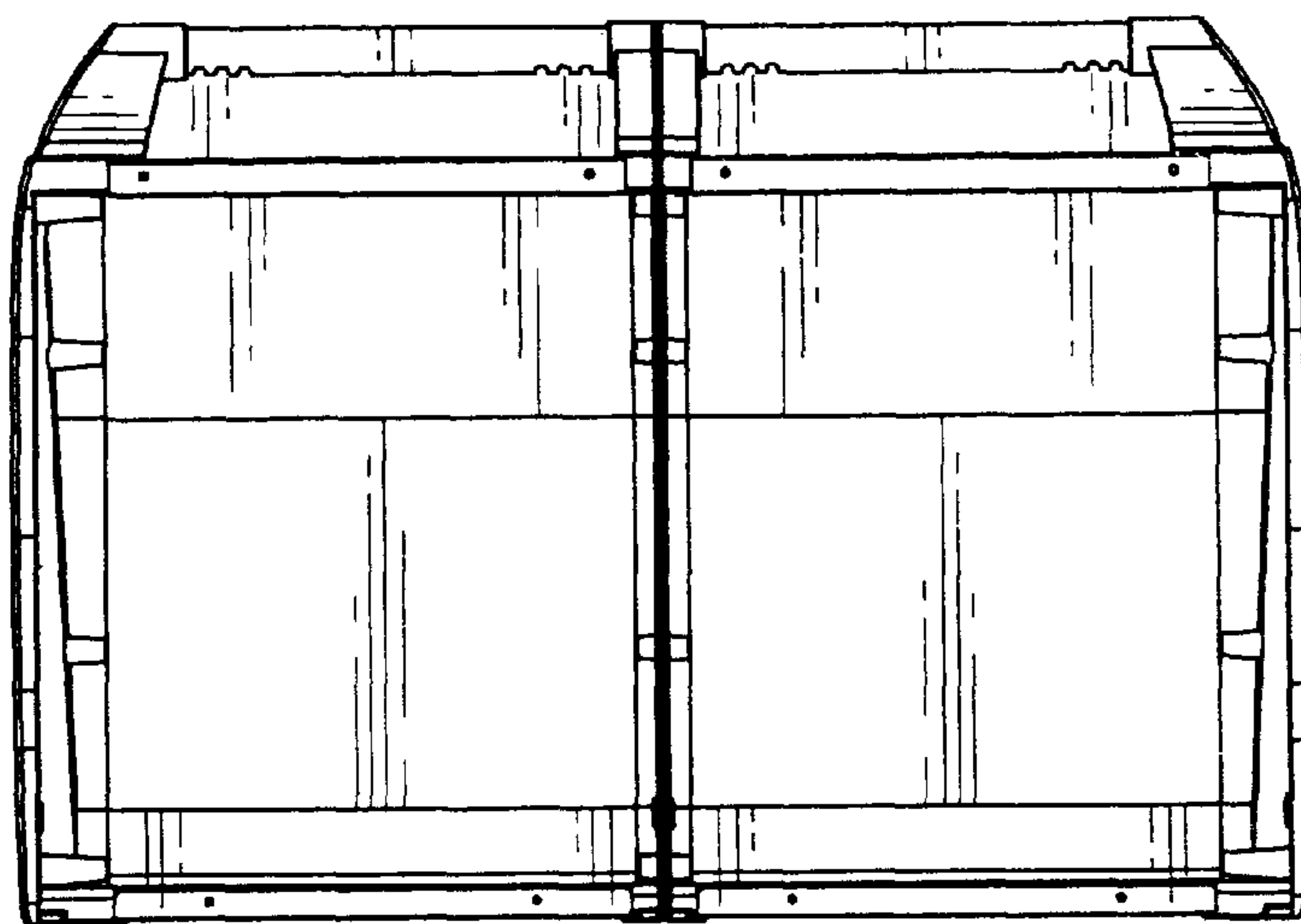


FIG. 7