



US00D527943S

(12) **United States Design Patent**
Feil

(10) **Patent No.:** **US D527,943 S**

(45) **Date of Patent:** **** Sep. 12, 2006**

(54) **FOOD PROCESSOR**

(75) Inventor: **Rolf Feil**, Gunzburg (DE)

(73) Assignee: **BSH Bosch und Siemens Hausgeraete GmbH**, Munich (DE)

(**) Term: **14 Years**

(21) Appl. No.: **29/217,298**

(22) Filed: **Nov. 15, 2004**

(30) **Foreign Application Priority Data**

May 14, 2004 (EM) 000174768

(51) **LOC (8) Cl.** **31-00**

(52) **U.S. Cl.** **D7/384**

(58) **Field of Classification Search** D7/376-386,
D7/412-414, 665; D9/339, 432; 99/331,
99/337, 348, 492, 509-511; 215/222; 241/30,
241/33, 37.5, 101.01, 101.1, 101.2, 166-169,
241/282.1, 282.2, 291, 292.1; 312/138.1,
312/293.1, 293.2, 293.3, 326, 327; 366/64-67,
366/98-100, 129, 130, 146, 192, 197-201,
366/205-207, 214, 219-221, 241-254, 279-282,
366/318, 325.3, 325.92, 325.93, 325.94,
366/327.2, 328.2, 329.1, 330.1, 330.2, 330.3,
366/330.4, 330.5, 341-343, 347
See application file for complete search history.

(56) **References Cited**

U.S. PATENT DOCUMENTS

D189,936 S	*	3/1961	Grange	D7/379
3,224,743 A	*	12/1965	Freedman et al.	366/200
D255,757 S	*	7/1980	Feil	D7/386
D265,166 S	*	6/1982	Ernest et al.	D7/386
D279,858 S	*	7/1985	Janssens	D7/412
D282,902 S	*	3/1986	Rawson et al.	D8/34
D284,633 S	*	7/1986	Viancin	D7/379
D285,404 S	*	9/1986	Wang	D7/377
D286,258 S	*	10/1986	Grange	D7/379
D291,271 S	*	8/1987	Wilson	D7/379
D294,448 S	*	3/1988	Otto	D7/368
4,900,160 A	*	2/1990	Brooks et al.	366/347

D314,883 S	*	2/1991	Naft	D7/379
D315,473 S	*	3/1991	Copland	D7/379
D344,208 S	*	2/1994	Musseau	D7/376
D366,182 S	*	1/1996	Hsieh	D7/376
D372,162 S	*	7/1996	Ivy	D7/379
D384,548 S	*	10/1997	Hsieh	D7/376
D387,245 S	*	12/1997	Hippen et al.	D7/379
D387,610 S	*	12/1997	Hippen et al.	D7/379
D388,447 S	*	12/1997	Otto	D15/147
D414,785 S	*	10/1999	Norris	D15/82
D416,752 S	*	11/1999	Leverrier	D7/379
6,435,708 B1	*	8/2002	Huang	366/347
D470,717 S	*	2/2003	Kaiser	D7/379
D473,420 S	*	4/2003	Lo et al.	D7/376

* cited by examiner

Primary Examiner—Janice E. Seeger

Assistant Examiner—Ricky Pham

(74) *Attorney, Agent, or Firm*—John T. Winburn; Russell W. Warnock; Craig J. Loest

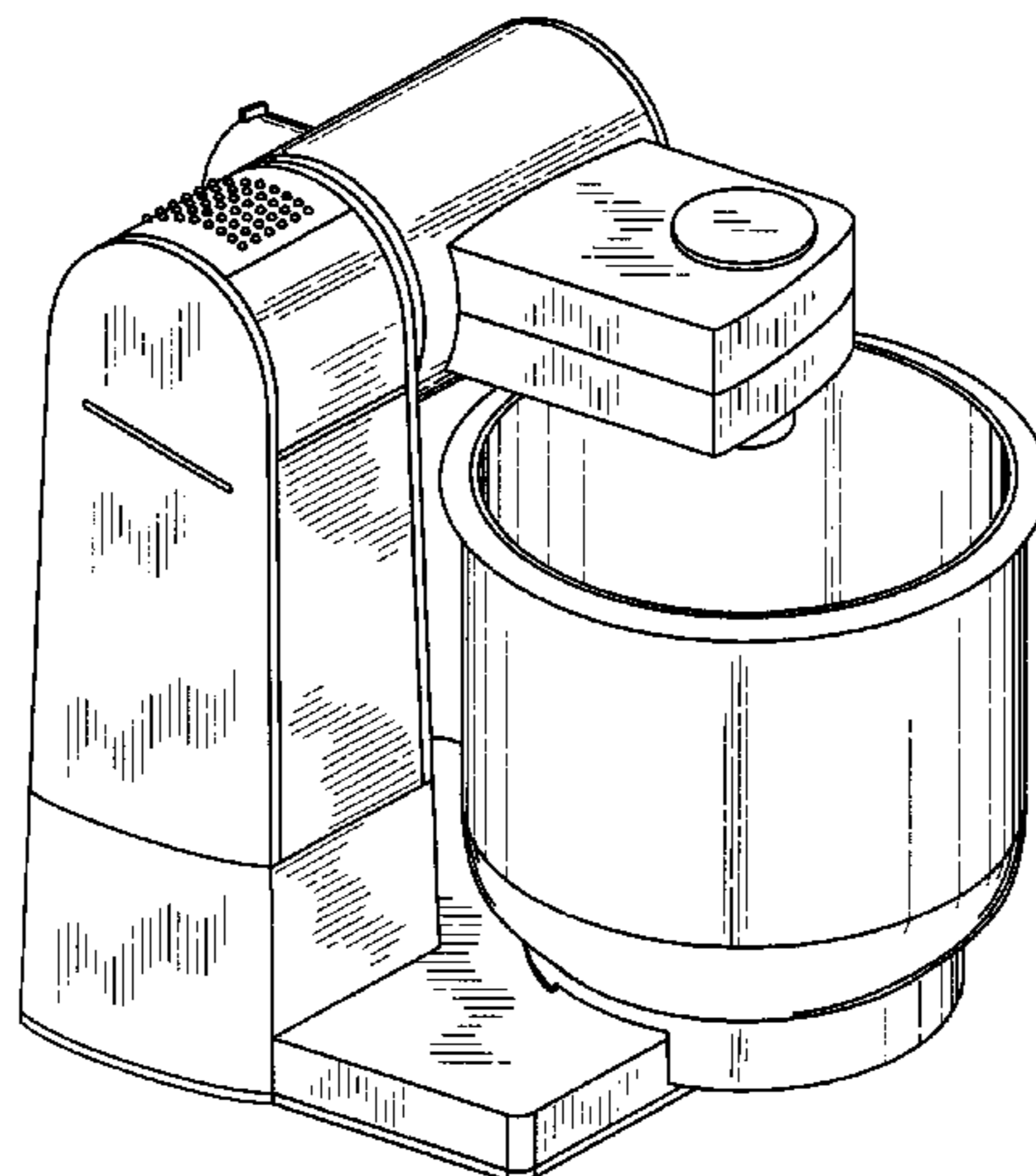
(57) **CLAIM**

The ornamental design for a food processor, as shown and described.

DESCRIPTION

FIG. 1 is a perspective view of a food processor showing my ornamental design;
FIG. 2 is a bottom perspective view of the food processor embodiment shown in FIG. 1;
FIG. 3 is a left side view of the food processor embodiment shown in FIG. 1;
FIG. 4 is a front side view of the food processor embodiment shown in FIG. 1;
FIG. 5 is a right side view of the food processor embodiment shown in FIG. 1;
FIG. 6 is a back side view of the food processor embodiment shown in FIG. 1;
FIG. 7 is a top plan view of the food processor embodiment shown in FIG. 1; and,
FIG. 8 is a bottom plan view of the food processor embodiment shown in FIG. 1.

1 Claim, 8 Drawing Sheets



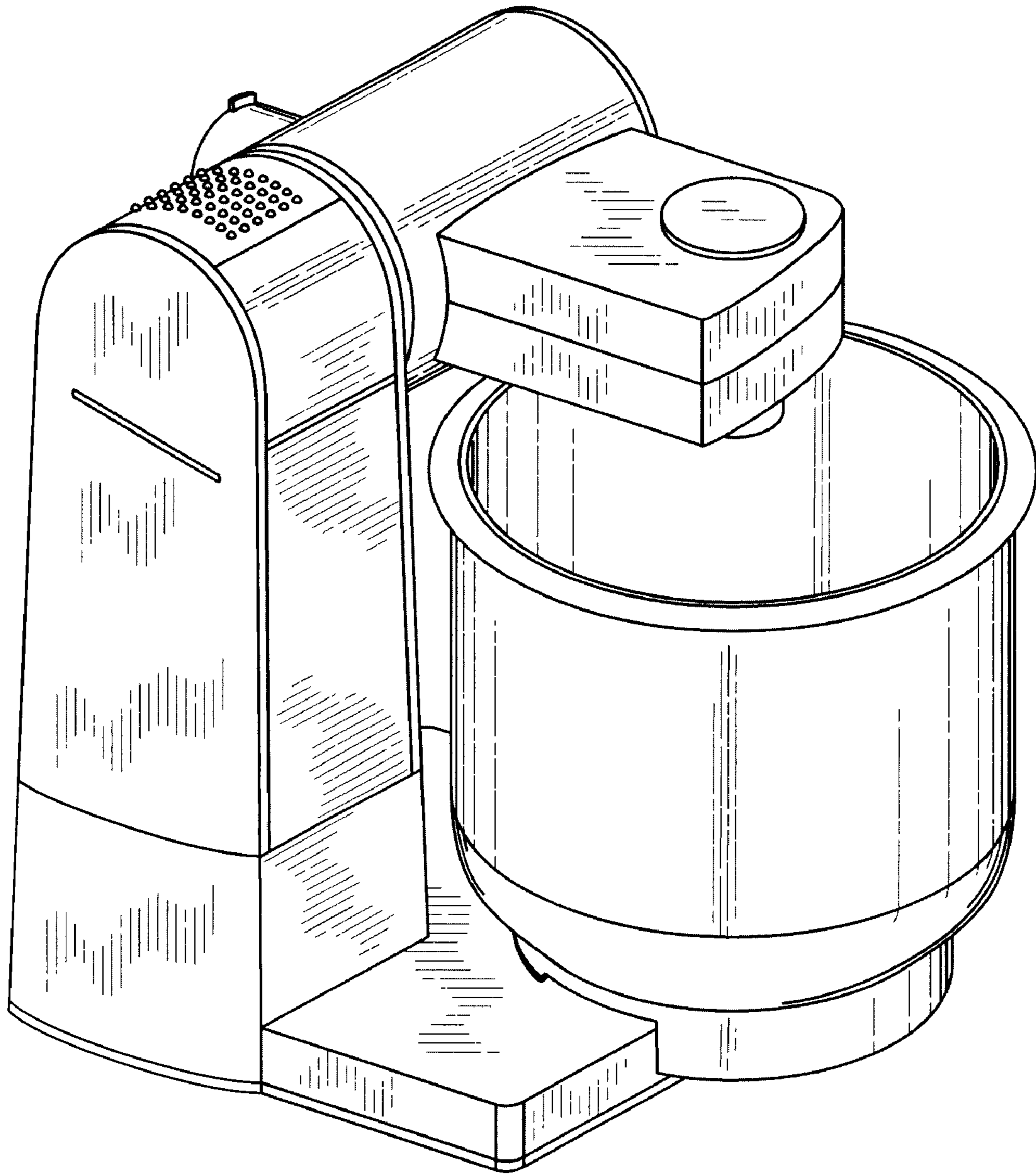


FIG. 1

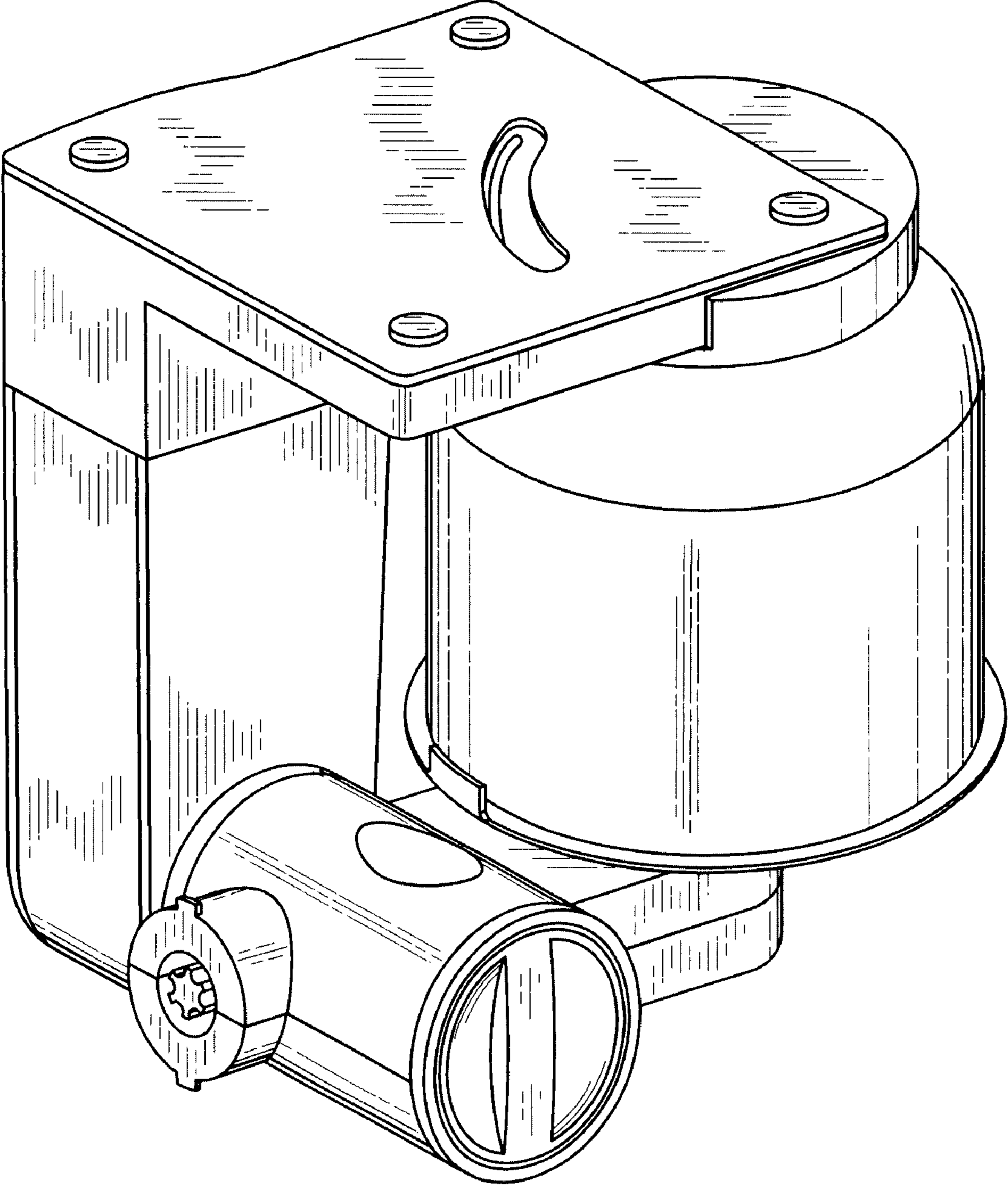


FIG. 2

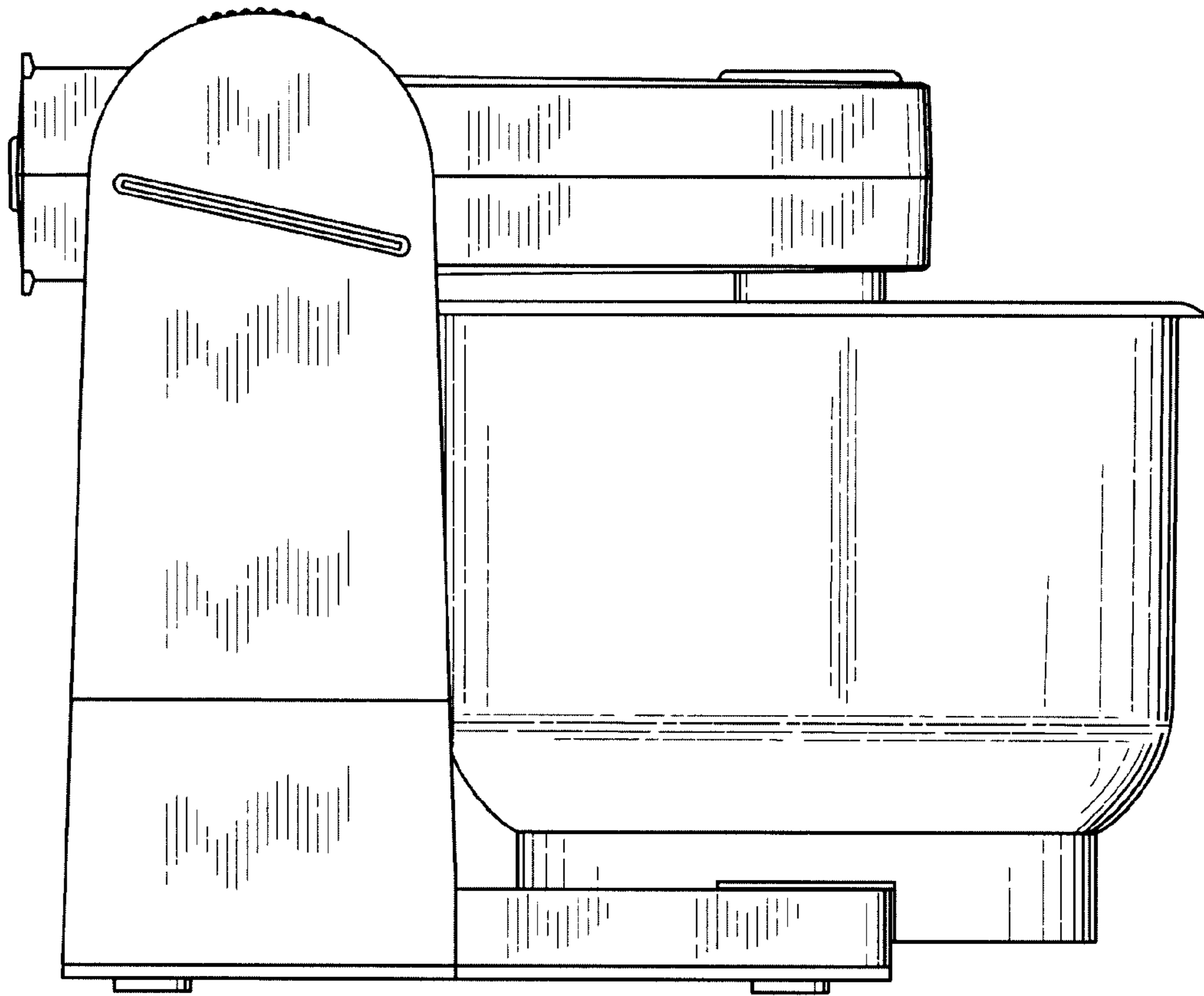


FIG. 3

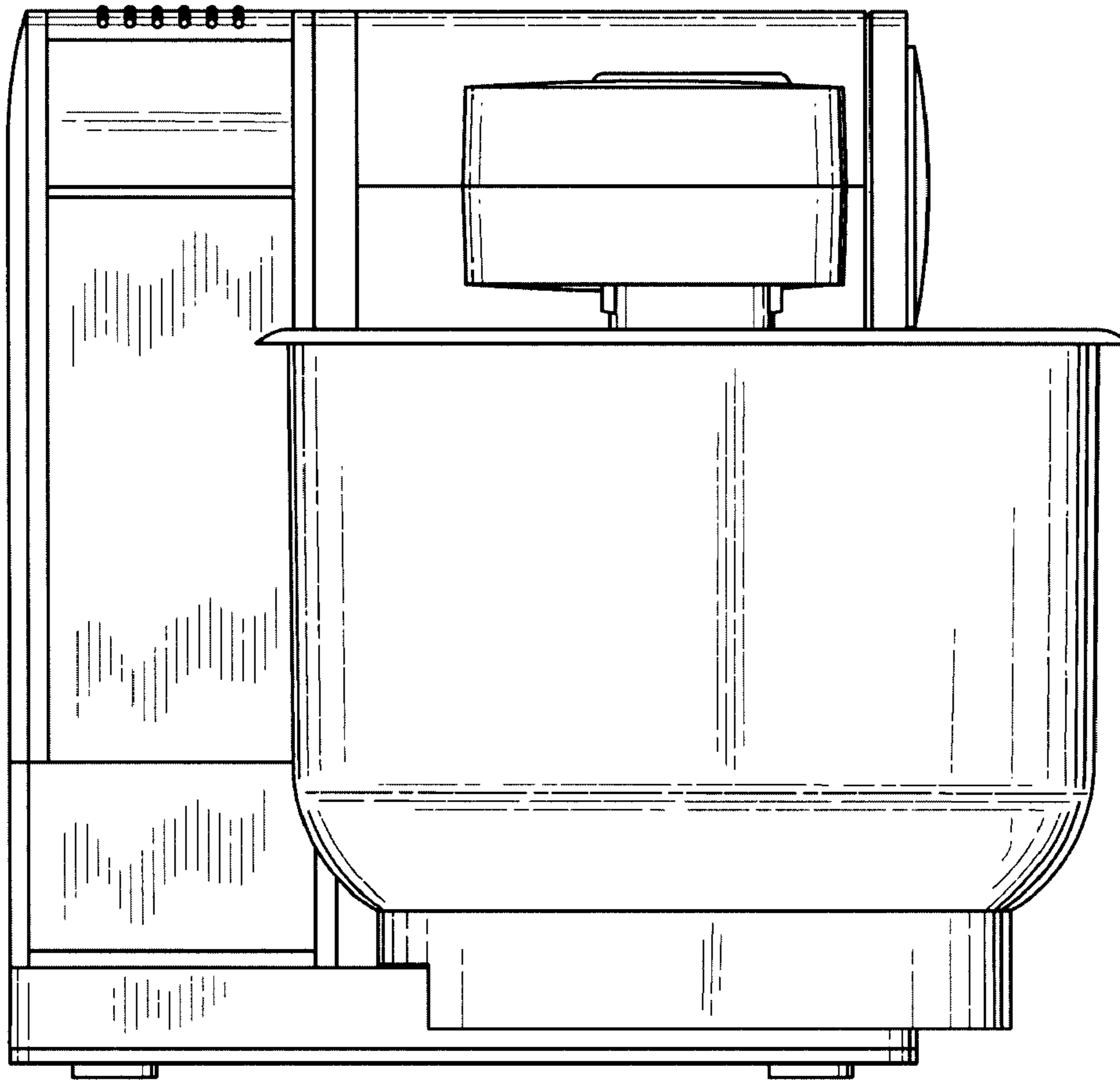


FIG. 4

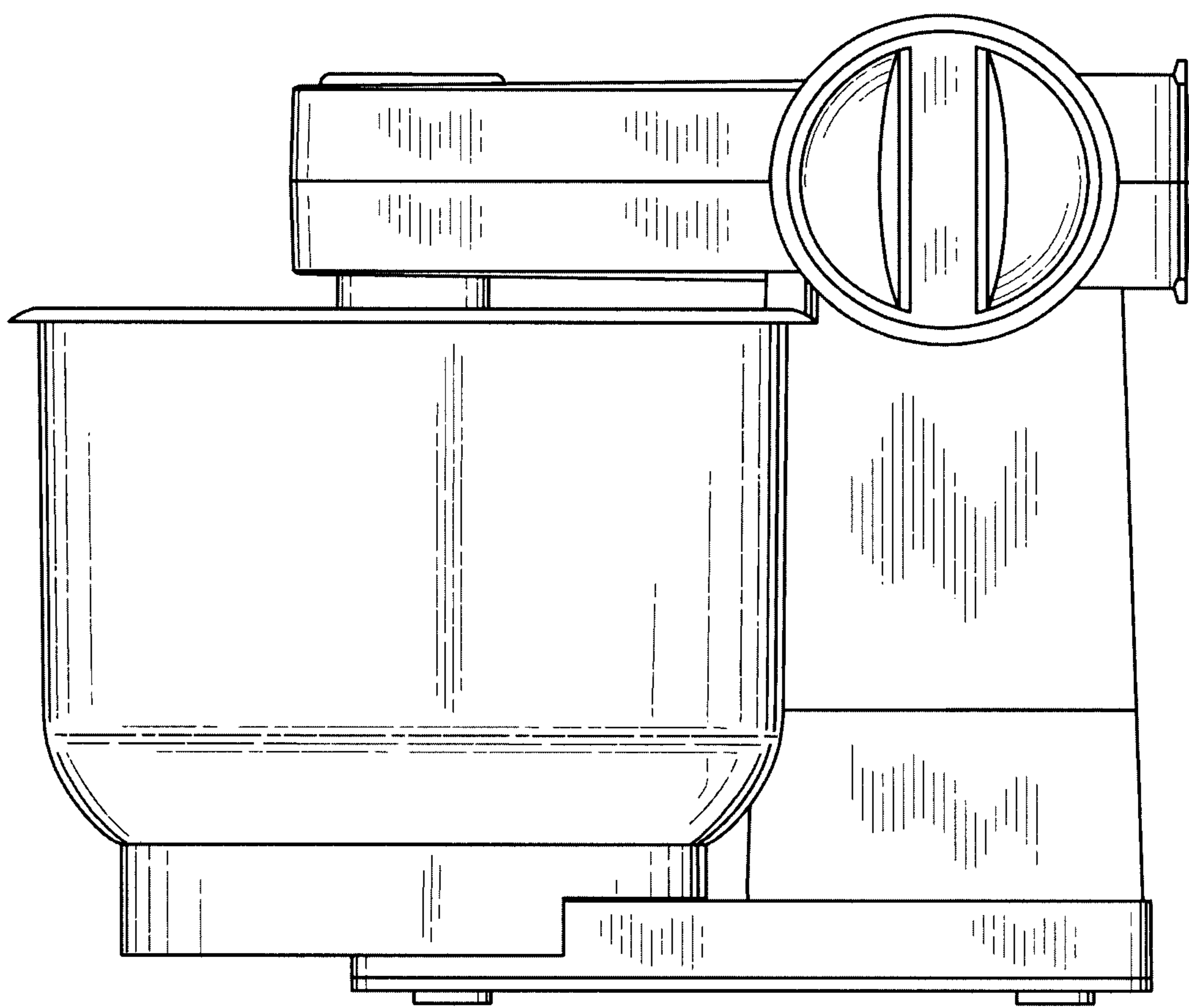


FIG. 5

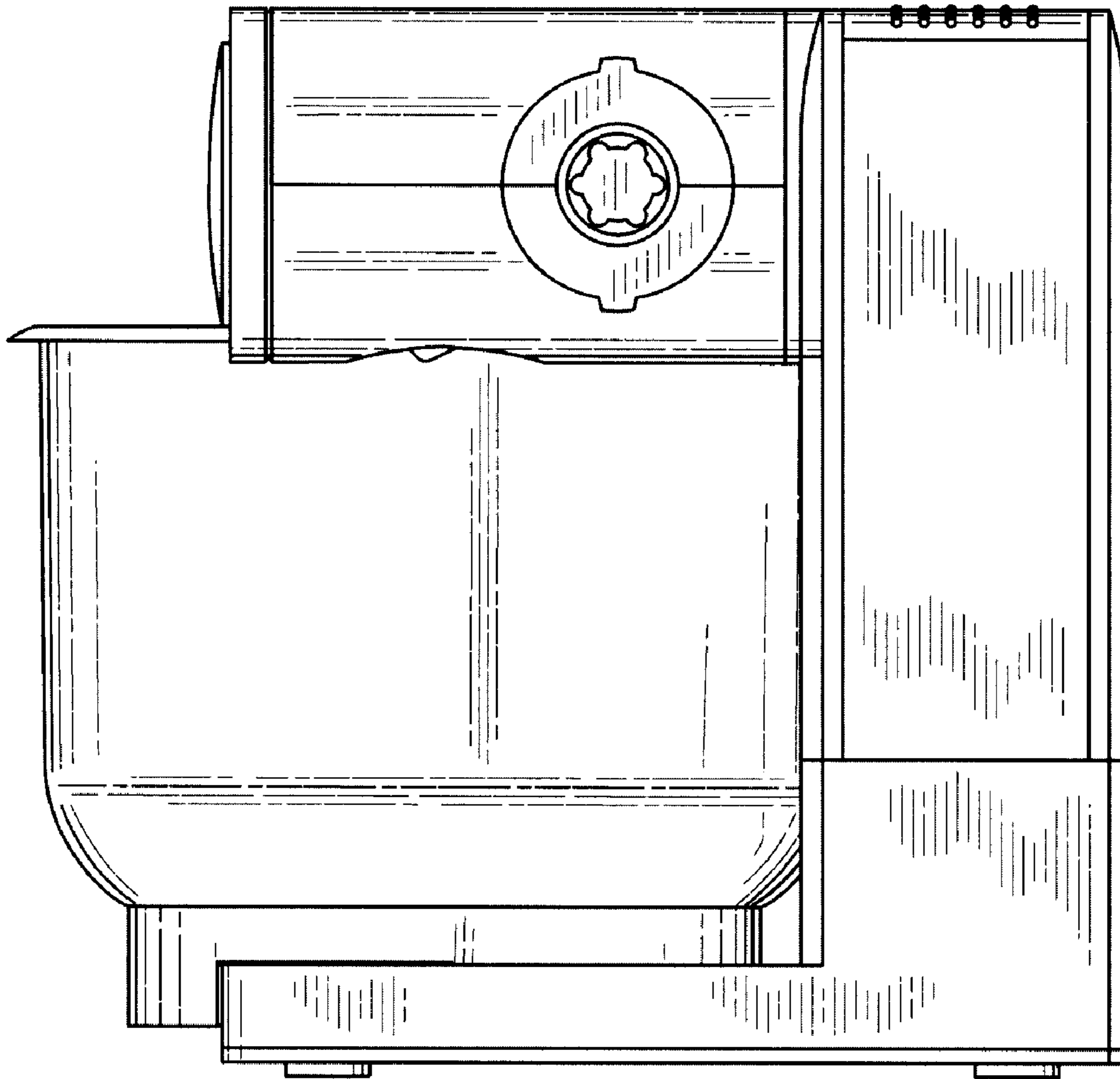


FIG. 6

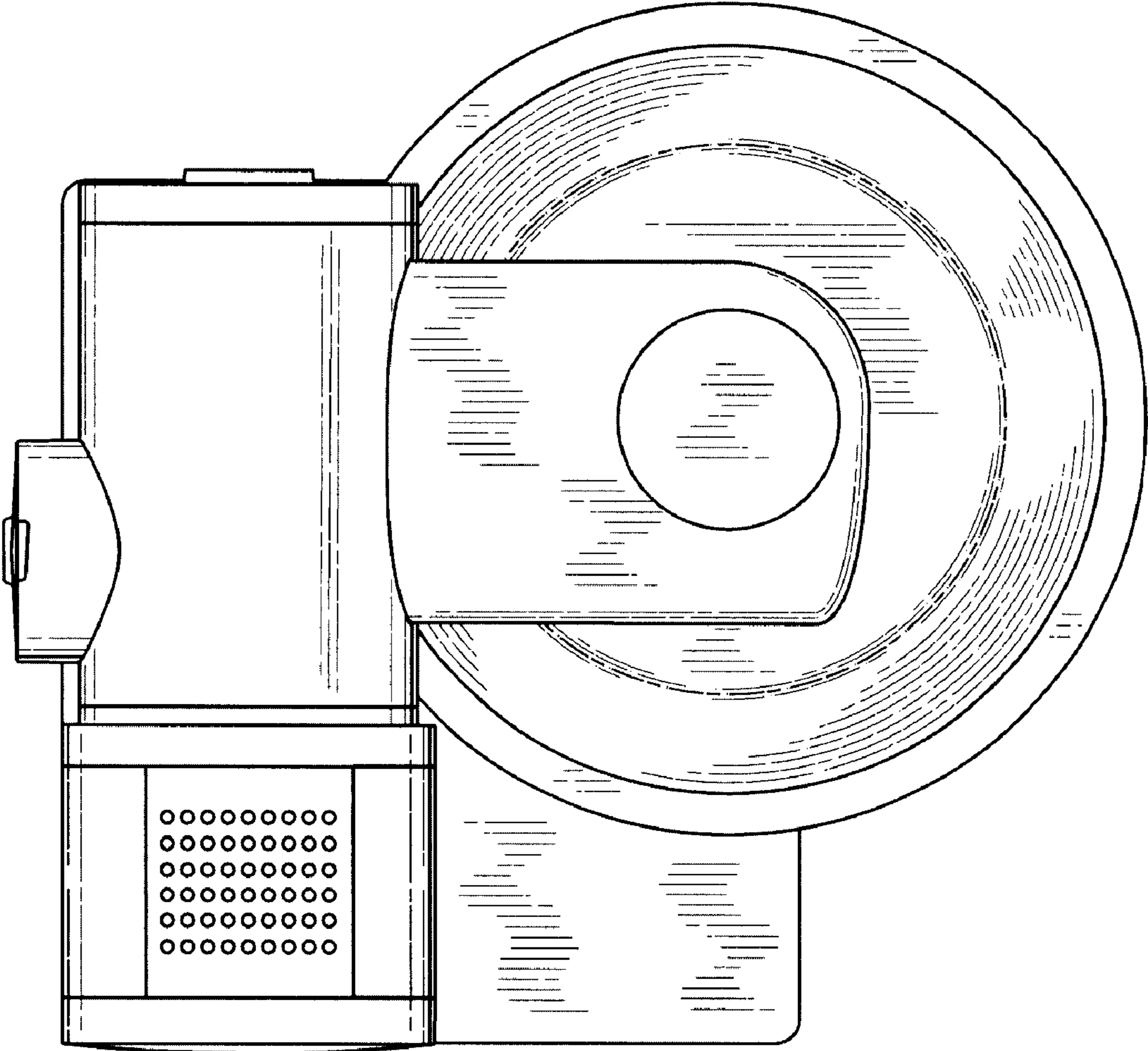


FIG. 7

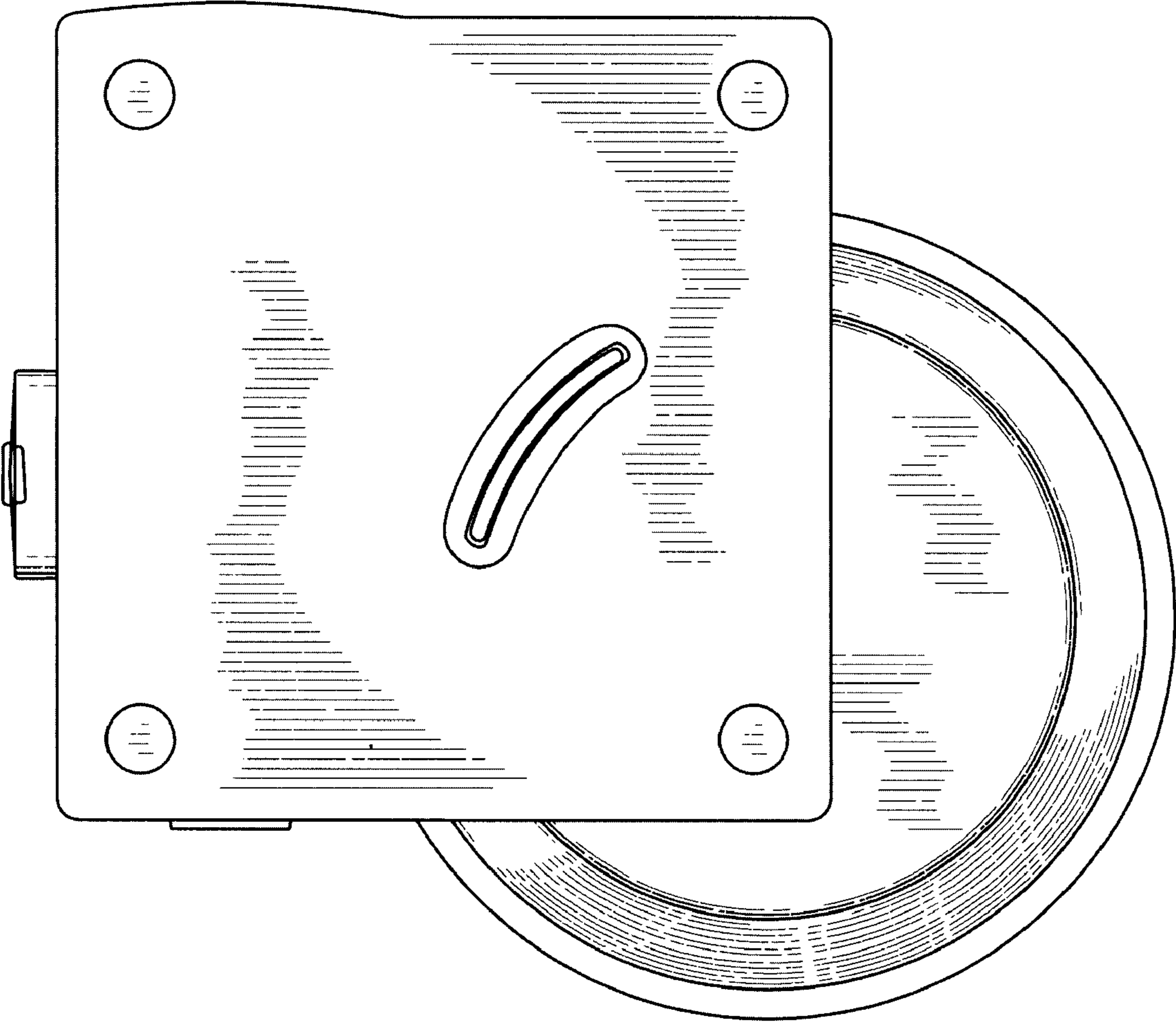


FIG. 8