



US00D527938S

(12) **United States Design Patent**  
**Dandrea**

(10) **Patent No.:** **US D527,938 S**

(45) **Date of Patent:** **\*\* Sep. 12, 2006**

(54) **CHAISE COVER DEVICE**

(76) **Inventor:** **Robert Dandrea**, 3370 NE. 190<sup>th</sup> St.,  
Suite 713, Aventura, FL (US) 33180

(\*\*) **Term:** **14 Years**

(21) **Appl. No.:** **29/216,061**

(22) **Filed:** **Oct. 27, 2004**

(51) **LOC (8) Cl.** ..... **06-13**

(52) **U.S. Cl.** ..... **D6/611**

(58) **Field of Classification Search** ..... D6/603,  
D6/610-613, 616, 617, 621, 625, 595, 597;  
297/184.1, 184.13, 184.15, 229; 150/154,  
150/158

See application file for complete search history.

(56) **References Cited**

**U.S. PATENT DOCUMENTS**

|           |   |   |         |                |       |         |
|-----------|---|---|---------|----------------|-------|---------|
| D286,486  | S | * | 11/1986 | Goble et al.   | ..... | D6/611  |
| 4,725,094 | A |   | 2/1988  | Greer          |       |         |
| 5,275,463 | A | * | 1/1994  | Rocha          | ..... | 297/229 |
| 5,406,659 | A |   | 4/1995  | Camp           |       |         |
| D359,411  | S | * | 6/1995  | Wade           | ..... | D6/610  |
| D369,498  | S |   | 5/1996  | Newcomb        |       |         |
| D374,789  | S | * | 10/1996 | Kalista et al. | ..... | D6/596  |
| D382,756  | S | * | 8/1997  | Ryan           | ..... | D6/608  |
| D387,939  | S | * | 12/1997 | Tedesco et al. | ..... | D6/610  |
| 5,727,841 | A |   | 3/1998  | Morley         |       |         |
| 5,843,556 | A |   | 12/1998 | Levas          |       |         |
| D409,039  | S | * | 5/1999  | Kuehnl et al.  | ..... | D6/610  |
| D416,429  | S | * | 11/1999 | Kennard        | ..... | D6/611  |
| 6,030,034 | A |   | 2/2000  | Plohetski      |       |         |
| 6,149,234 | A |   | 11/2000 | Daniels        |       |         |
| D450,970  | S | * | 11/2001 | Self           | ..... | D6/611  |

|           |    |   |        |               |       |         |
|-----------|----|---|--------|---------------|-------|---------|
| 6,541,096 | B1 |   | 4/2003 | Richards      |       |         |
| 6,616,225 | B1 |   | 9/2003 | Graff         |       |         |
| 6,626,491 | B1 | * | 9/2003 | Blome et al.  | ..... | 297/229 |
| D506,345  | S  | * | 6/2005 | Bailey et al. | ..... | D6/608  |

\* cited by examiner

*Primary Examiner*—Louis S. Zarfes

*Assistant Examiner*—Anhdao Doan

(74) *Attorney, Agent, or Firm*—David P. Lhota, Esq.;  
Stearns Weaver Miller Weissler Alhadeff & Sitterson, P.A.

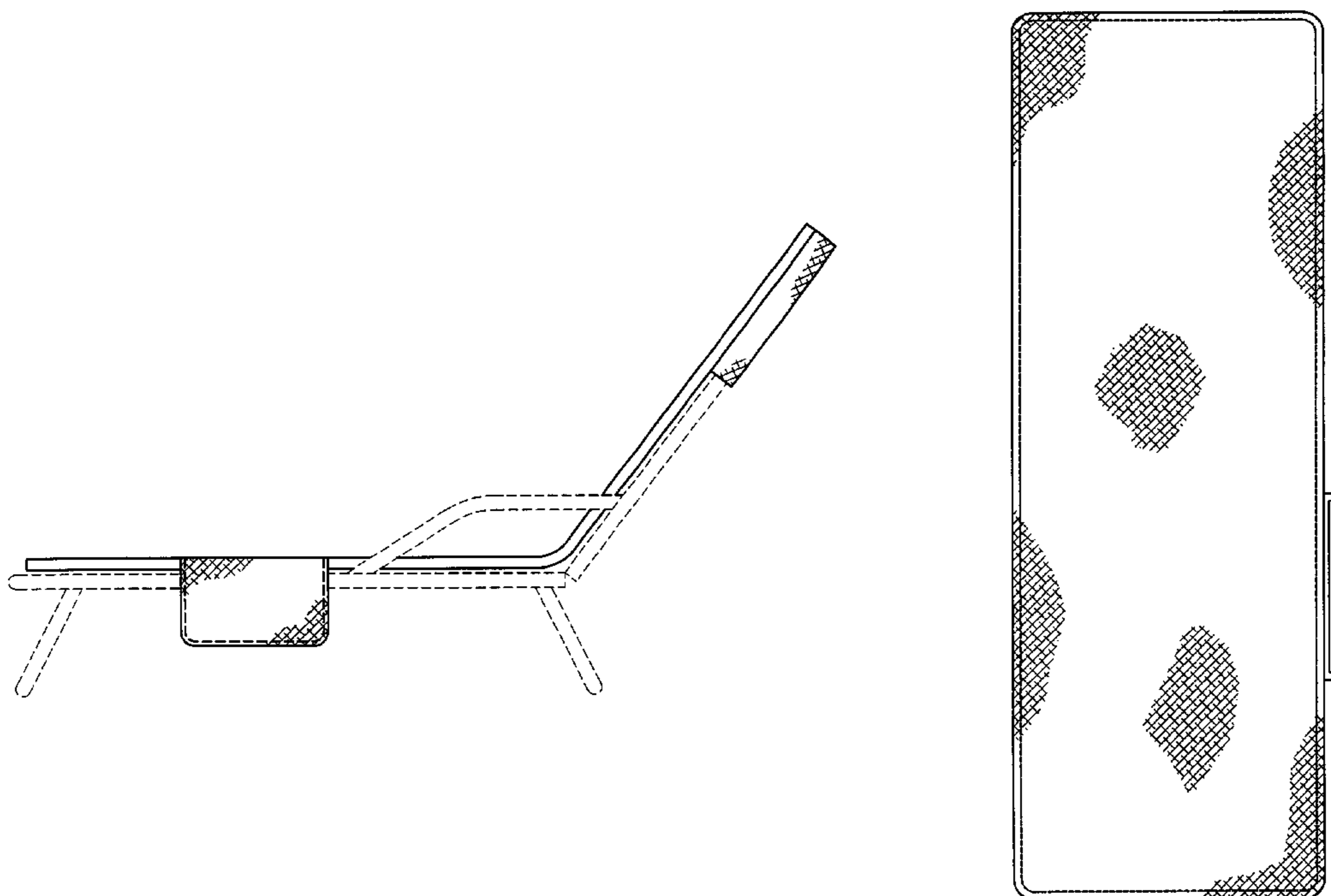
(57) **CLAIM**

The ornamental design for a chaise cover device, as shown and described.

**DESCRIPTION**

FIG. 1 is a right side view of a chaise cover device as would appear on a typical chaise, showing the new design; FIG. 2 is a top plan view of a chaise cover device with the cover in a flat position; FIG. 3 is a left side view thereof; FIG. 4 is a bottom plan view thereof; FIG. 5 is a right side view thereof; FIG. 6 is a lower end view thereof; and, FIG. 7 is an upper end view thereof. The broken line showing the chaise in FIG. 1 is for illustrative purpose only and forms no part of the claimed design. The dotted lines on the side pocket in FIG. 1 represent stitching. It should be understood that the cross-hatch shading fragmentarily shown in FIGS. 1-7 represents fabric and is understood to extend uniformly throughout the areas represented.

**1 Claim, 4 Drawing Sheets**



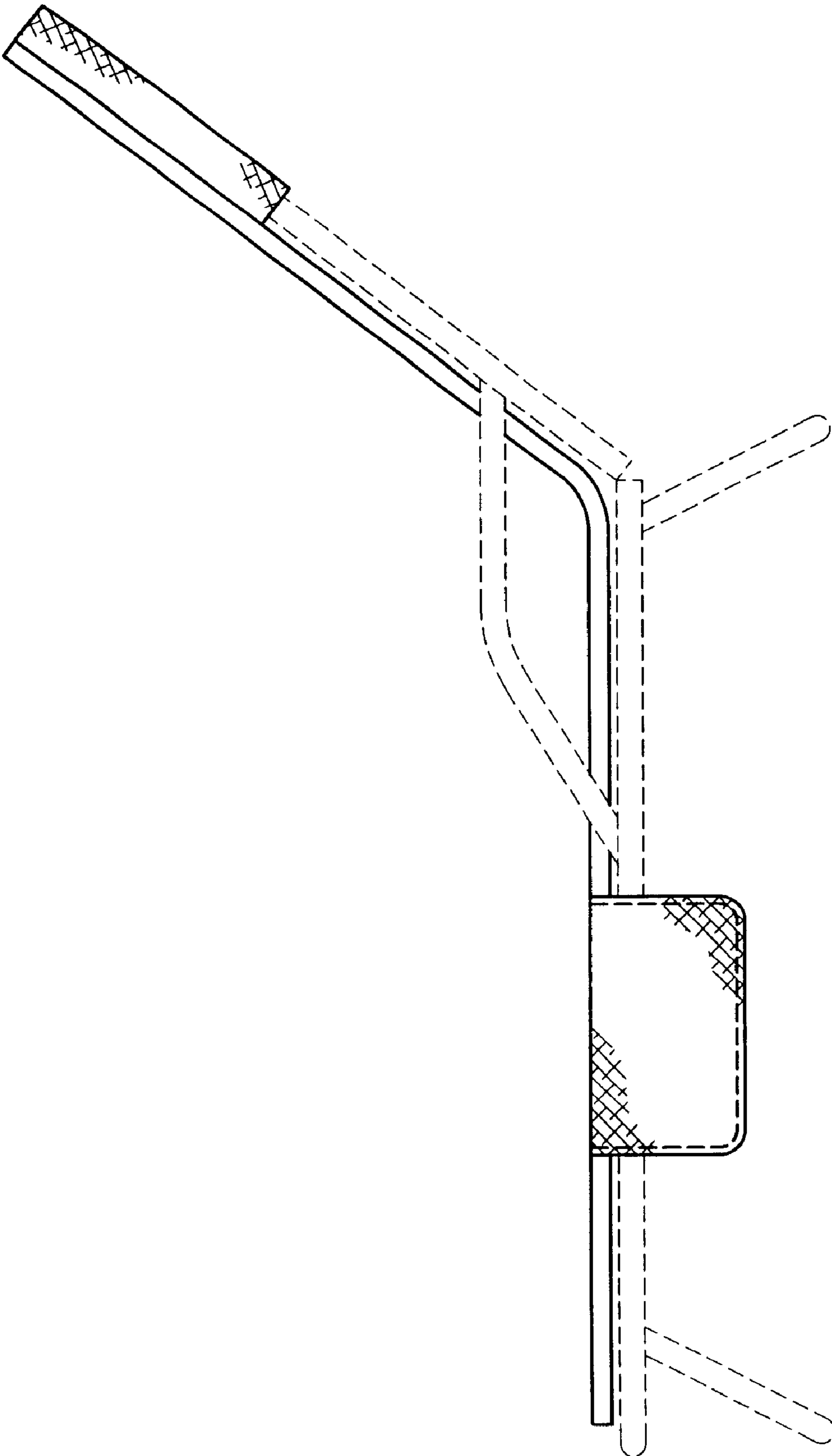


FIG. 1

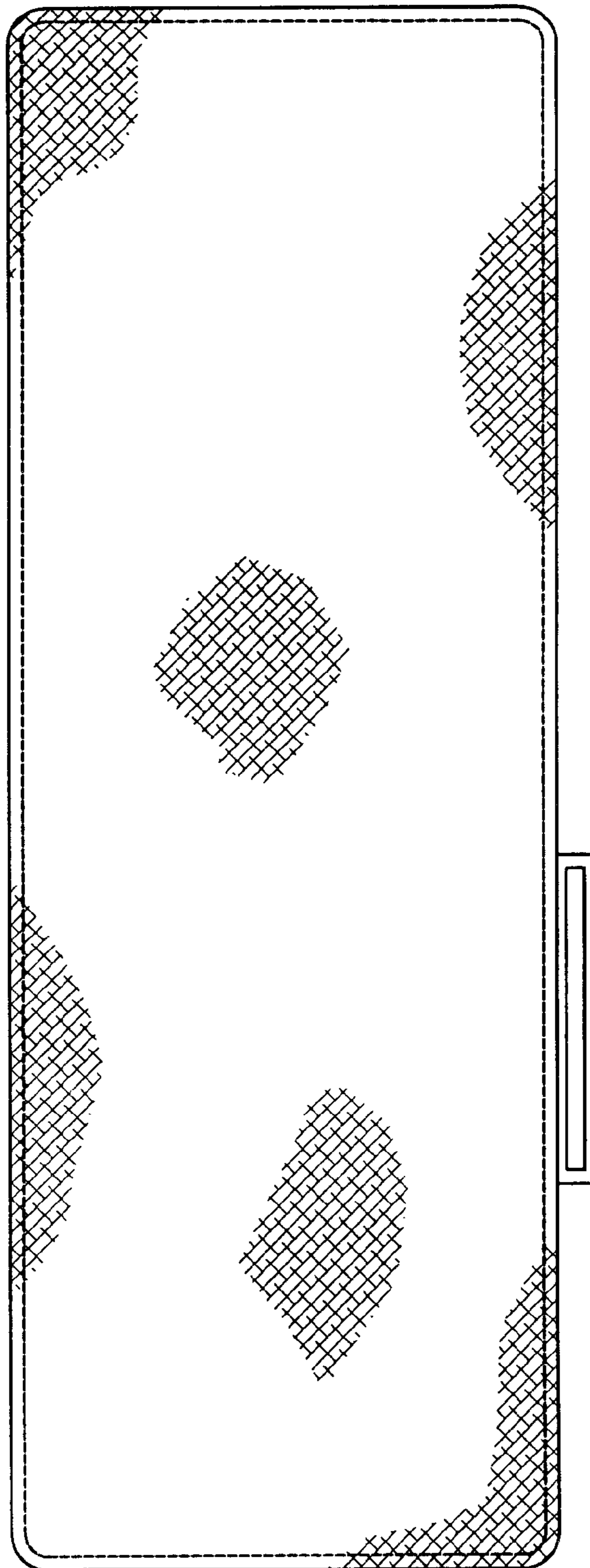


FIG. 2

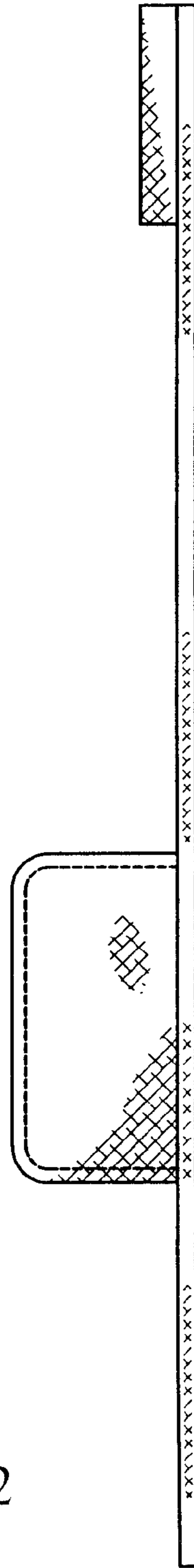


FIG. 3

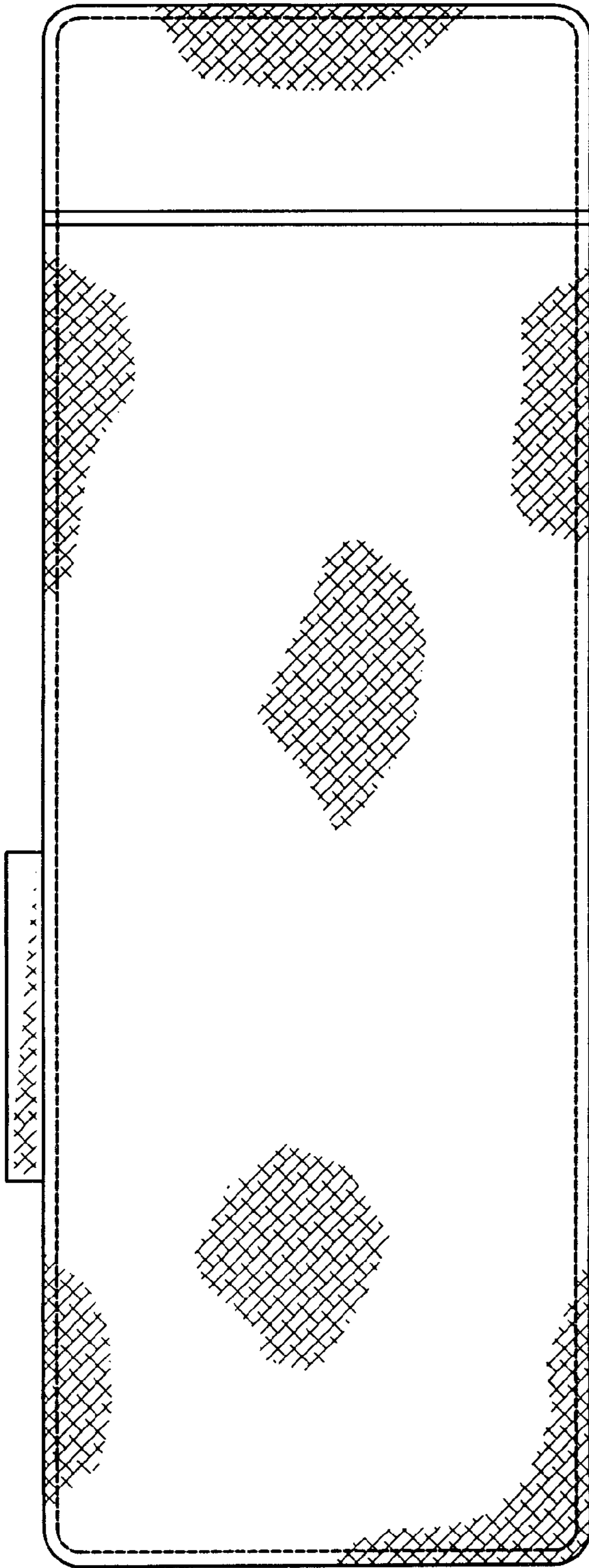


FIG. 4

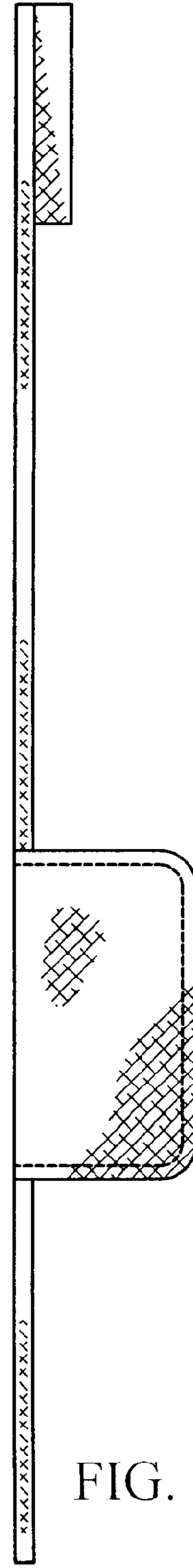


FIG. 5



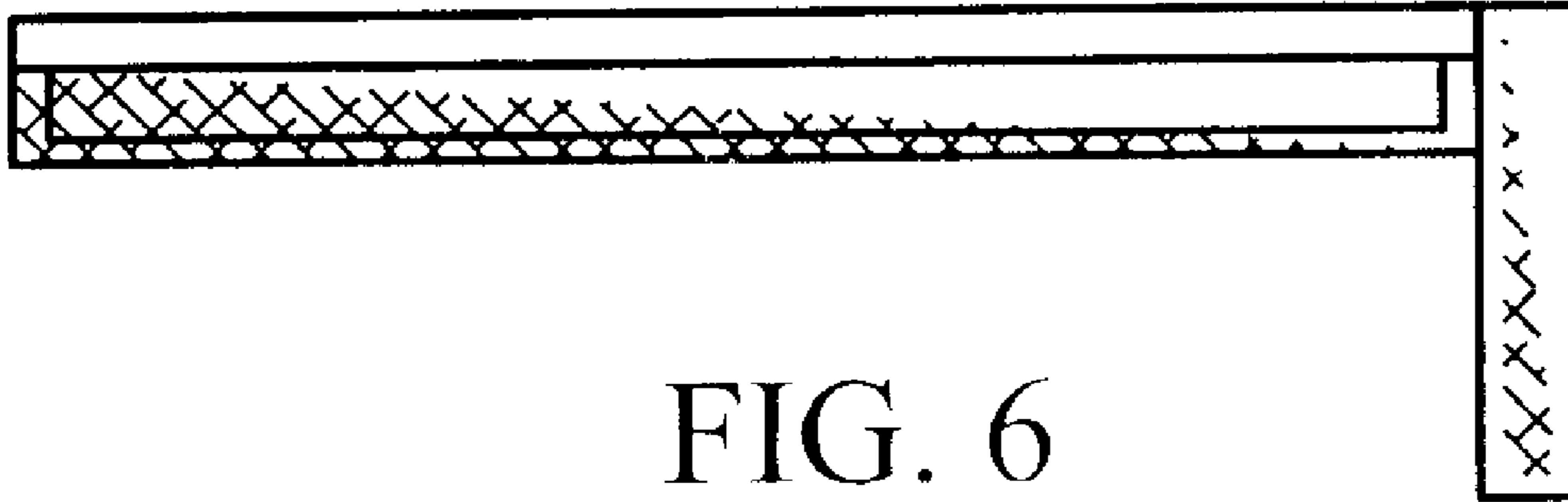


FIG. 6

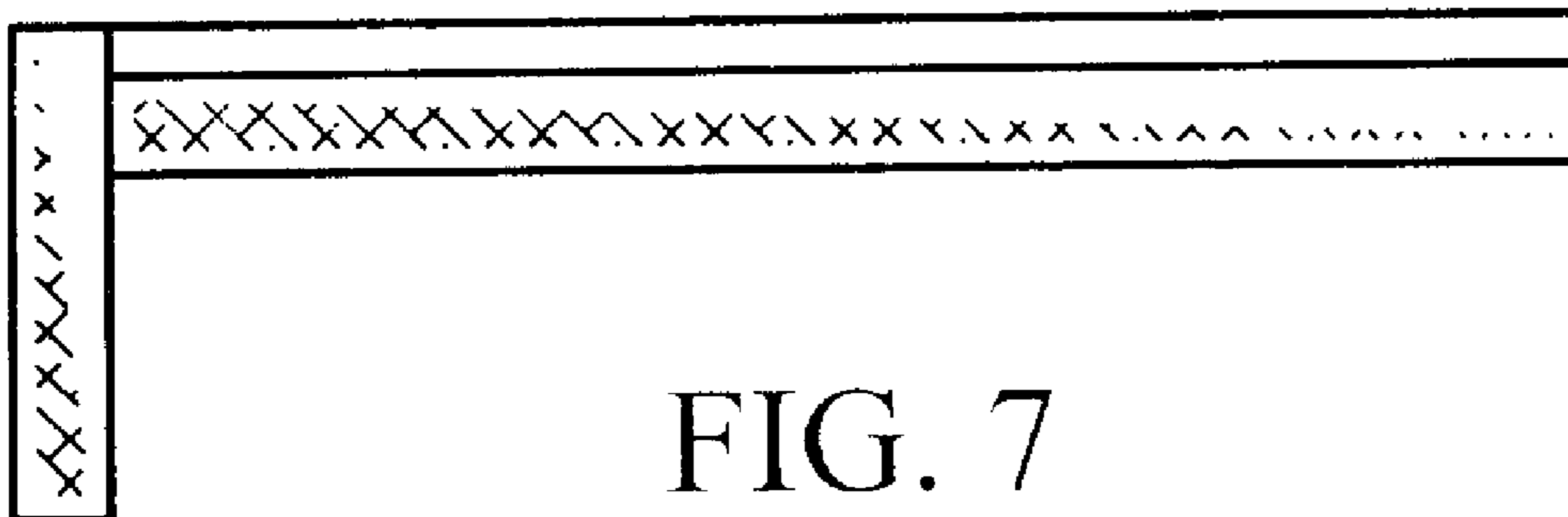


FIG. 7