

US00D527930S

(12) **United States Design Patent** (10) **Patent No.:** **US D527,930 S**
Aslle et al. (45) **Date of Patent:** **** *Sep. 12, 2006**

(54) **TABLE LEG**
(75) Inventors: **Robert A. Aslle**, Farmington, UT (US);
L. Curtis Strong, Clearfield, UT (US)
(73) Assignee: **Lifetime Products, Inc.**, Clearfield, UT (US)
(*) Notice: This patent is subject to a terminal disclaimer.
(**) Term: **14 Years**
(21) Appl. No.: **29/212,446**
(22) Filed: **Sep. 1, 2004**
(51) **LOC (8) Cl.** **06-06**
(52) **U.S. Cl.** **D6/495; D6/499**
(58) **Field of Classification Search** D6/480-489,
D6/495-499, 511, 429-431; 108/150, 153.1,
108/155, 156, 157.1, 161, 130, 146, 147.19,
108/147.21; 248/188, 188.1, 188.8, 423
See application file for complete search history.

4,838,180 A 6/1989 Gutgsell
4,841,877 A 6/1989 Virtue
4,951,576 A 8/1990 Cobos et al.
5,056,439 A 10/1991 Hodge, Jr. et al.
D323,947 S 2/1992 Pomeroy et al.
5,109,778 A 5/1992 Berkowitz et al.
D330,299 S 10/1992 Saotome
5,279,233 A 1/1994 Cox
5,284,100 A 2/1994 Thorn
5,341,750 A * 8/1994 Fuchs 108/64
5,357,872 A 10/1994 Wilmore
5,421,272 A 6/1995 Wilmore
D379,127 S 5/1997 Schacht
5,636,578 A 6/1997 Rizzi
D380,632 S 7/1997 Schacht
5,694,865 A 12/1997 Raab
5,732,637 A 3/1998 Raab
5,865,128 A 2/1999 Tarnay
5,868,081 A 2/1999 Raab
5,921,623 A 7/1999 Nye et al.
D414,626 S 10/1999 Collins et al.
D419,332 S 1/2000 Collins et al.

(Continued)

Primary Examiner—Janice E. Seeger
(74) *Attorney, Agent, or Firm*—Workman Nydegger

(56) **References Cited**
U.S. PATENT DOCUMENTS

1,757,260 A 5/1930 Silverman
D99,726 S 5/1936 Powell
D115,103 S 6/1939 Erickson
D151,780 S 11/1948 Low
D157,649 S 3/1950 White
2,689,158 A 9/1954 Mahr
D180,283 S 5/1957 Hoven et al.
3,267,886 A * 8/1966 Glass 108/127
3,349,728 A 10/1967 Barecki et al.
3,357,729 A 12/1967 Krueger
D224,876 S 10/1972 Acton
D236,058 S 7/1975 Kramer
D239,680 S 4/1976 Szucs
D248,139 S 6/1978 Petersen
4,191,111 A 3/1980 Emmert
4,597,553 A * 7/1986 Rorabaugh 248/440
4,727,816 A 3/1988 Virtue
4,827,851 A 5/1989 Diffrient

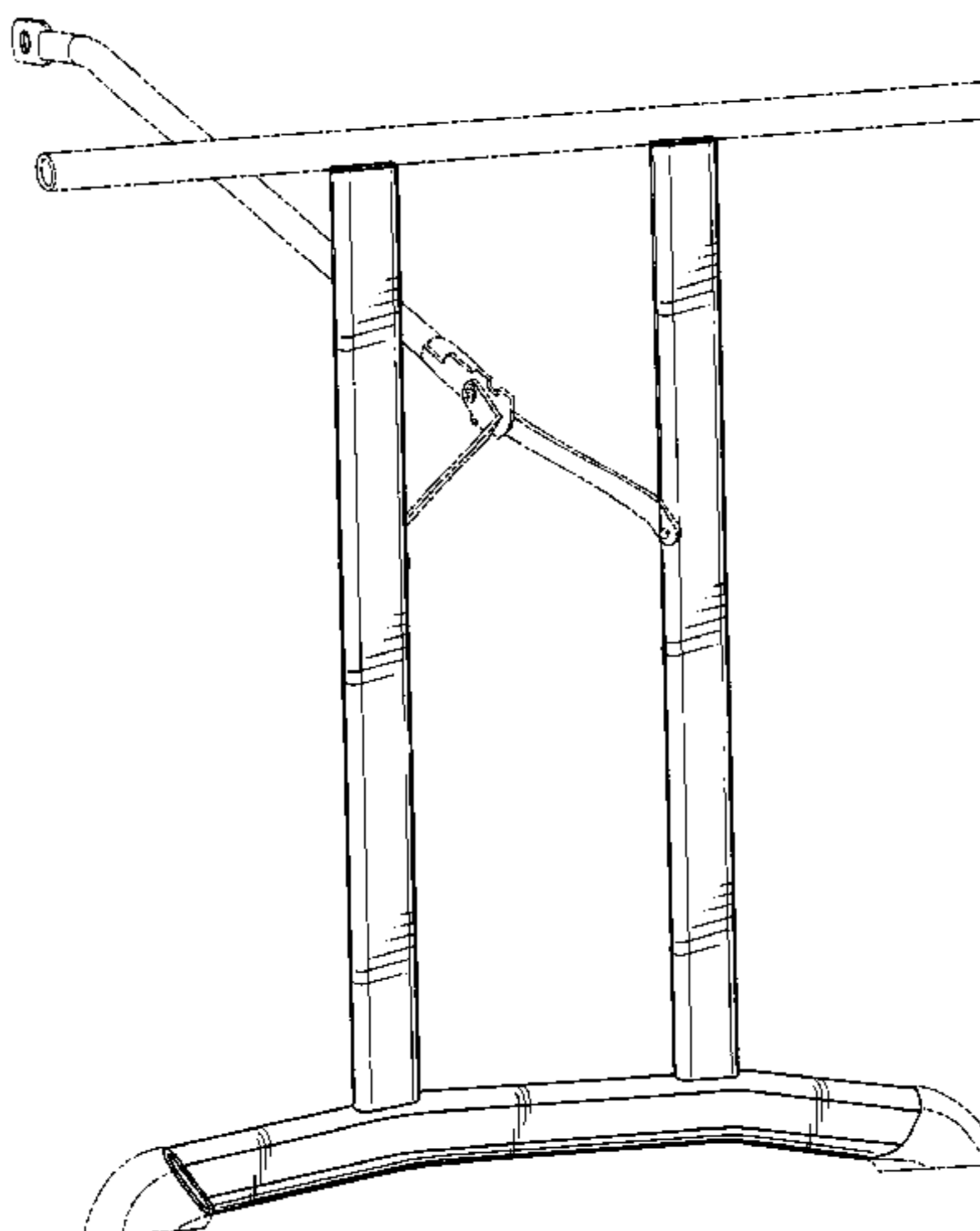
(57) **CLAIM**

The ornamental design for a table leg, as shown and described.

DESCRIPTION

FIG. 1 is a perspective view of an exemplary embodiment of a table leg;
FIG. 2 is a front view of the table leg;
FIG. 3 is a right side view of the table leg, with the left side view being a mirror image thereof;
FIG. 4 is a top view of the table leg;
FIG. 5 is a bottom view of the table leg; and,
FIG. 6 is a rear view of the table leg.
The broken lines shown in the figures are for illustrative purposes only and form no part of the claimed design.

1 Claim, 5 Drawing Sheets



US D527,930 S

Page 2

U.S. PATENT DOCUMENTS					
D420,527 S	2/2000	Pinch et al.	D469,271 S	1/2003	Avrahami
D423,258 S	4/2000	Pinch	D469,981 S	2/2003	Buono
6,109,687 A	8/2000	Nye et al.	D474,628 S	5/2003	Chen
6,112,674 A	9/2000	Stanford	D476,169 S	6/2003	Buono
6,422,157 B1	7/2002	Rumph	D476,823 S	7/2003	Jackson
D468,139 S *	1/2003	Strong	D488,998 S	4/2004	Bosman
		D6/499			* cited by examiner

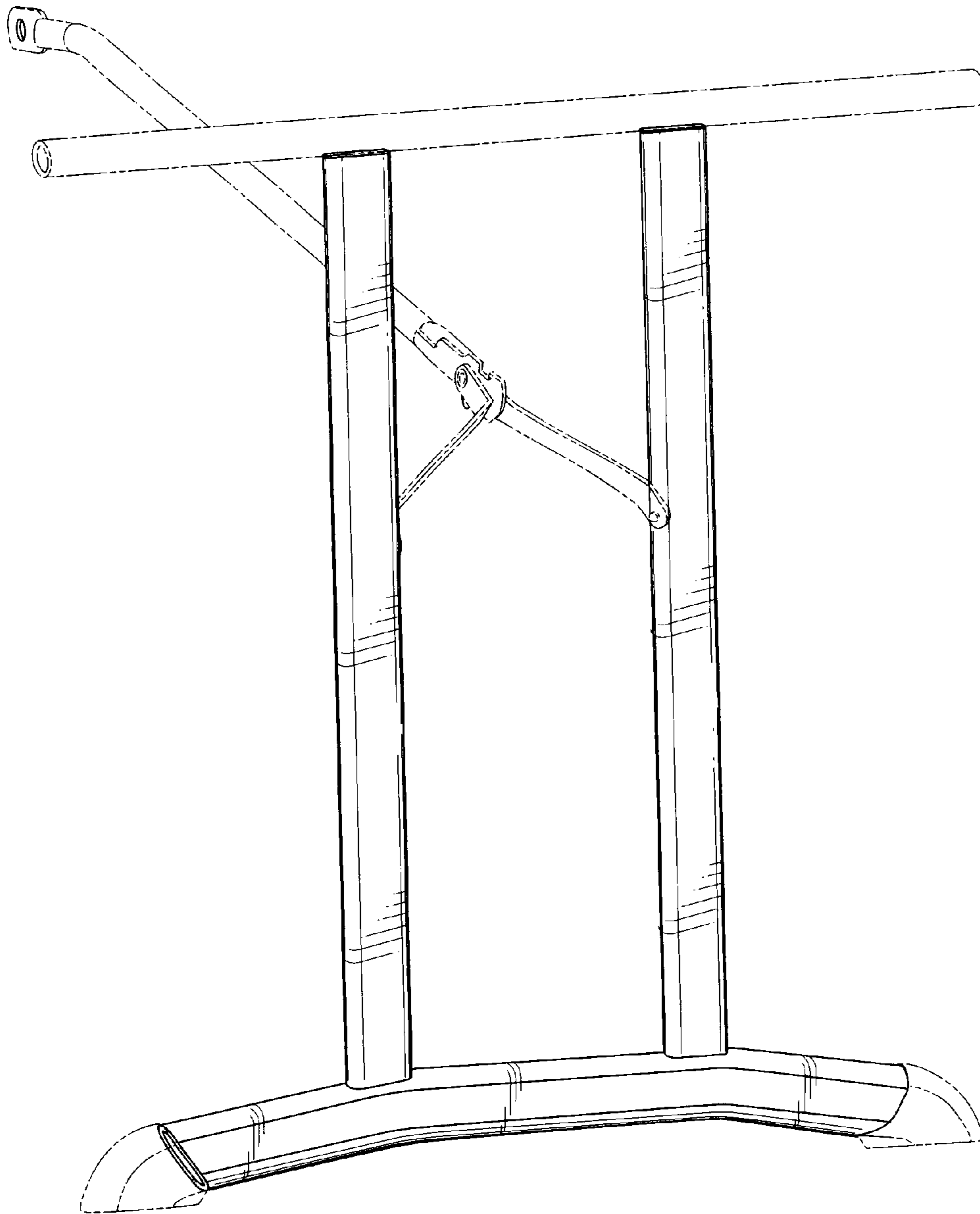


Fig. 1

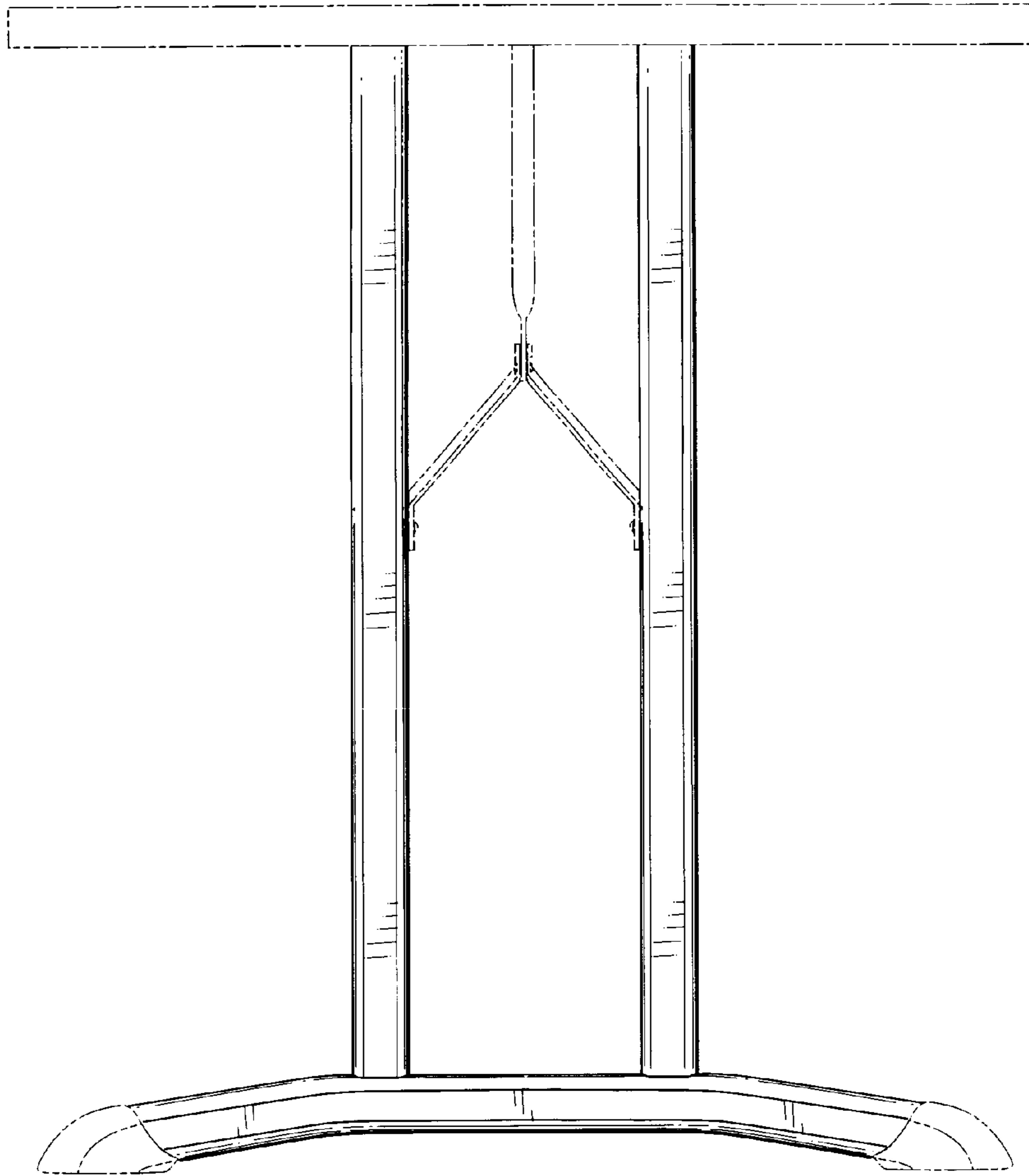


Fig. 2

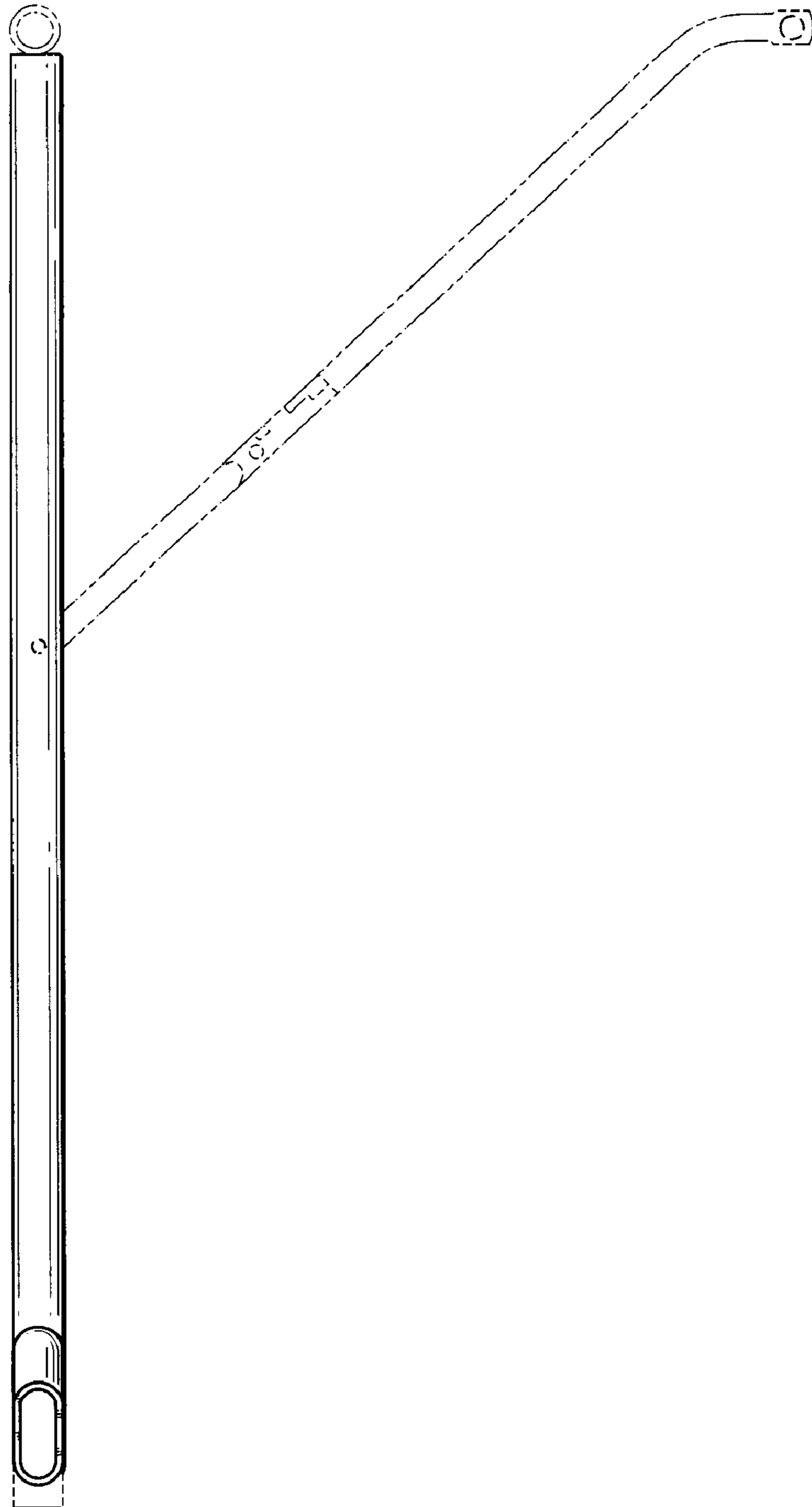


Fig. 3

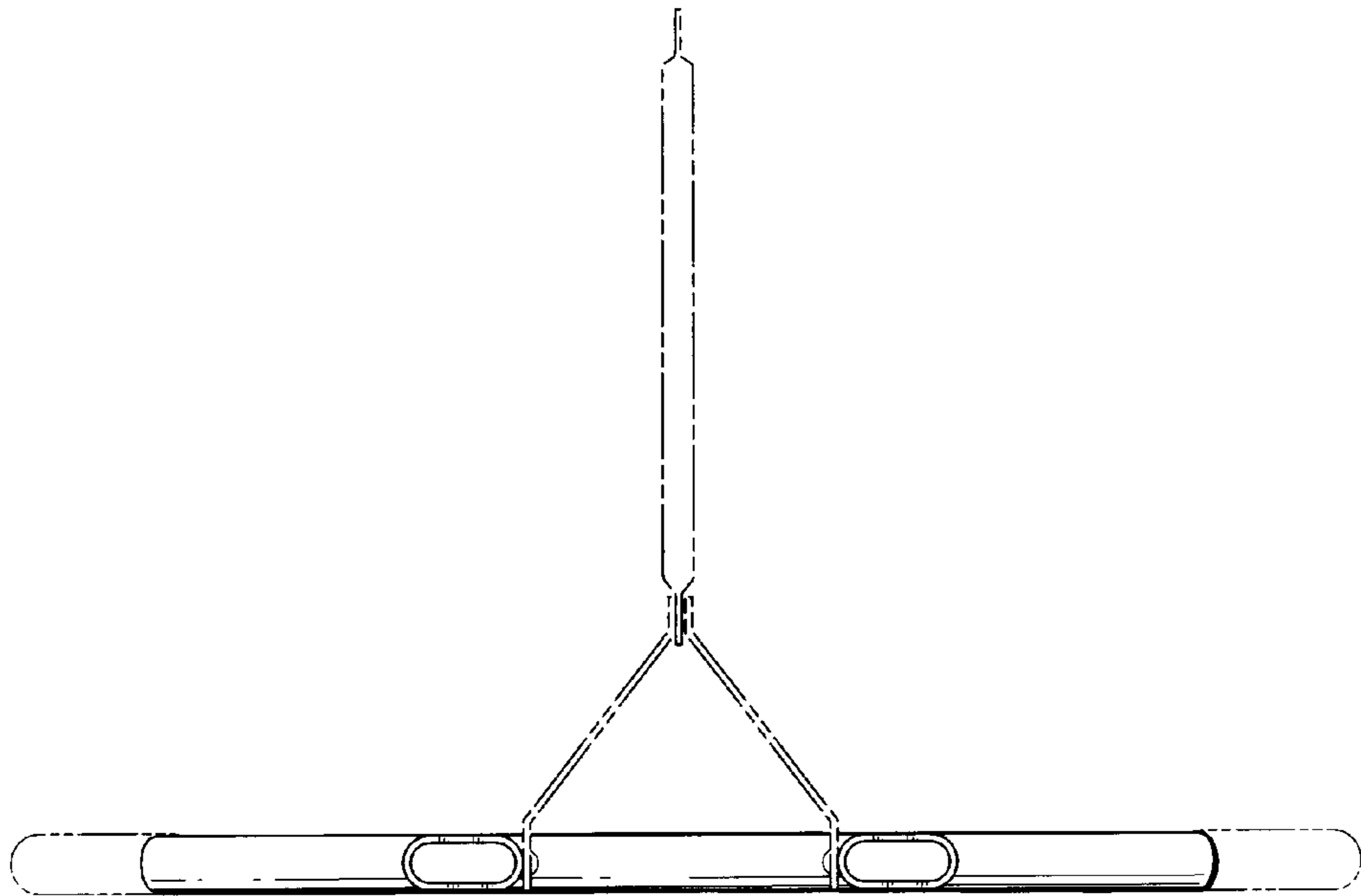


Fig. 4

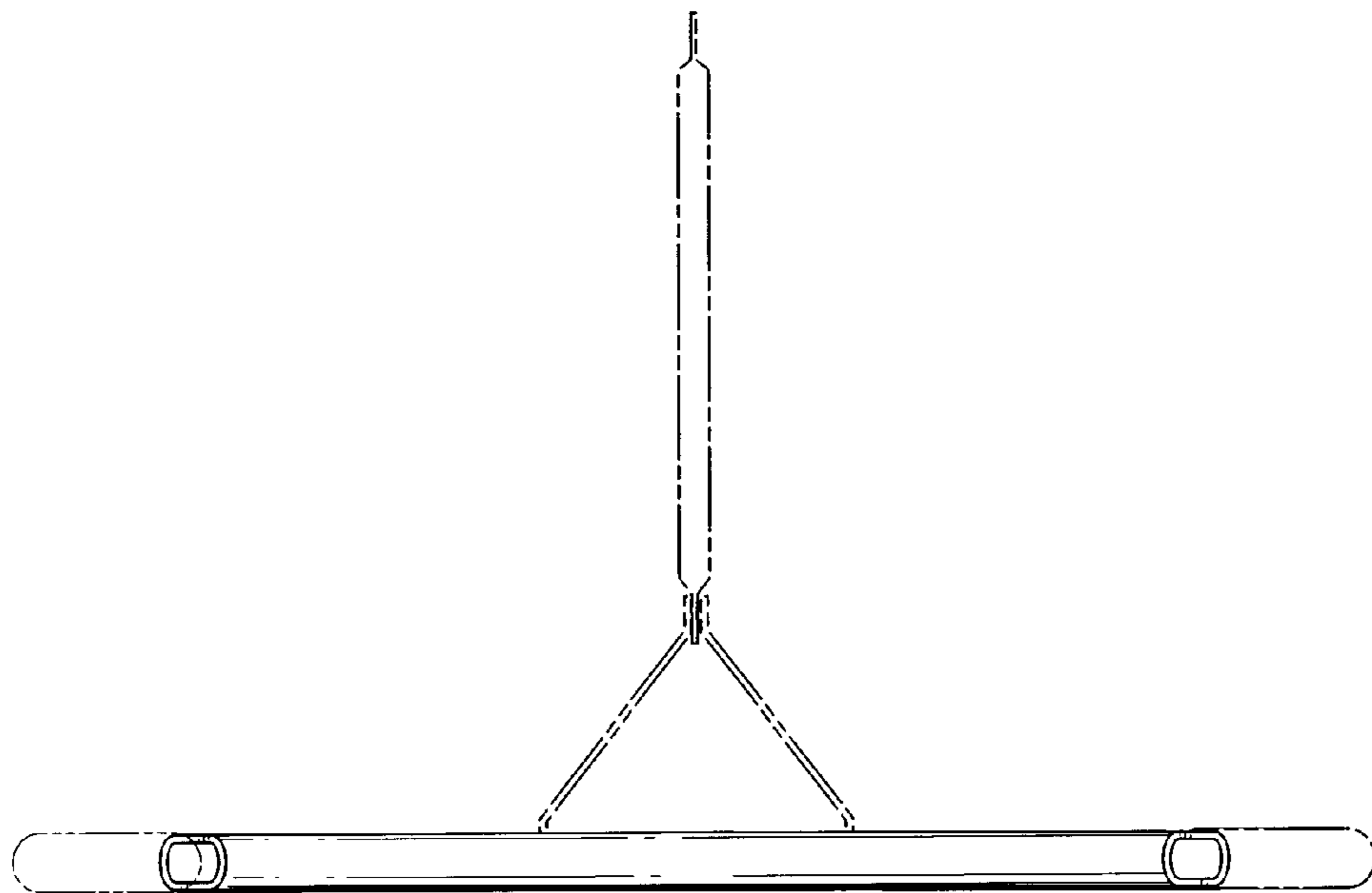


Fig. 5

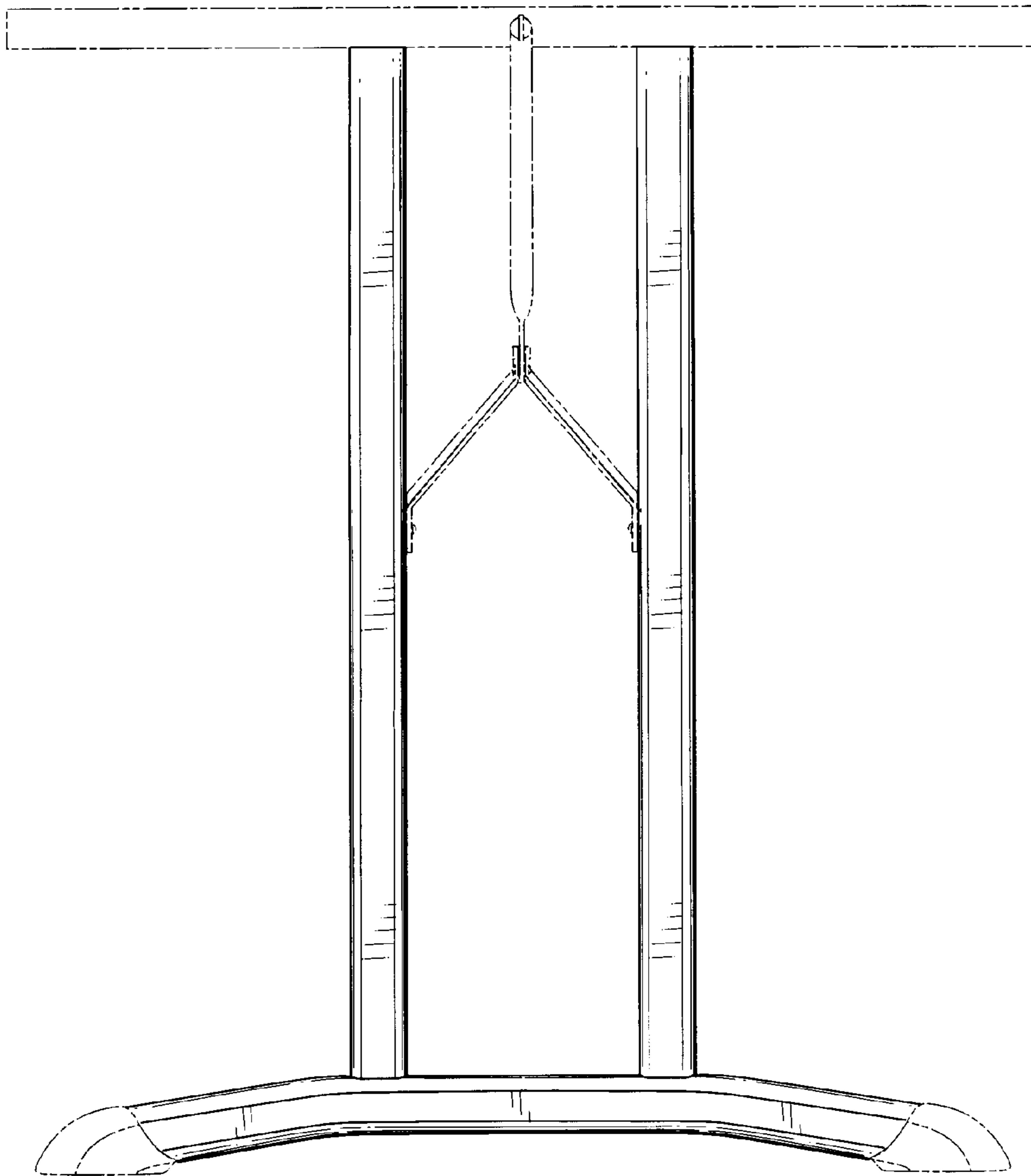


Fig. 6

UNITED STATES PATENT AND TRADEMARK OFFICE
CERTIFICATE OF CORRECTION

PATENT NO. : Des. 527,930 S
APPLICATION NO. : 29/212446
DATED : September 12, 2006
INVENTOR(S) : Astle et al.

Page 1 of 1

It is certified that error appears in the above-identified patent and that said Letters Patent is hereby corrected as shown below:

Title page, item [75]
Inventors, change "Aslle" to --Astle--

Signed and Sealed this

Twenty-seventh Day of February, 2007

A handwritten signature in black ink on a light gray dotted background. The signature reads "Jon W. Dudas" in a cursive style.

JON W. DUDAS

Director of the United States Patent and Trademark Office