



US00D527928S

(12) **United States Design Patent**
Spector et al.

(10) **Patent No.:** **US D527,928 S**

(45) **Date of Patent:** **** Sep. 12, 2006**

(54) **TABLE**

D412,254 S * 7/1999 Gower D6/480
D475,869 S * 6/2003 Jackson D6/480
D499,904 S * 12/2004 Roberts D6/480

(76) Inventors: **Frederic Spector**, 3 Armstrong St.,
Providence, RI (US) 02903; **Alan**
Bruno Antonelli, 34 Manor Rd.,
Cronston, RI (US) 02920

* cited by examiner

(**) Term: **14 Years**

Primary Examiner—Janice E. Seeger
(74) *Attorney, Agent, or Firm*—Schwartz Law Firm P.C.

(21) Appl. No.: **29/221,787**

(22) Filed: **Jan. 19, 2005**

(57) **CLAIM**

I claim the ornamental design for a table, as shown.

(51) **LOC (8) Cl.** **06-03**

(52) **U.S. Cl.** **D6/480; D6/488**

(58) **Field of Classification Search** D6/480-489,
D6/495-499, 450, 451, 474, 477, 479, 470;
108/153.1, 155, 156, 161, 155.7; 248/188,
248/188.1, 188.8

DESCRIPTION

See application file for complete search history.

FIG. 1 is a perspective view of the table;

FIG. 2 is a side view thereof;

FIG. 3 is a top view thereof; and,

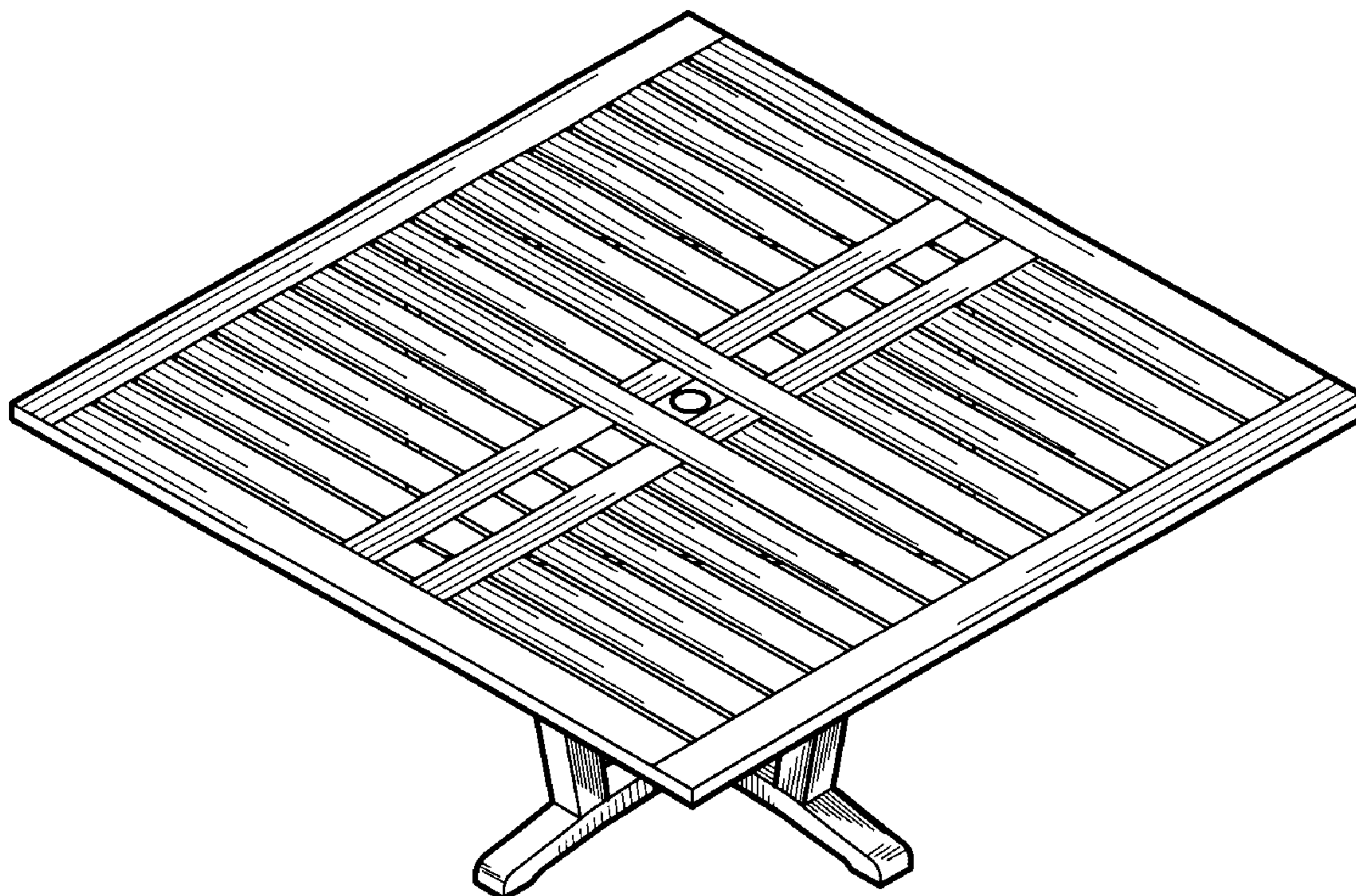
FIG. 4 is a bottom view thereof.

(56) **References Cited**

U.S. PATENT DOCUMENTS

D399,681 S * 10/1998 Grosfillex D6/480

1 Claim, 2 Drawing Sheets



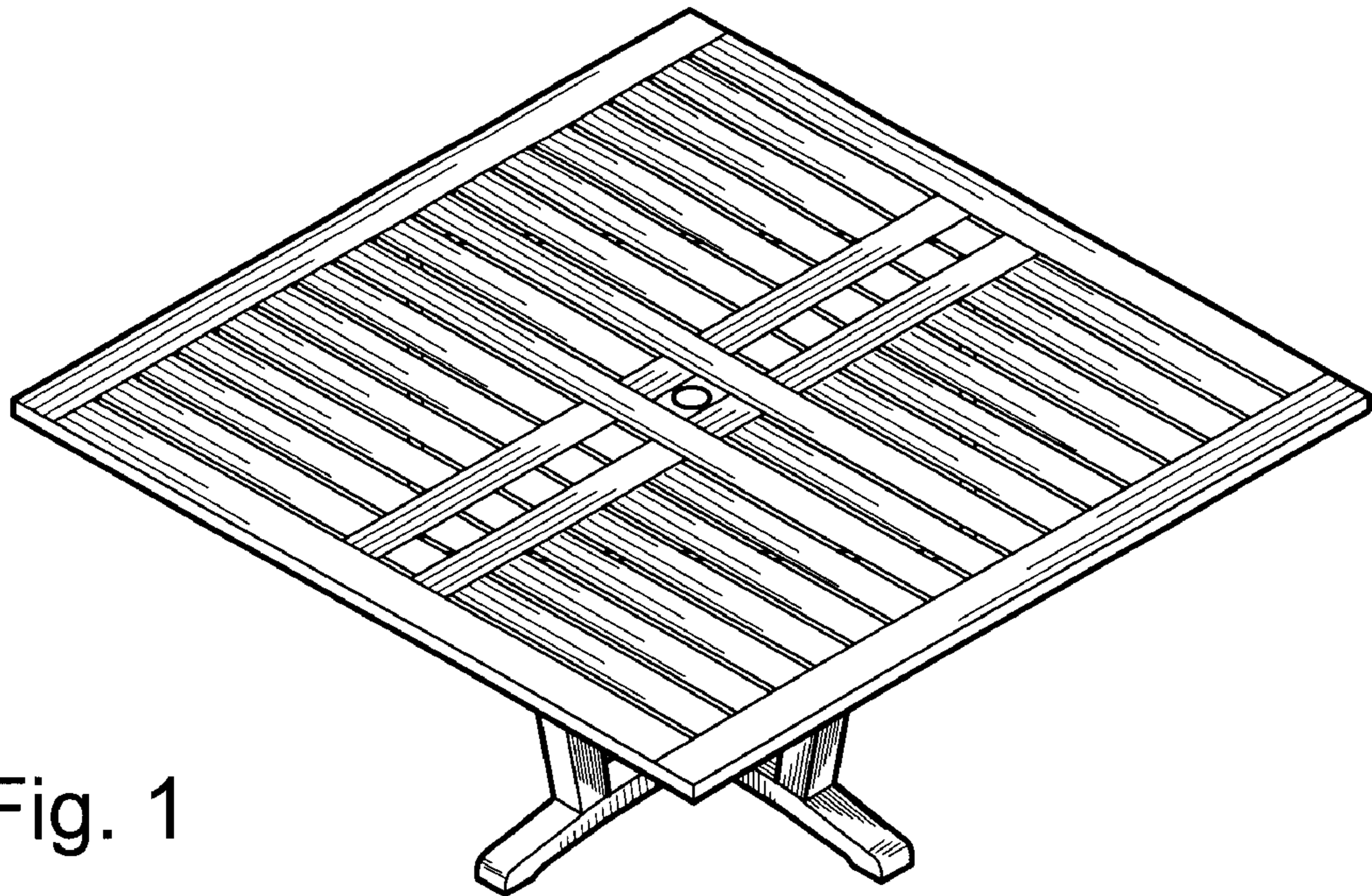


Fig. 1

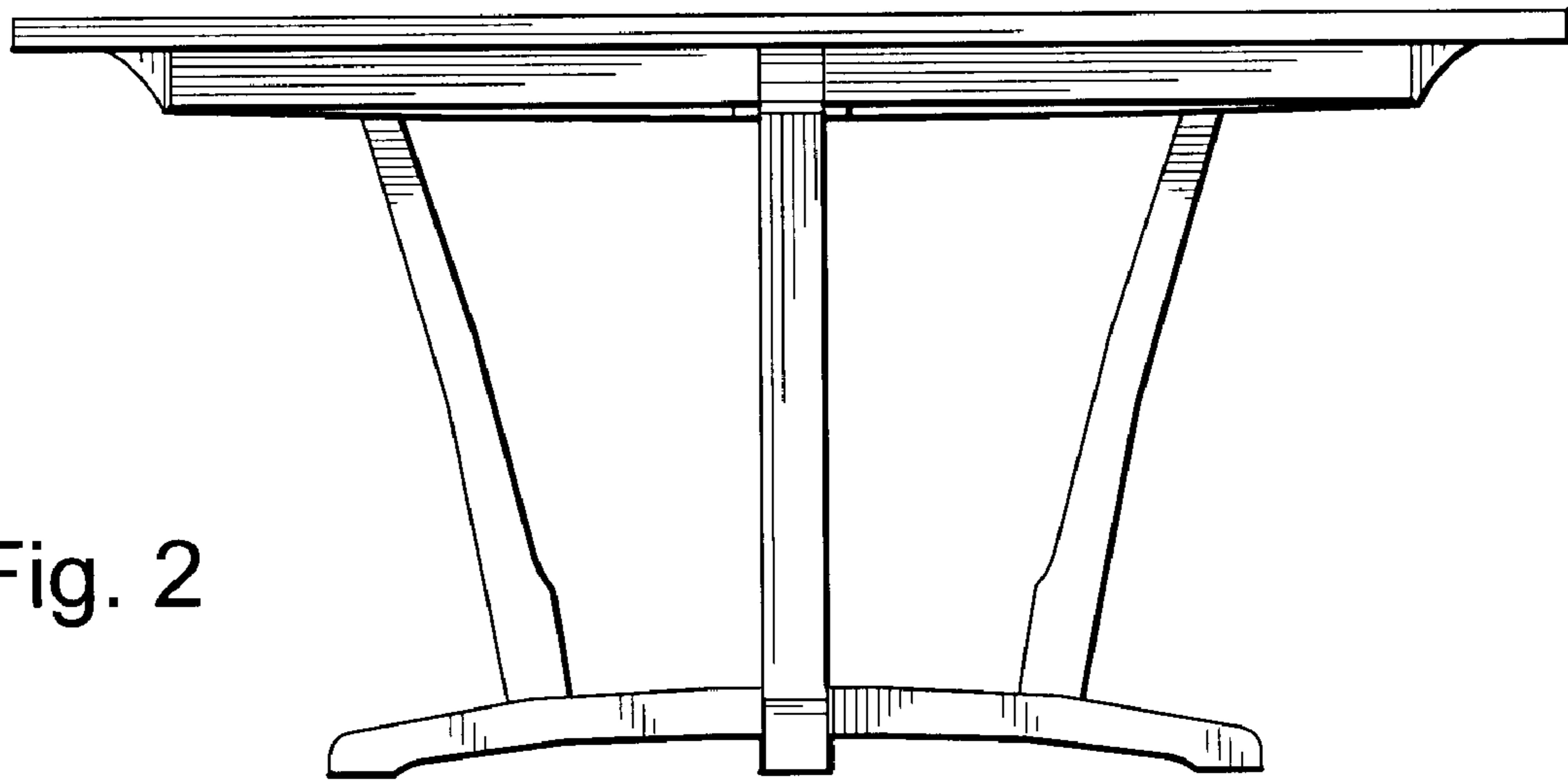


Fig. 2

Fig. 3

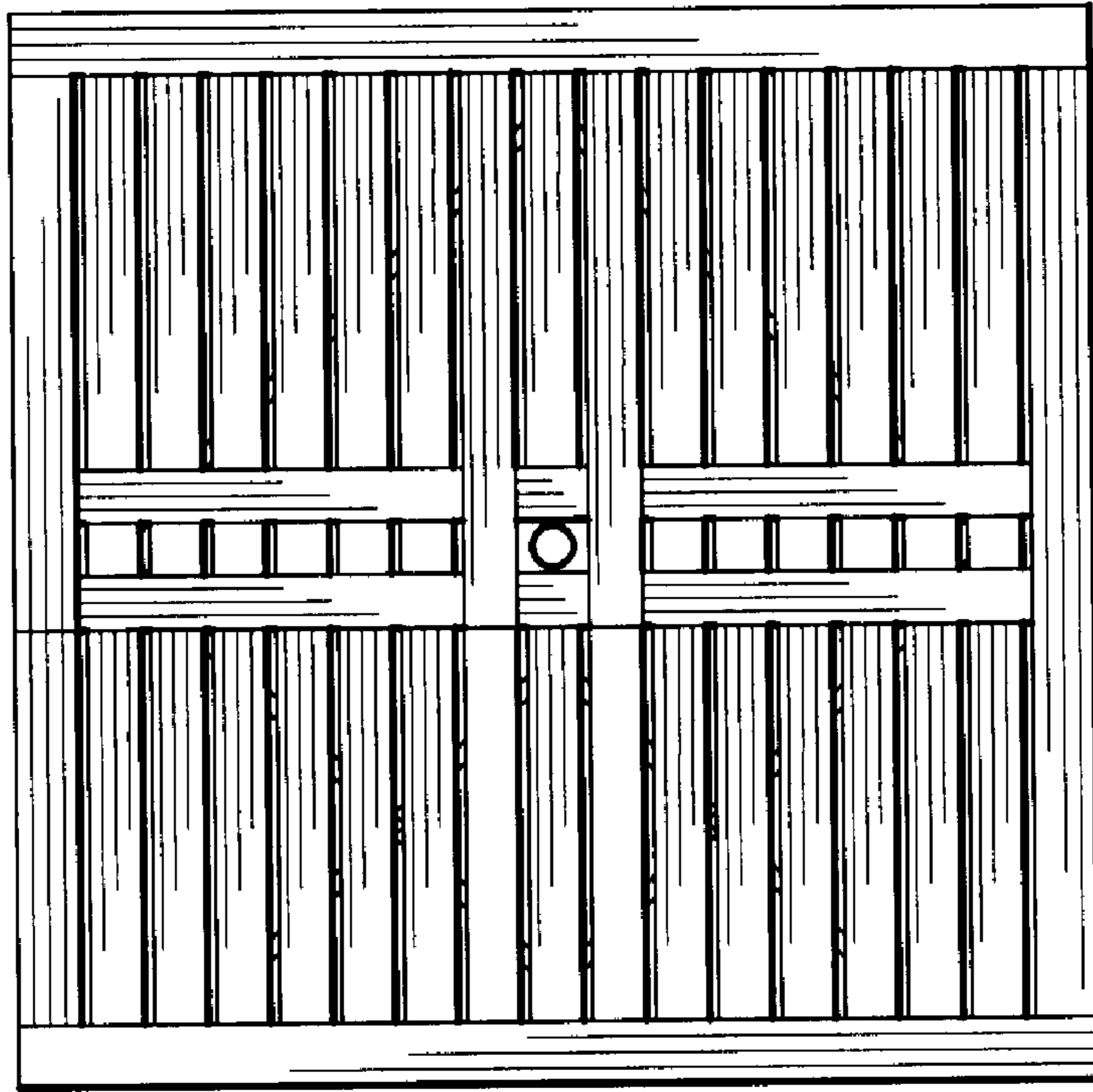


Fig. 4

