



US00D527919S

(12) **United States Design Patent**
Sutton

(10) **Patent No.:** **US D527,919 S**

(45) **Date of Patent:** **** Sep. 12, 2006**

(54) **WALL-MOUNTABLE CHAIR**

(76) Inventor: **Dartha Sutton**, 13323 Blackstone La.,
Plainfield, IL (US) 60544

(**) Term: **14 Years**

(21) Appl. No.: **29/231,881**

(22) Filed: **Jun. 13, 2005**

(51) **LOC (8) Cl.** **06-01**

(52) **U.S. Cl.** **D6/362**

(58) **Field of Classification Search** D6/334,
D6/335, 353, 362, 368, 380, 500-502; D23/304;
297/4, 14, 16.1, 252, 331; 4/578.1; 108/44,
108/116, 134

See application file for complete search history.

(56) **References Cited**

U.S. PATENT DOCUMENTS

1,199,002	A	*	9/1916	Freise	297/14
1,784,390	A		12/1930	Rice		
2,257,211	A		9/1941	Willoughby		
2,714,920	A	*	8/1955	Hancock	297/14
4,009,903	A		3/1977	Manspeaker		
4,087,127	A	*	5/1978	Lotta	297/14
4,270,794	A		6/1981	Lewis		

D271,731	S	*	12/1983	Chamberlain et al.	D6/362
D307,219	S	*	4/1990	Provencher	D6/362
5,185,892	A	*	2/1993	Mitchell	4/578.1
5,791,729	A		8/1998	McCormick et al.		
5,967,255	A	*	10/1999	Young	297/14
6,089,651	A		7/2000	Carmen		

* cited by examiner

Primary Examiner—Mimosa De

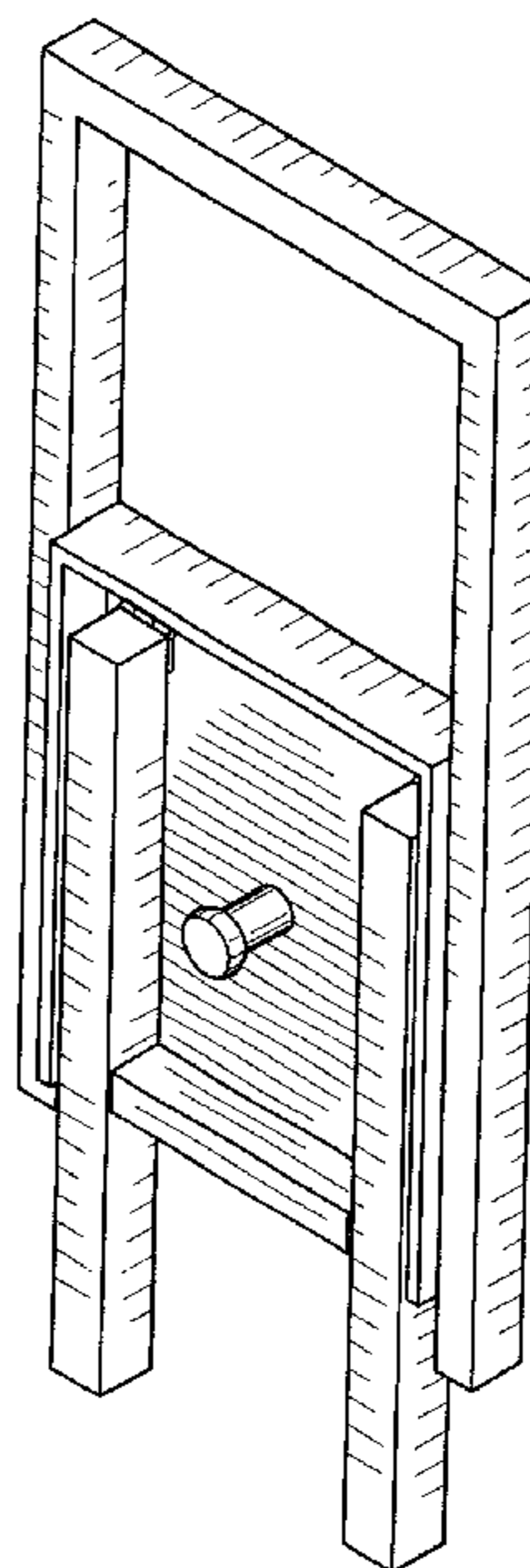
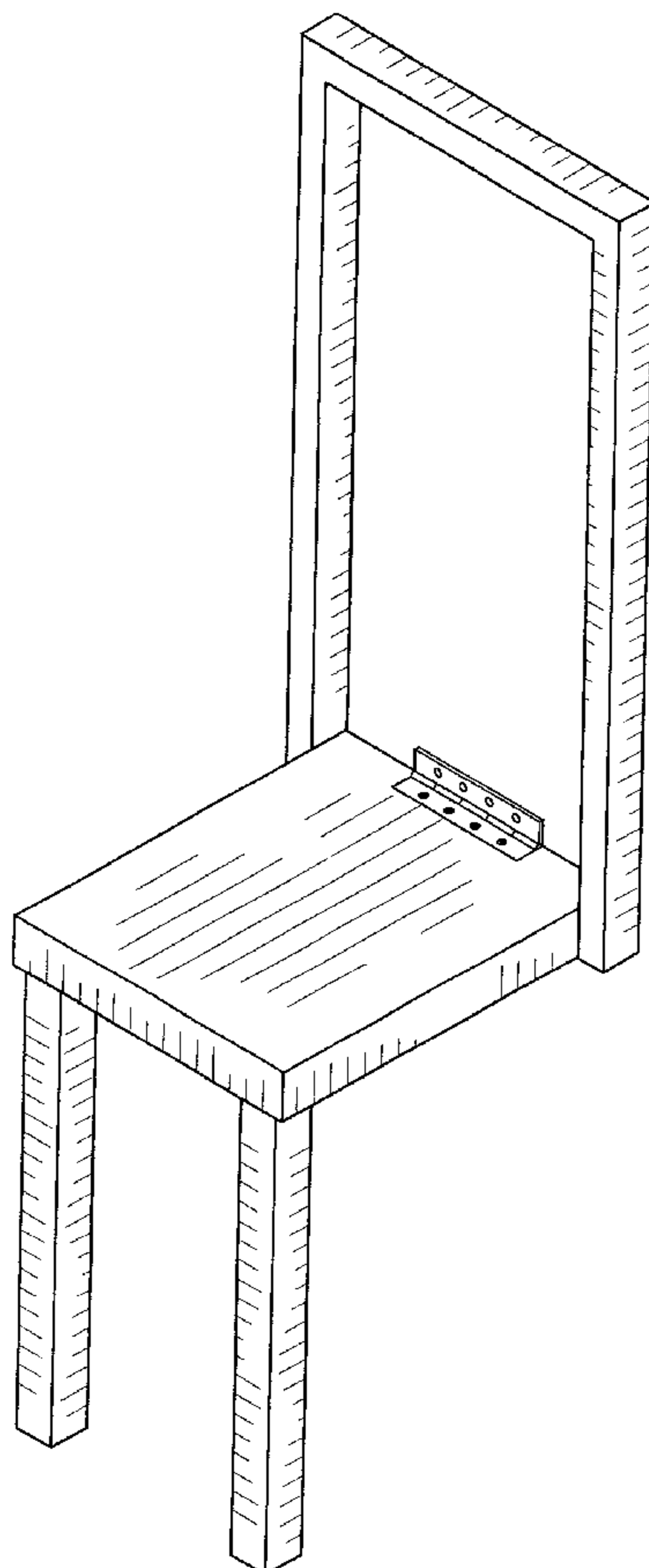
(57) **CLAIM**

The ornamental design for a wall-mountable chair, as shown and described.

DESCRIPTION

FIG. 1 is a front elevational view of a wall-mountable chair showing my new design;
 FIG. 2 is a rear elevational view thereof;
 FIG. 3 is a side elevational view thereof;
 FIG. 4 is a top plan view thereof;
 FIG. 5 is a bottom plan view thereof;
 FIG. 6 is a perspective view thereof;
 FIG. 7 is a front elevational view showing the chair in the folded position;
 FIG. 8 is a side elevational view thereof; and,
 FIG. 9 is a perspective view thereof.

1 Claim, 7 Drawing Sheets



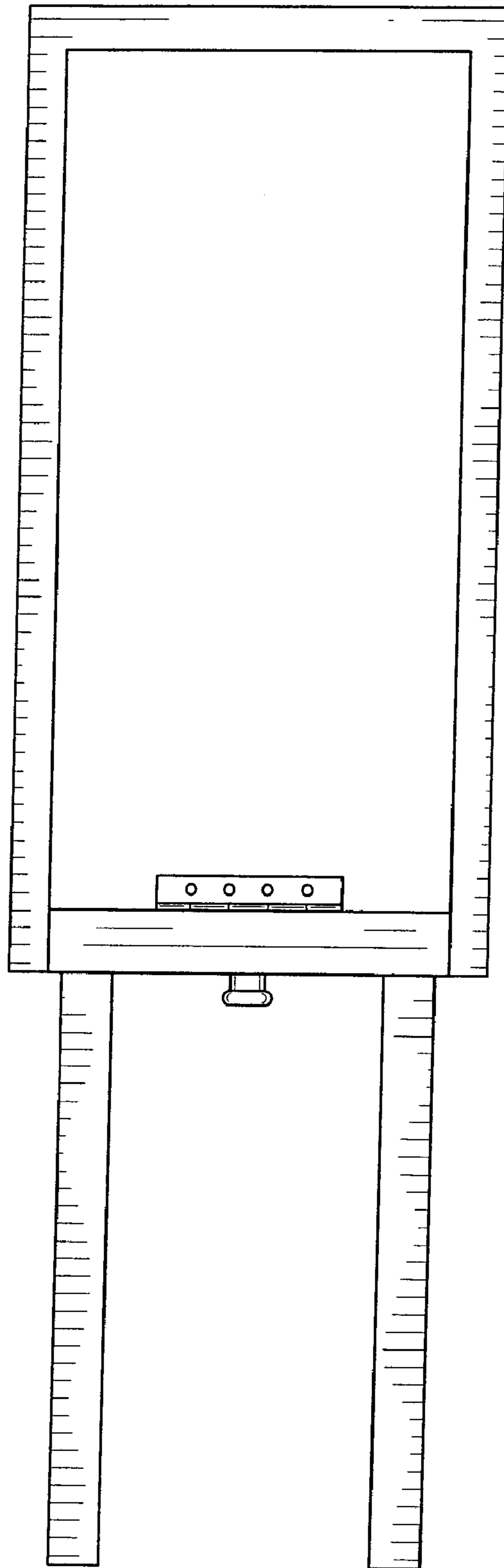


FIG. 1

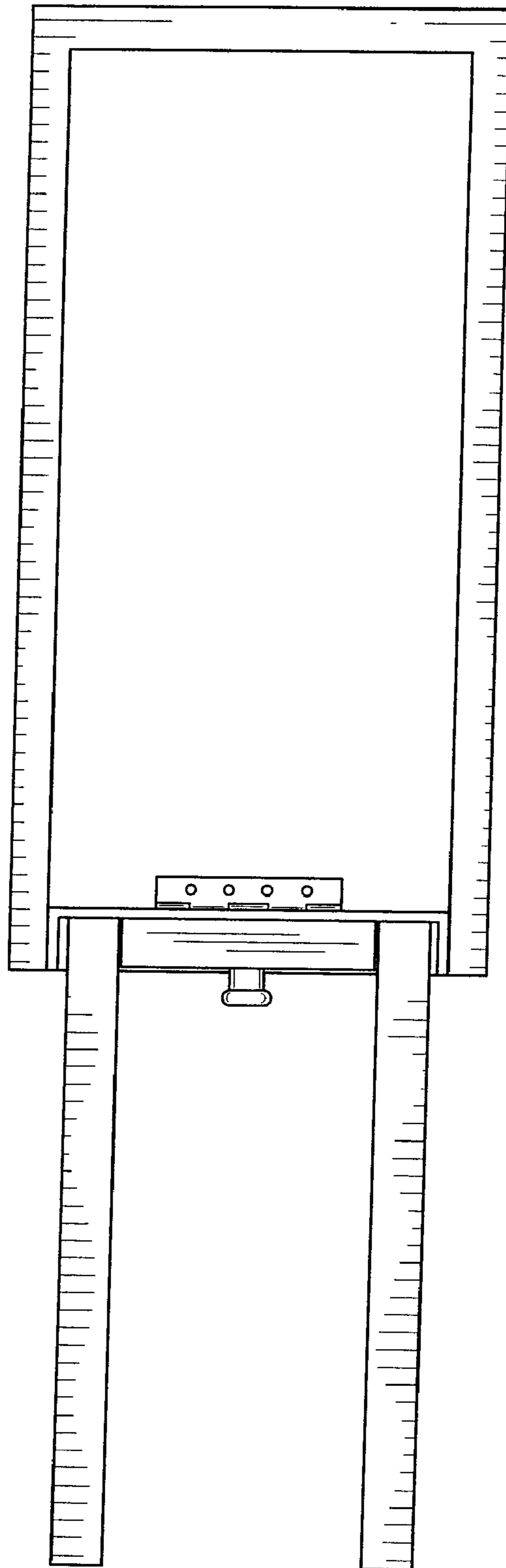


FIG. 2

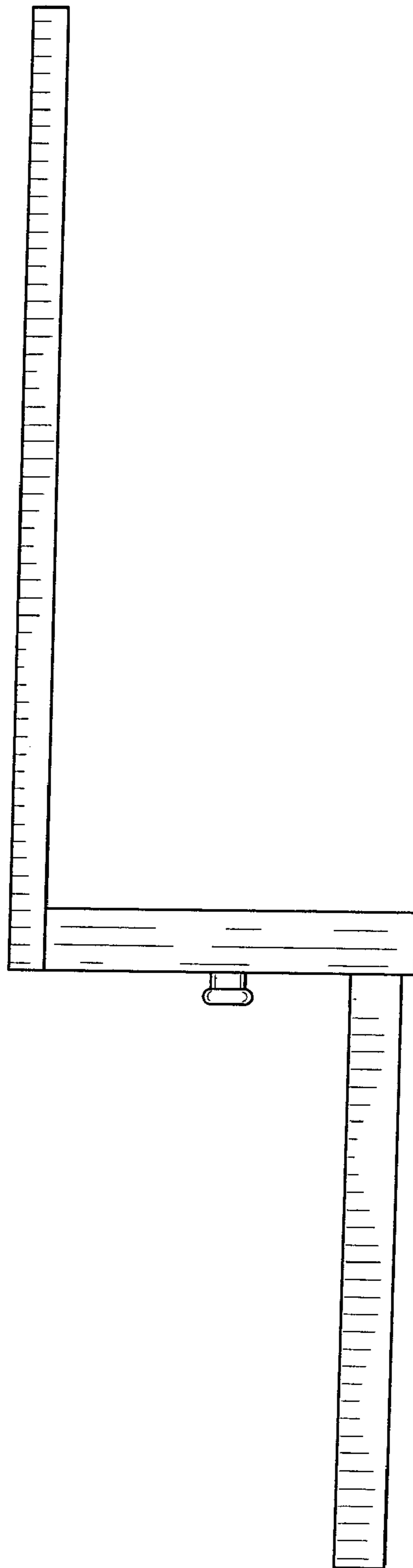


FIG. 3

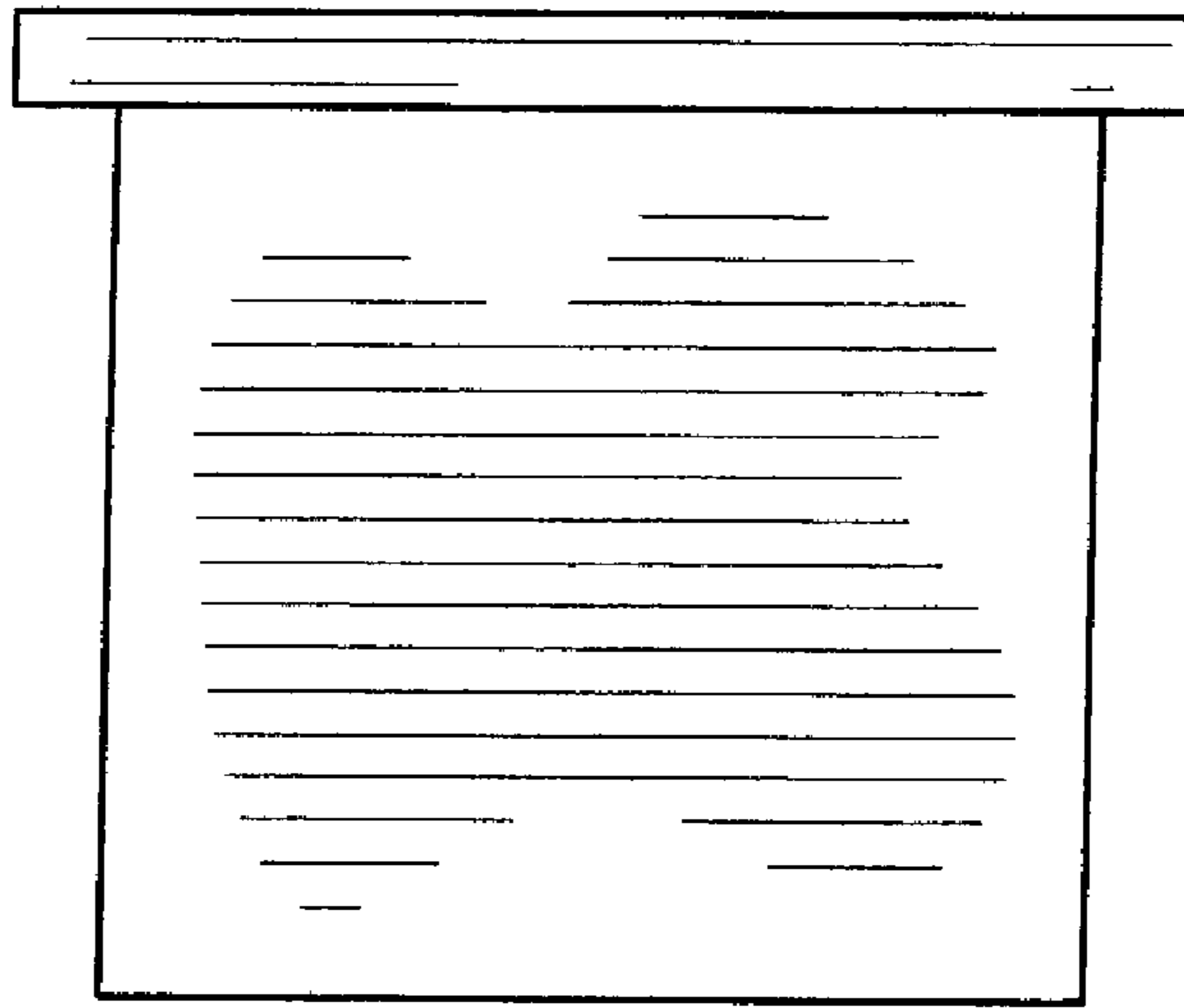


FIG. 4

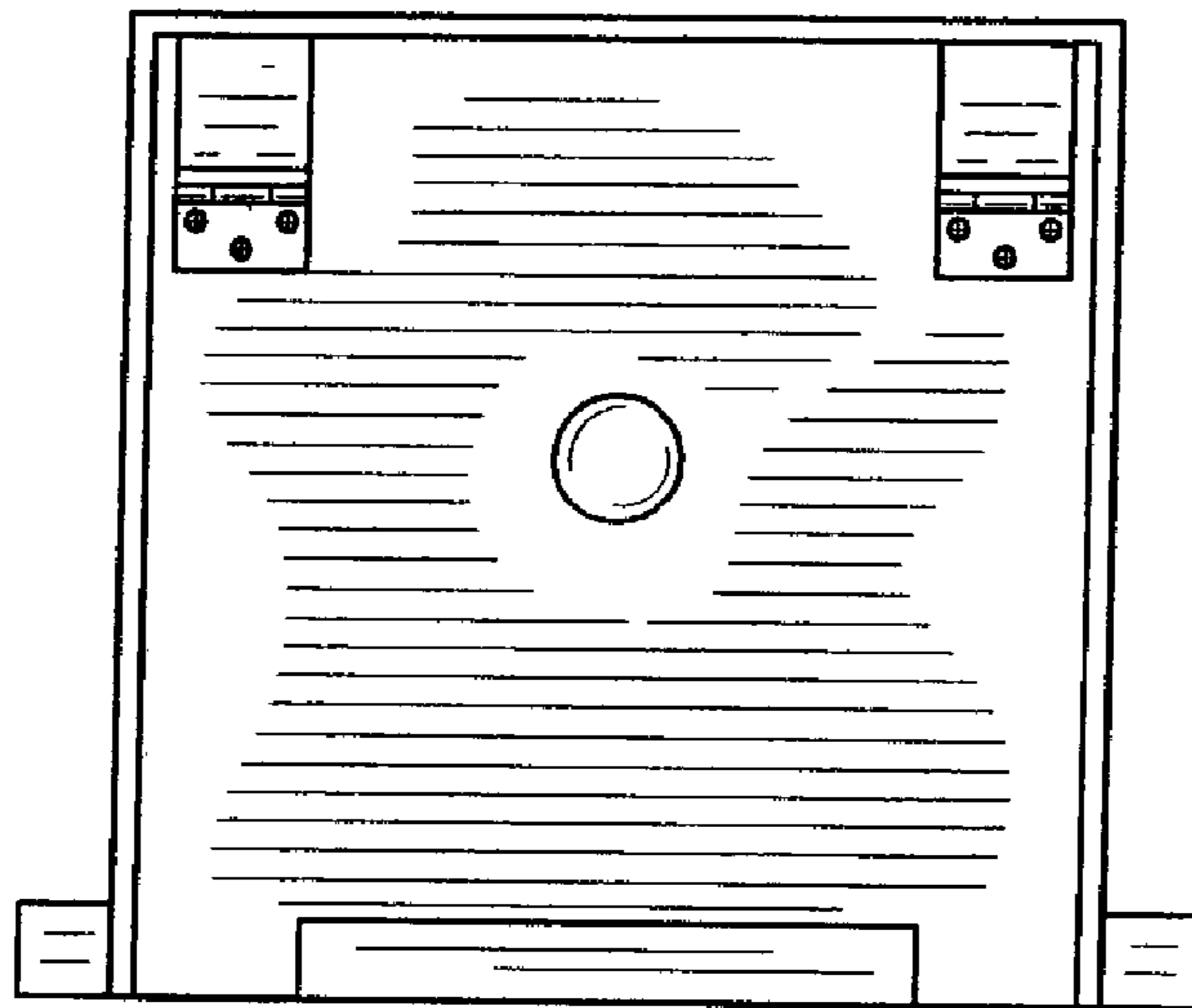


FIG. 5

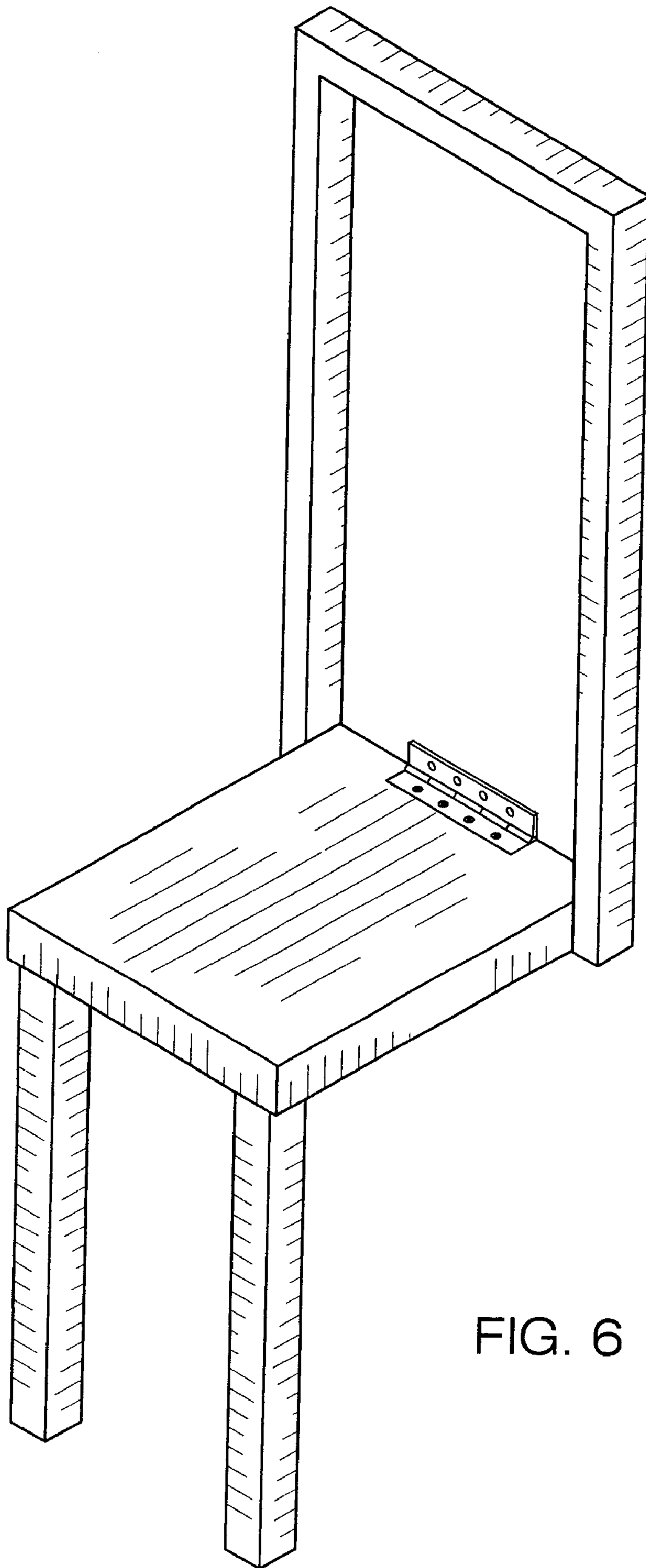


FIG. 6

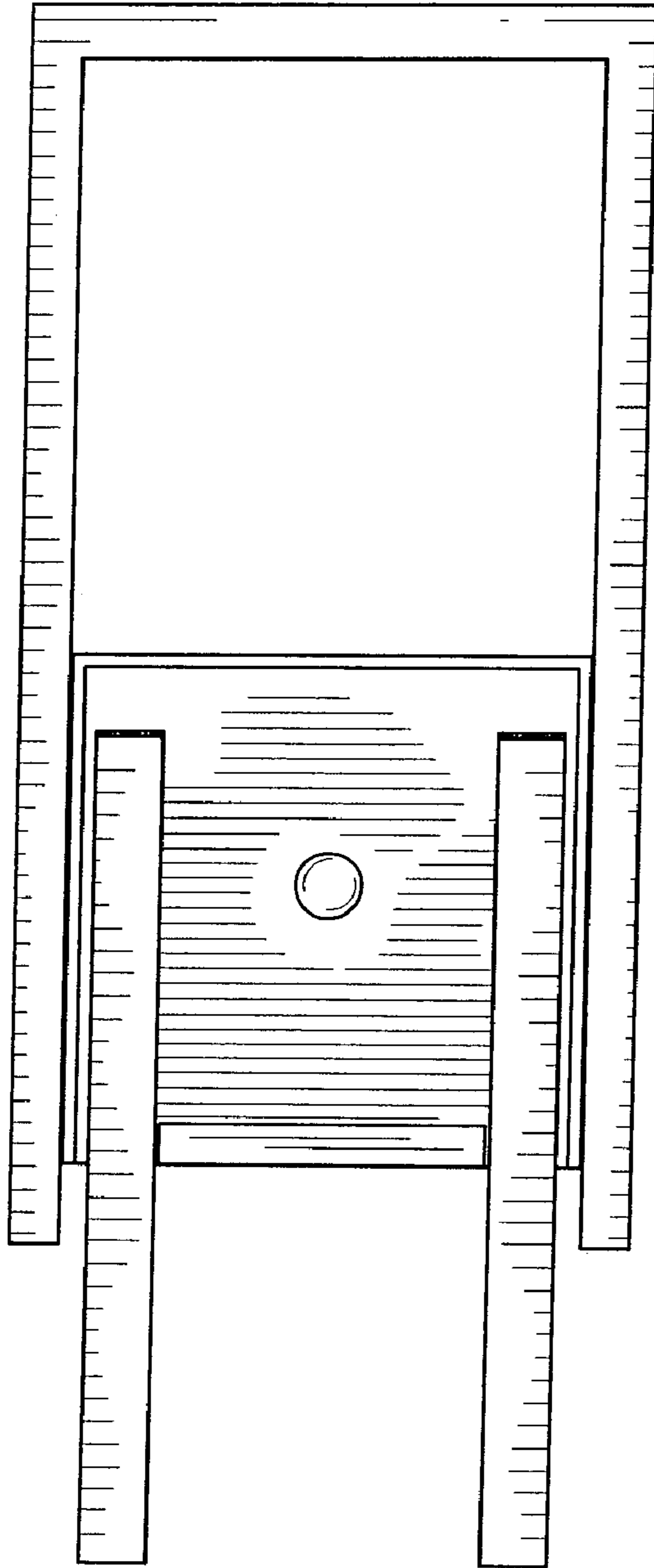


FIG. 7

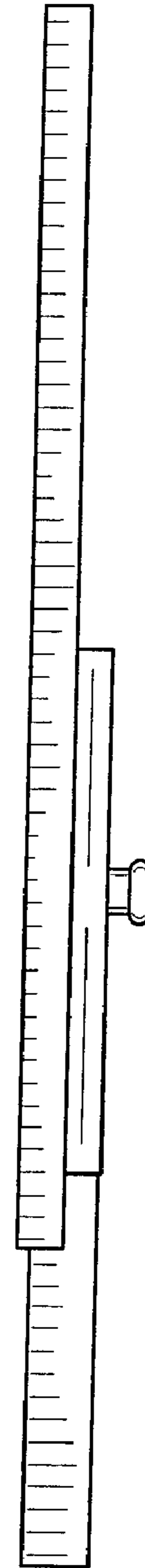


FIG. 8

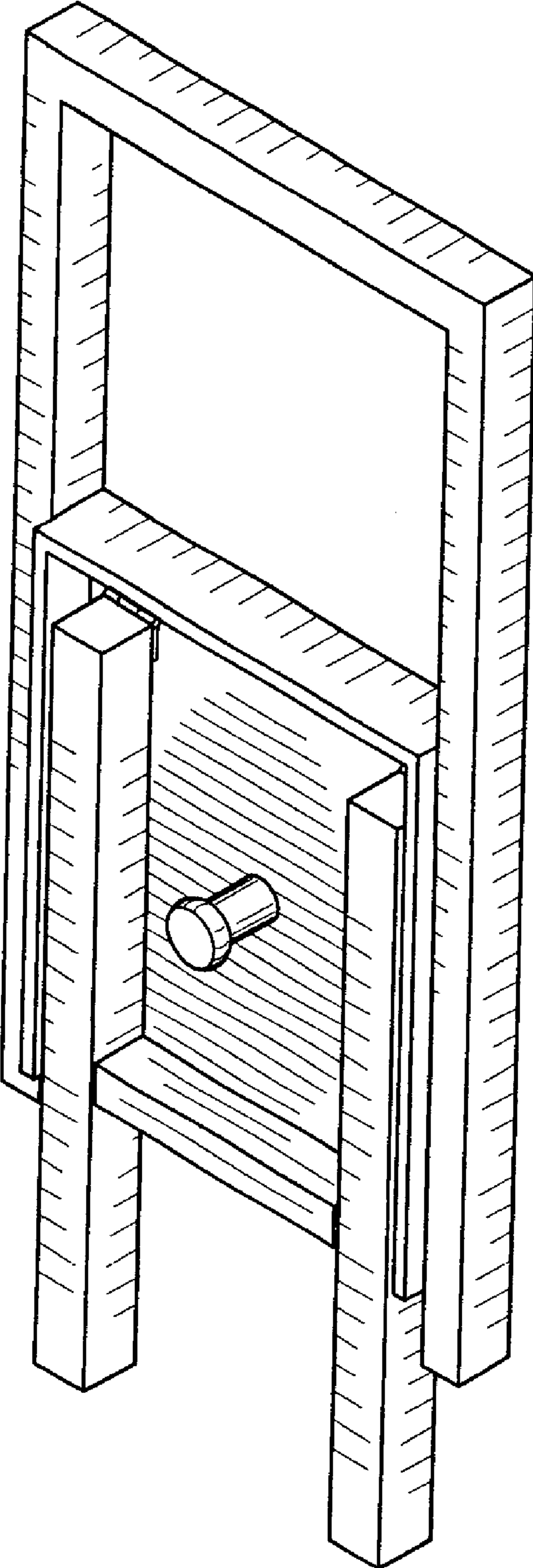


FIG. 9