



US00D527917S

(12) **United States Design Patent**
McHugh

(10) **Patent No.:** **US D527,917 S**

(45) **Date of Patent:** **** Sep. 12, 2006**

(54) **PRIVACY SCREEN**

(76) **Inventor:** **Tom McHugh**, 4137 Hillcrest Dr.,
Madison, WI (US) 53705

(**) **Term:** **14 Years**

(21) **Appl. No.:** **29/193,090**

(22) **Filed:** **Nov. 3, 2003**

(51) **LOC (8) Cl.** **06-06**

(52) **U.S. Cl.** **D6/332**

(58) **Field of Classification Search** D6/332,
D6/421; 135/128, 87, 118, 902; 160/135,
160/327, 24; 52/239; 256/26; D25/58; D3/5
See application file for complete search history.

(56) **References Cited**

U.S. PATENT DOCUMENTS

2,208,458	A	*	7/1940	Julian et al.	135/87
2,576,384	A	*	11/1951	Bentley	160/135
2,982,290	A	*	5/1961	Hunziker	135/128
3,187,761	A	*	6/1965	De Maio	135/118
3,620,378	A	*	11/1971	Sweeney	211/205
4,838,525	A	*	6/1989	Snow et al.	256/26

5,379,786	A	*	1/1995	Lynam	135/87
5,394,927	A	*	3/1995	Huebner	160/327
5,875,597	A	*	3/1999	Gingrich et al.	52/239
D414,878	S	*	10/1999	Byrne	D25/58
D481,886	S	*	11/2003	Fahnstrom et al.	D6/421
6,807,999	B1	*	10/2004	Bowen et al.	160/24

* cited by examiner

Primary Examiner—Sandra S. Snapp

(74) *Attorney, Agent, or Firm*—Quarles & Brady LLP

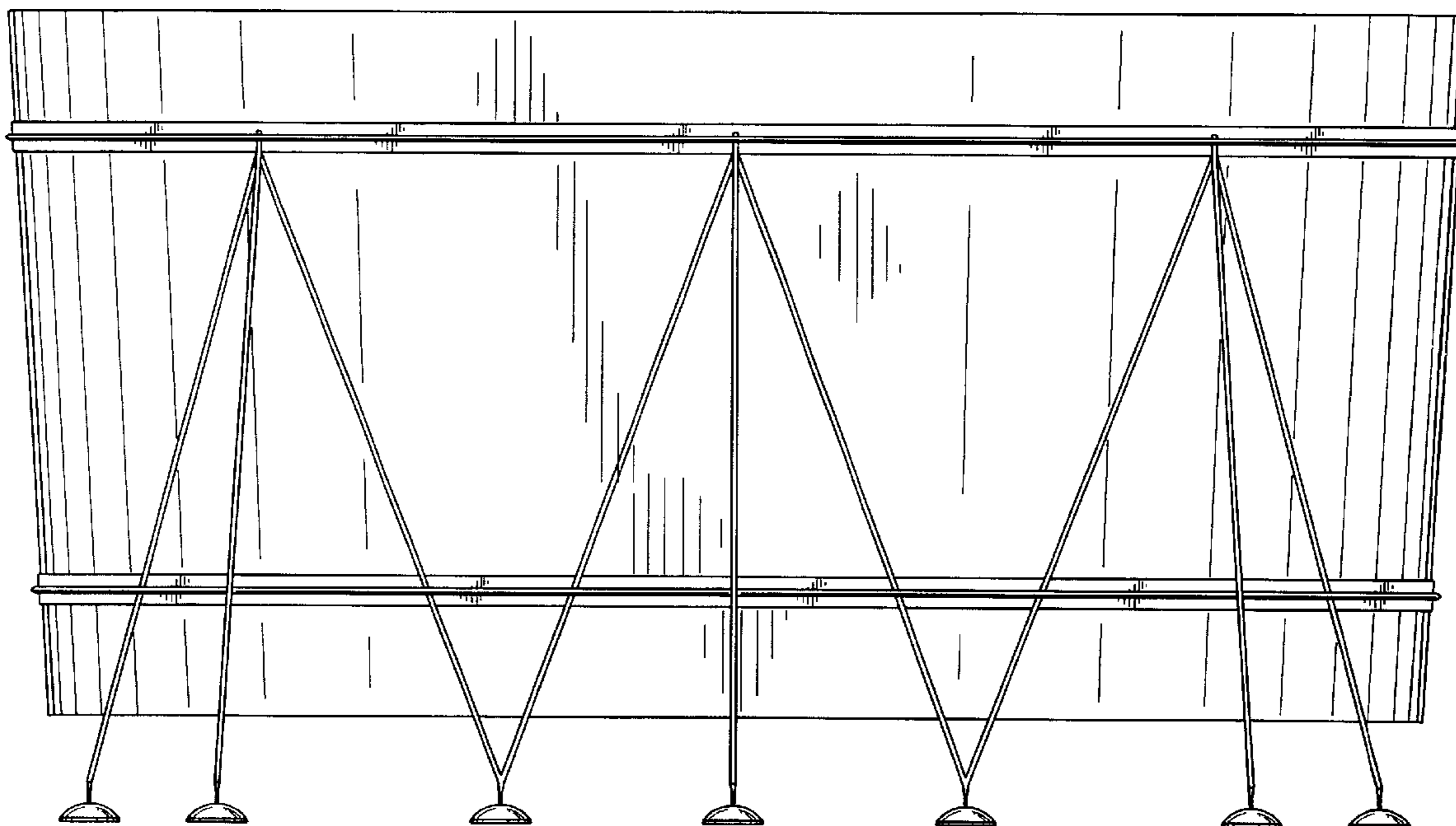
(57) **CLAIM**

The ornamental design for a privacy screen, as shown and described.

DESCRIPTION

FIG. 1 is a bottom view of a design for the claimed privacy screen according to the invention;
FIG. 2 is a top view of the screen of FIG. 1;
FIG. 3 is a front elevation view of the screen of FIG. 1;
FIG. 4 is a rear elevation view of the screen of FIG. 1;
FIG. 5 is a left side elevation view of the screen of FIG. 1;
and,
FIG. 6 is a right side elevation view of the screen of FIG. 1.

1 Claim, 6 Drawing Sheets



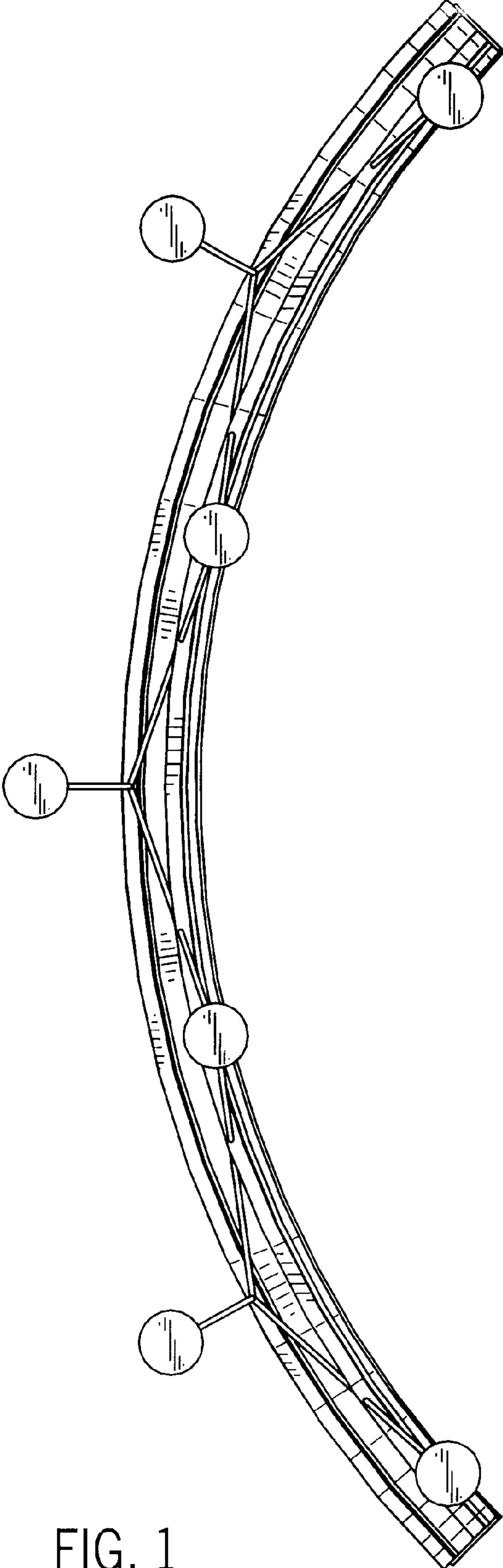


FIG. 1

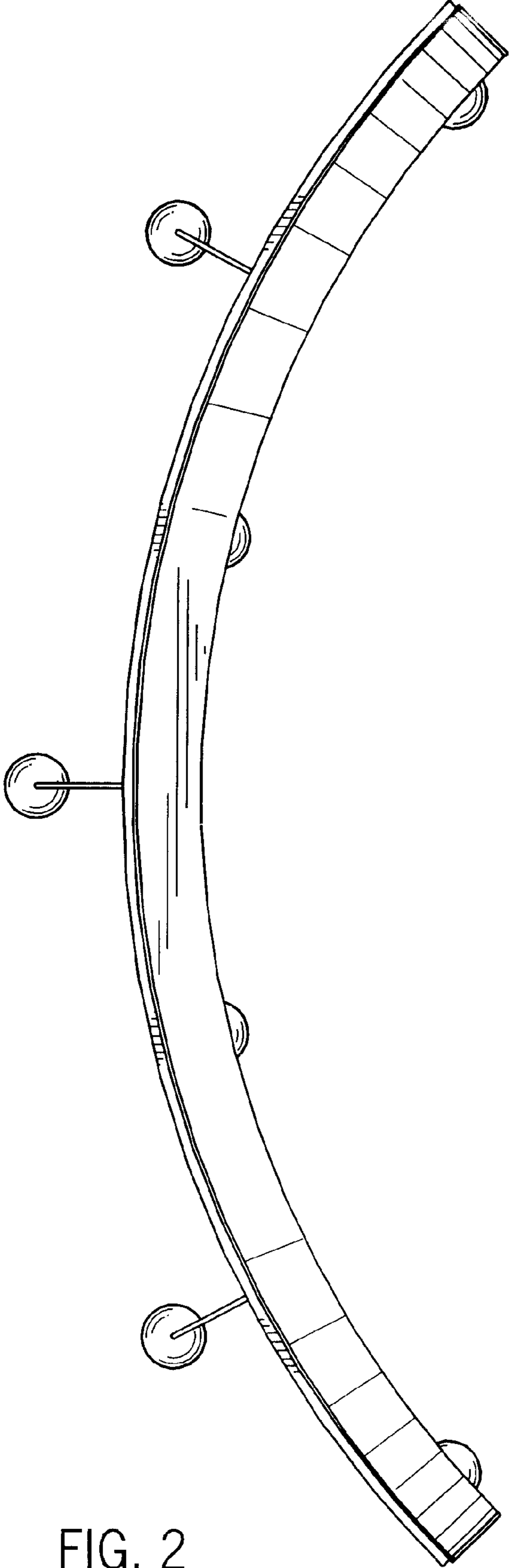


FIG. 2

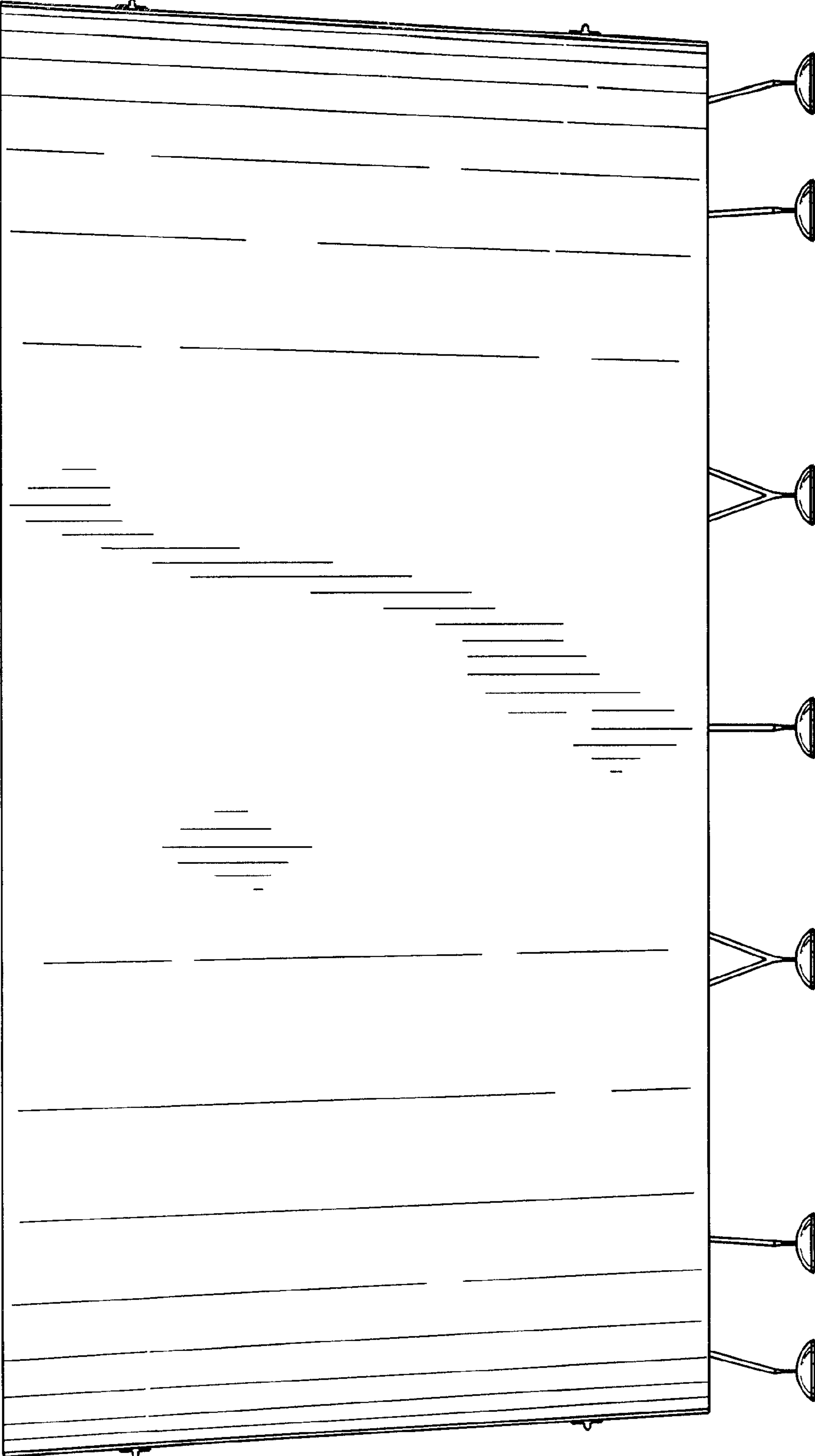


FIG. 3

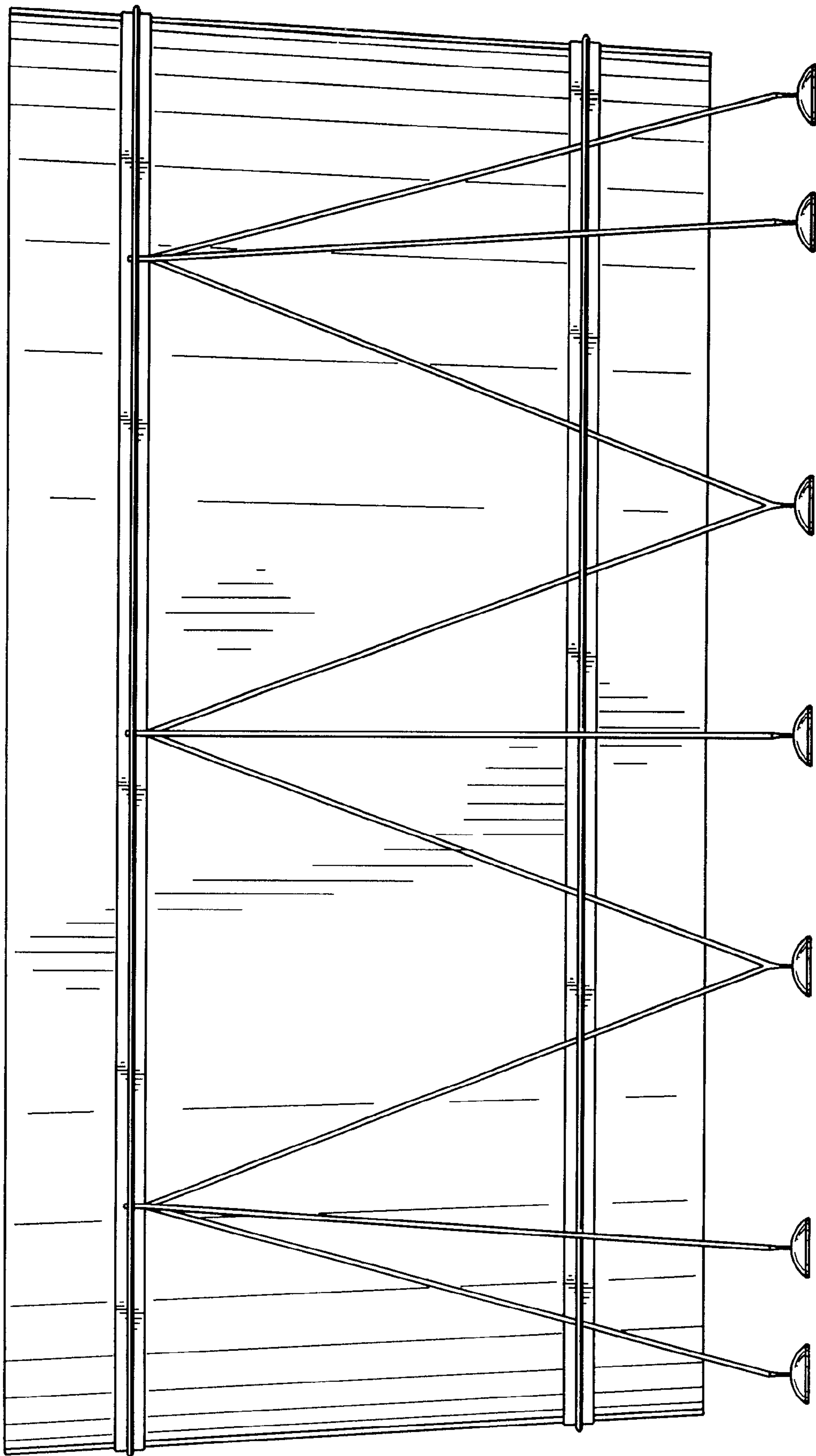


FIG. 4

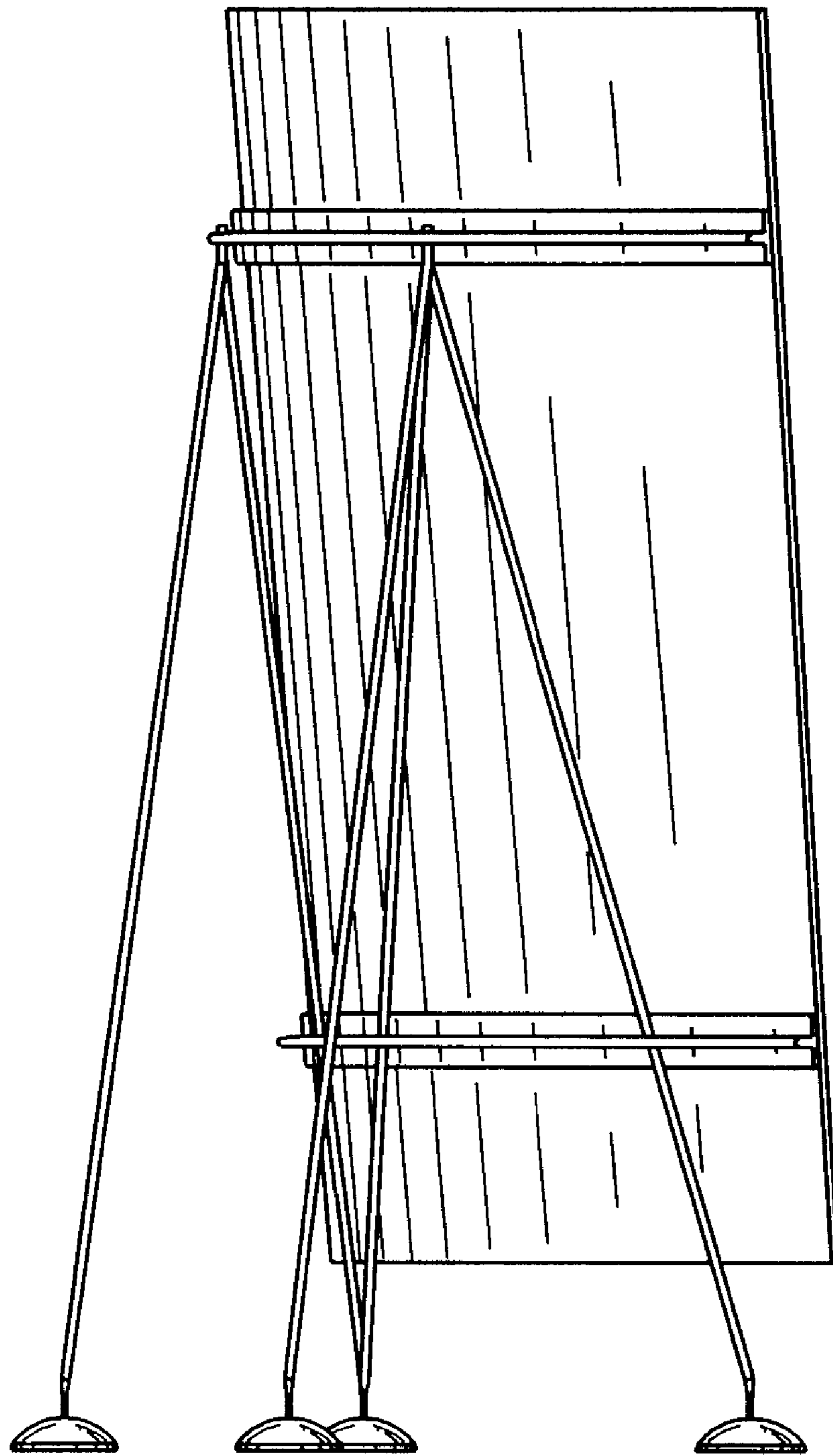


FIG. 5

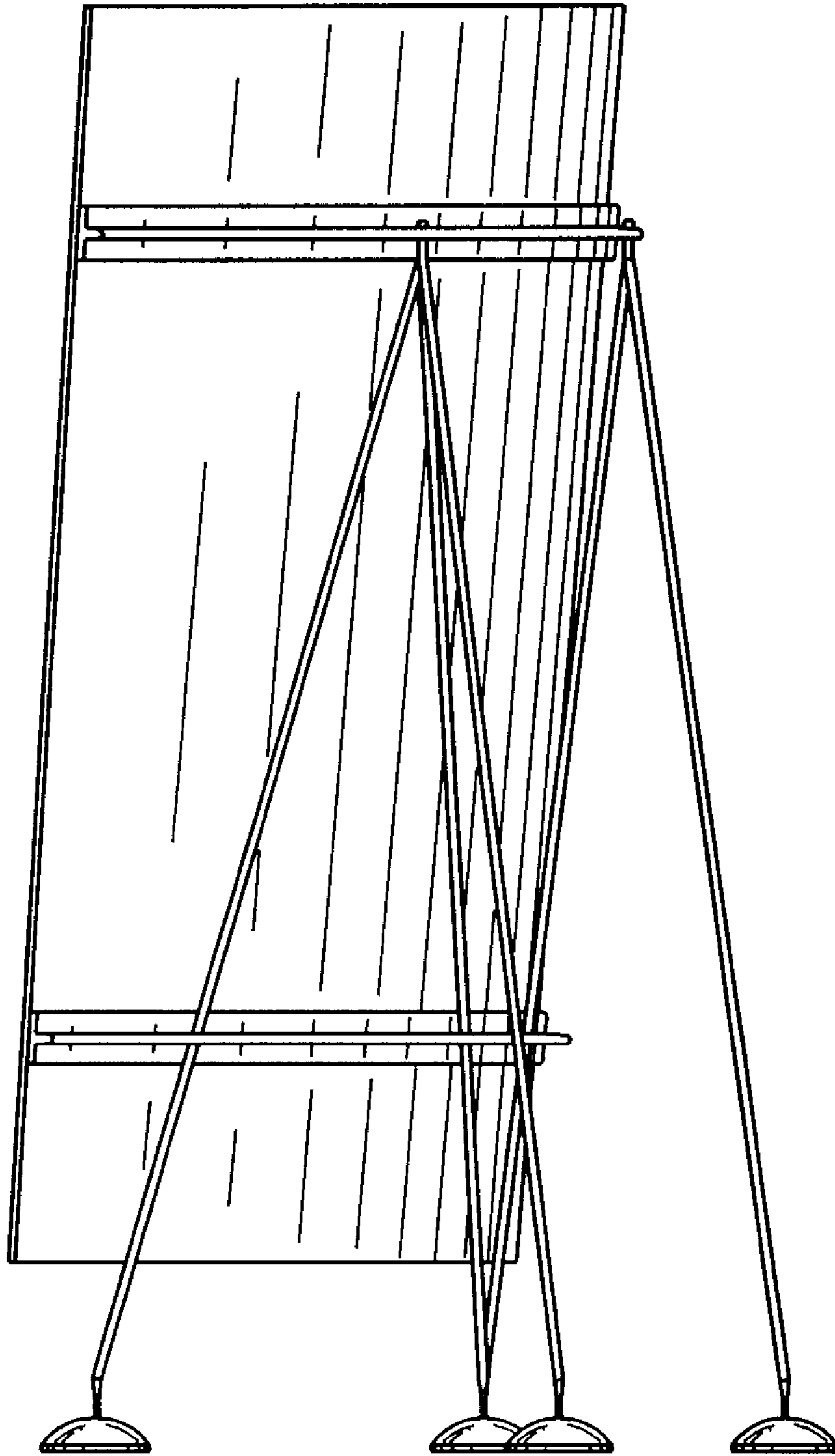


FIG. 6