



US00D527913S

(12) **United States Design Patent**
Frazier

(10) **Patent No.:** **US D527,913 S**

(45) **Date of Patent:** **** Sep. 12, 2006**

(54) **PICTURE STAND**

(76) Inventor: **Carla D. Frazier**, 4405 Ridgewood Ave., Columbia, SC (US) 29203

(**) Term: **14 Years**

(21) Appl. No.: **29/242,952**

(22) Filed: **Nov. 16, 2005**

Related U.S. Application Data

(62) Division of application No. 29/214,710, filed on Oct. 7, 2004.

(51) **LOC (8) Cl.** **06-07**

(52) **U.S. Cl.** **D6/300**

(58) **Field of Classification Search** D6/300-314;
40/200, 455, 700, 711, 714, 717, 720, 721,
40/725, 727, 738, 745, 761, 765, 766, 778,
40/780, 781, 786, 798

See application file for complete search history.

(56) **References Cited**

U.S. PATENT DOCUMENTS

| | | | | | | |
|-----------|----|---|---------|----------------|-------|----------|
| 2,916,841 | A | * | 12/1959 | Denis | | 40/716 |
| 4,970,742 | A | | 11/1990 | Keener | | |
| D341,958 | S | * | 12/1993 | Allred | | D6/406.4 |
| D356,352 | S | | 3/1995 | Johnson | | |
| D381,212 | S | | 7/1997 | Pagano | | |
| D435,360 | S | | 12/2000 | Gentile et al. | | |
| 6,367,760 | B1 | | 4/2002 | Pagano | | |
| D463,942 | S | * | 10/2002 | Stevko | | D6/601 |
| D485,018 | S | | 1/2004 | Beilman | | |

* cited by examiner

Primary Examiner—Janice E. Seeger
Assistant Examiner—Sydney Buffalow

(74) *Attorney, Agent, or Firm*—Nelson Mullins Riley & Scarborough LLP

(57) **CLAIM**

The ornamental design of a picture stand substantially, as shown and described.

DESCRIPTION

FIG. 1 is a perspective view of the design of the present invention.

FIG. 2 is a front elevation view of the design illustrated in FIG. 1.

FIG. 3 is a rear elevation view of the design illustrated in FIG. 1.

FIG. 4 is a top plan view of the design illustrated in FIG. 1.

FIG. 5 is a bottom view of the design illustrated in FIG. 1.

FIG. 6 is a left side elevation view of the design illustrated in FIG. 1.

FIG. 7 is a right side elevation view of the design illustrated in FIG. 1.

FIG. 8 is a perspective view of the design of the present invention according to a second embodiment.

FIG. 9 is a front elevation view of the design illustrated in FIG. 8.

FIG. 10 is a rear elevation view of the design illustrated in FIG. 8.

FIG. 11 is a top plan view of the design illustrated in FIG. 8.

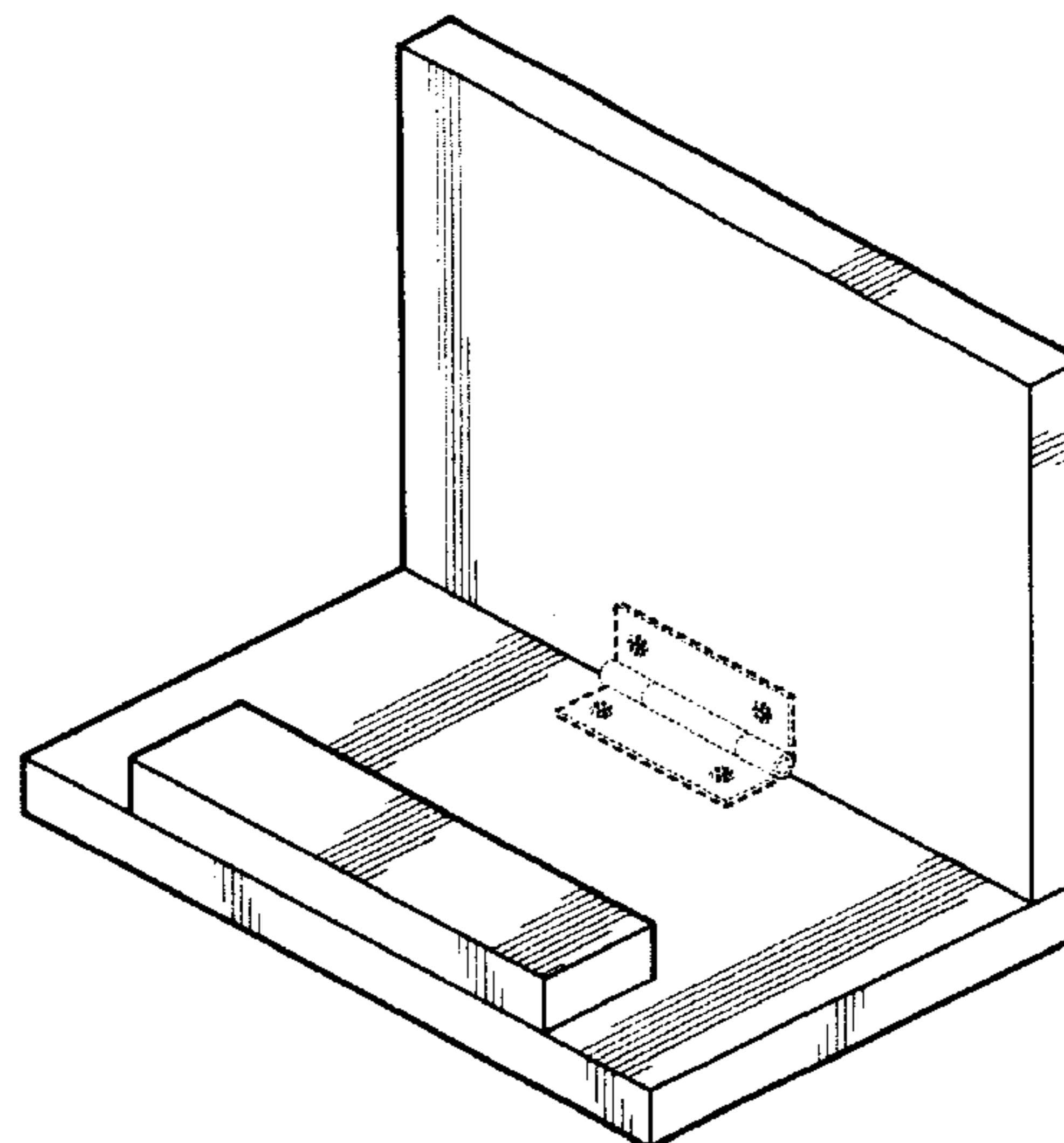
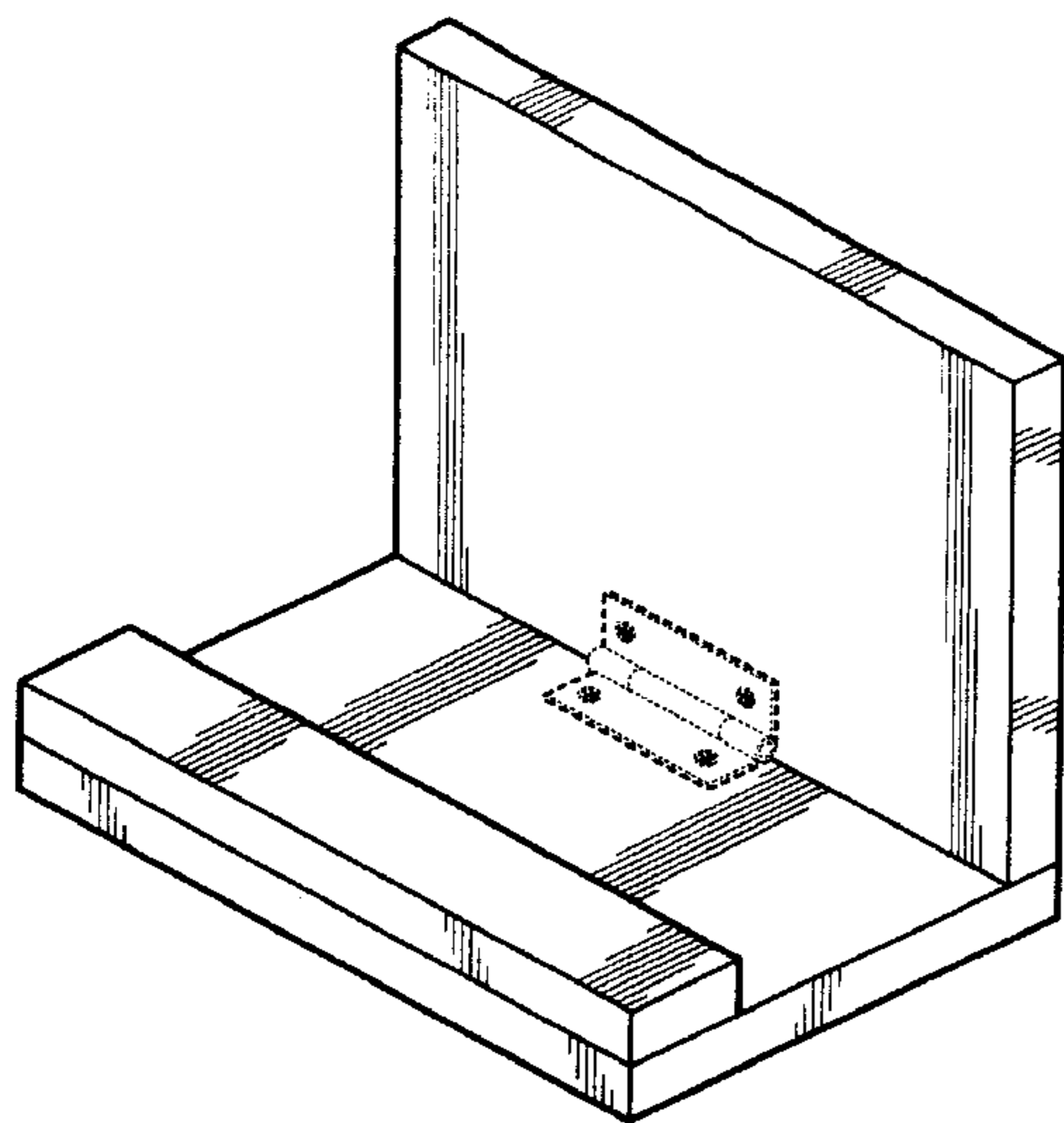
FIG. 12 is a bottom view of the design illustrated in FIG. 8.

FIG. 13 is a left side elevation view of the design illustrated in FIG. 8; and,

FIG. 14 is a right side elevation view of the design illustrated in FIG. 8.

The hinge shown in broken lines forms no part of the claimed design.

1 Claim, 6 Drawing Sheets



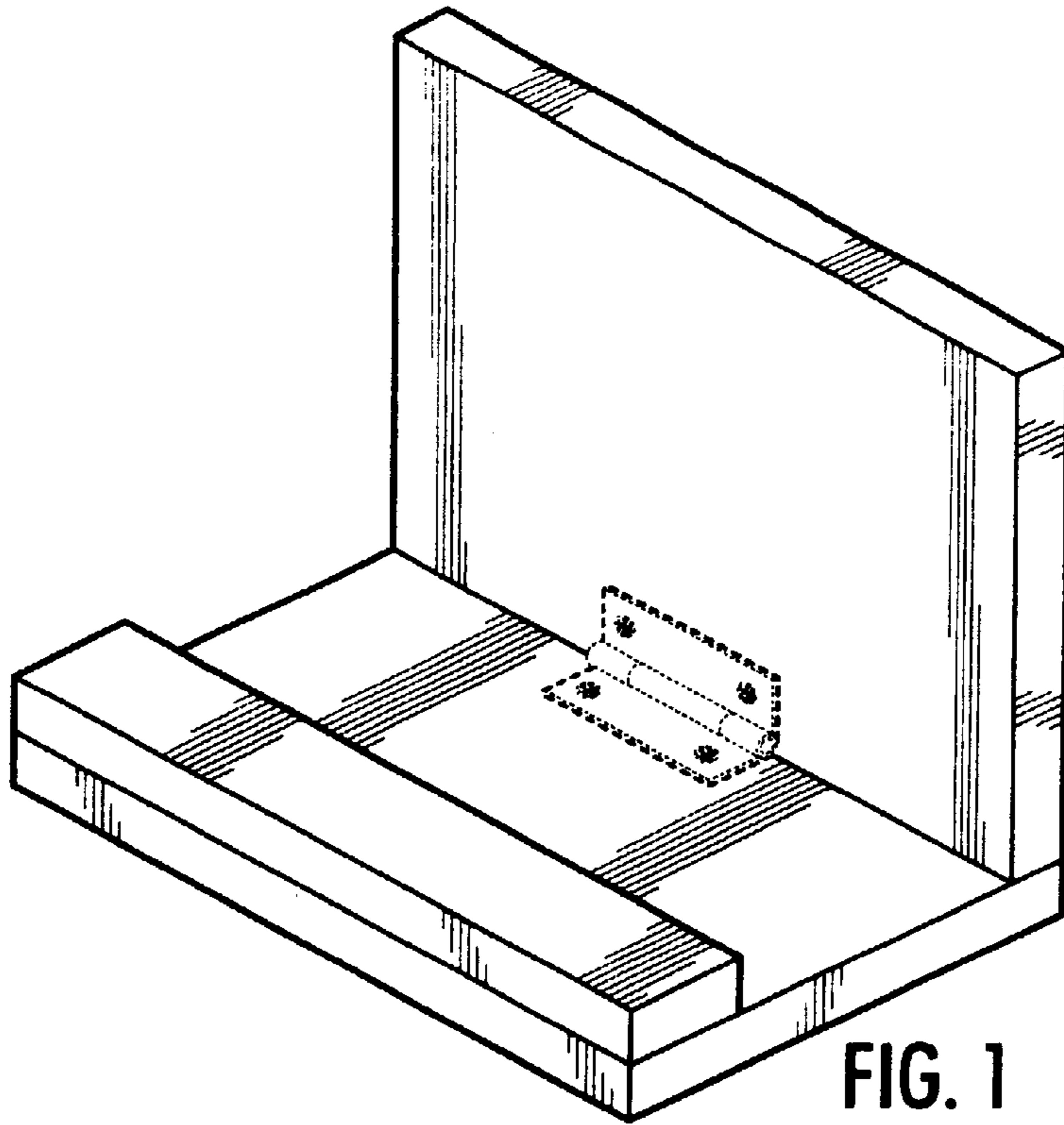
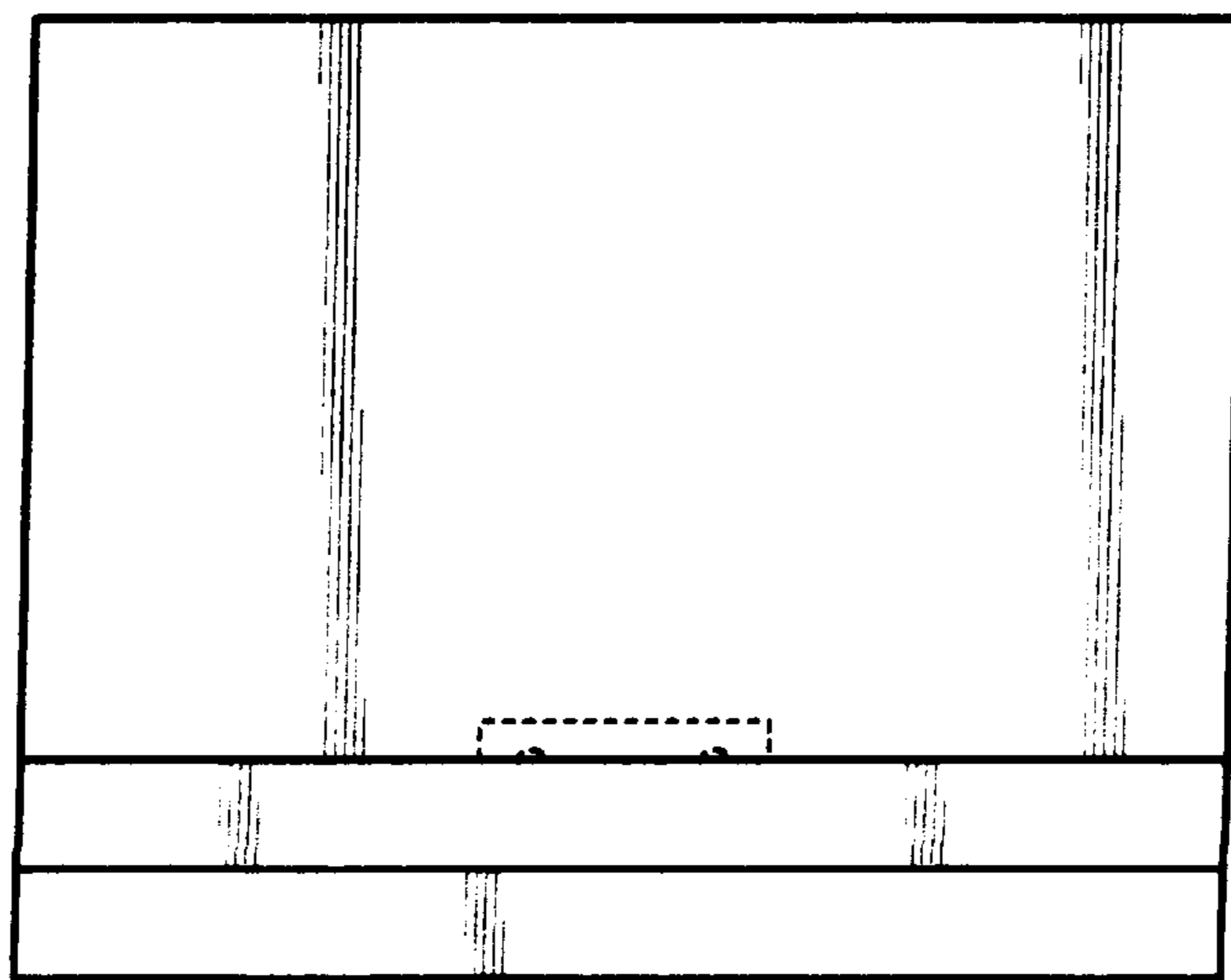


FIG. 2



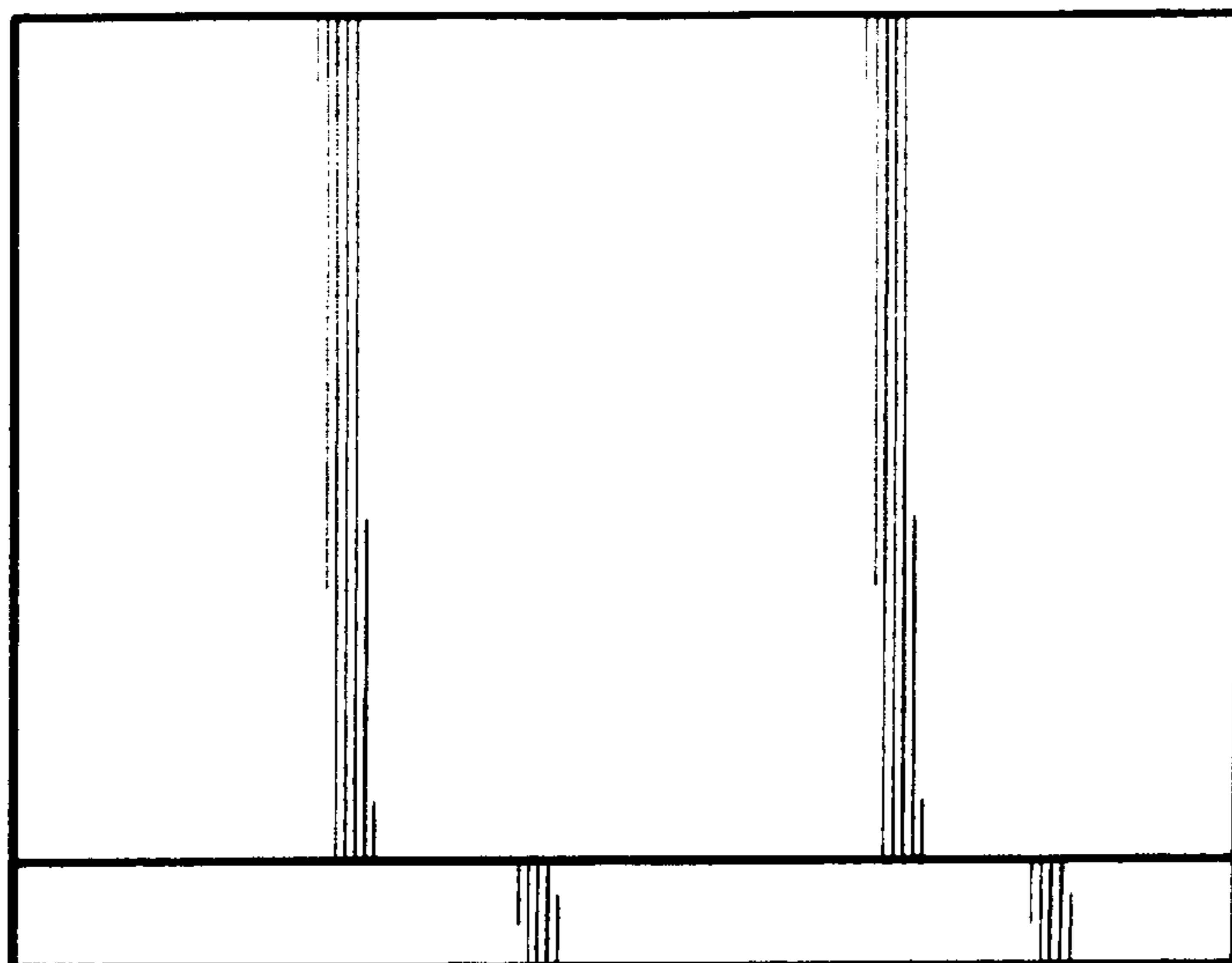


FIG. 3

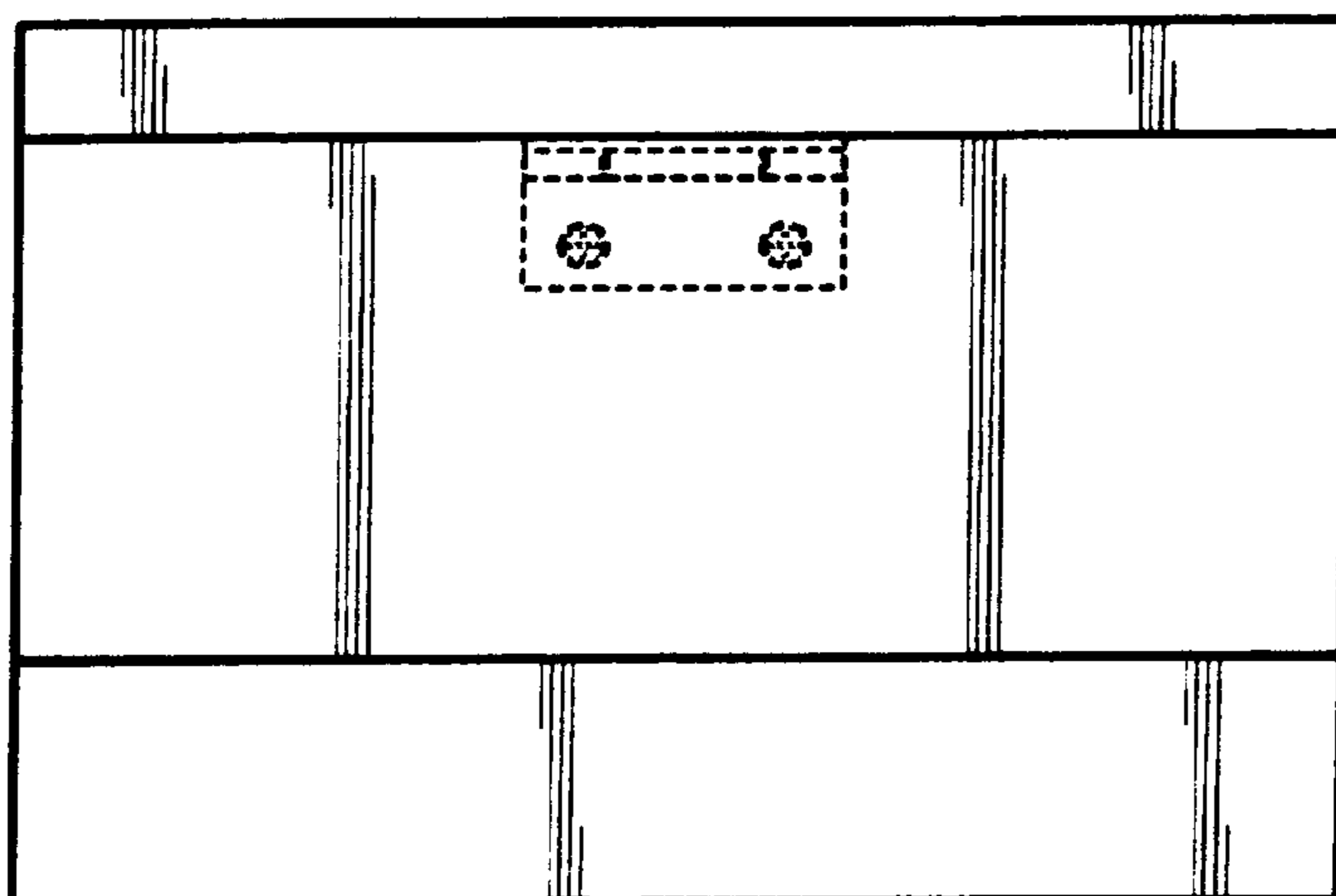


FIG. 4

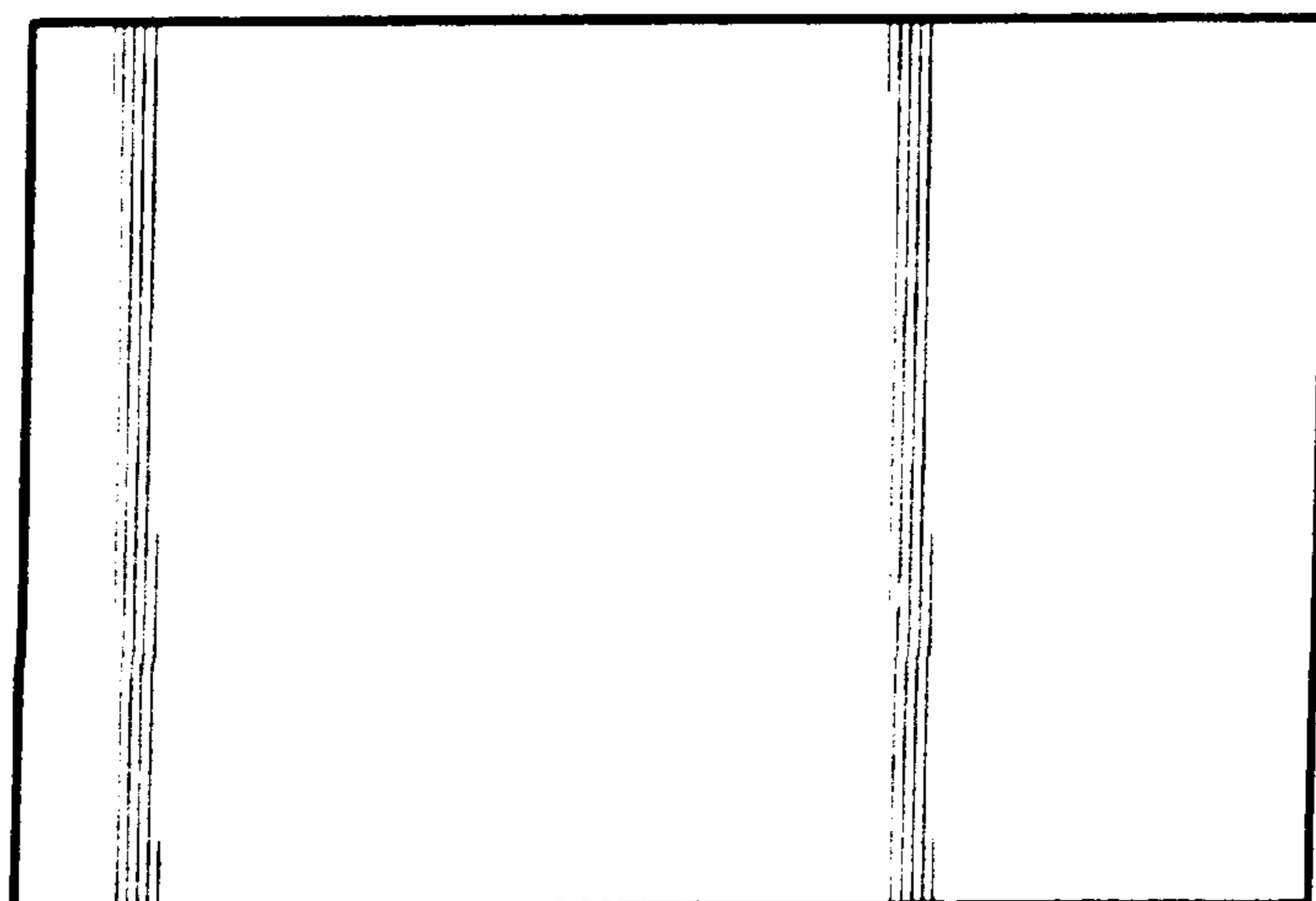


FIG. 5

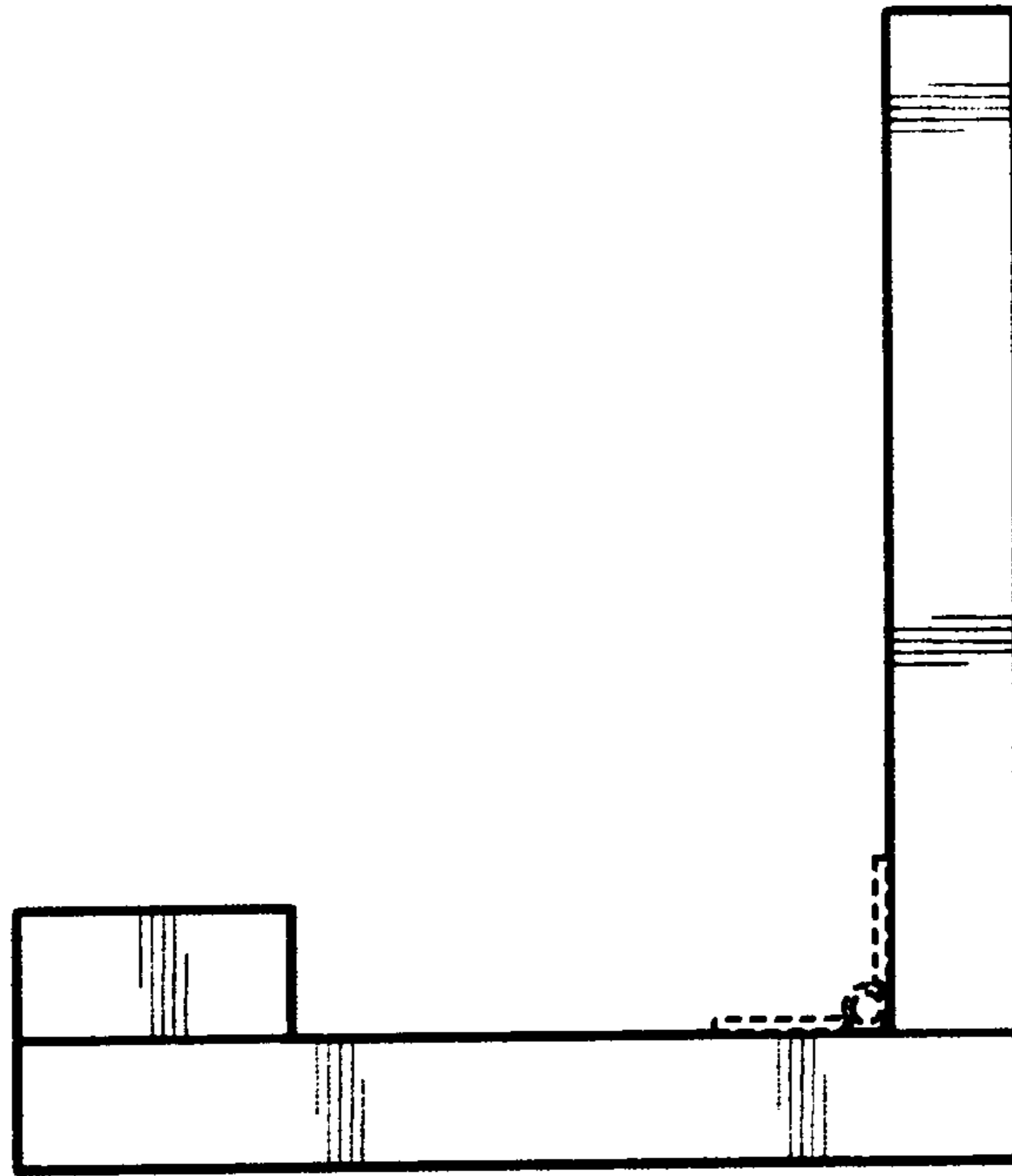


FIG. 6

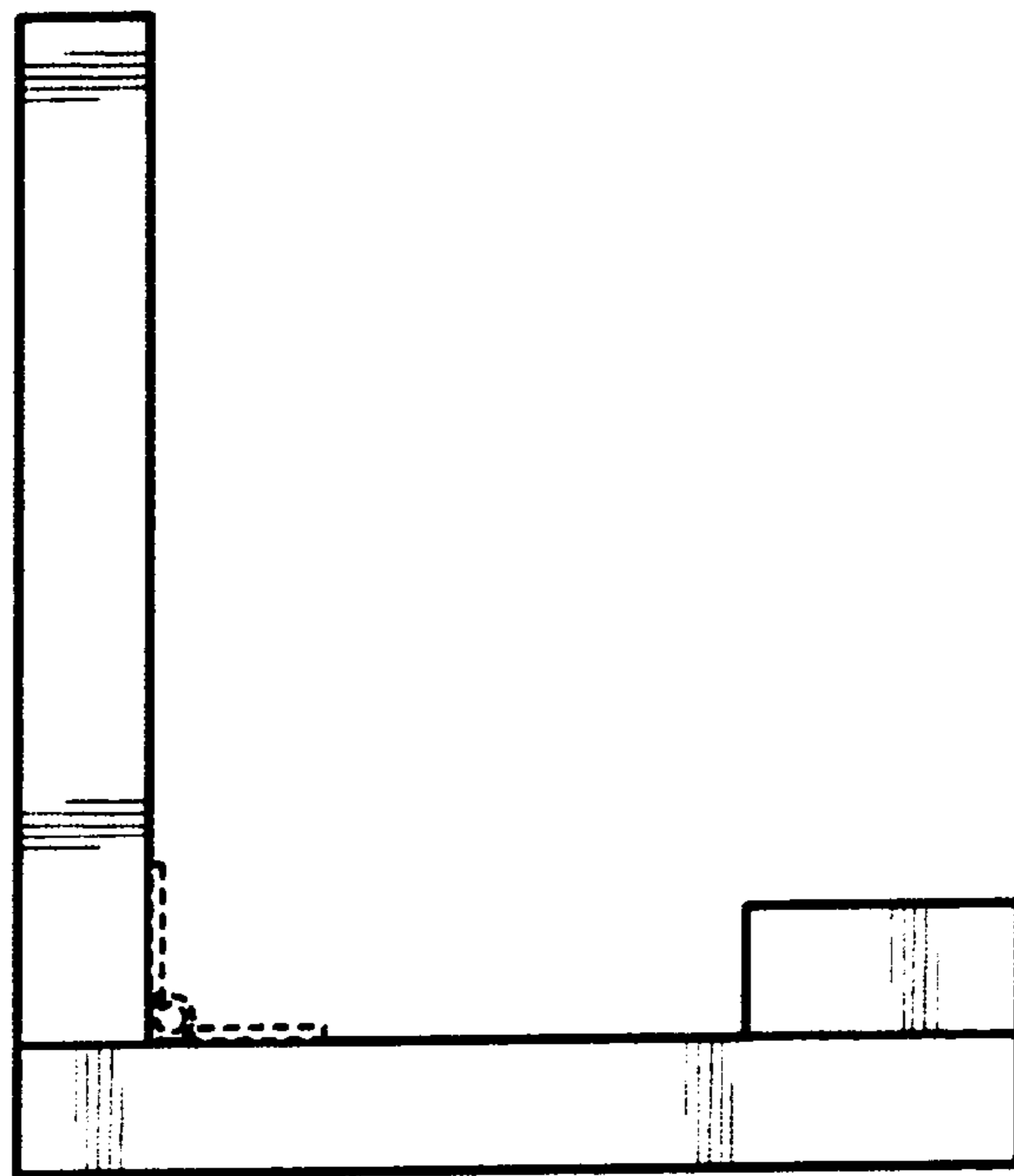
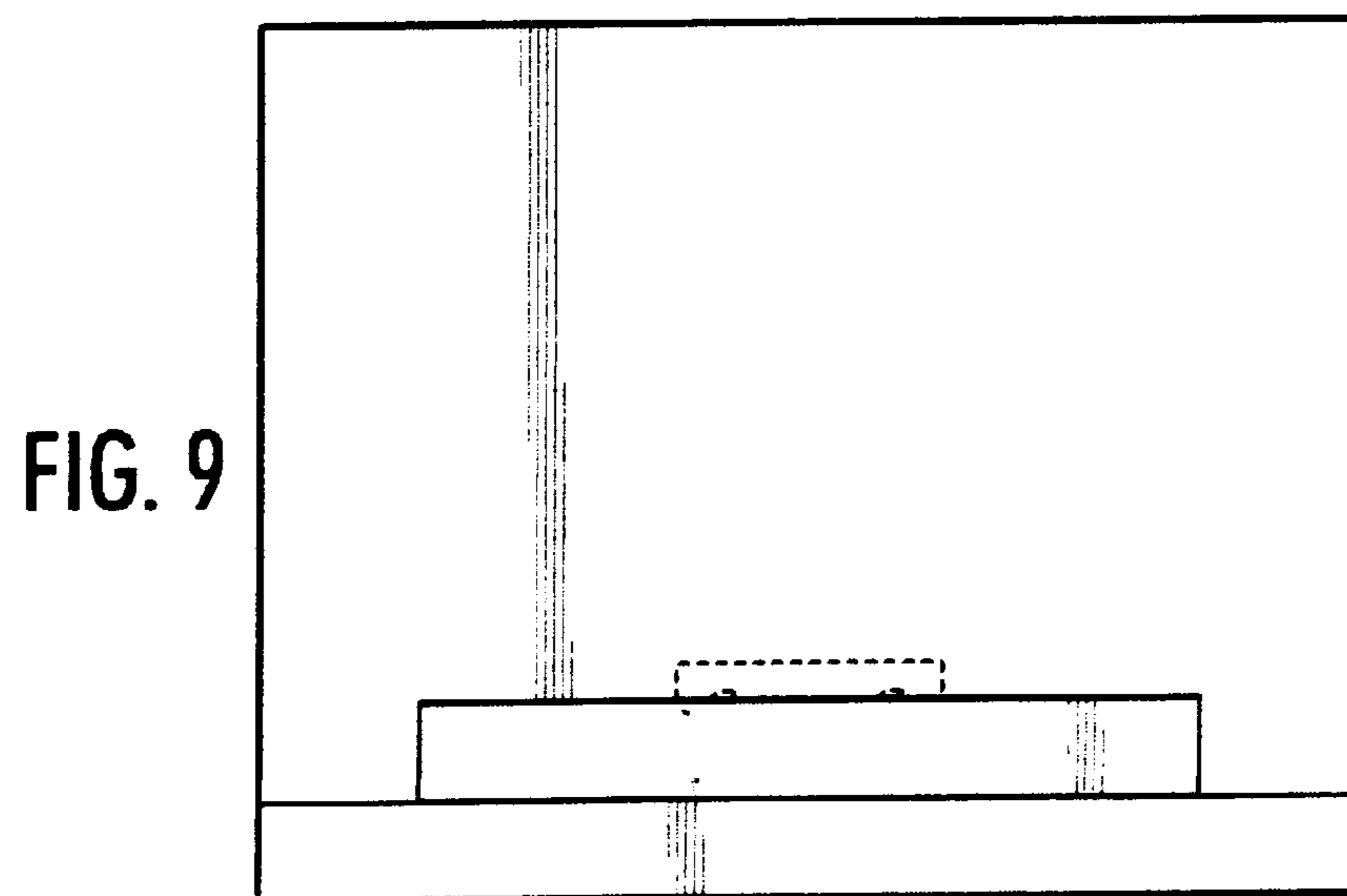
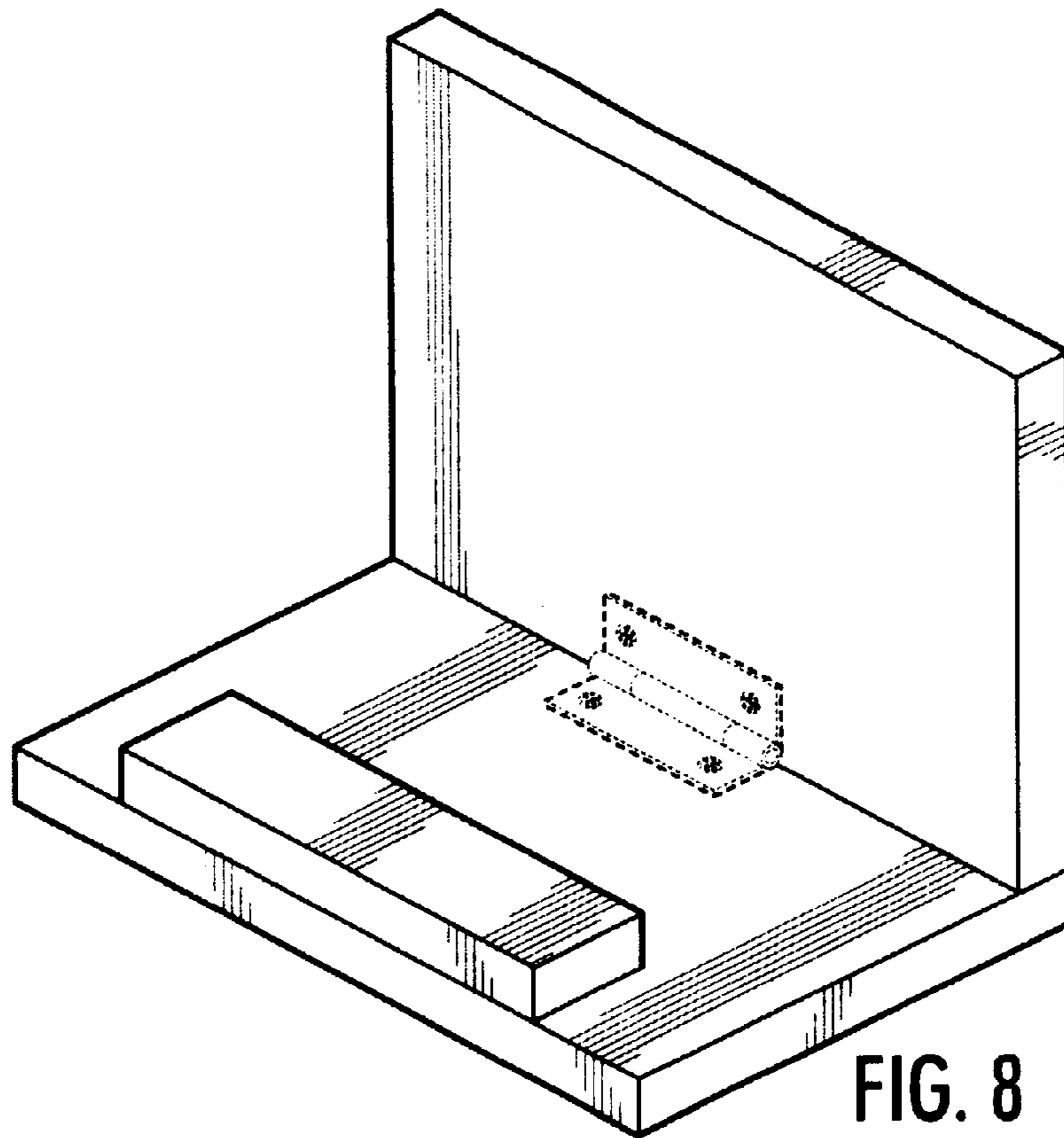


FIG. 7



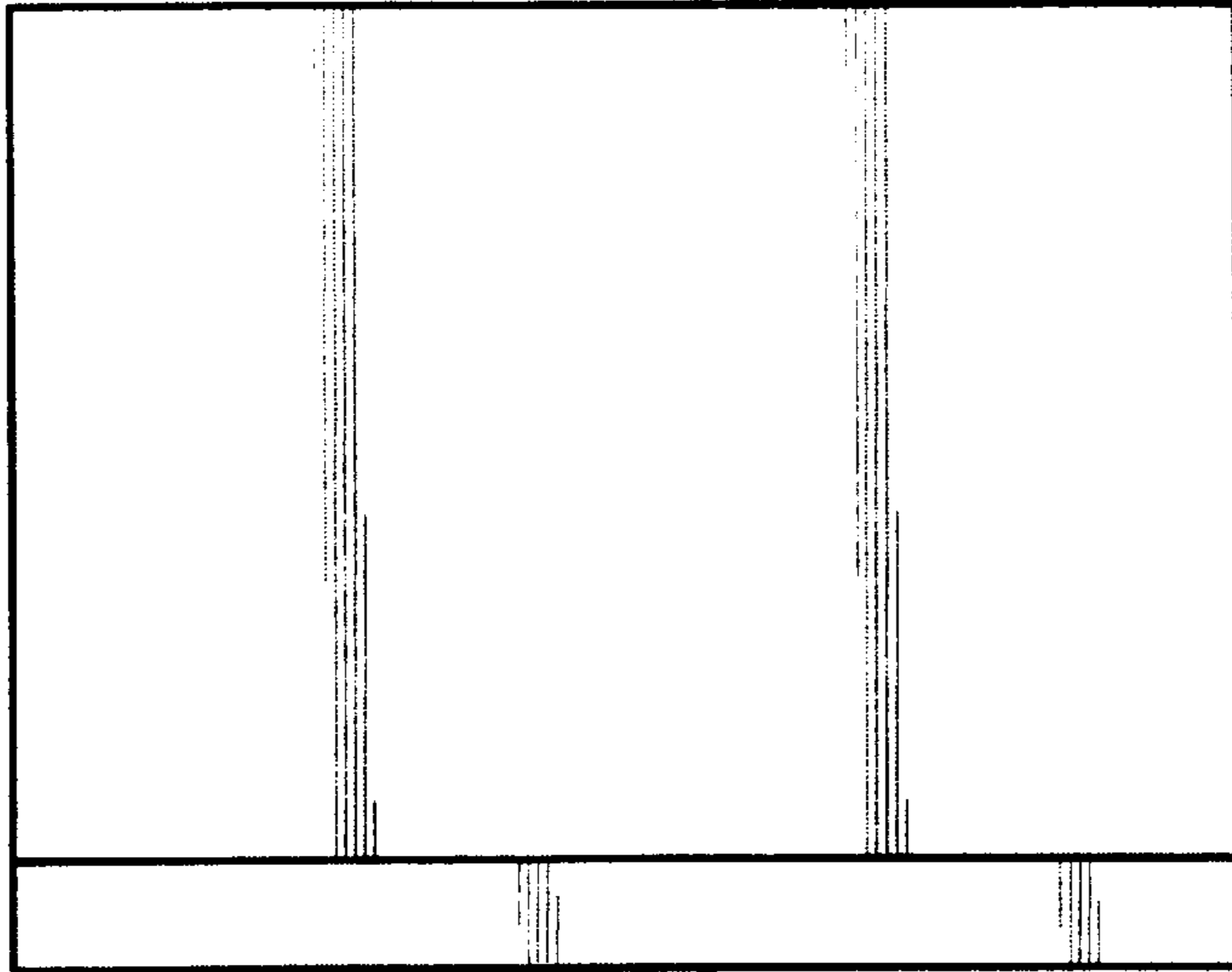


FIG. 10

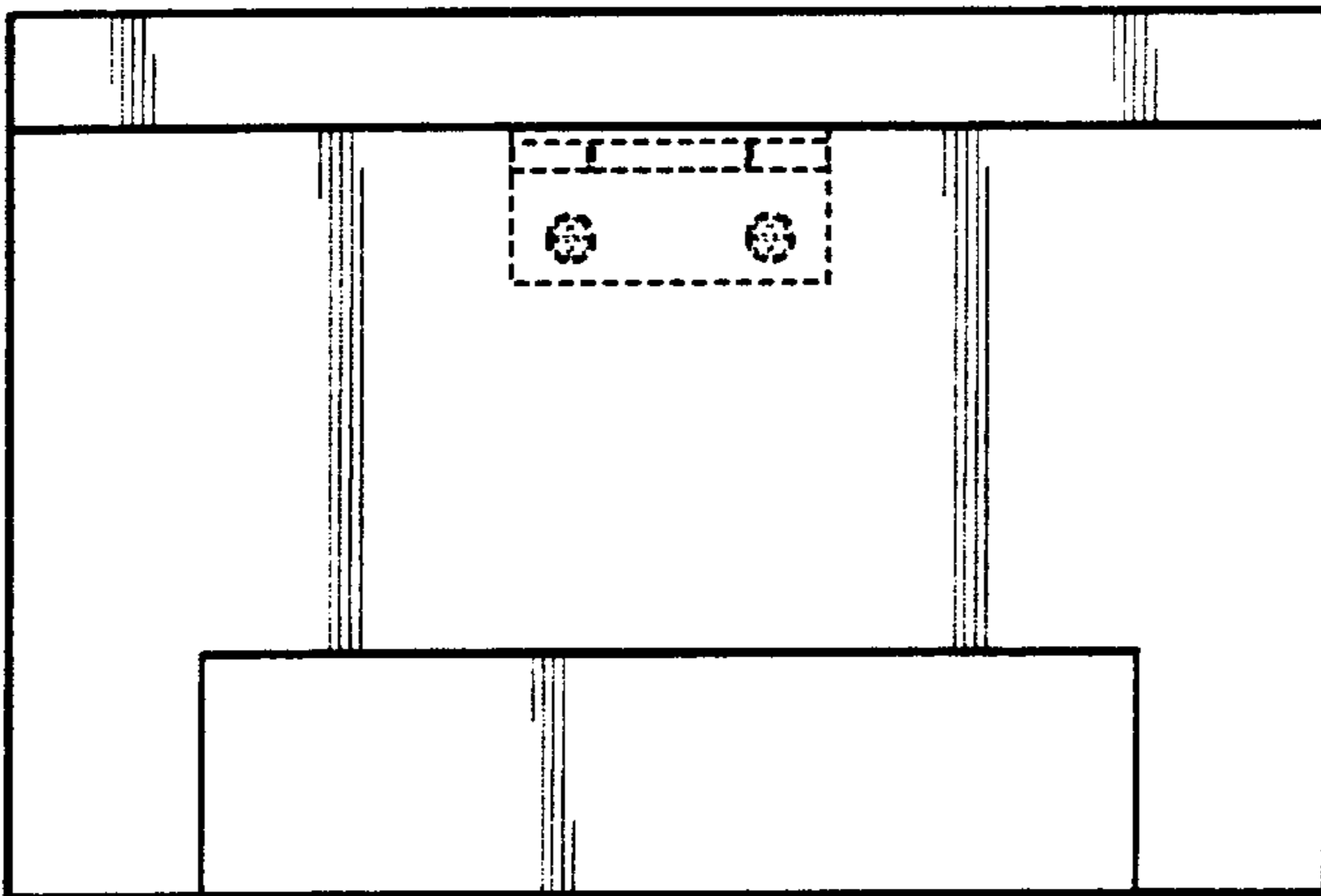


FIG. 11

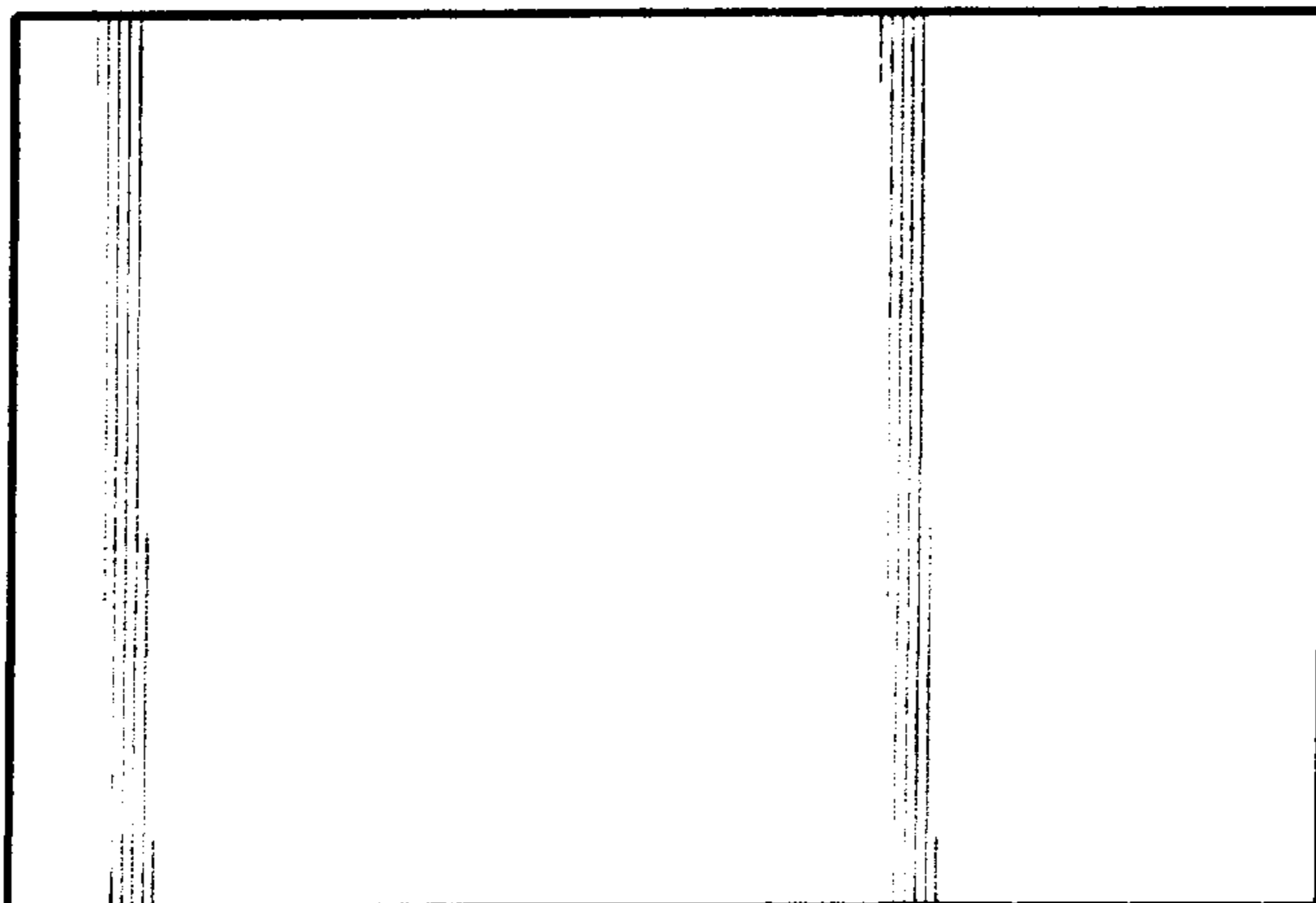


FIG. 12

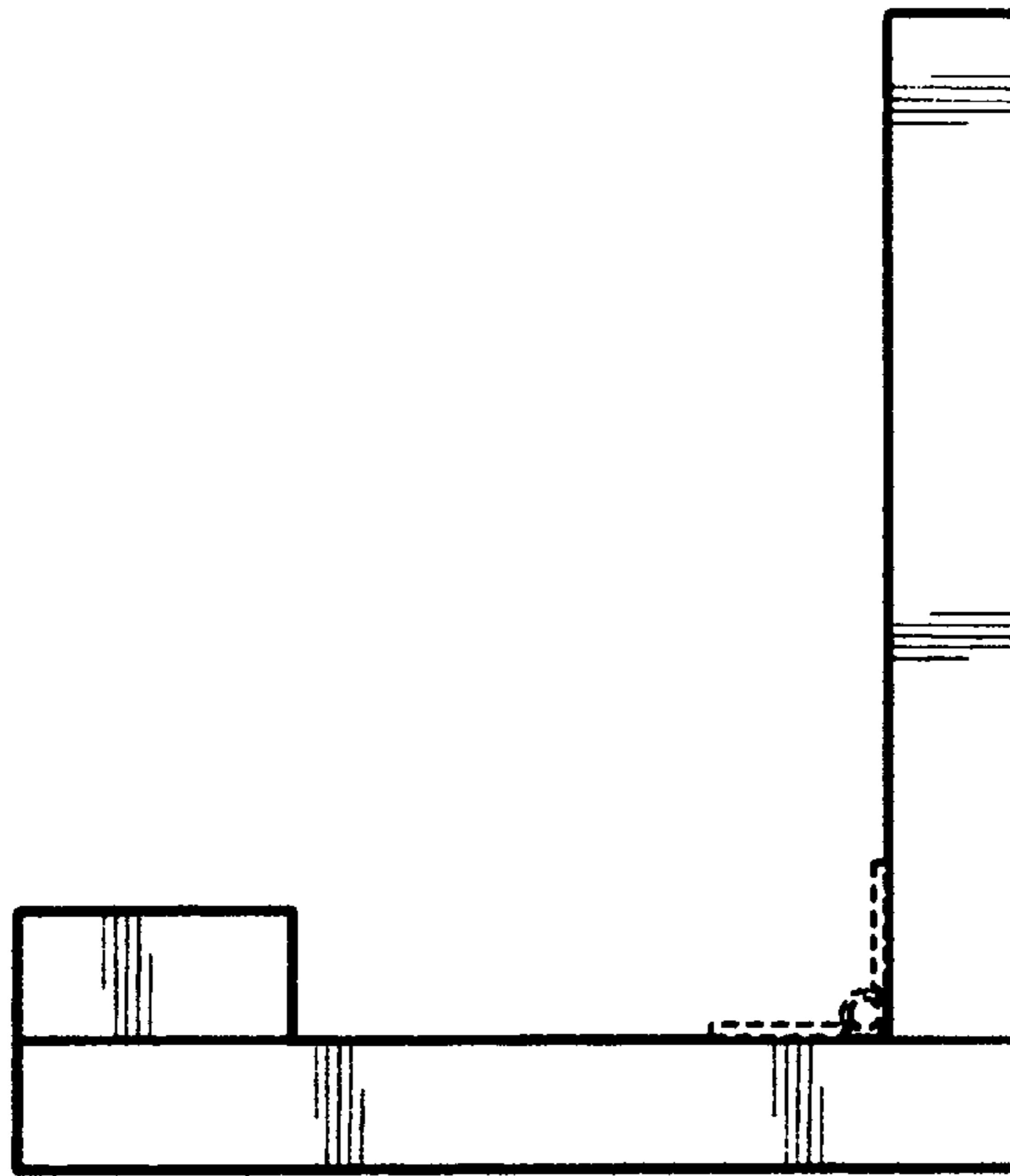


FIG. 13

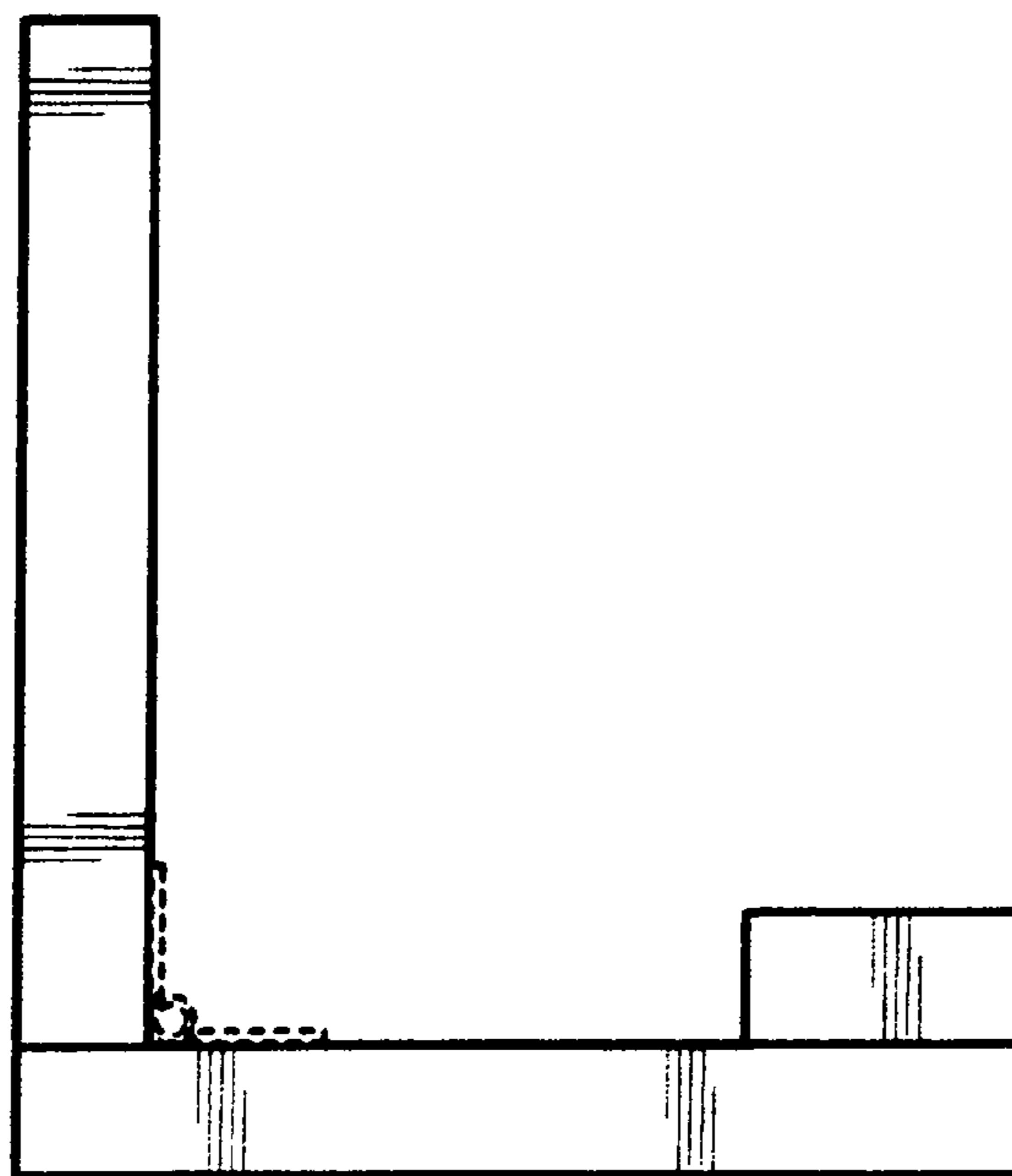


FIG. 14