



US00D527903S

(12) **United States Design Patent**
Chan

(10) **Patent No.:** **US D527,903 S**

(45) **Date of Patent:** **** Sep. 12, 2006**

(54) **SCREWDRIVER BOX**

(75) Inventor: **Sik-Leung Chan**, New Territories (CN)

(73) Assignee: **C. C. & L Company Limited**, Hong Kong (CN)

(**) Term: **14 Years**

(21) Appl. No.: **29/233,405**

(22) Filed: **Jun. 30, 2005**

(30) **Foreign Application Priority Data**

Mar. 23, 2005 (HK) 0500592

(51) **LOC (8) Cl.** **03-01**

(52) **U.S. Cl.** **D3/315; D3/905**

(58) **Field of Classification Search** D3/315,
D3/319, 328, 905; D19/77, 81, 84; D24/227,
D24/229; D28/73; 206/349, 372-379
See application file for complete search history.

(56) **References Cited**

U.S. PATENT DOCUMENTS

3,870,149	A *	3/1975	Huot	206/379
5,190,154	A *	3/1993	Reusch	206/375
D408,281	S *	4/1999	Chen	D9/415
D413,391	S *	8/1999	Lapeus et al.	D24/227
D413,677	S *	9/1999	Dumitrescu et al.	D24/229
D414,936	S *	10/1999	Doubek	D3/315
6,053,316	A *	4/2000	Lo	206/379
D431,359	S *	10/2000	Lapidus	D3/273
D436,441	S *	1/2001	Lapidus	D3/273
6,283,291	B1 *	9/2001	Vasudeva et al.	206/373
D464,486	S *	10/2002	Vasudeva	D3/315

6,516,948	B1 *	2/2003	Caballero	206/373
D472,389	S *	4/2003	Vasudeva	D3/315
2002/0014424	A1 *	2/2002	Budert	206/378
2002/0092786	A1 *	7/2002	Shu	206/379
2004/0079662	A1 *	4/2004	Wang	206/378
2005/0077198	A1 *	4/2005	Wikle et al.	206/373
2005/0126944	A1 *	6/2005	Wang	206/379
2005/0161356	A1 *	7/2005	Chen	206/373
2005/0178686	A1 *	8/2005	Pangerc et al.	206/379
2005/0241974	A1 *	11/2005	Chen	206/379
2006/0016706	A1 *	1/2006	Chen	206/379
2006/0042980	A1 *	3/2006	Chen	206/379

* cited by examiner

Primary Examiner—Phillip S. Hyder

Assistant Examiner—RoseLynne Ulm

(74) *Attorney, Agent, or Firm*—Alix, Yale & Ristas, LLP

(57) **CLAIM**

The ornamental design for a screwdriver box, as shown and described.

DESCRIPTION

FIG. 1 is a front perspective view of a screwdriver box showing my new design;

FIG. 2 is a front elevational view thereof;

FIG. 3 is a top plan view thereof;

FIG. 4 is a left side elevational view thereof;

FIG. 5 is a right side elevational view thereof;

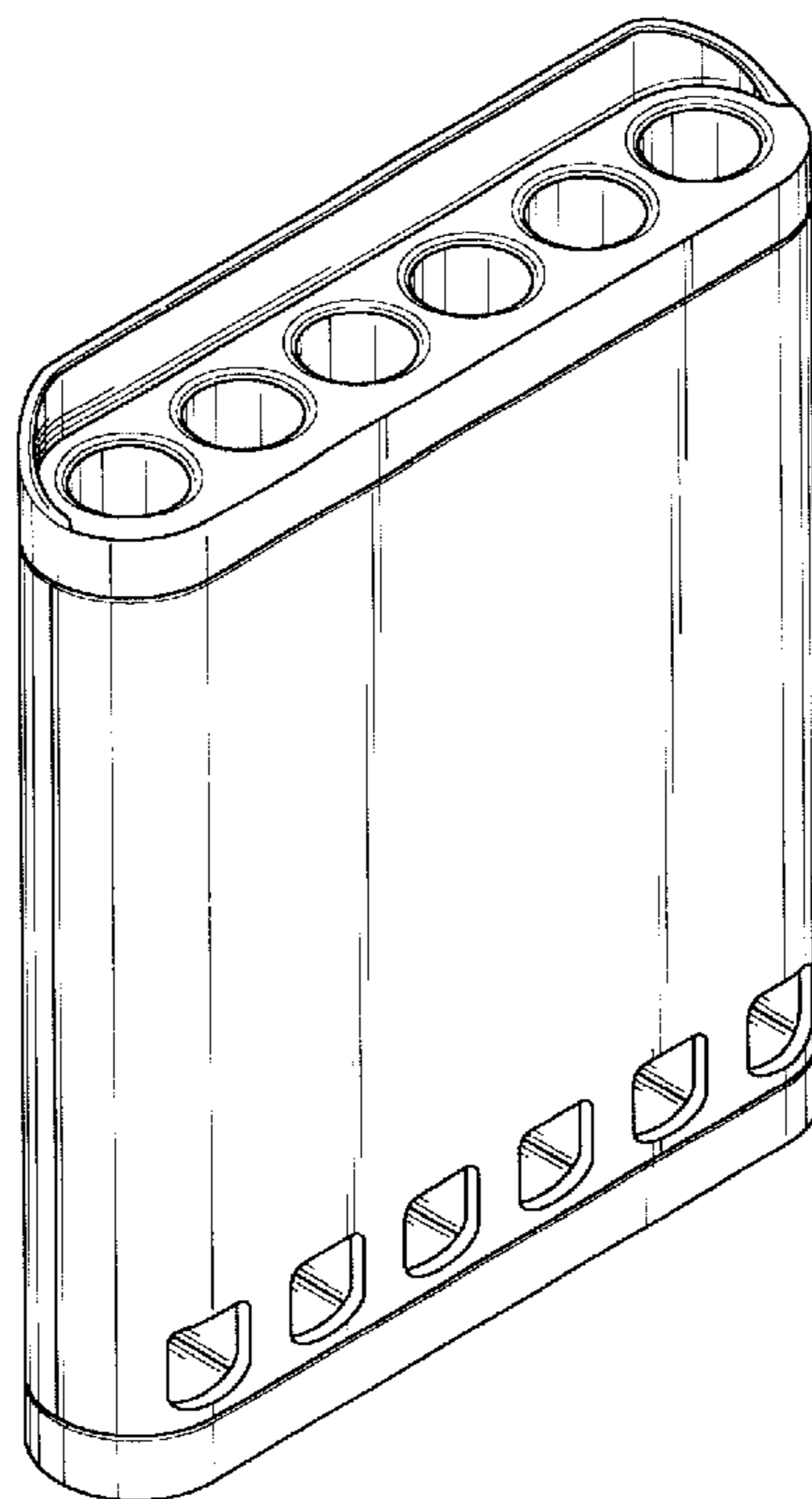
FIG. 6 is a rear elevational view thereof;

FIG. 7 is a bottom plan view thereof; and,

FIG. 8 is a front view thereof in using condition.

The broken line showing of FIG. 8 is for illustrative purposes and forms no part of the claimed design.

1 Claim, 5 Drawing Sheets



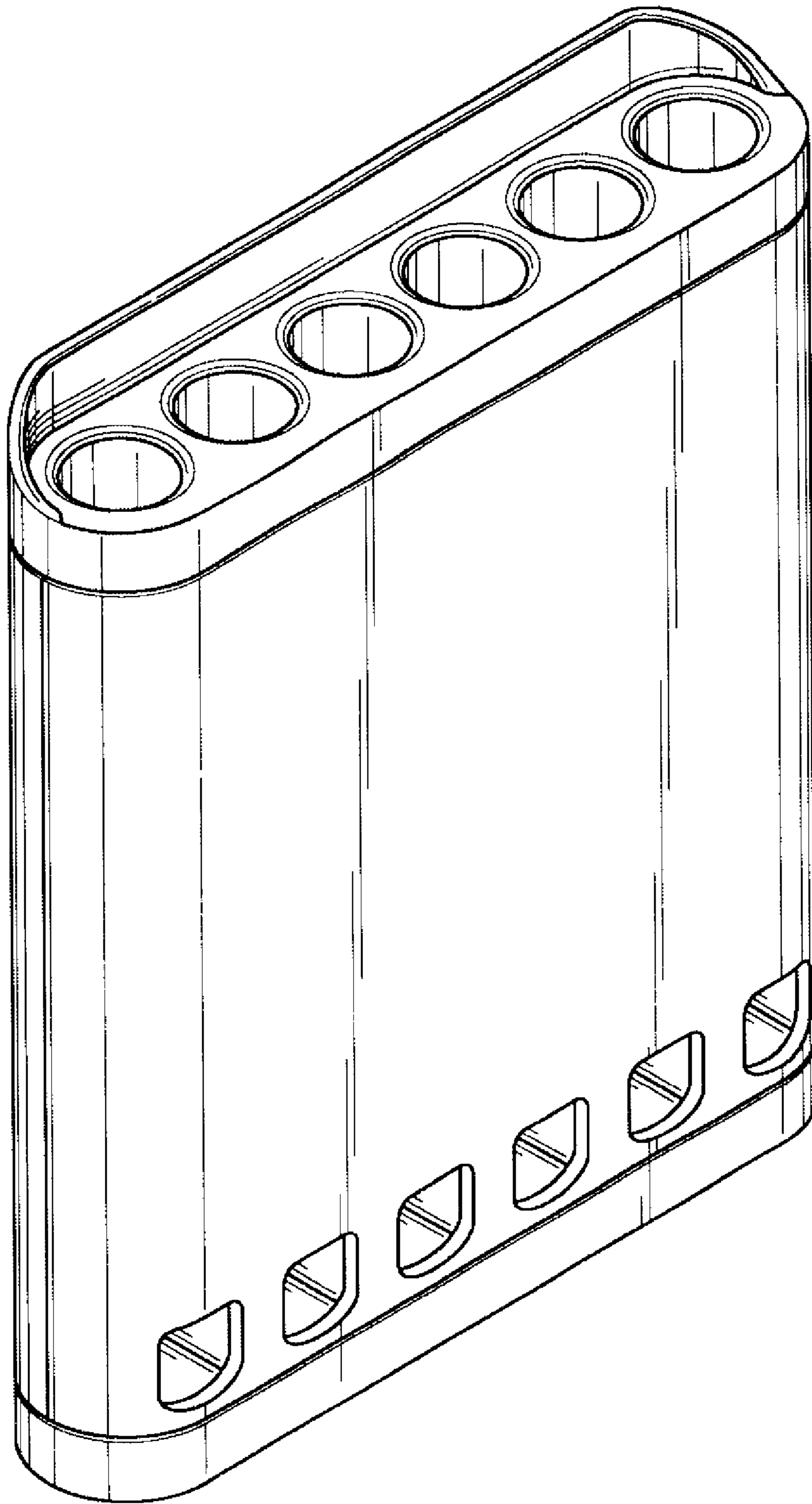


FIG. 1

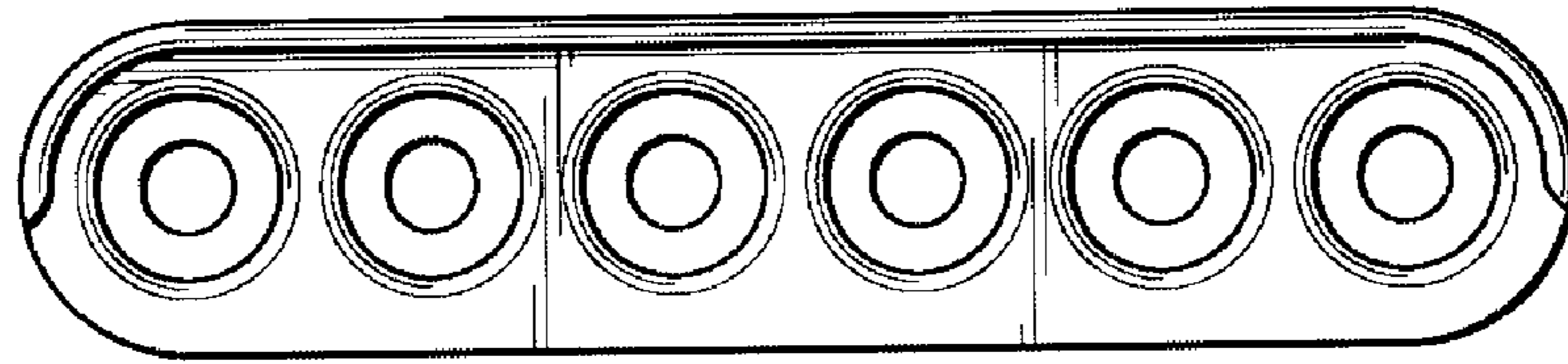


FIG. 3

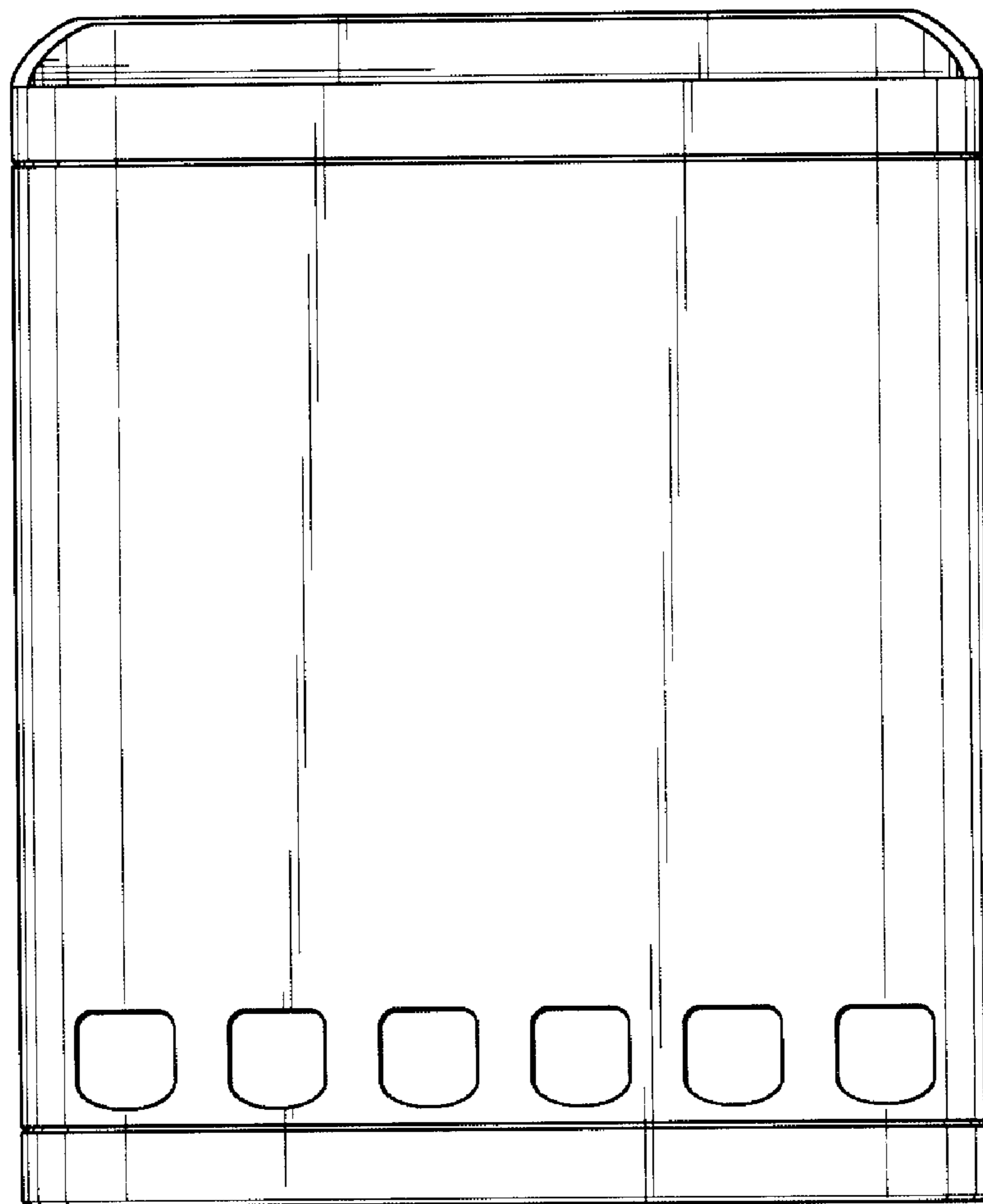


FIG. 2

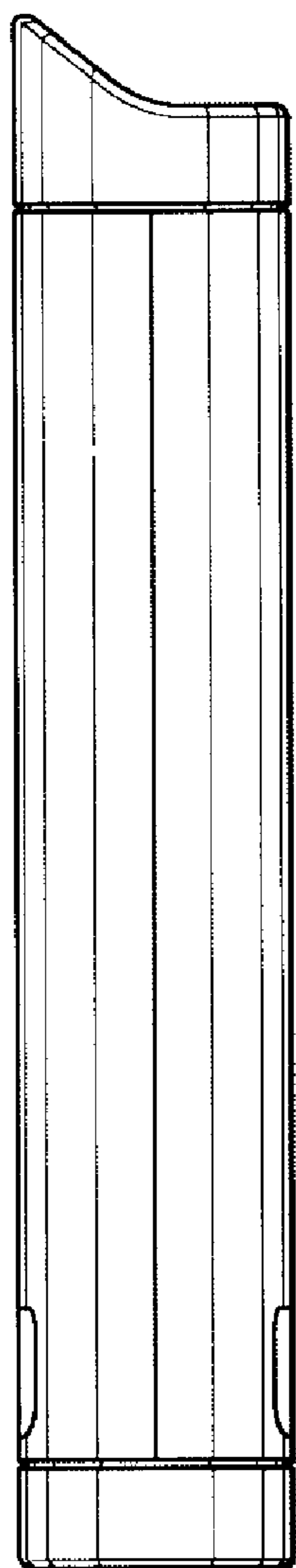


FIG. 4

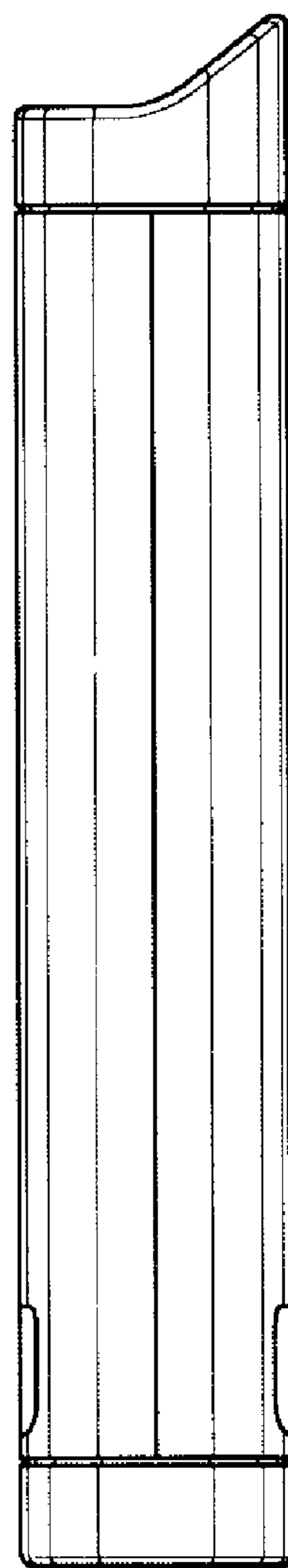


FIG. 5

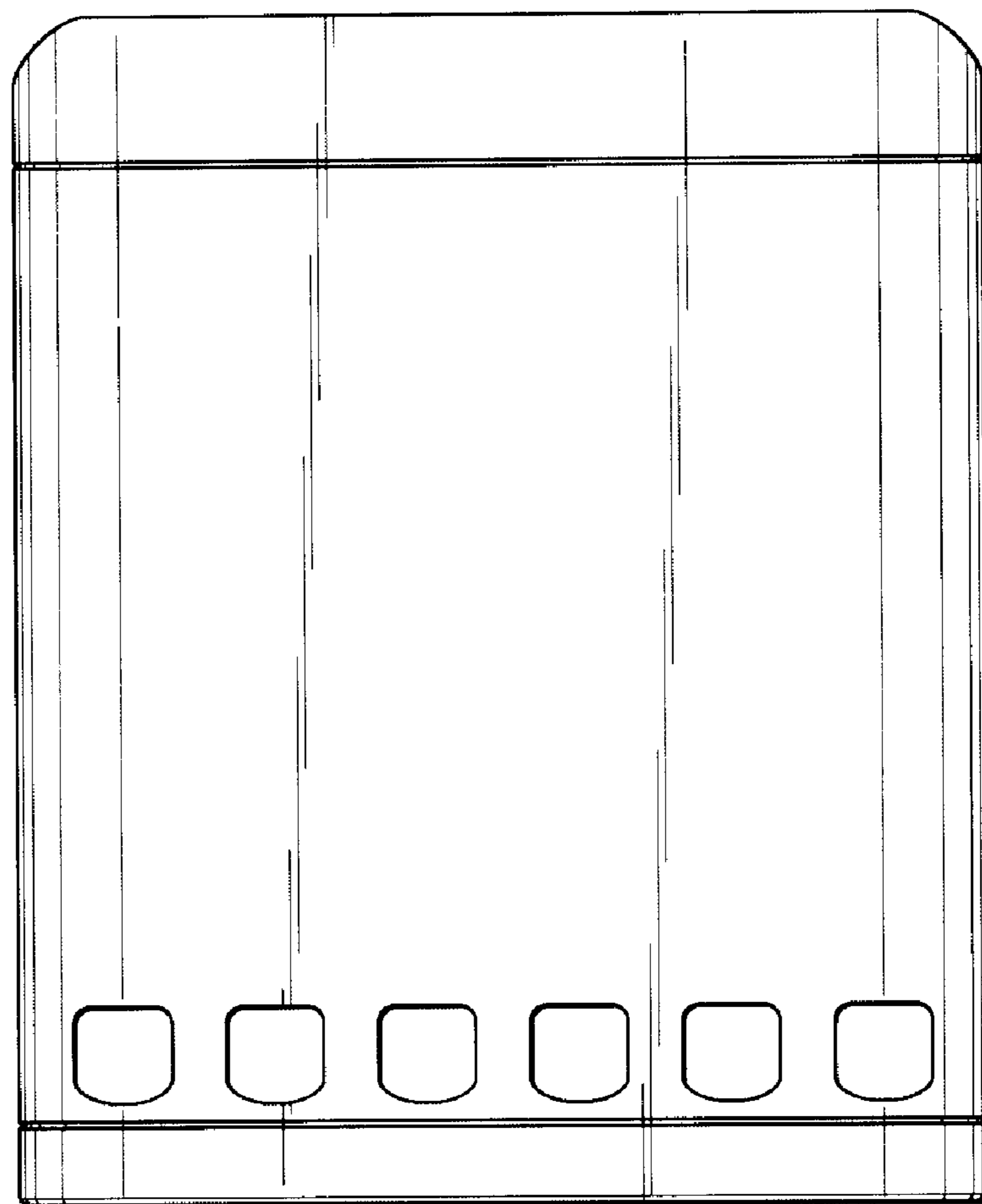


FIG. 6

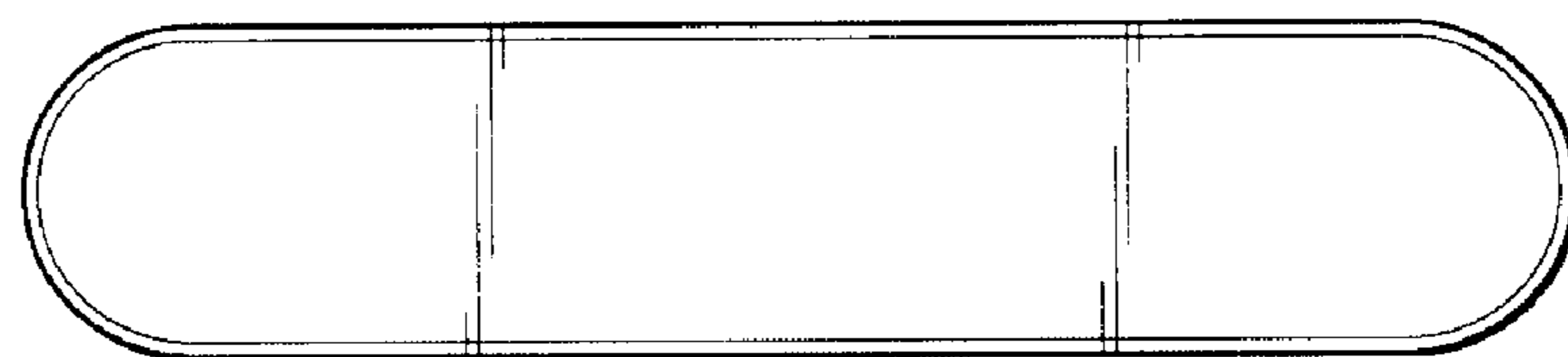


FIG. 7

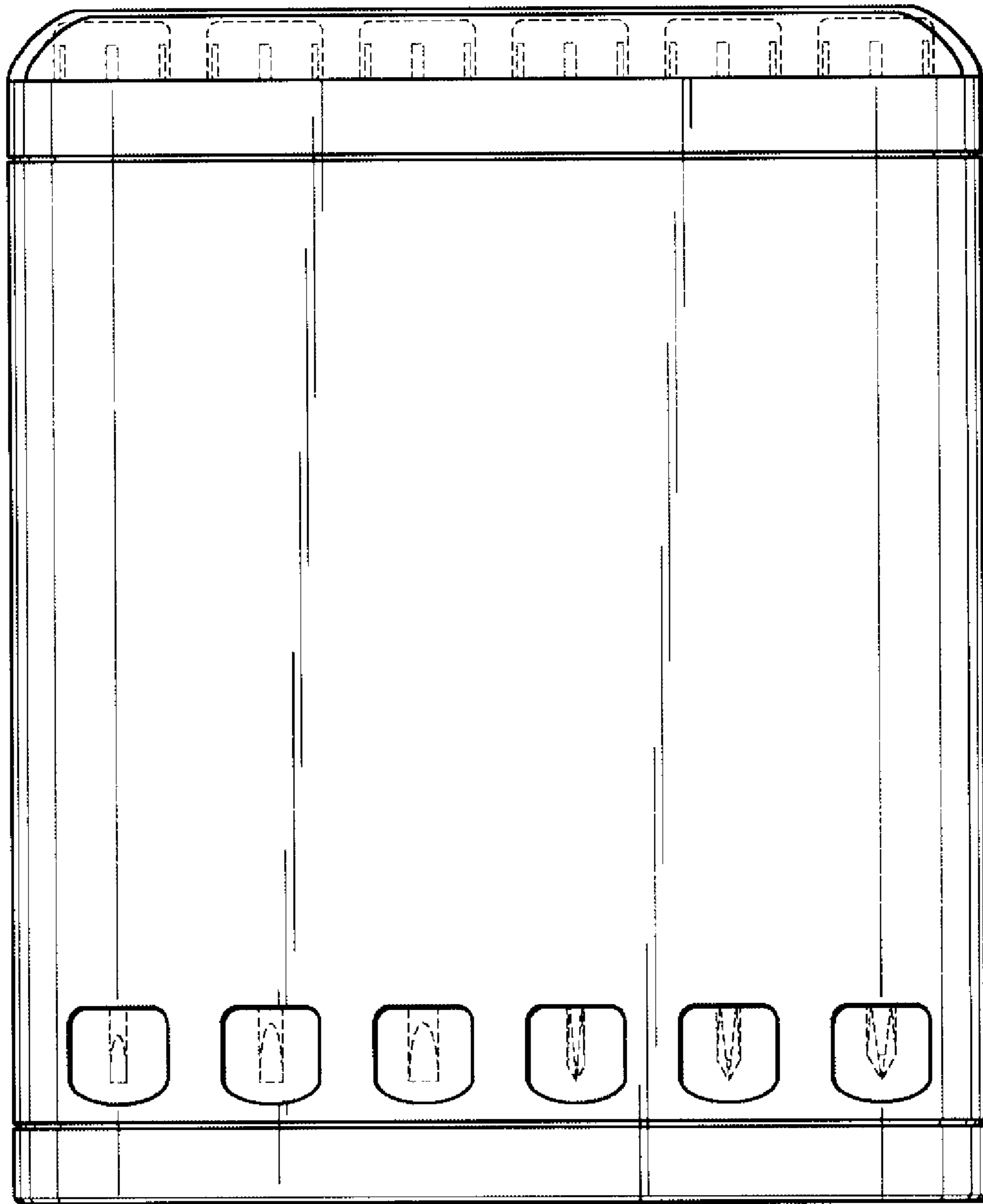


FIG. 8