

US00D527902S

(12) **United States Design Patent**
Willison

(10) **Patent No.:** **US D527,902 S**

(45) **Date of Patent:** **** Sep. 12, 2006**

(54) **TOOL TRAY**

(76) Inventor: **George R. Willison**, 6465 Polo Dr.,
Cumming, GA (US) 30040

(**) Term: **14 Years**

(21) Appl. No.: **29/227,444**

(22) Filed: **Apr. 12, 2005**

(51) **LOC (8) Cl.** **03-01**

(52) **U.S. Cl.** **D3/313**

(58) **Field of Classification Search** D3/20,
D3/200, 201, 203.1, 203.3, 205, 206, 273,
D3/276, 304-315; D6/525, 475, 476; D19/75,
D19/77, 86, 90, 92, 100; 206/203, 214, 215,
206/822, 307.1; 229/100, 914, 913, 406
See application file for complete search history.

(56) **References Cited**

U.S. PATENT DOCUMENTS

1,934,686 A	11/1933	Goertz et al.	
2,129,488 A	9/1938	Bomberger	
2,730,561 A	1/1956	Cuff et al.	
D176,844 S	2/1956	Evans	D58/12
2,847,100 A	8/1958	Hotchner	
2,951,612 A	9/1960	Salzenbrodt	
3,407,757 A	10/1968	Warner	
3,490,583 A	1/1970	Cook	
3,618,749 A	11/1971	Vaccaro	206/16
4,052,944 A	10/1977	Jennings	108/43
D249,048 S	* 8/1978	Drell et al.	D19/92
4,691,725 A	9/1987	Parisi	134/184
4,844,279 A	7/1989	Chalat	220/22
5,031,769 A	7/1991	Shea et al.	206/335

5,117,979 A	6/1992	Brightbill	206/335
5,405,004 A	4/1995	Vest et al.	206/350
D358,710 S	5/1995	Meyers et al.	D3/310
D371,876 S	7/1996	Albert et al.	D32/53.1
D386,616 S	11/1997	Nimer	D3/308
5,699,910 A	12/1997	Kubat	206/373
5,738,216 A	4/1998	Warner	206/523
5,803,586 A	9/1998	Velez et al.	362/154
D399,653 S	* 10/1998	Shellenberger et al.	D3/294
D424,396 S	* 5/2000	Jacoff	D8/80
D433,568 S	11/2000	Willison	D3/310
D459,872 S	* 7/2002	Dean et al.	D3/20
D472,711 S	4/2003	Chen	D3/313
D492,113 S	6/2004	Bayer et al.	D3/310

OTHER PUBLICATIONS

U.S. Appl. No. 29/199,529, filed 2004, Willison, George R.

* cited by examiner

Primary Examiner—Louis S. Zarfes

Assistant Examiner—John Windmuller

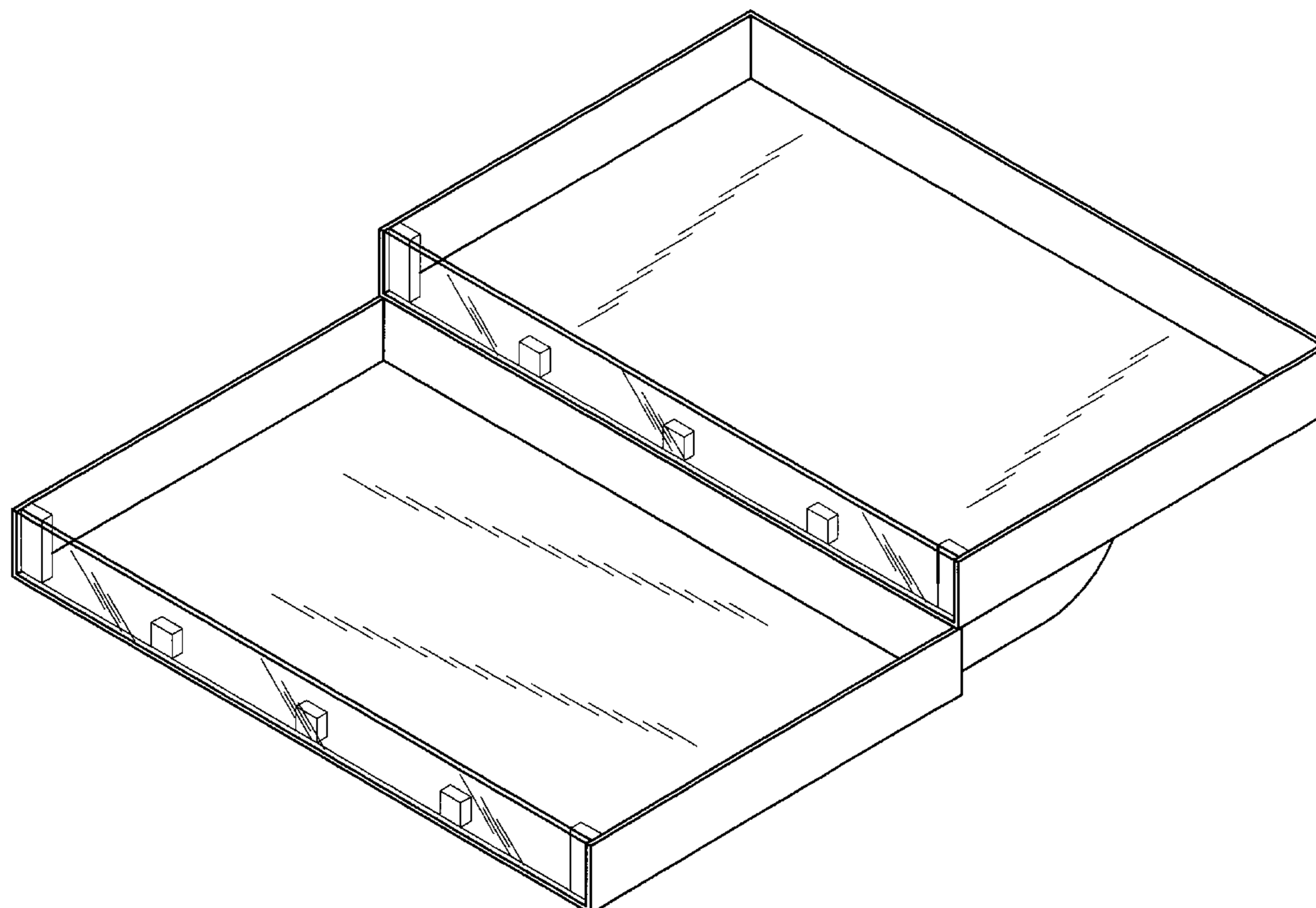
(57) **CLAIM**

The ornamental design for a tool tray, as shown and described.

DESCRIPTION

FIG. 1 is a top, front, right side perspective view of a tool tray embodying my design;
FIG. 2 is a top plan view thereof;
FIG. 3 is a bottom plan view thereof;
FIG. 4 is a front elevational view thereof;
FIG. 5 is a left side elevational view thereof; and,
FIG. 6 is a rear elevational view thereof.

1 Claim, 4 Drawing Sheets



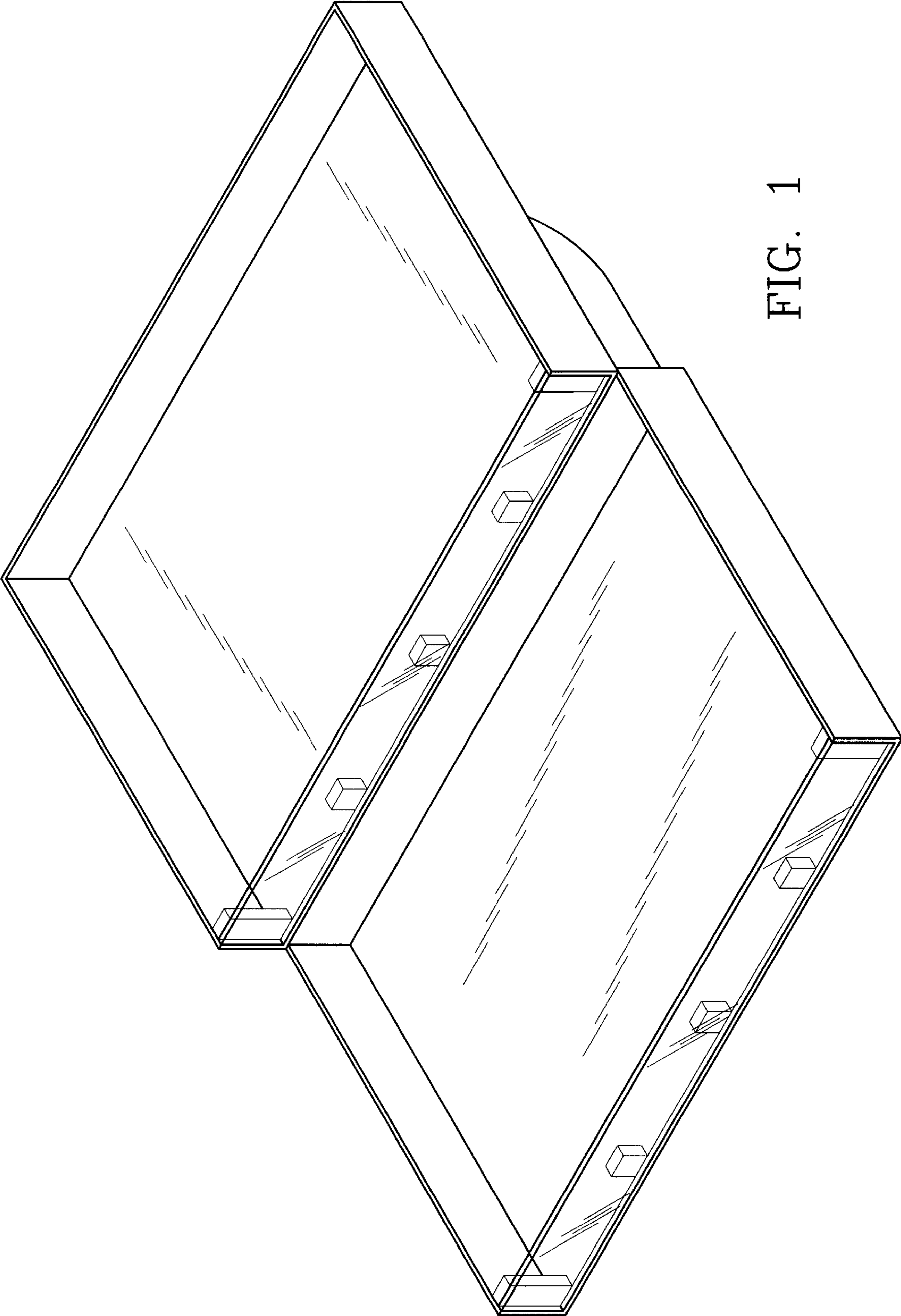


FIG. 1

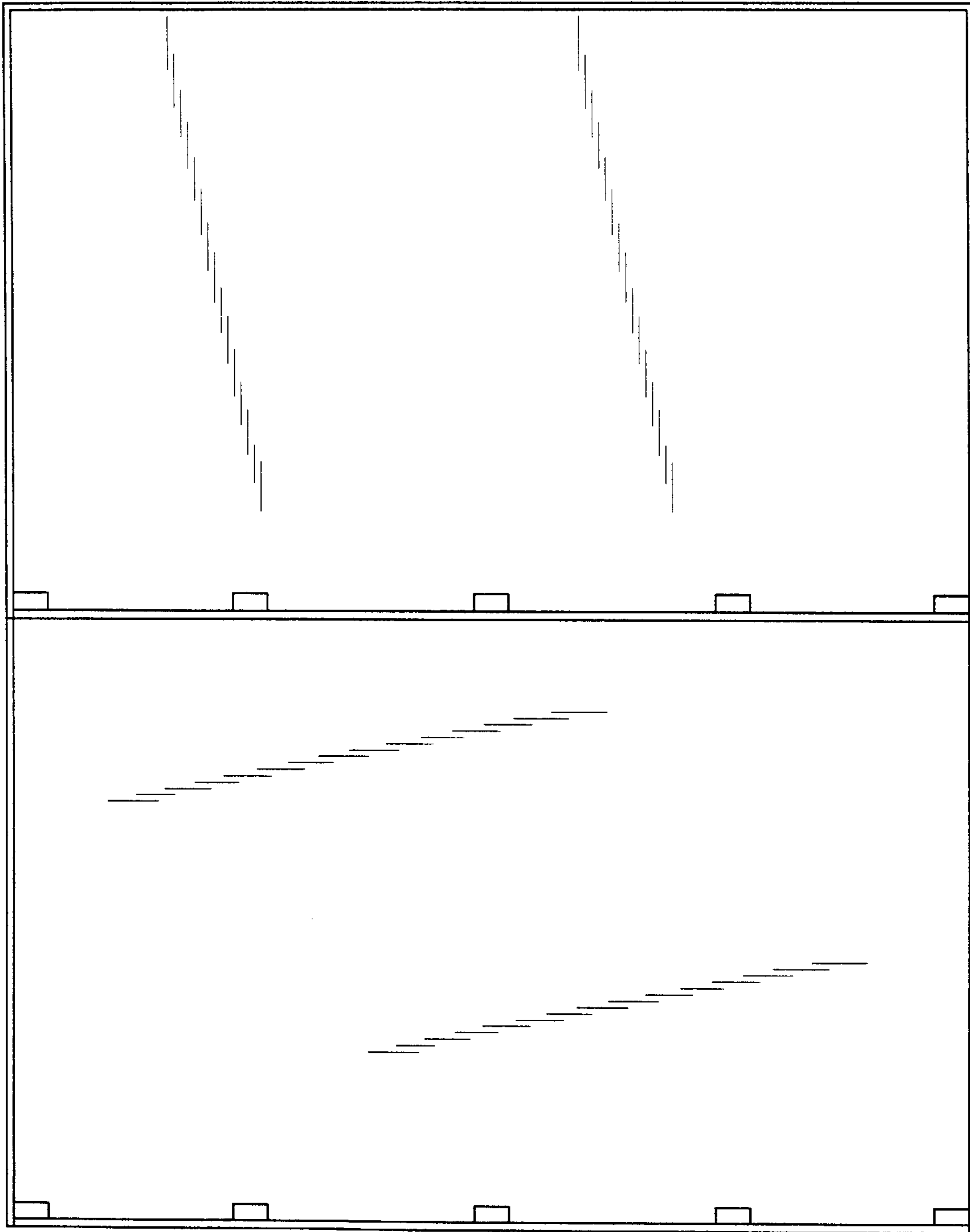


FIG. 2

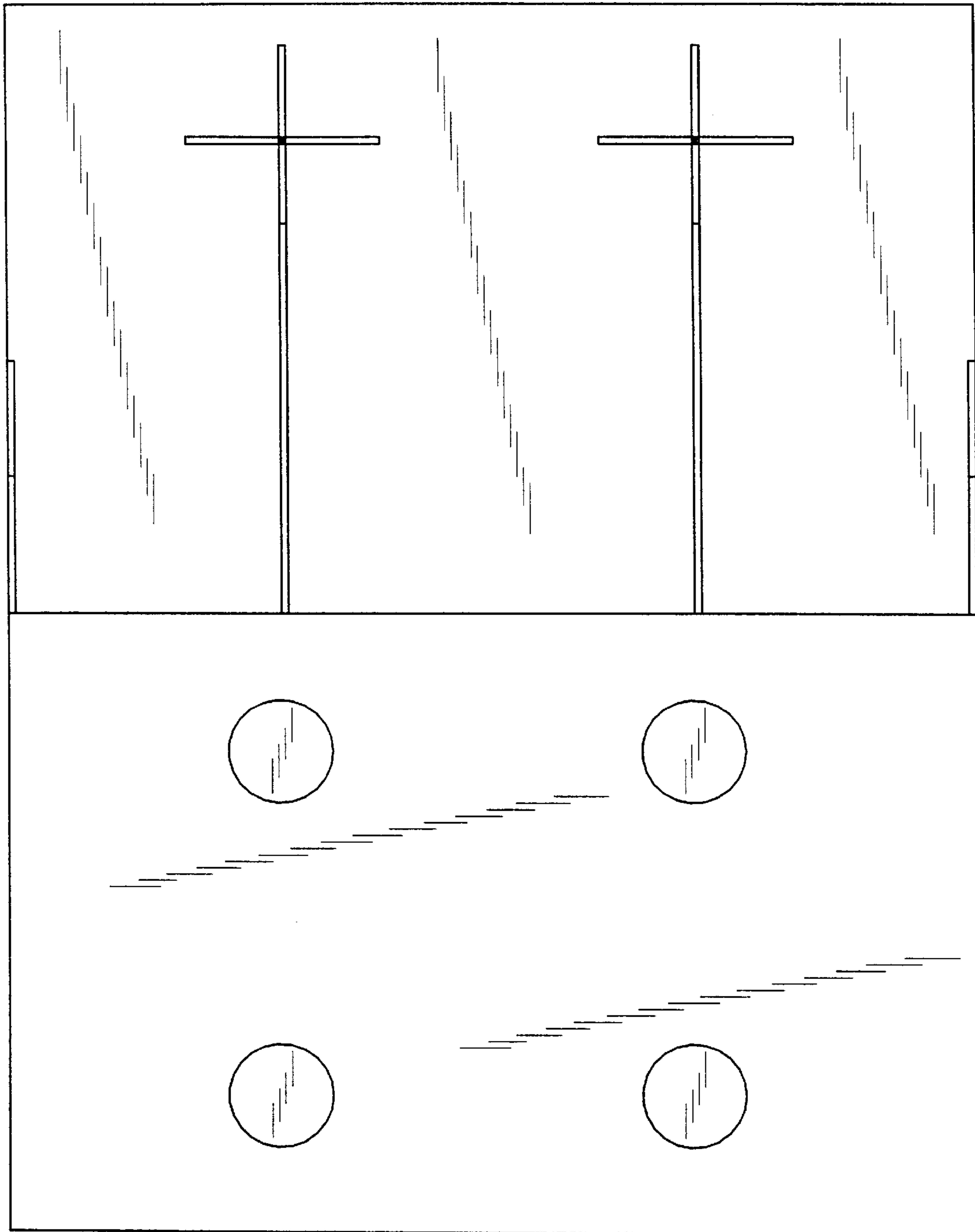


FIG. 3

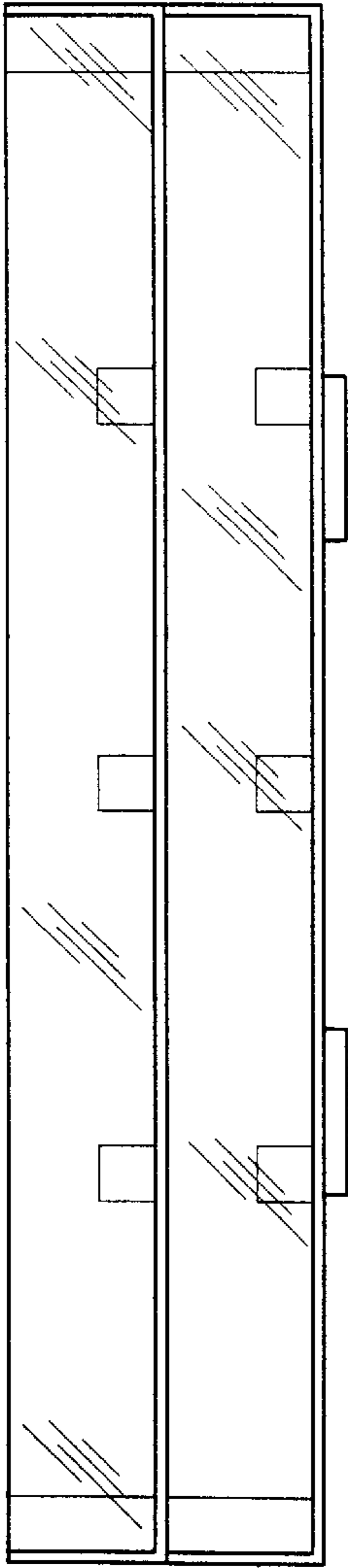


FIG. 4



FIG. 5

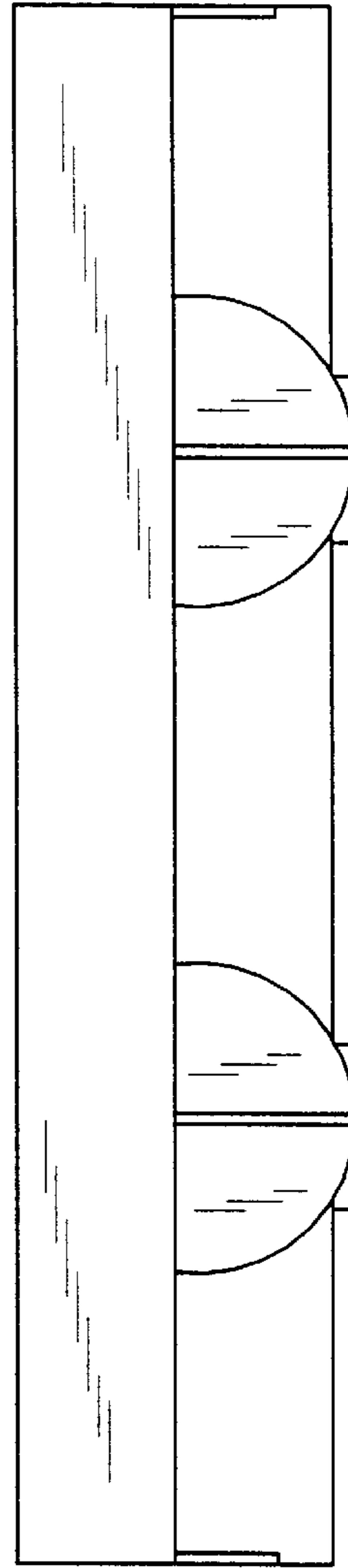


FIG. 6