

US00D527901S

(12) **United States Design Patent**  
**Selsted**

(10) **Patent No.:** **US D527,901 S**

(45) **Date of Patent:** **\*\* Sep. 12, 2006**

(54) **SHOE STORAGE CONTAINER**

(76) **Inventor:** **Carol Selsted**, 1515 Noe St., San Francisco, CA (US) 94131

(\*\*) **Term:** **14 Years**

(21) **Appl. No.:** **29/209,866**

(22) **Filed:** **Jul. 21, 2004**

(51) **LOC (8) Cl.** ..... **03-01**

(52) **U.S. Cl.** ..... **D3/302; D9/418**

(58) **Field of Classification Search** ..... D3/200, D3/201, 273, 276, 287, 302, 317, 242; D9/418, D9/432; 220/789, 782; 206/776, 777, 778, 206/278; 229/162.1, 162.2; 190/13 F  
See application file for complete search history.

(56) **References Cited**

**U.S. PATENT DOCUMENTS**

1,367,248	A	*	2/1921	Goldman et al.	.....	220/789
1,641,709	A	*	9/1927	Tam	.....	220/662
1,734,621	A	*	11/1929	Goldberg	.....	206/766
2,164,506	A	*	7/1939	Enrich	.....	229/117.02
2,988,412	A	*	6/1961	Vannice	.....	312/111
3,008,568	A	*	11/1961	Van Doren	.....	206/8

**OTHER PUBLICATIONS**

Drawing of a shoe storage container, cited in applicant's IDS as having "been in use for more than one year before the filing of this application".\*

\* cited by examiner

*Primary Examiner*—Philip S. Hyder

*Assistant Examiner*—RoseLynne Ulm

(74) *Attorney, Agent, or Firm*—Fish & Richardson P.C.

(57) **CLAIM**

The ornamental design for a shoe storage container, as shown and described.

**DESCRIPTION**

FIG. 1 is a perspective view of a shoe storage container showing my new design.

FIG. 2 is a perspective, exploded view thereof.

FIG. 3 is a side view of the right side thereof. The left side is identical.

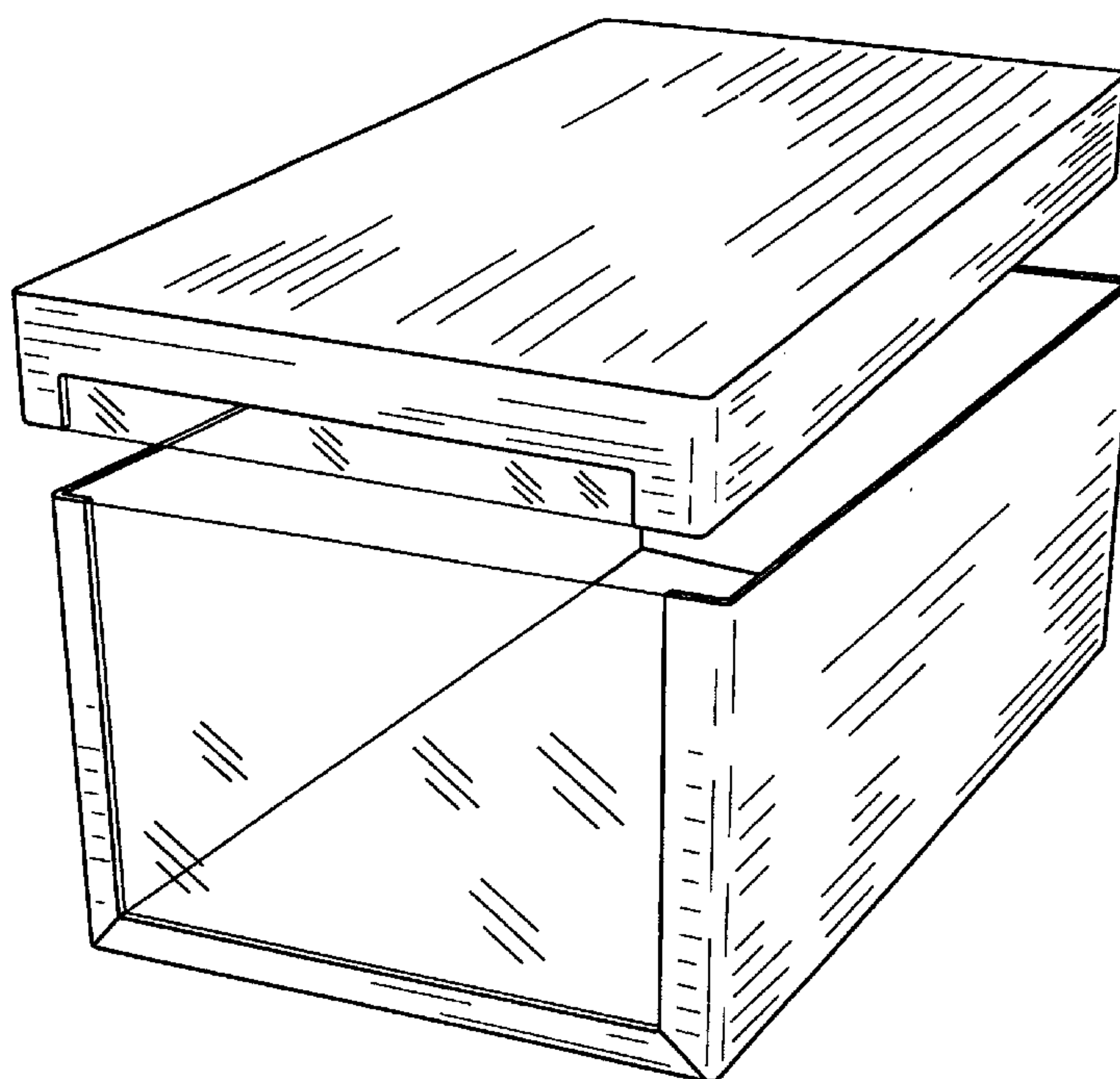
FIG. 4 is a front view thereof.

FIG. 5 is a rear view thereof.

FIG. 6 is a top view thereof; and,

FIG. 7 is a perspective view thereof including for illustrative purposes a pair of shoes therein, shown in broken lines. The shoes are not included in the claimed design.

**1 Claim, 4 Drawing Sheets**



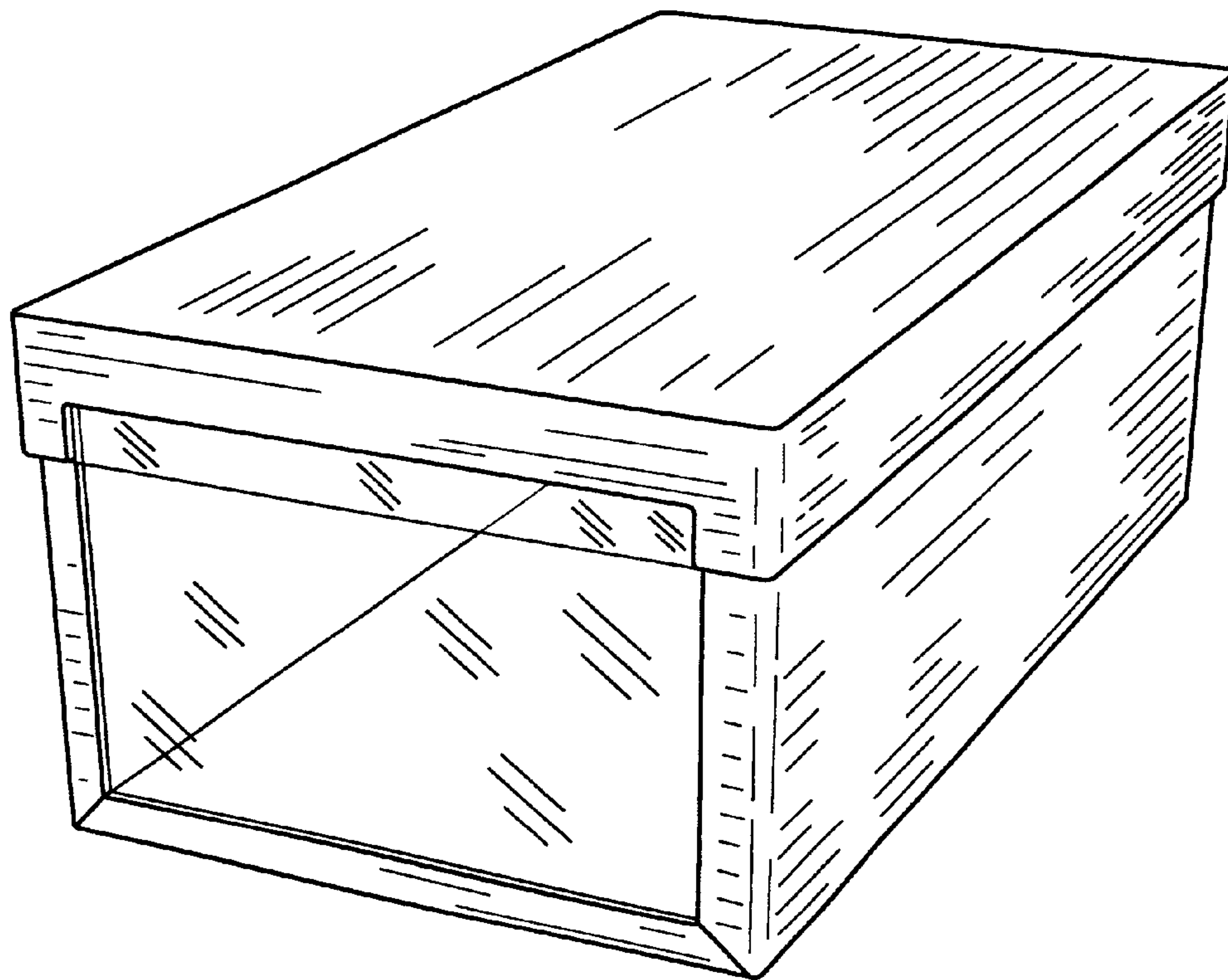


FIG. 1

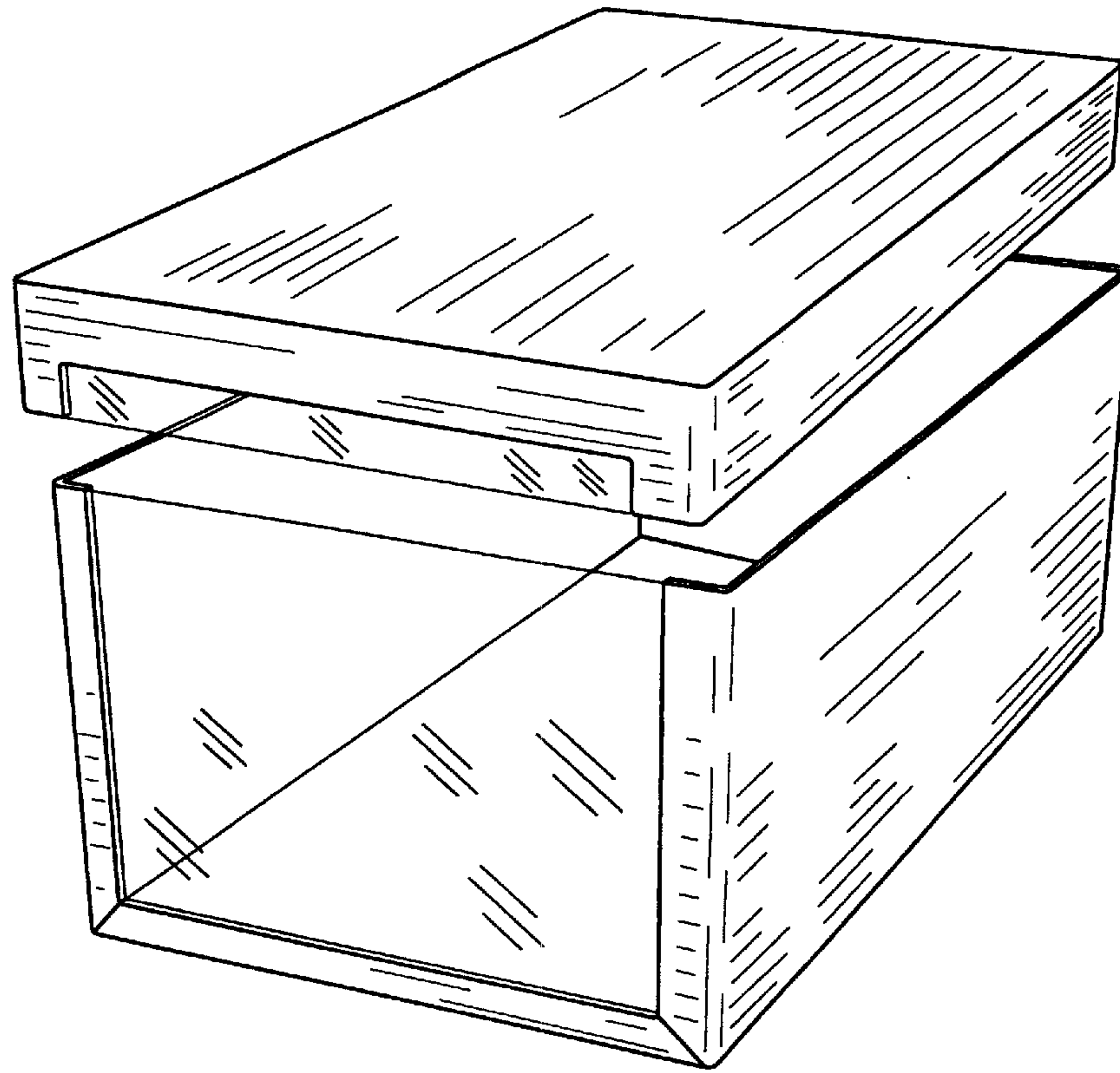


FIG. 2

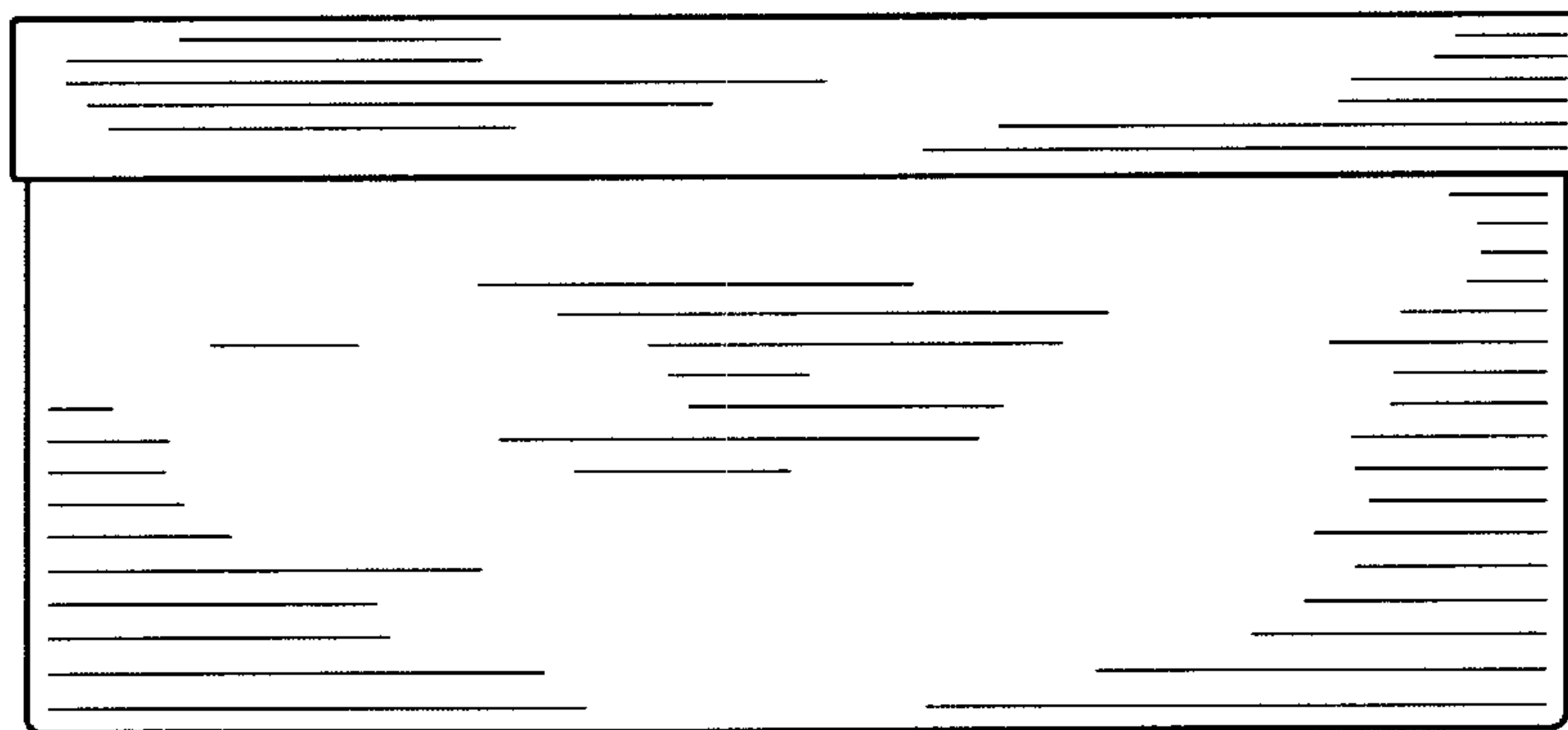


FIG. 3

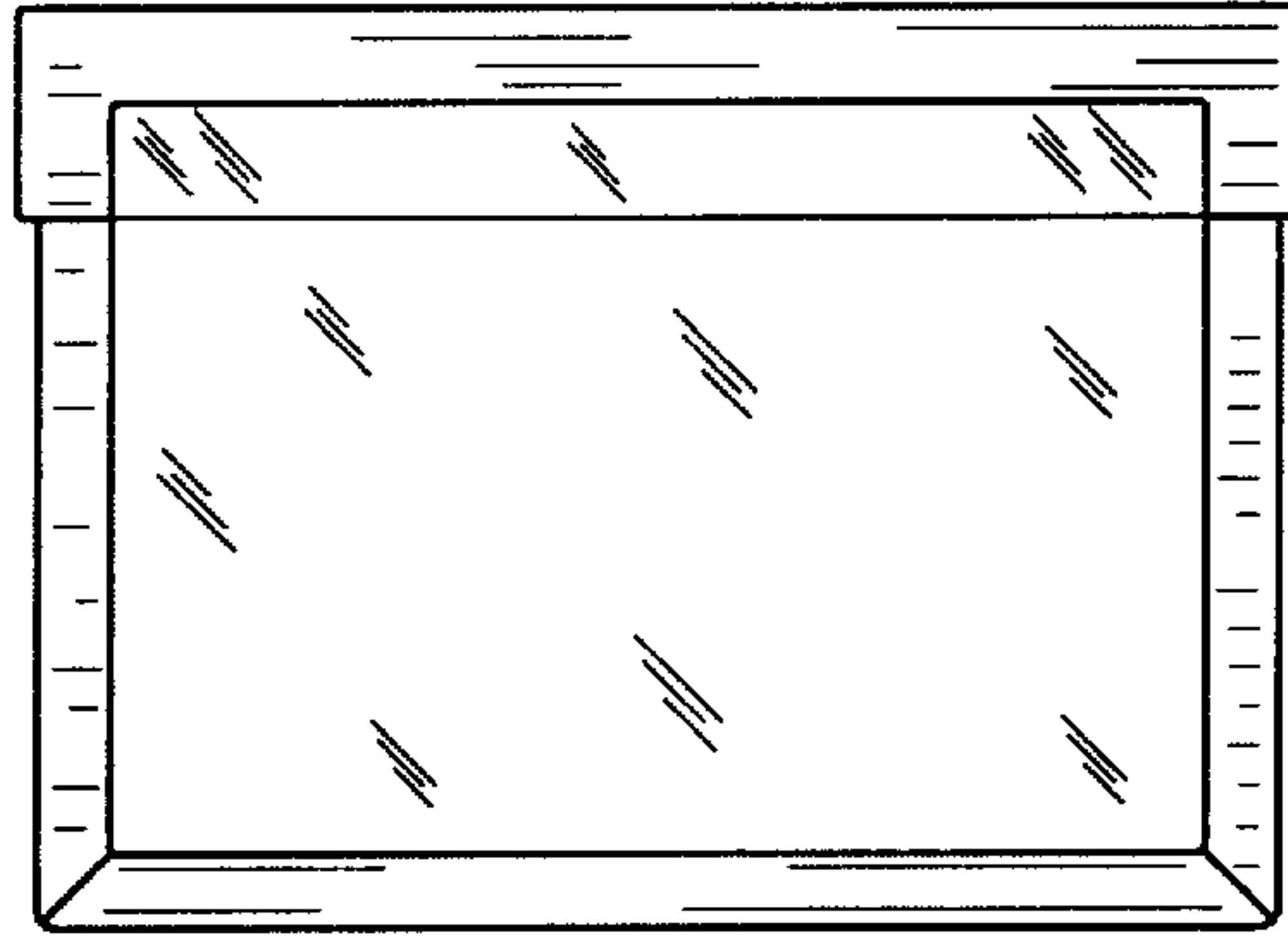


FIG. 4

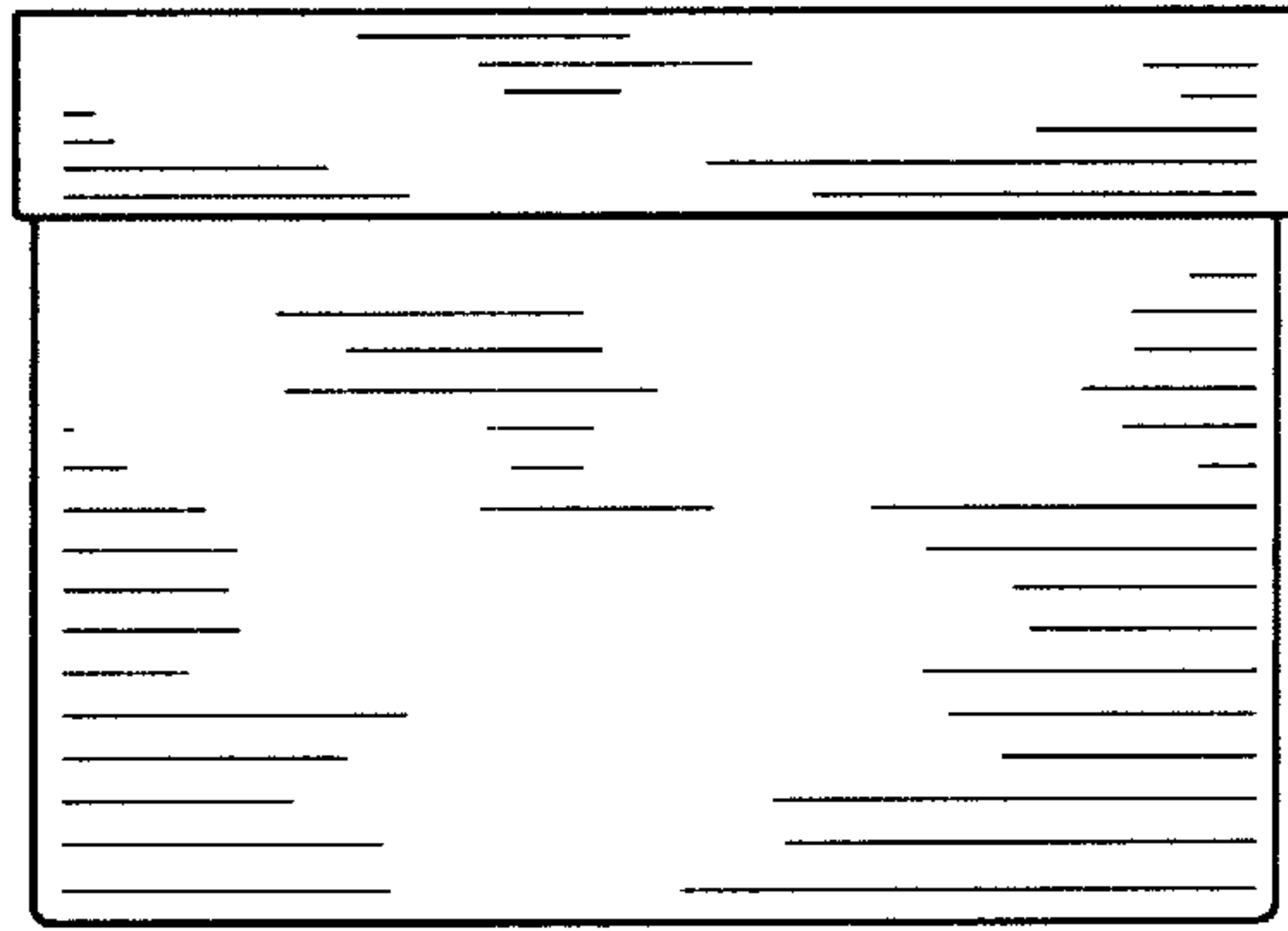


FIG. 5

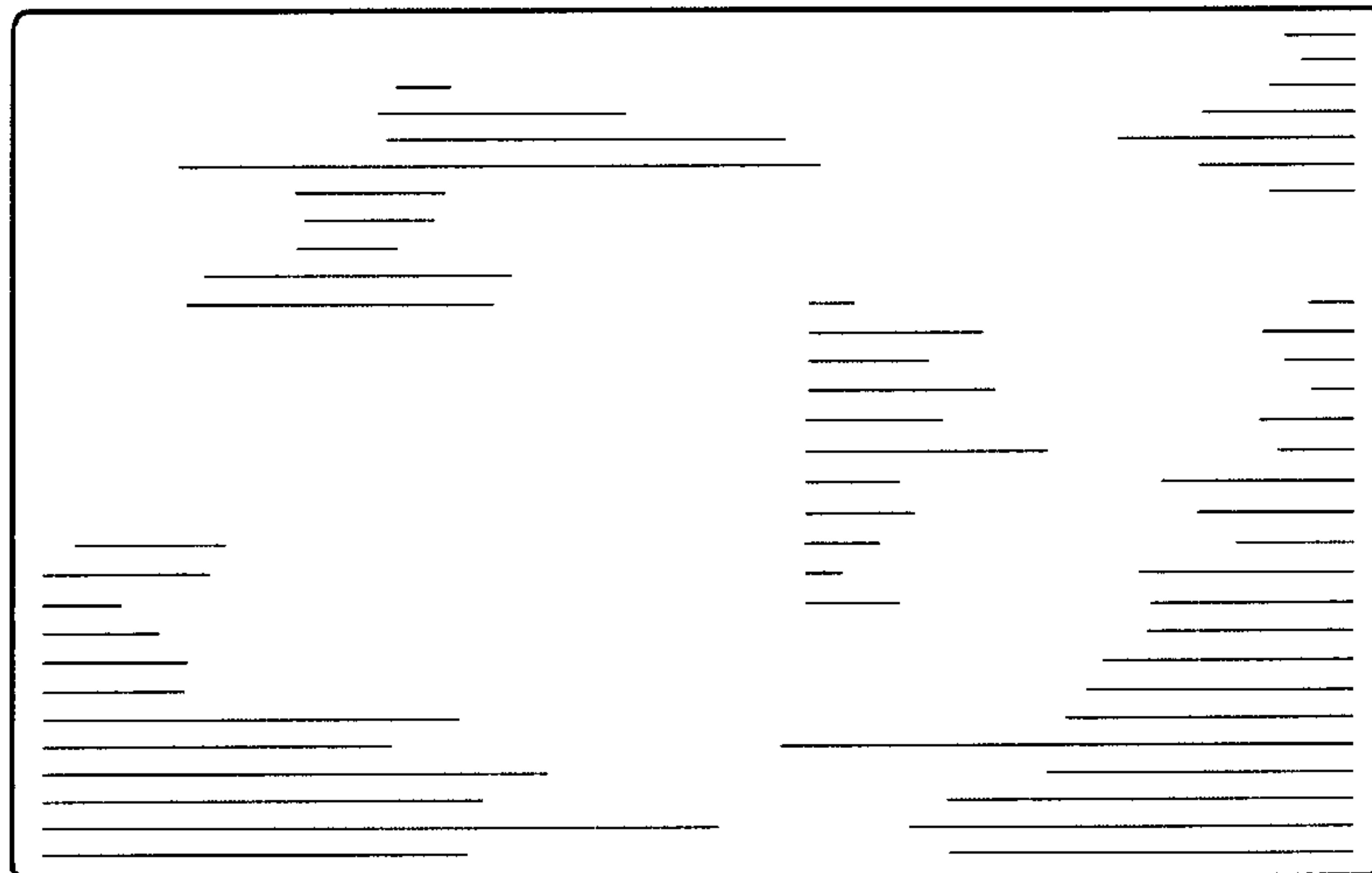


FIG. 6

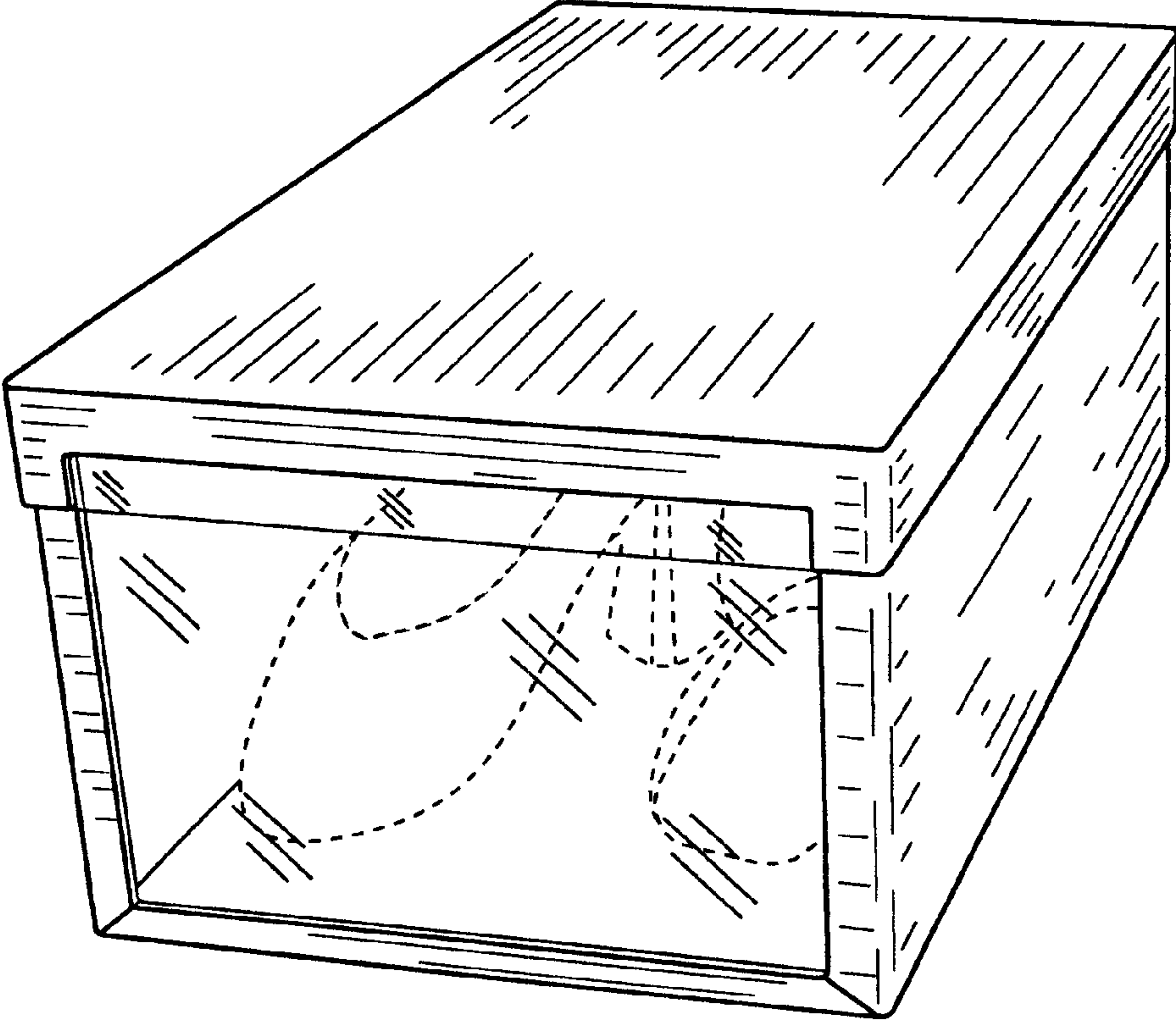


FIG. 7