

US00D527900S

(12) **United States Design Patent**
Dewa et al.

(10) **Patent No.:** **US D527,900 S**
(45) **Date of Patent:** **** Sep. 12, 2006**

(54) **CASE FOR CARDS AND CARD PACKS**

(75) Inventors: **Shoji Dewa**, Tokyo (JP); **Akihiro Takatoku**, Tokyo (JP)

(73) Assignee: **Konami Corporation**, Tokyo (JP)

(**) Term: **14 Years**

(21) Appl. No.: **29/233,047**

(22) Filed: **Jun. 27, 2005**

(30) **Foreign Application Priority Data**

Dec. 28, 2004 (JP) 2004-040376

(51) **LOC (8) Cl.** **03-01**

(52) **U.S. Cl.** **D3/299; D21/392**

(58) **Field of Classification Search** D3/205,
D3/230, 273, 299, 319, 905; D19/26; D21/376,
D21/392-393, 396; 273/148 A, 149 P, 149 R,
273/157 A; 206/39.4, 315.1

See application file for complete search history.

(56) **References Cited**

U.S. PATENT DOCUMENTS

D132,137 S	*	4/1942	Holstein	D21/392
D132,138 S	*	4/1942	Holstein	D21/392
D268,714 S	*	4/1983	Goedel	D3/295
D271,161 S	*	11/1983	Compton	D6/634
4,518,275 A	*	5/1985	Rauch et al.	402/80 P
D291,744 S	*	9/1987	Cohen	D3/295
D316,181 S	*	4/1991	Clifton	D6/634
D318,885 S	*	8/1991	DeMarc	D21/393
5,087,145 A	*	2/1992	Cooley	402/79
D358,253 S	*	5/1995	Wong	D3/247
D381,703 S	*	7/1997	Wiles et al.	D21/392
D384,203 S	*	9/1997	Jacobson	D3/299
D414,033 S	*	9/1999	Rohm	D3/249
6,282,826 B1	*	9/2001	Richards	40/654.1
6,971,520 B1	*	12/2005	Fulda	206/455

FOREIGN PATENT DOCUMENTS

JP	2001-080239	3/2001
JP	2001-270584	10/2001

JP	2002-002845	1/2002
JP	3099687	11/2003
JP	3099862	12/2003

* cited by examiner

Primary Examiner—Philip S. Hyder

Assistant Examiner—RoseLynne (Ulm) Cody

(74) *Attorney, Agent, or Firm*—Rankin, Hill, Porter & Clark LLP

(57) **CLAIM**

The ornamental design for a case for cards and card packs, as shown and described.

DESCRIPTION

This article relates to a case for cards and card packs for receiving both cards and card packs containing a plurality of cards.

FIG. 1 is a front side elevation view.

FIG. 2 is a rear side elevation view.

FIG. 3 is a right side elevation view.

FIG. 4 is a left side elevation view.

FIG. 5 is a top plan view.

FIG. 6 is a bottom plan view.

FIG. 7 is a front side elevation view for reference.

FIG. 8 is a cross-sectional view taken along line 8—8 in FIG. 7.

FIG. 9 is a cross-sectional view taken along line 9—9 in FIG. 7.

FIG. 10 is an enlarged cross-sectional view taken along line 10—10 in FIG. 7.

FIG. 11 is an enlarged cross-sectional view taken along line 11—11 in FIG. 7.

FIG. 12 is a perspective view for reference as viewed from the front.

FIG. 13 is a perspective view of a half-opened case for reference as viewed from the front.

FIG. 14 is a front side elevation view thereof but with the transparent covers removed.

FIG. 15 is a right side elevation view thereof but with the transparent covers removed.

FIG. 16 is a left side elevation view of a case without a cover.

FIG. 17 is a top plan view of a case without a cover.

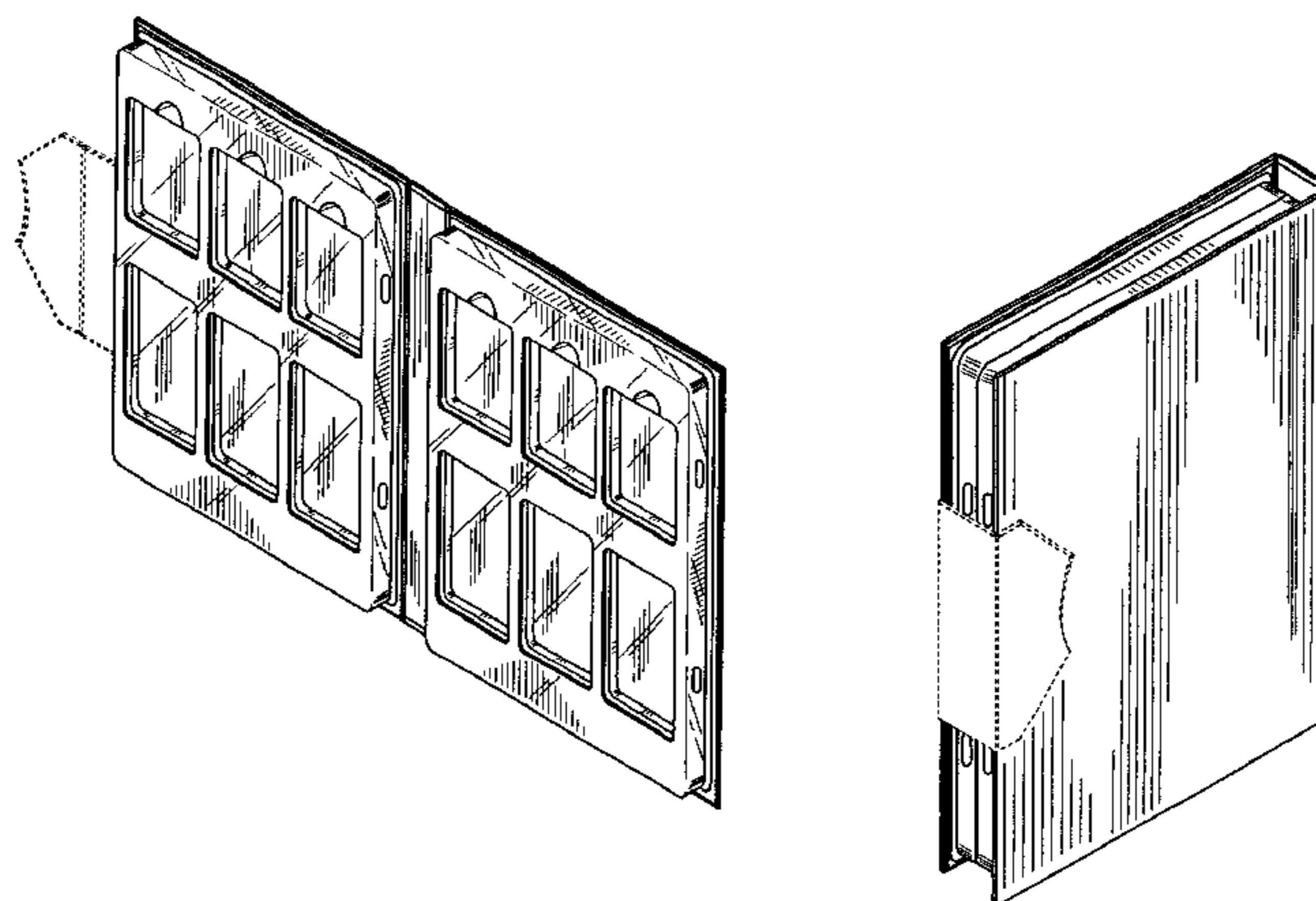


FIG. 18 is a bottom plan view of a case without a cover.
FIG. 19 is a perspective view of a case without a cover for reference as viewed from the front.
FIG. 20 is a perspective view of a half-opened case for reference as viewed from the front.
FIG. 21 is a front side elevation view of the transparent cover portion of the design.
FIG. 22 is a rear side elevation view of the transparent cover portion of the design.
FIG. 23 is a right side elevation view of a cover.
FIG. 24 is a top plan view of a cover.

FIG. 25 is a perspective view of a cover for reference as viewed from the front.
FIG. 26 is a perspective view for reference in which a case is folded; and,
FIG. 27 is a perspective view exploded view for reference. The broken line showing in FIGS. 1, 2, 5-7, 12-14, 16-20, 26, and 27 is for illustrative purposes only and forms no part of the claimed design.

1 Claim, 15 Drawing Sheets

Fig. 1

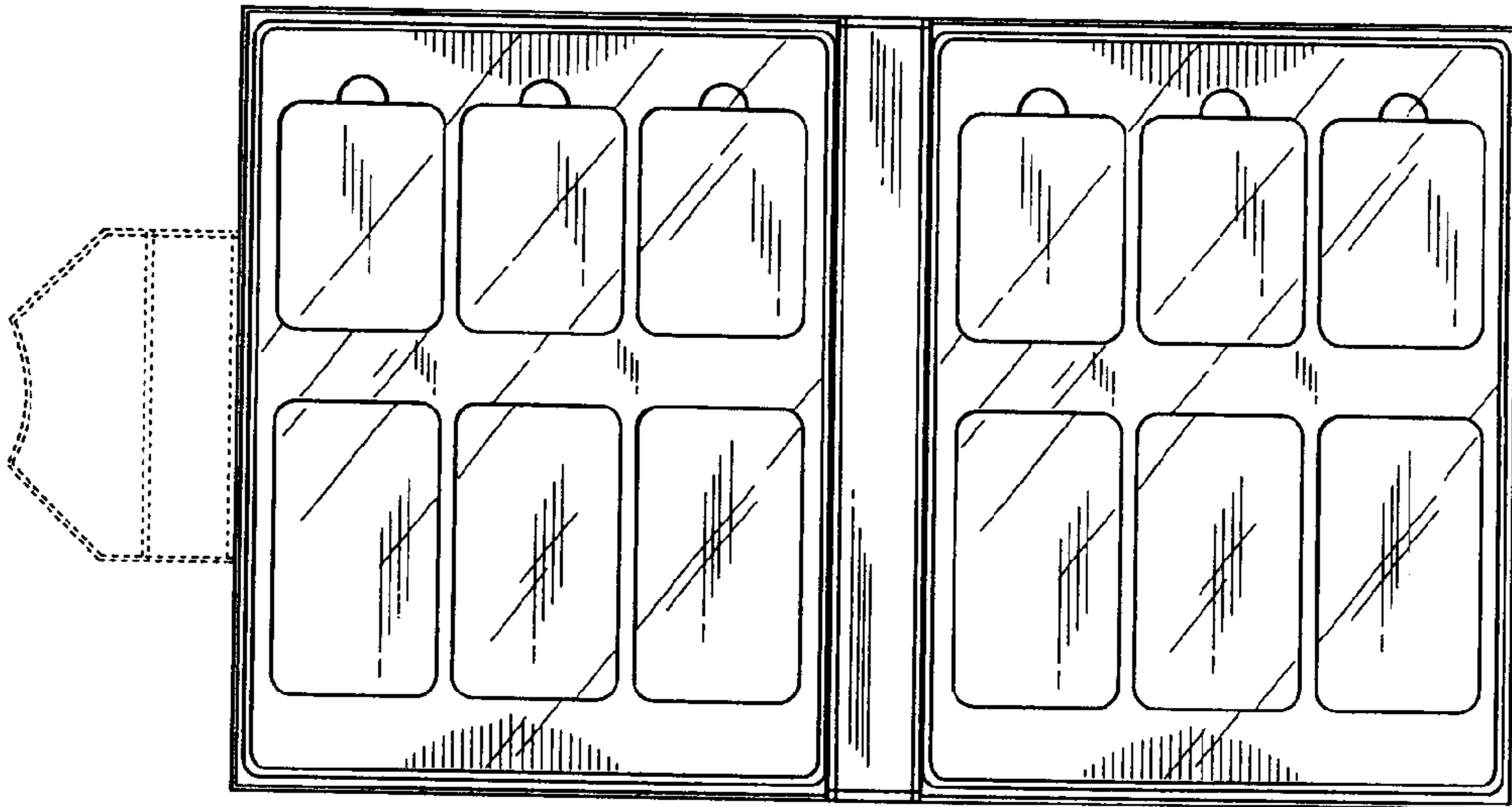


Fig. 2

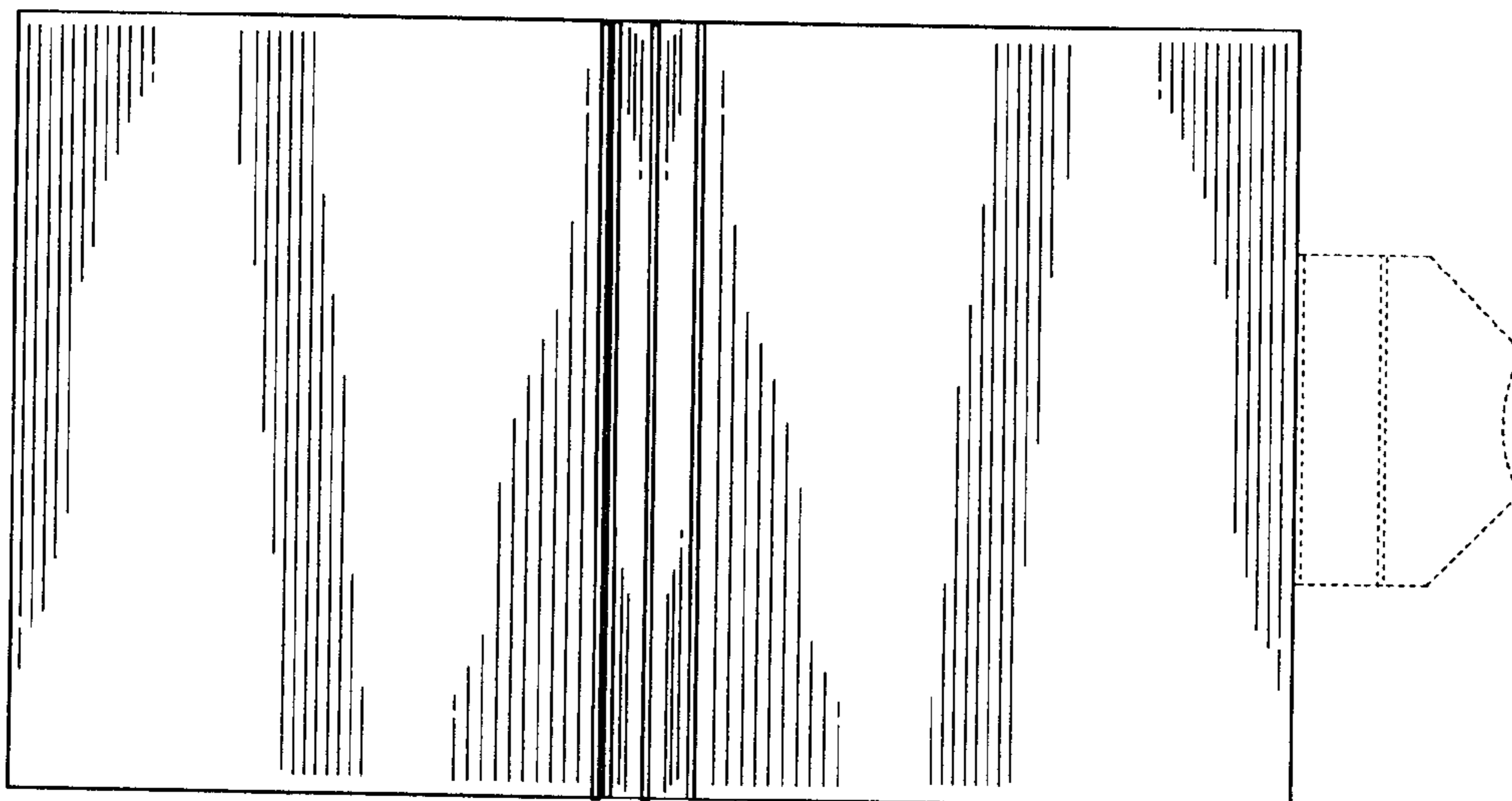


Fig.3



Fig.4



Fig.5

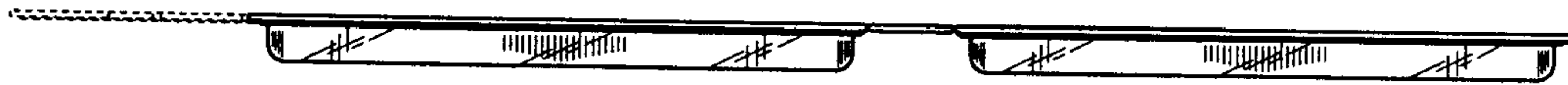


Fig.6

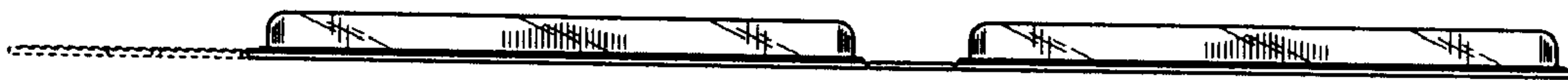


Fig.7

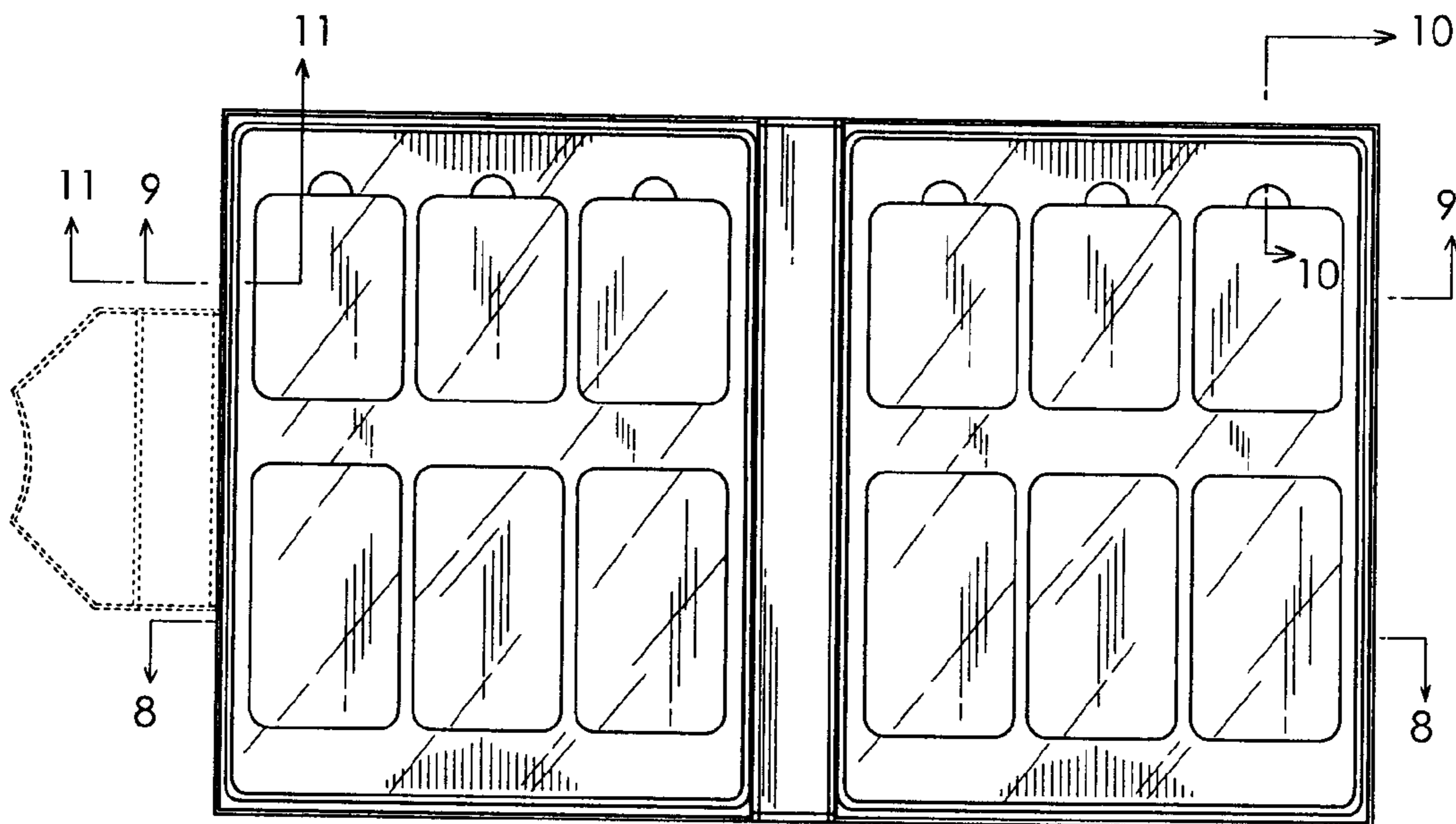


Fig.8

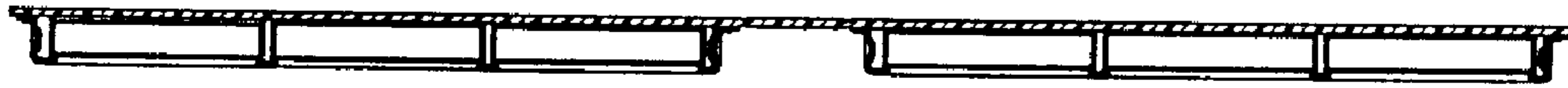


Fig.9



Fig.10

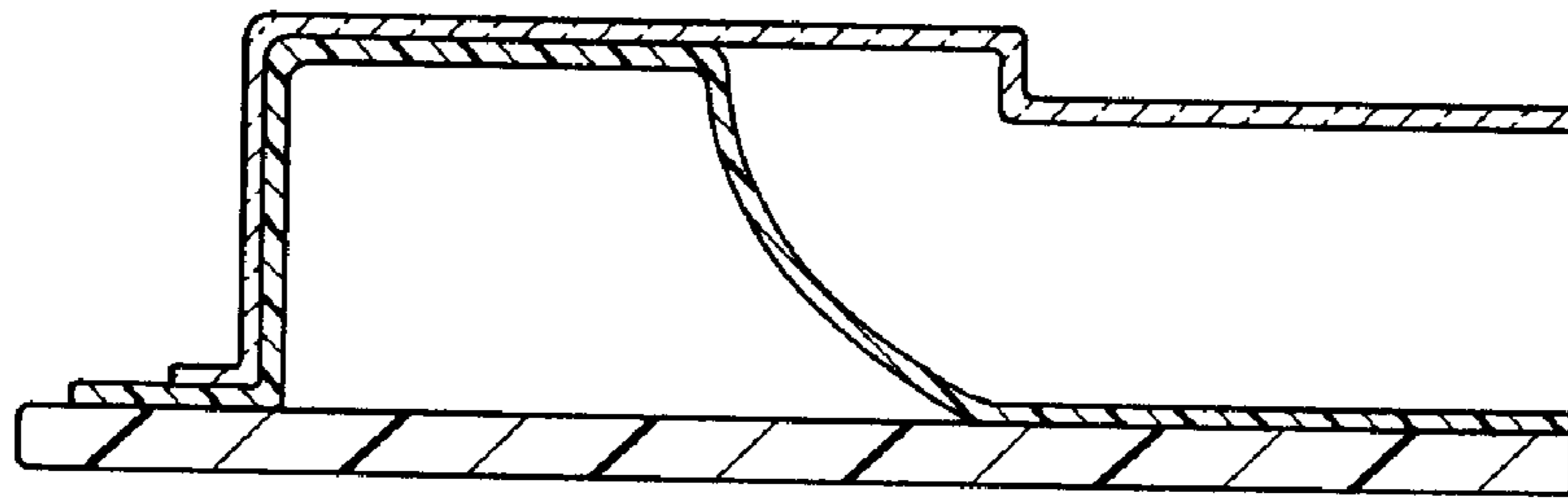


Fig.11

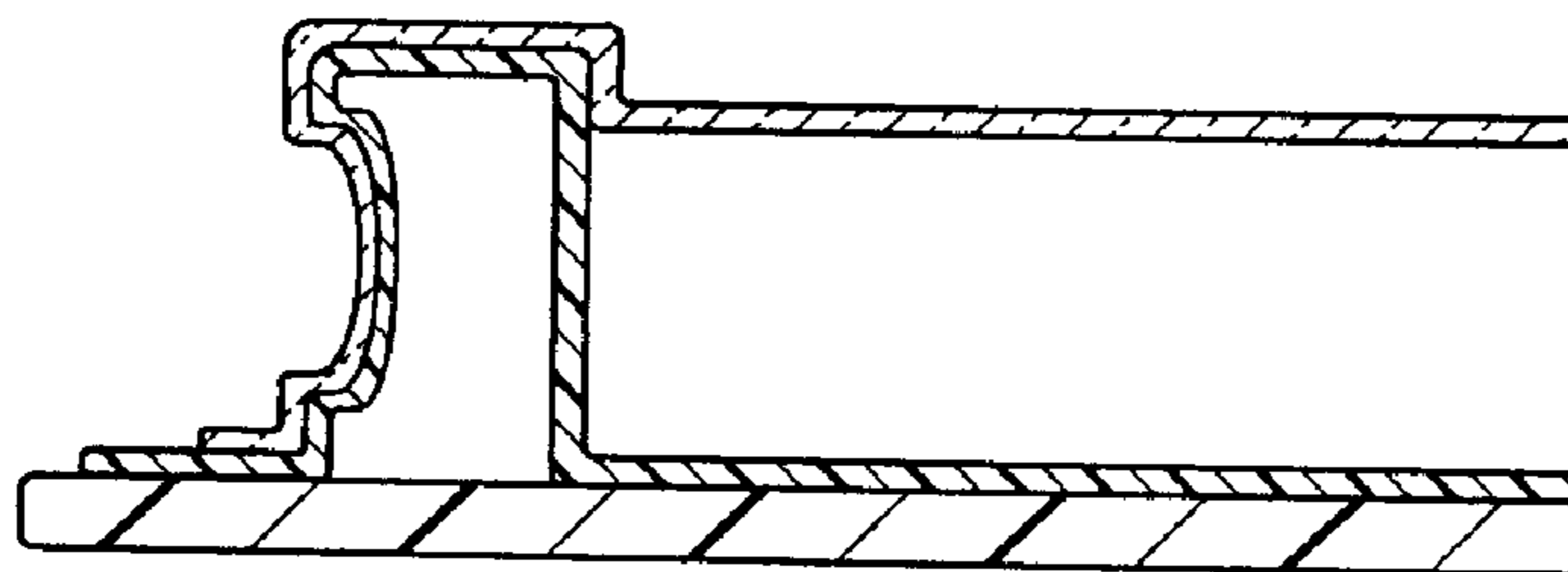


Fig.12

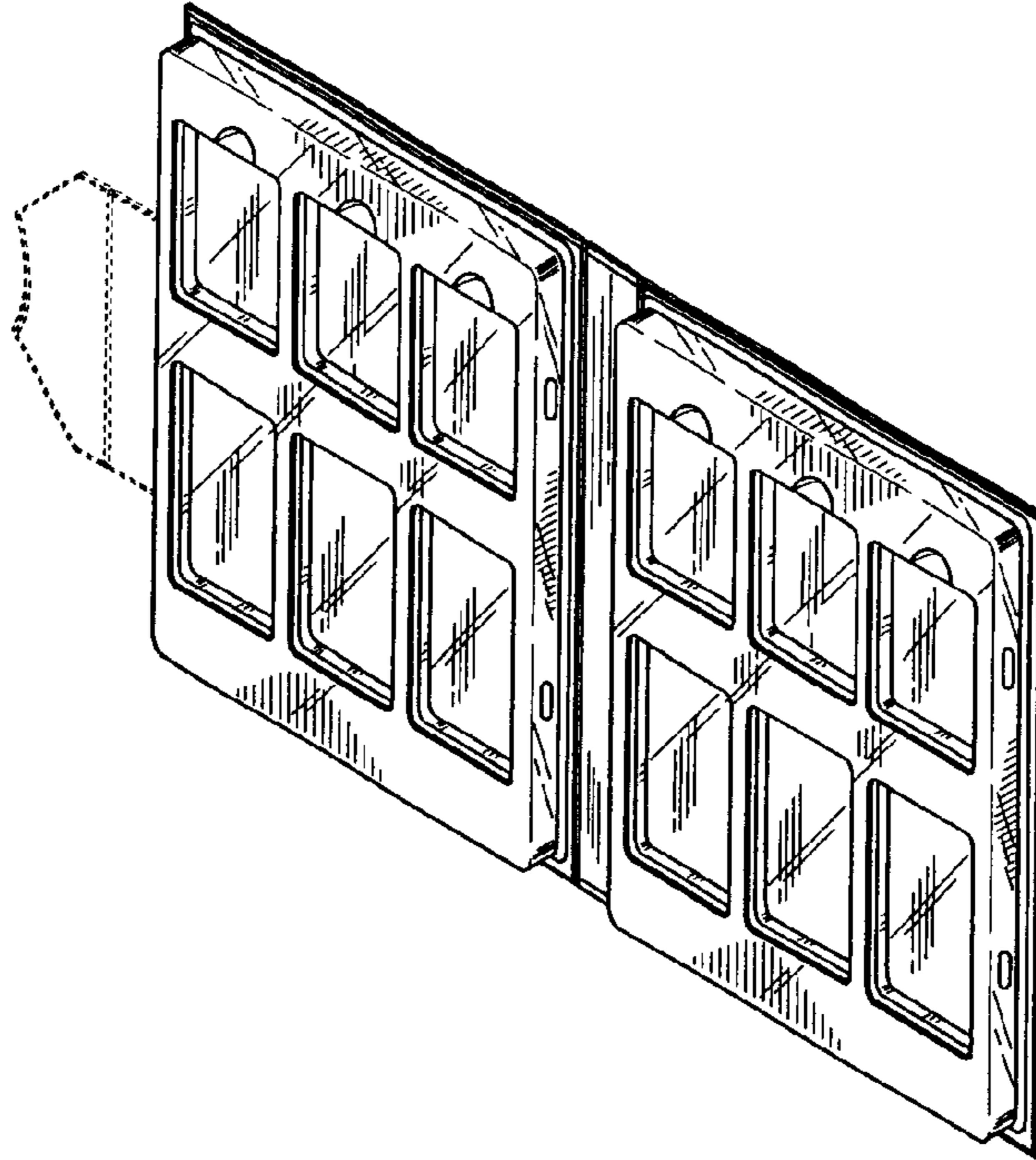


Fig.13

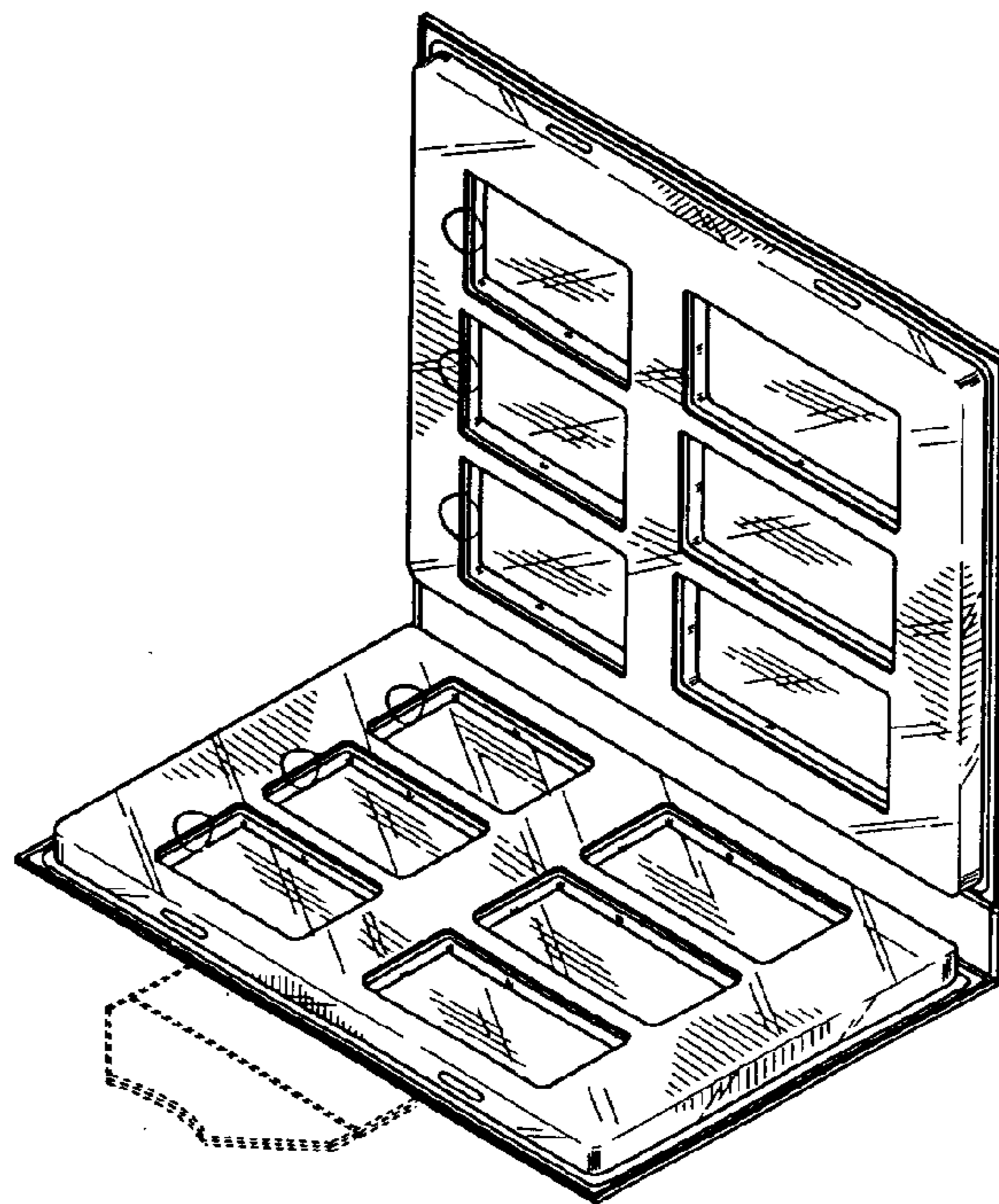


Fig. 14

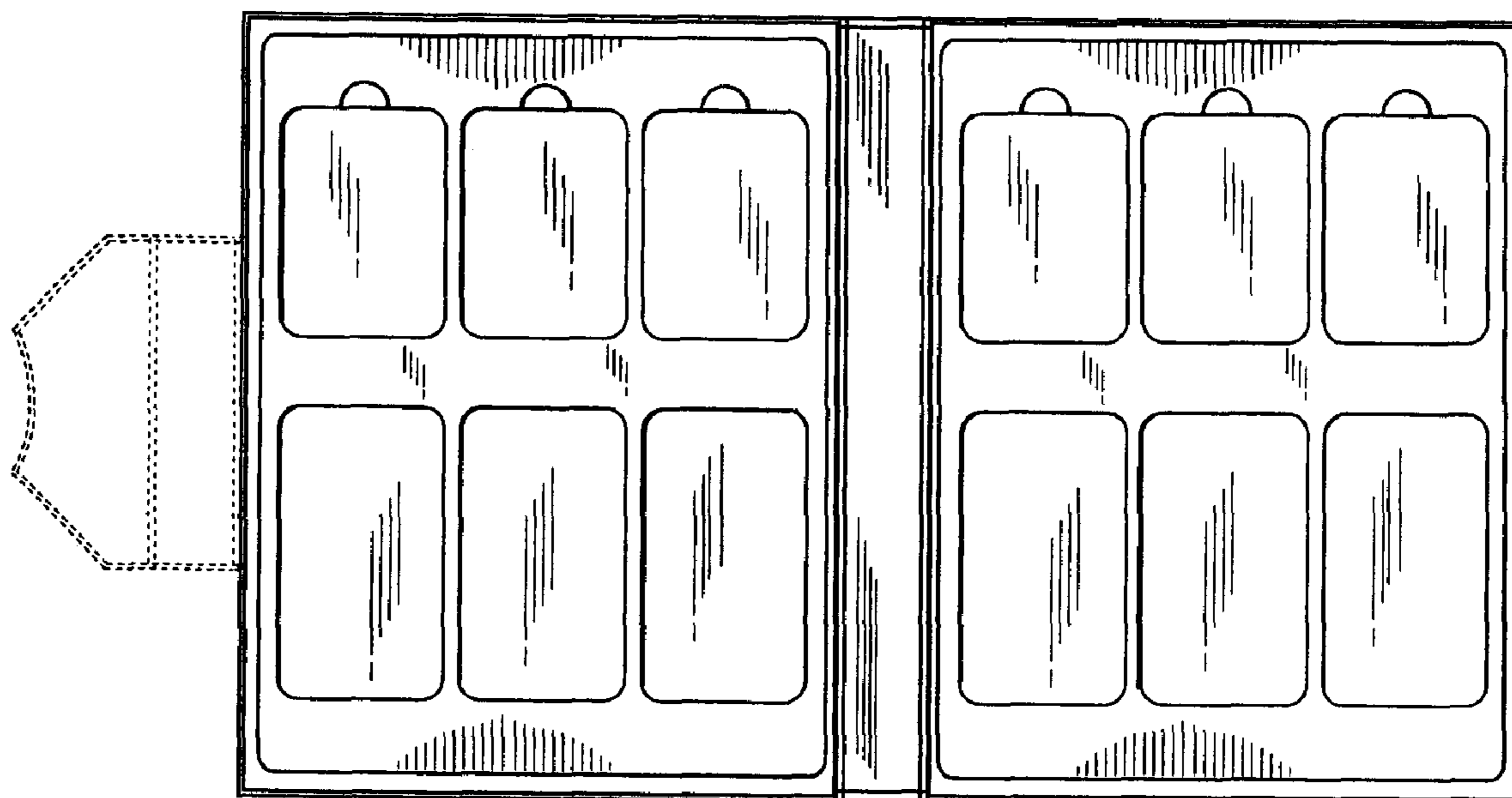


Fig. 15



Fig. 16



Fig.17

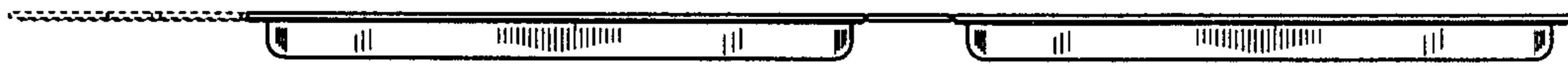


Fig.18

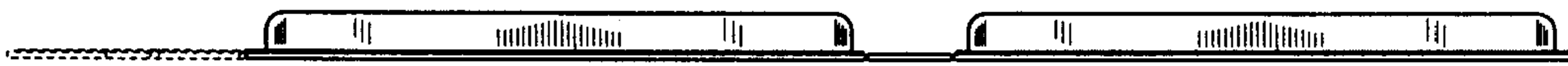


Fig.19

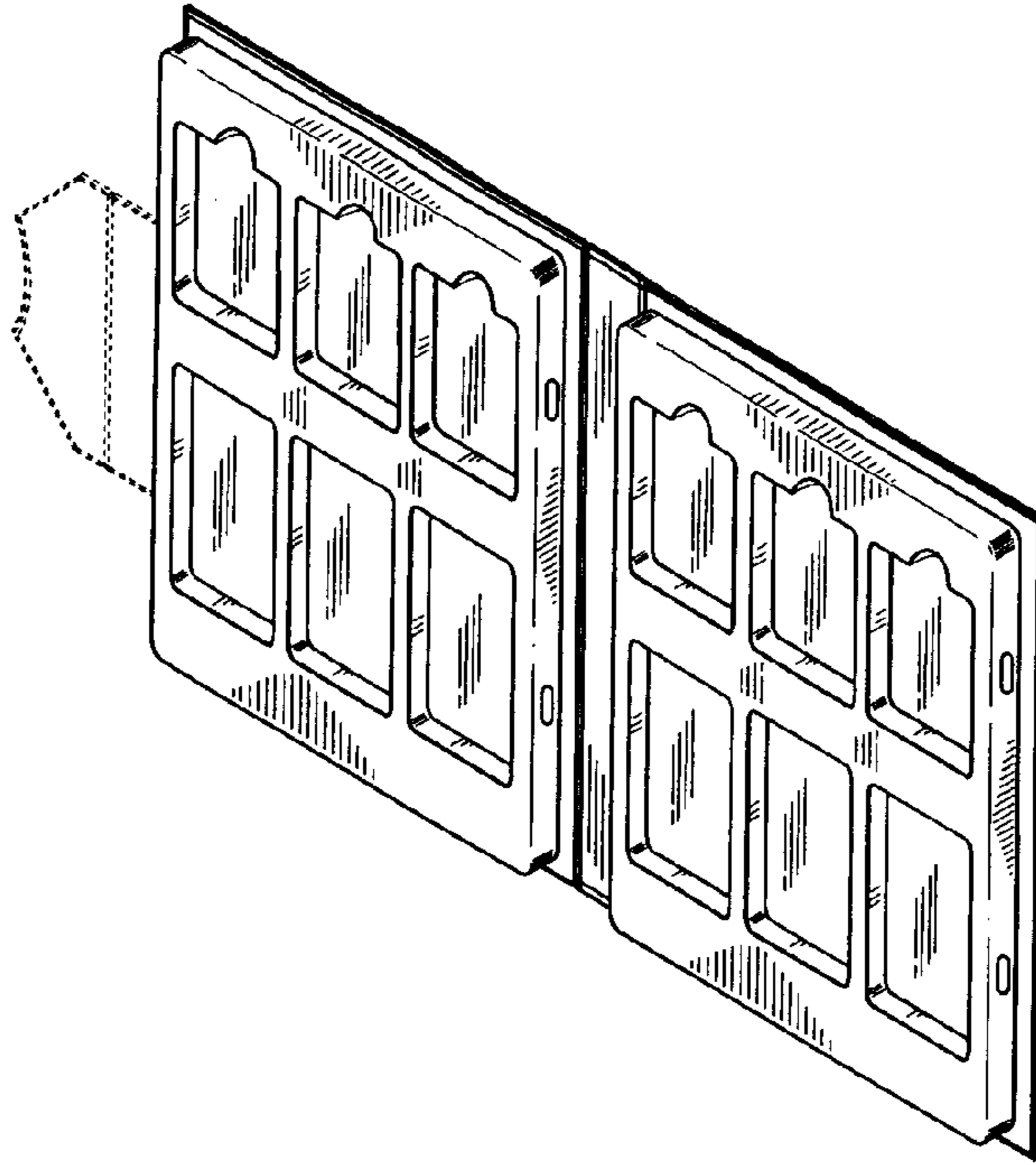


Fig.20

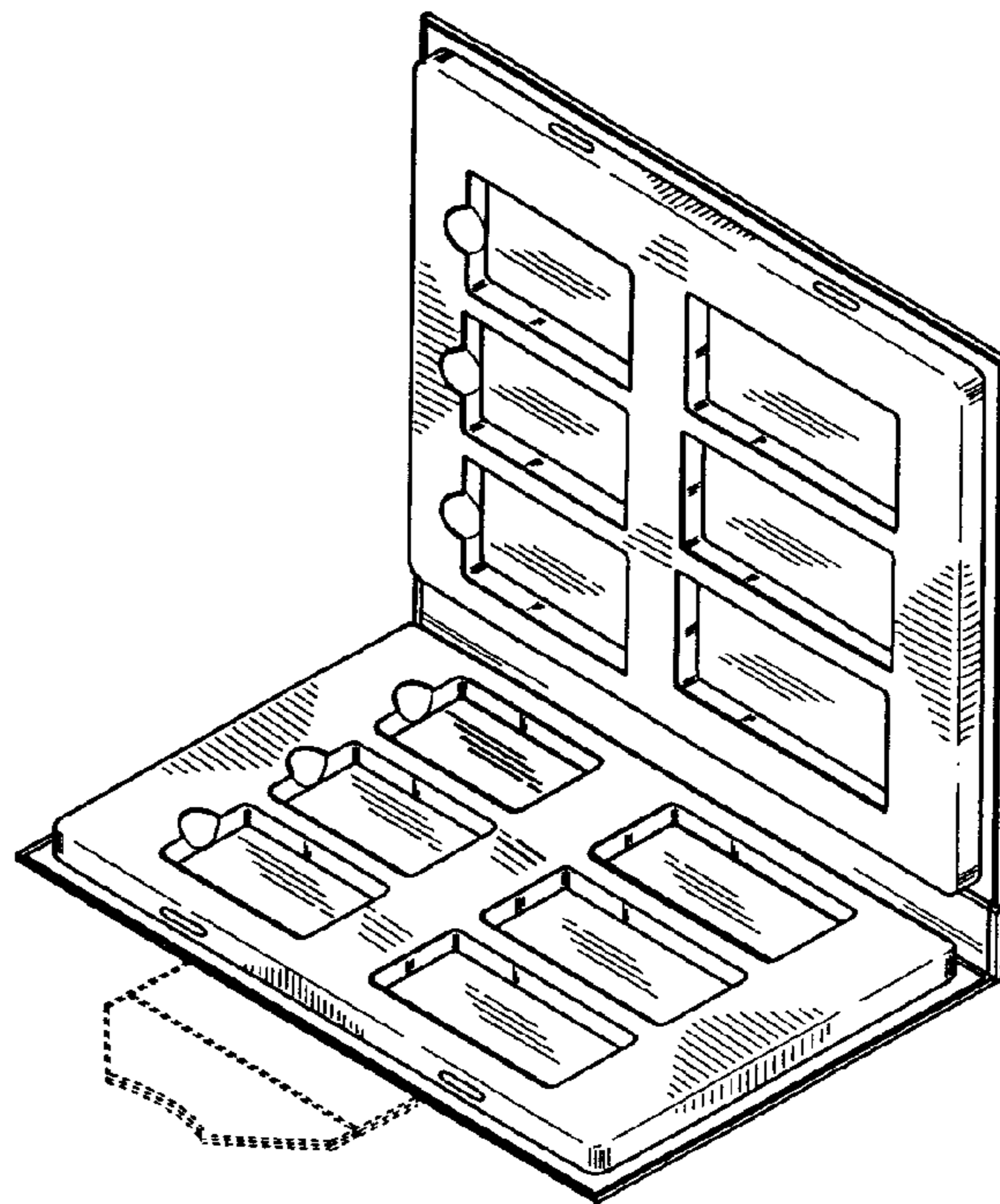


Fig.21

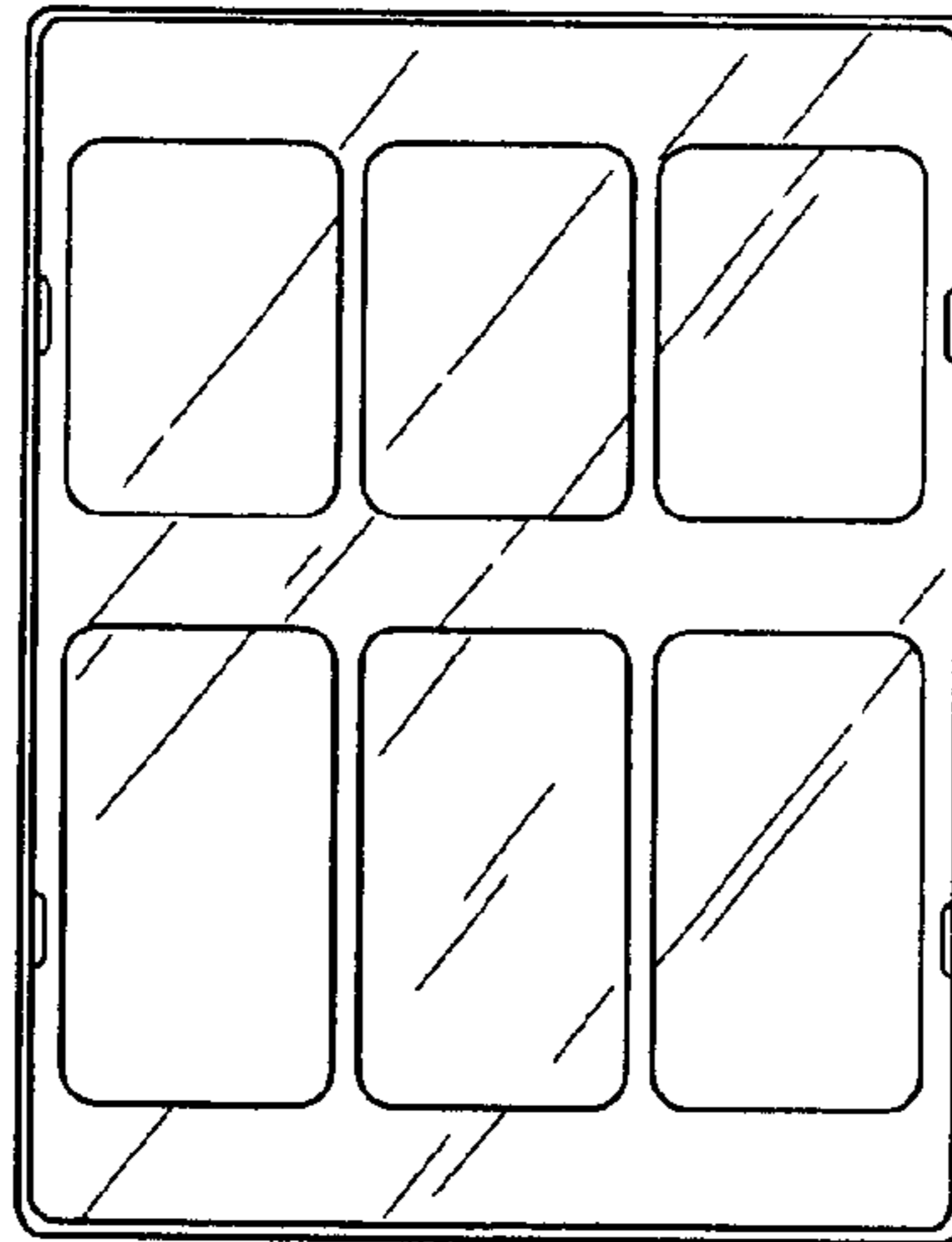


Fig.22

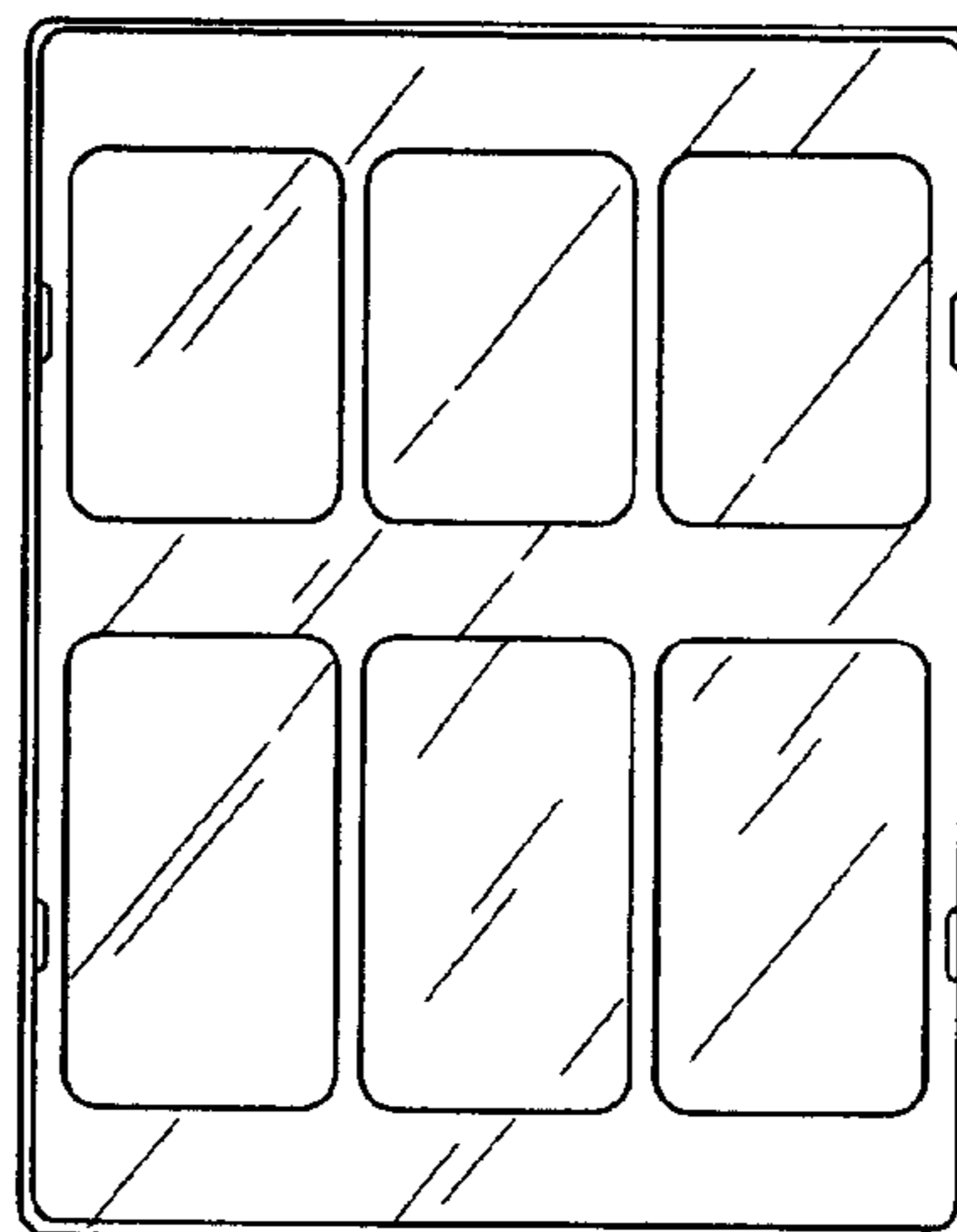


Fig.23



Fig.24



Fig.25

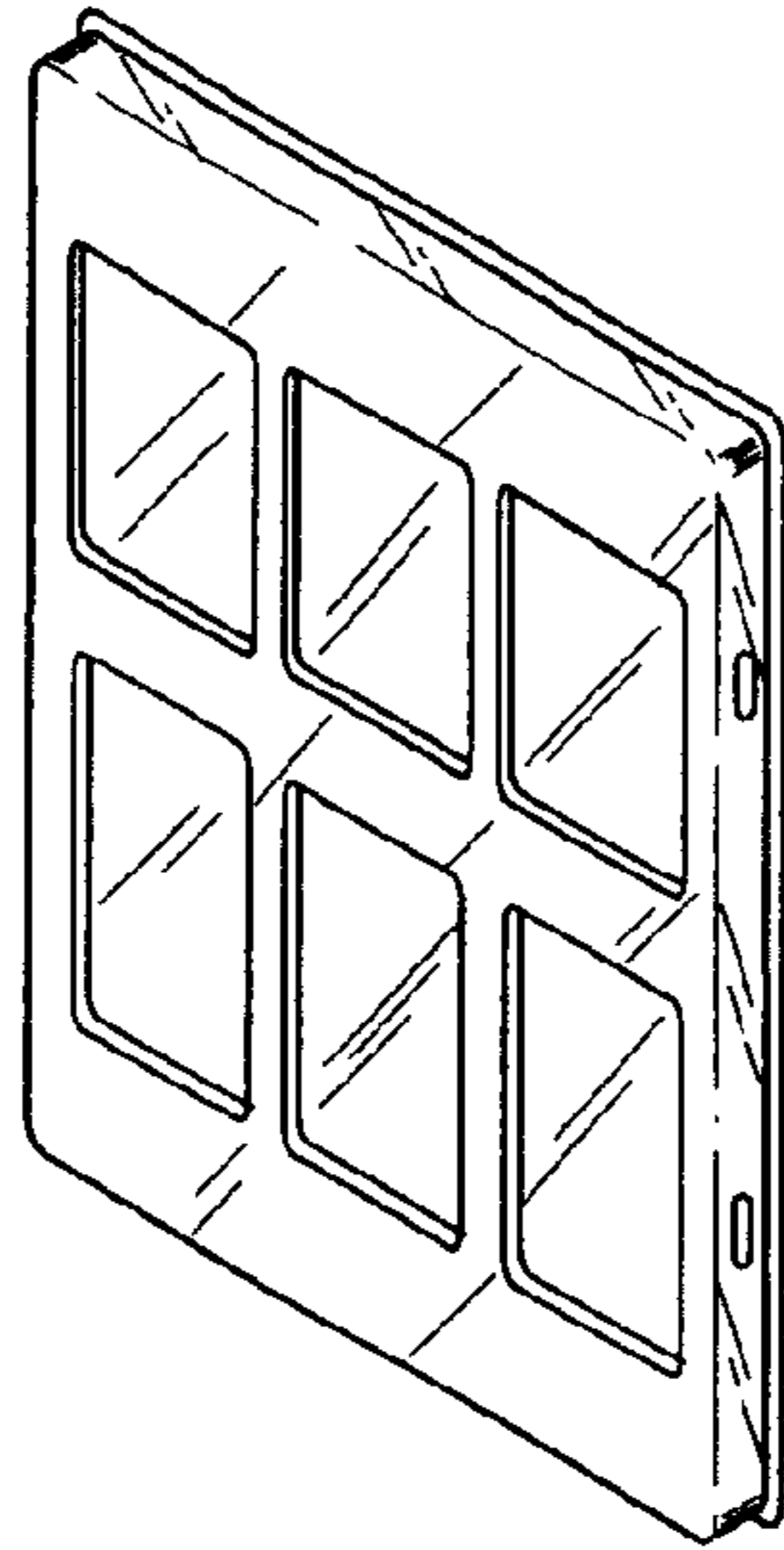


Fig.26

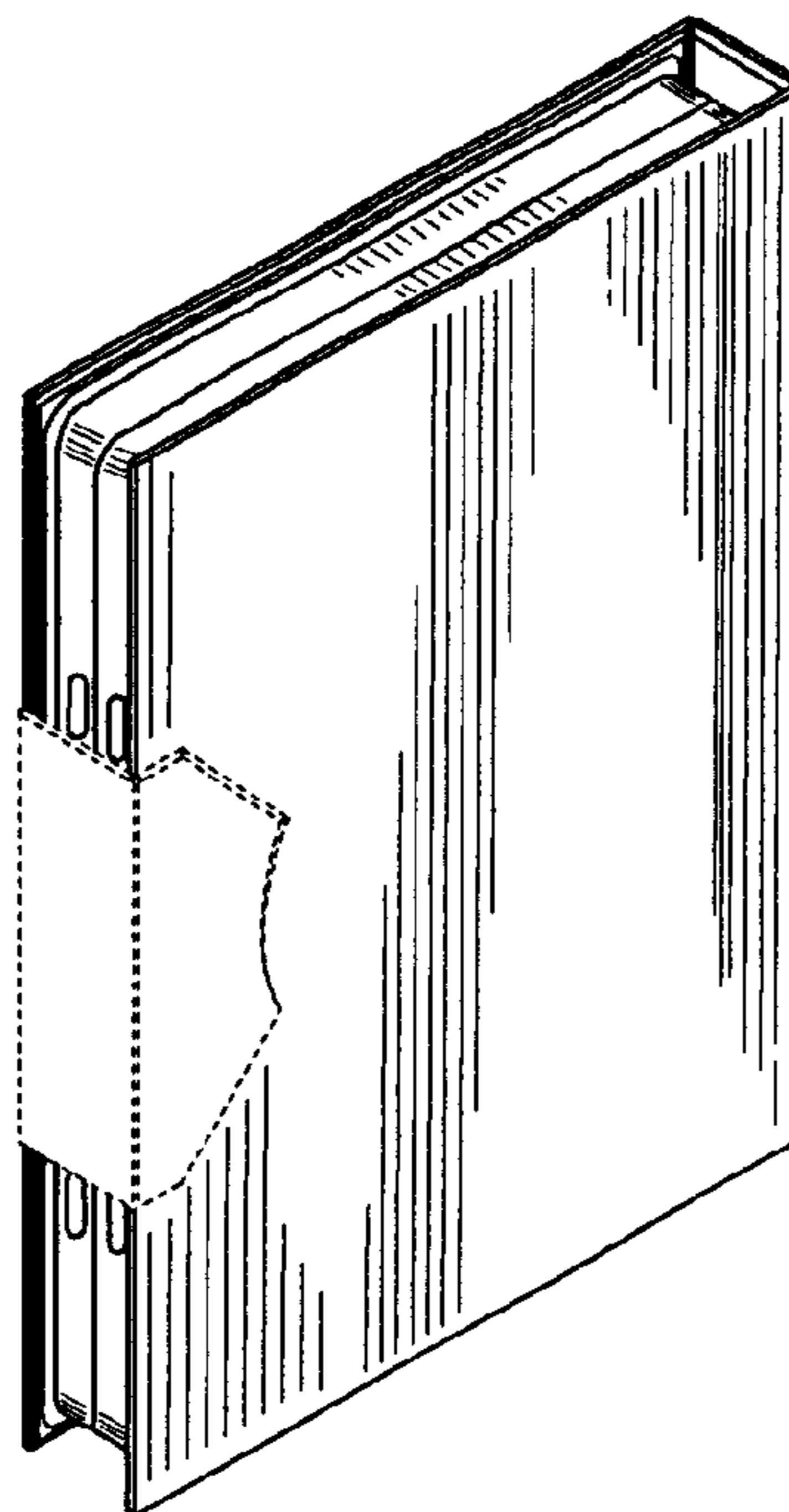


Fig.27

