



US00D527897S

(12) **United States Design Patent**
Gonzalez

(10) **Patent No.:** **US D527,897 S**

(45) **Date of Patent:** **** Sep. 12, 2006**

(54) **WALLET**

(75) Inventor: **Alvaro Gonzalez**, Florence (IT)

(73) Assignee: **J. Choo (Jersey) Limited**, Jersey (GB)

(**) Term: **14 Years**

(21) Appl. No.: **29/221,718**

(22) Filed: **Jan. 18, 2005**

(30) **Foreign Application Priority Data**

Aug. 4, 2004 (EM) 0002 13830-005

(51) **LOC (8) Cl.** **02-01**

(52) **U.S. Cl.** **D3/247**

(58) **Field of Classification Search** D3/232-253,
D3/303, 305, 318, 322, 324; 150/100, 107,
150/108, 110, 109, 118, 130, 900, 190, 121;
383/907

See application file for complete search history.

(56) **References Cited**

U.S. PATENT DOCUMENTS

847,295 A	3/1907	Randall	
D39,619 S	10/1908	Merzbach	
D137,864 S	* 5/1944	Joles	D3/243
D152,120 S	12/1948	Murphy	
D164,621 S	* 9/1951	Bienen	D3/233
D240,090 S	5/1976	Siegel	
D287,428 S	* 12/1986	Knoepke	D3/299
D324,771 S	* 3/1992	Dixsaut	D3/243
D326,016 S	5/1992	Guaresi	
D332,006 S	* 12/1992	Ross	D3/243
D342,383 S	* 12/1993	Fuchs et al.	D3/239
5,503,204 A	* 4/1996	Byers et al.	150/105
D418,976 S	* 1/2000	du Sartel	D3/243

D422,405 S	* 4/2000	du Sartel	D3/243
D434,219 S	* 11/2000	Haapala	D3/246
D485,680 S	* 1/2004	Hasenfrantz	D3/265
D492,482 S	* 7/2004	Hanley	D3/243
D497,248 S	* 10/2004	Anderson et al.	D3/238
D498,360 S	* 11/2004	de Baschmakoff	D3/243
D501,998 S	* 2/2005	Gonzalez	D3/326
D502,813 S	3/2005	Gonzalez	
D507,403 S	* 7/2005	Hanley	D3/243
D507,873 S	* 8/2005	Hanley	D3/243

OTHER PUBLICATIONS

J. Choo (Jersey) Limited, Tulita Flap Hobo, Jimmy Choo Cruise 2003 Catalog, United States.

U.S. Trademark Appl. No. 76/584,973, filed Apr. 2, 2004.

* cited by examiner

Primary Examiner—Marcus A. Jackson

Assistant Examiner—Melanie Levy

(74) *Attorney, Agent, or Firm*—Fross Zelnick Lehrman & Zissu, P.C.; Lawrence E. Apolzon, Esq.

(57) **CLAIM**

The ornamental design for a wallet, as shown and described.

DESCRIPTION

FIG. 1 is a front perspective view of a wallet showing my design;

FIG. 2 is a front view of the wallet shown in FIG. 1;

FIG. 3 is a rear view of the wallet shown in FIG. 1;

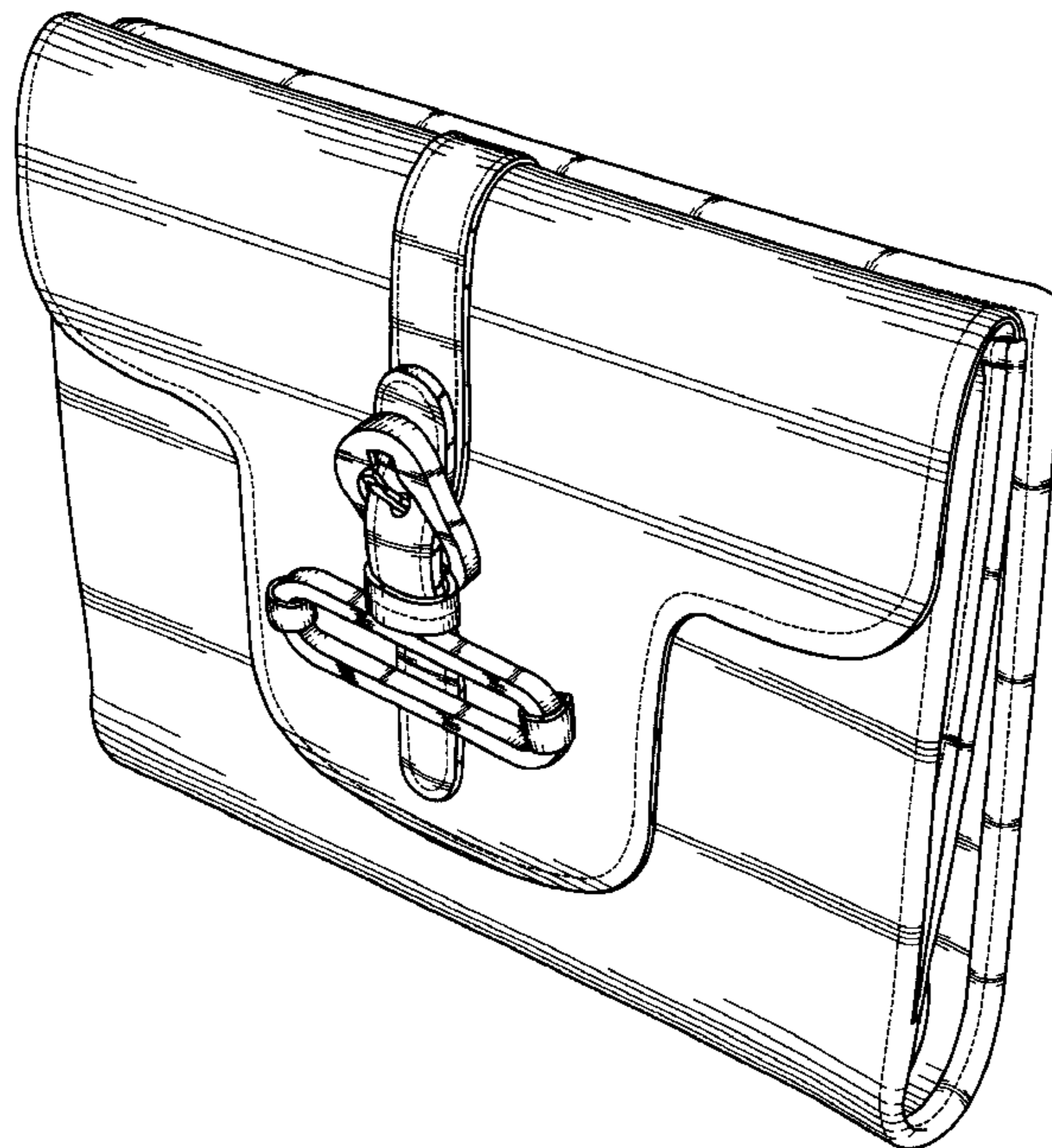
FIG. 4 is a top view of the wallet in FIG. 1;

FIG. 5 is a bottom view of the wallet shown in FIG. 1; and,

FIG. 6 is a right side view of the wallet shown in FIG. 1 (the left side view being a mirror image).

The dashed lines are understood to represent stitching.

1 Claim, 5 Drawing Sheets



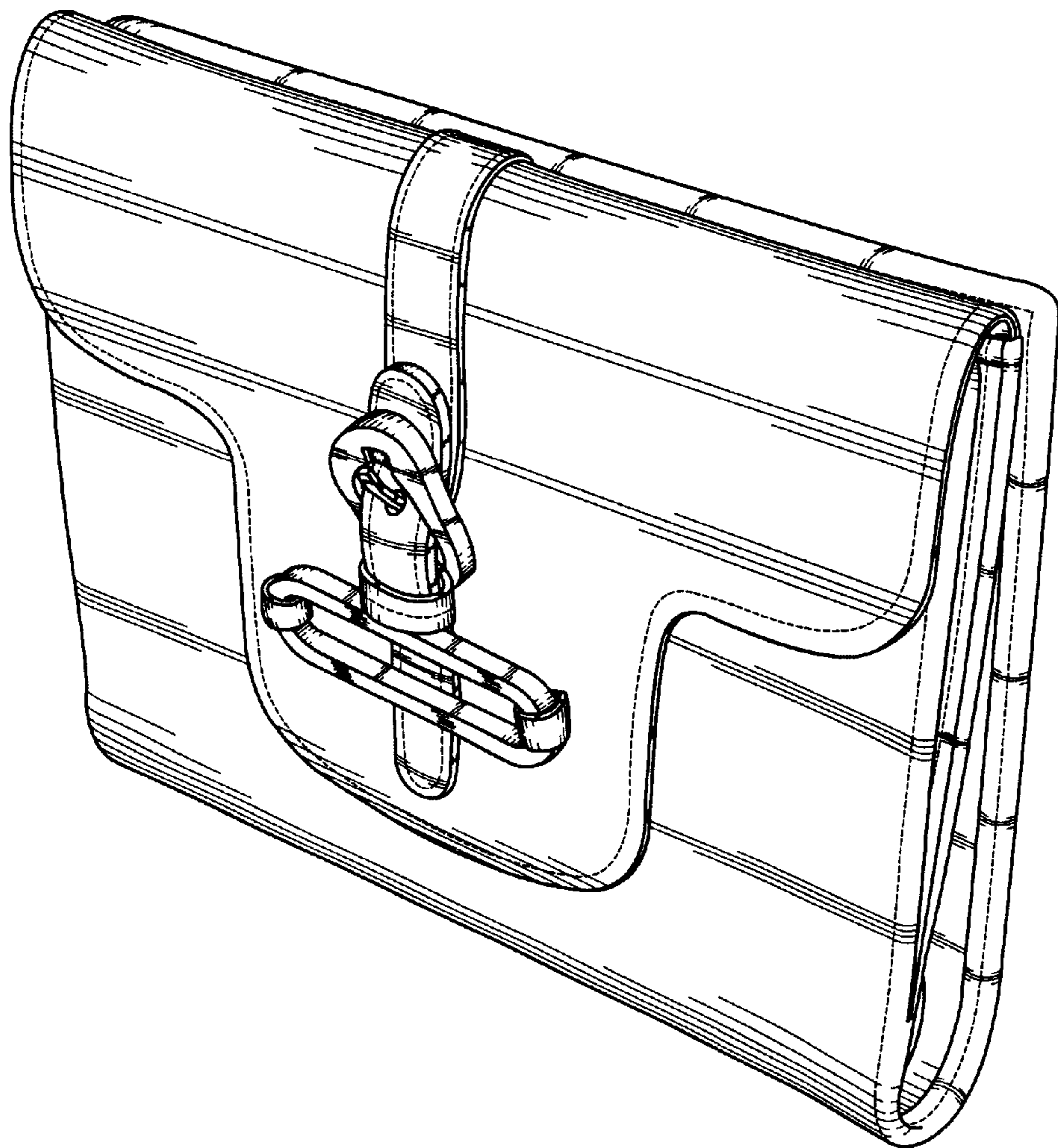


FIG. 1

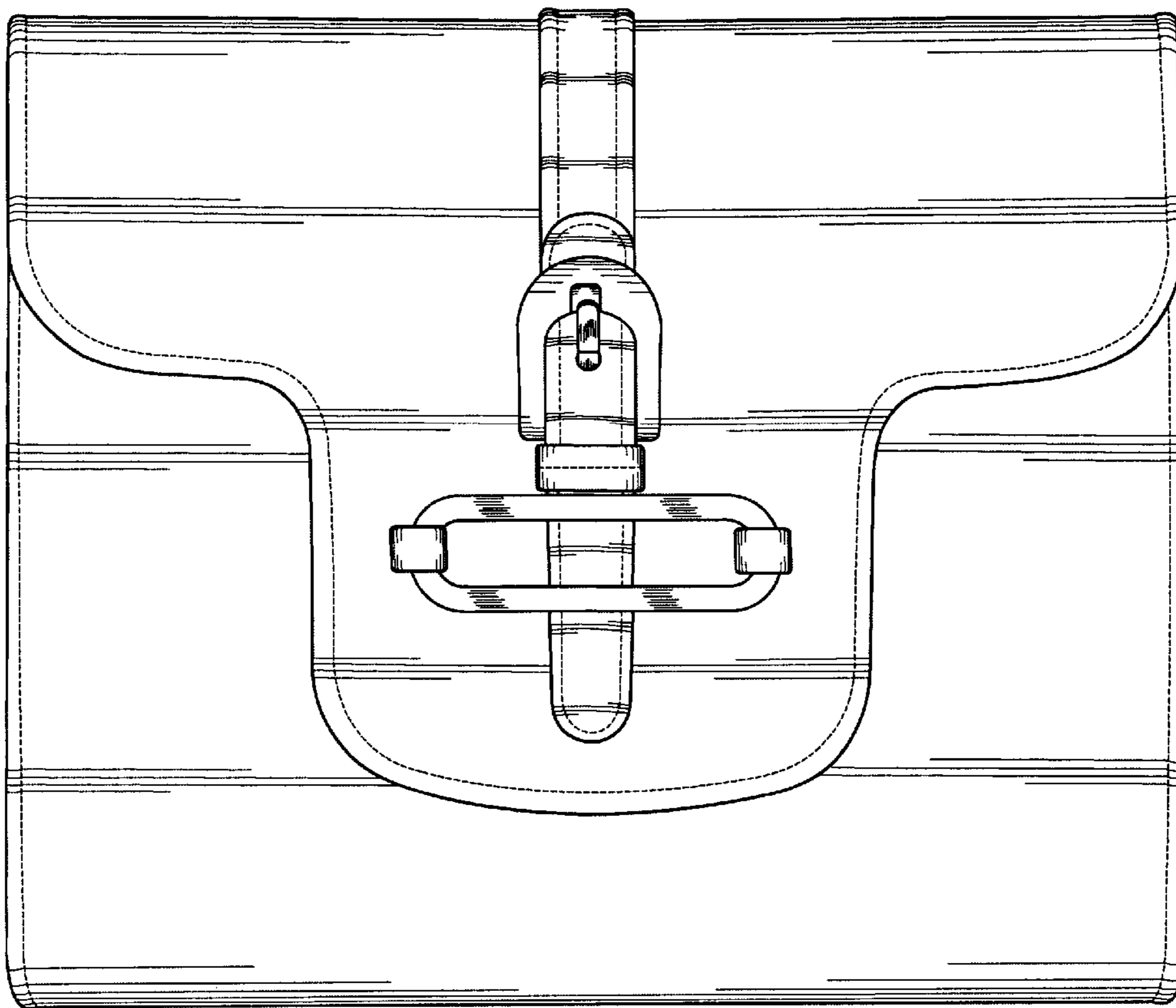


FIG. 2

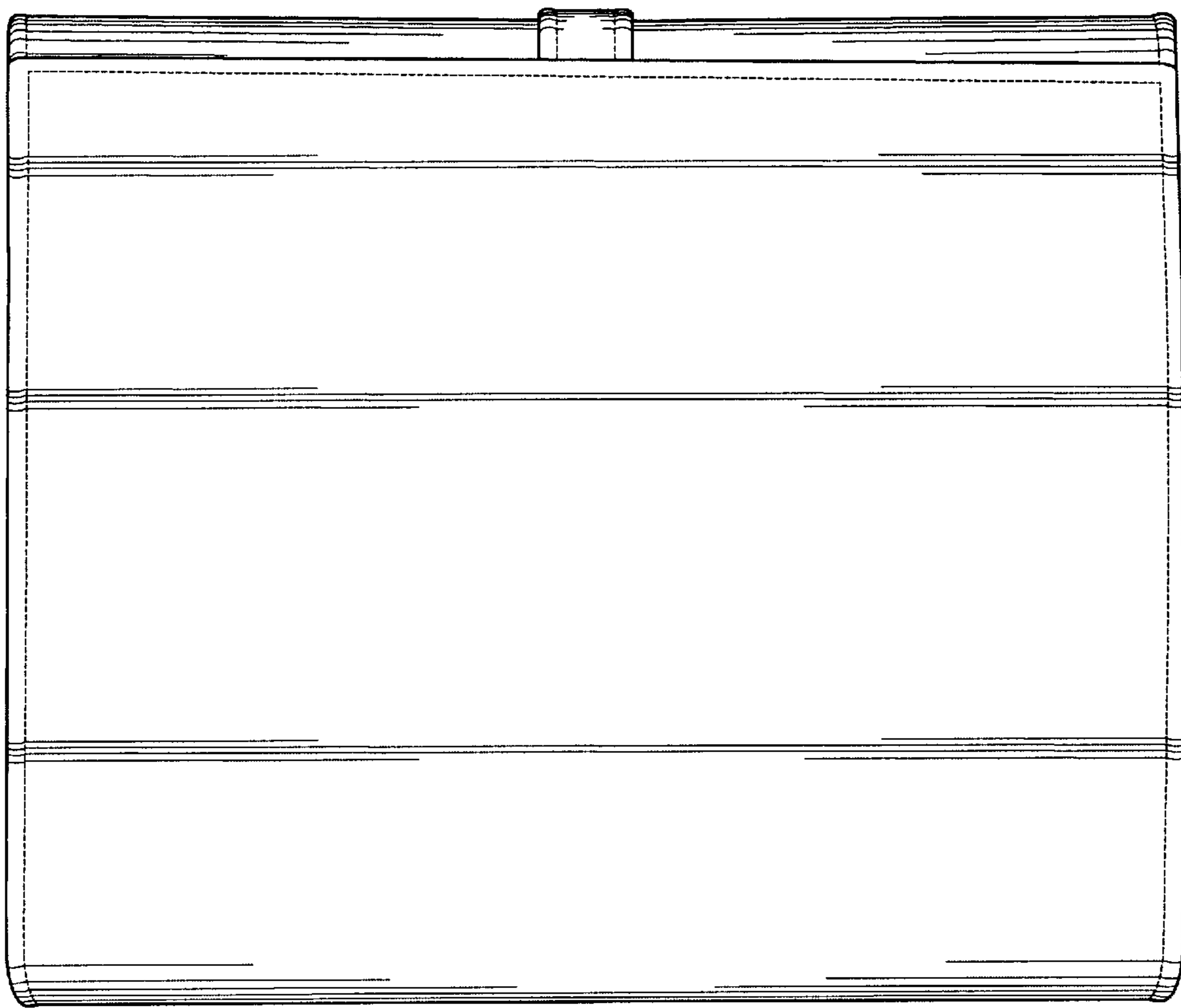


FIG. 3

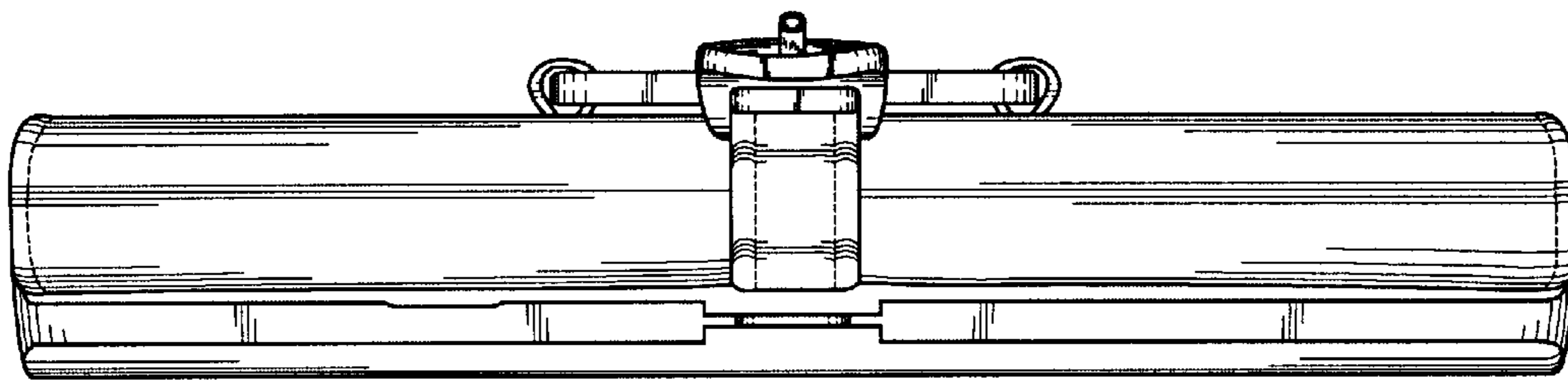


FIG. 4

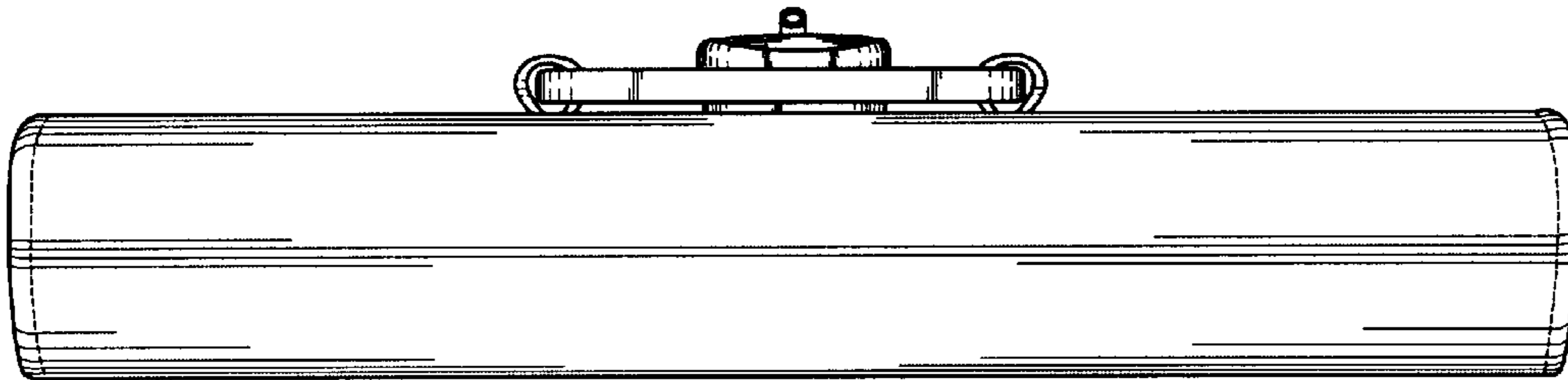


FIG. 5

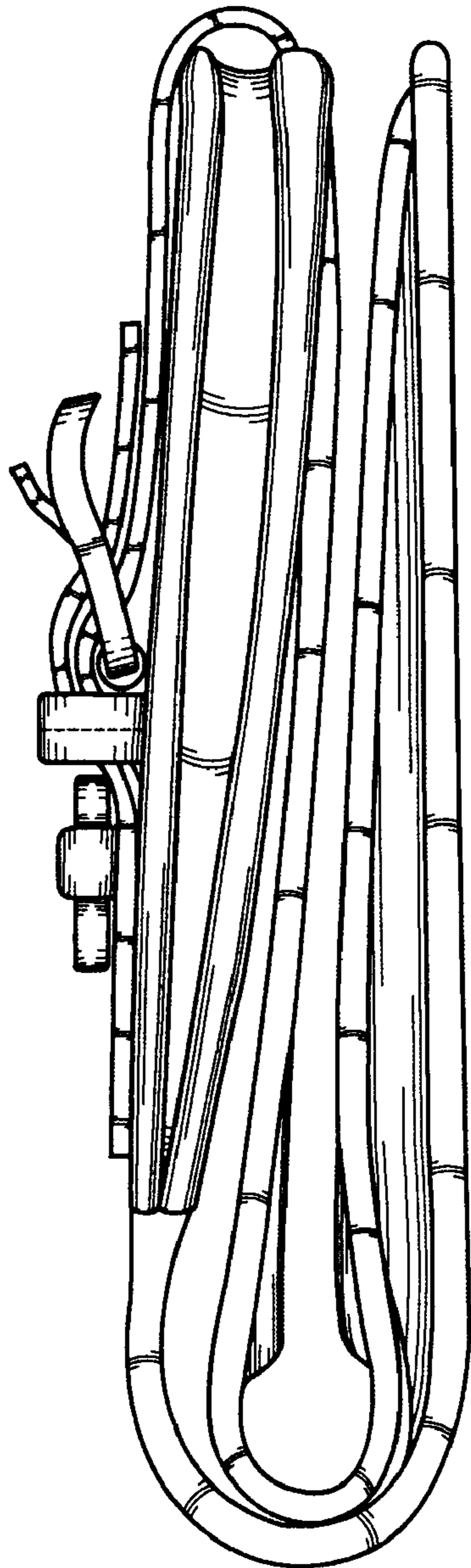


FIG. 6