



US00D527893S

(12) **United States Design Patent**  
**Martz**

(10) **Patent No.:** **US D527,893 S**

(45) **Date of Patent:** **\*\* Sep. 12, 2006**

(54) **ANKLE CELL PHONE HOLDER**

(76) **Inventor:** **Laura Martz**, 420 Spring Rd.,  
Cleveland, OH (US) 44109

(\*\*) **Term:** **14 Years**

(21) **Appl. No.:** **29/234,322**

(22) **Filed:** **Jul. 18, 2005**

(51) **LOC (8) Cl.** ..... **03-01**

(52) **U.S. Cl.** ..... **D3/218**

(58) **Field of Classification Search** ..... D3/218,  
D3/219, 215, 224, 230; 224/219, 222, 267,  
224/930, 250, 165, 253; 455/575.8, 575  
See application file for complete search history.

(56) **References Cited**

**U.S. PATENT DOCUMENTS**

5,511,702 A *	4/1996	Yang	.....	224/219
D503,038 S *	3/2005	Tabata	.....	D3/218
D515,806 S *	2/2006	Rice	.....	D3/218
2004/0094584 A1 *	5/2004	Tabata	.....	224/221

\* cited by examiner

*Primary Examiner*—Catherine R. Oliver

(74) *Attorney, Agent, or Firm*—Lindon & Lindon, LLC;  
James Lindon

(57) **CLAIM**

I claim the ornamental design for an ankle cell phone holder,  
as shown.

**DESCRIPTION**

The article may be used as a holder for a wide variety of  
objects, such as for example a cell phone. The article may be  
worn in a wide variety of ways, such as for example around  
the ankle.

FIG. 1 is a front perspective view of the ankle cell phone  
holder according to the invention;

FIG. 2 is a front elevational view of the ankle cell phone  
holder of FIG. 1.

FIG. 3 is a rear elevational view of the ankle cell phone  
holder of FIG. 1.

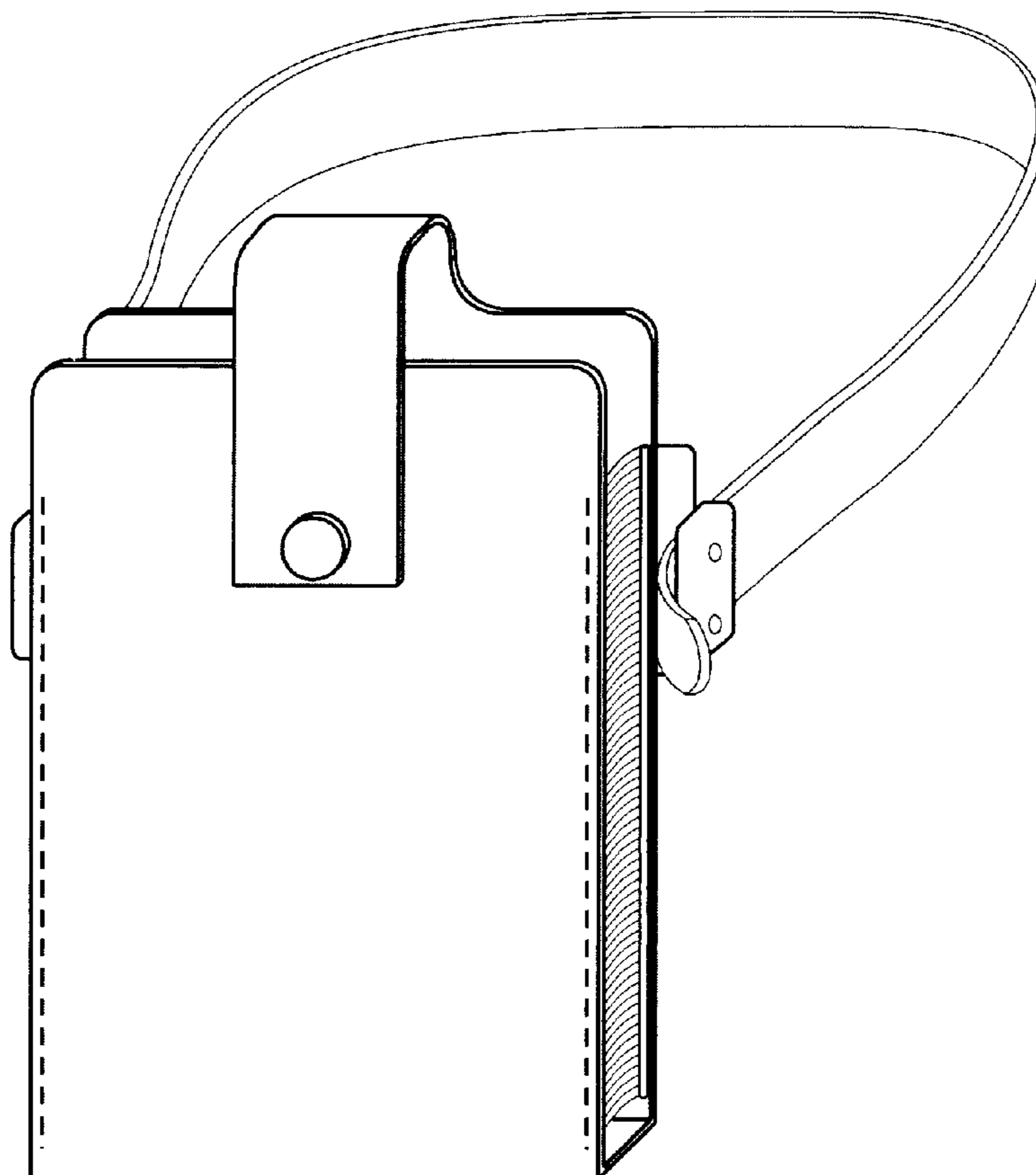
FIG. 4 is a side elevational view of the ankle cell phone  
holder of FIG. 1.

FIG. 5 is a opposite side elevational view of the ankle cell  
phone holder of FIG. 1.

FIG. 6 is a top plan view of the ankle cell phone holder of  
FIG. 1; and,

FIG. 7 is a bottom plan view of the ankle cell phone holder  
of FIG. 1.

**1 Claim, 7 Drawing Sheets**



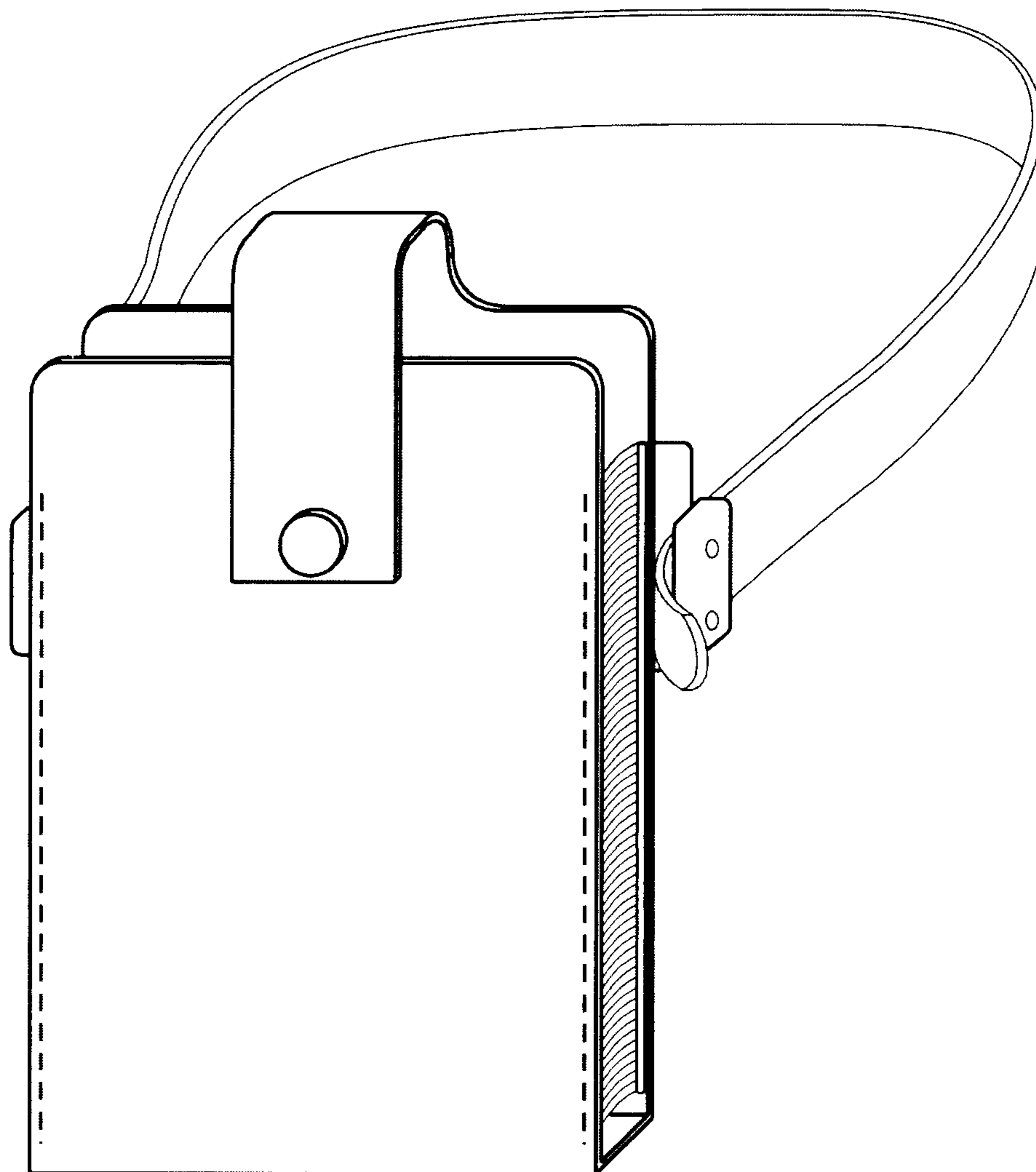


Fig. 1

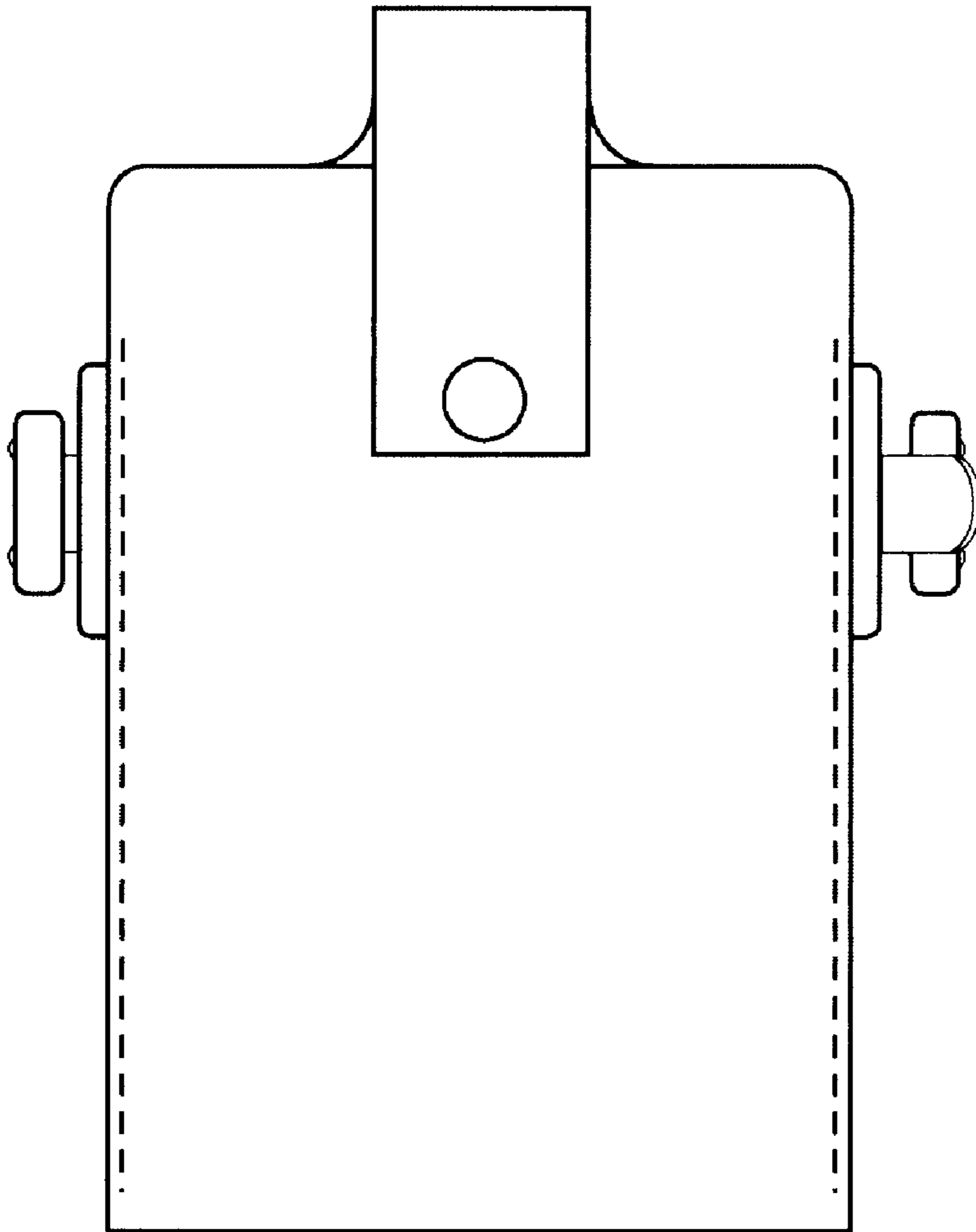


Fig. 2

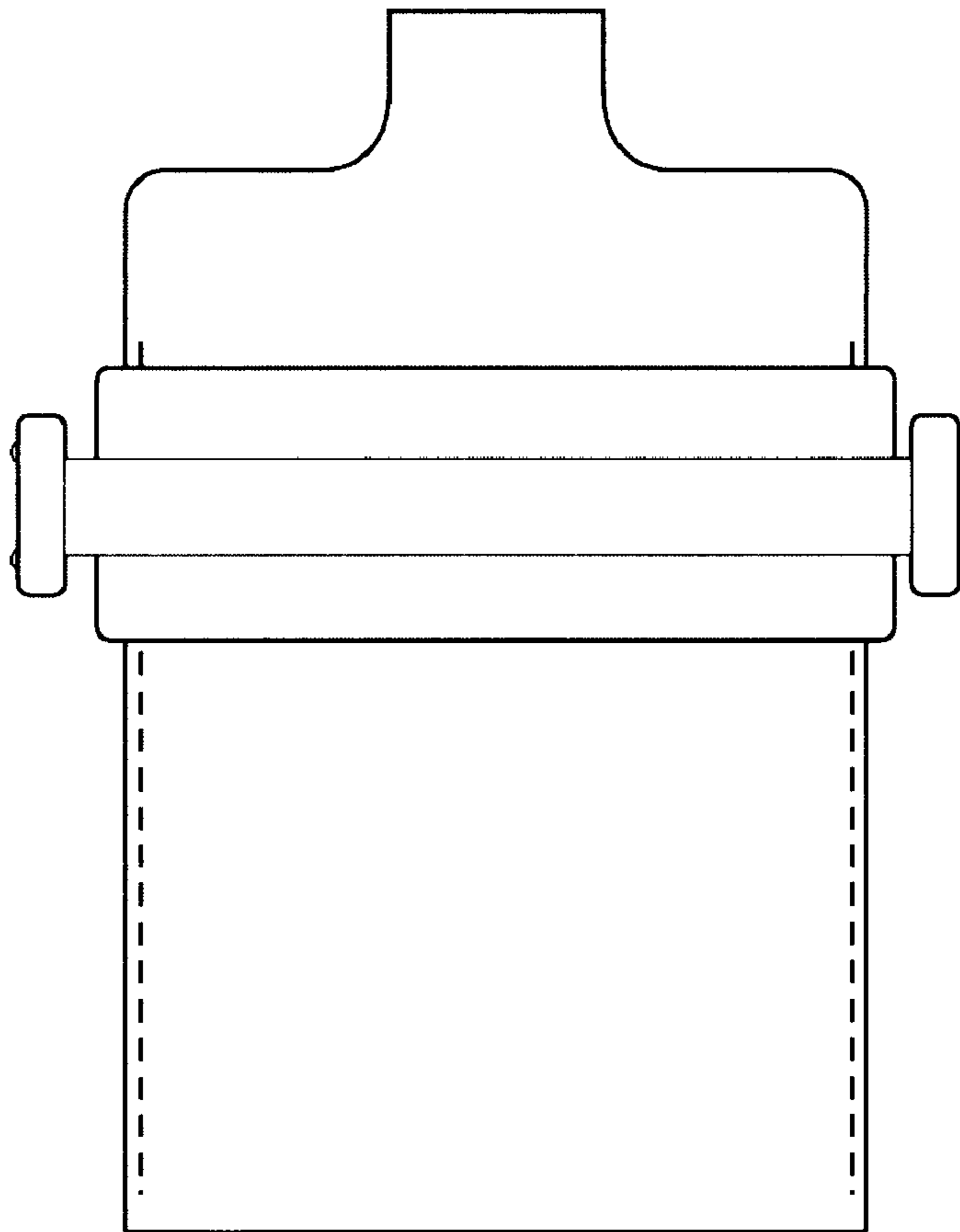


Fig. 3

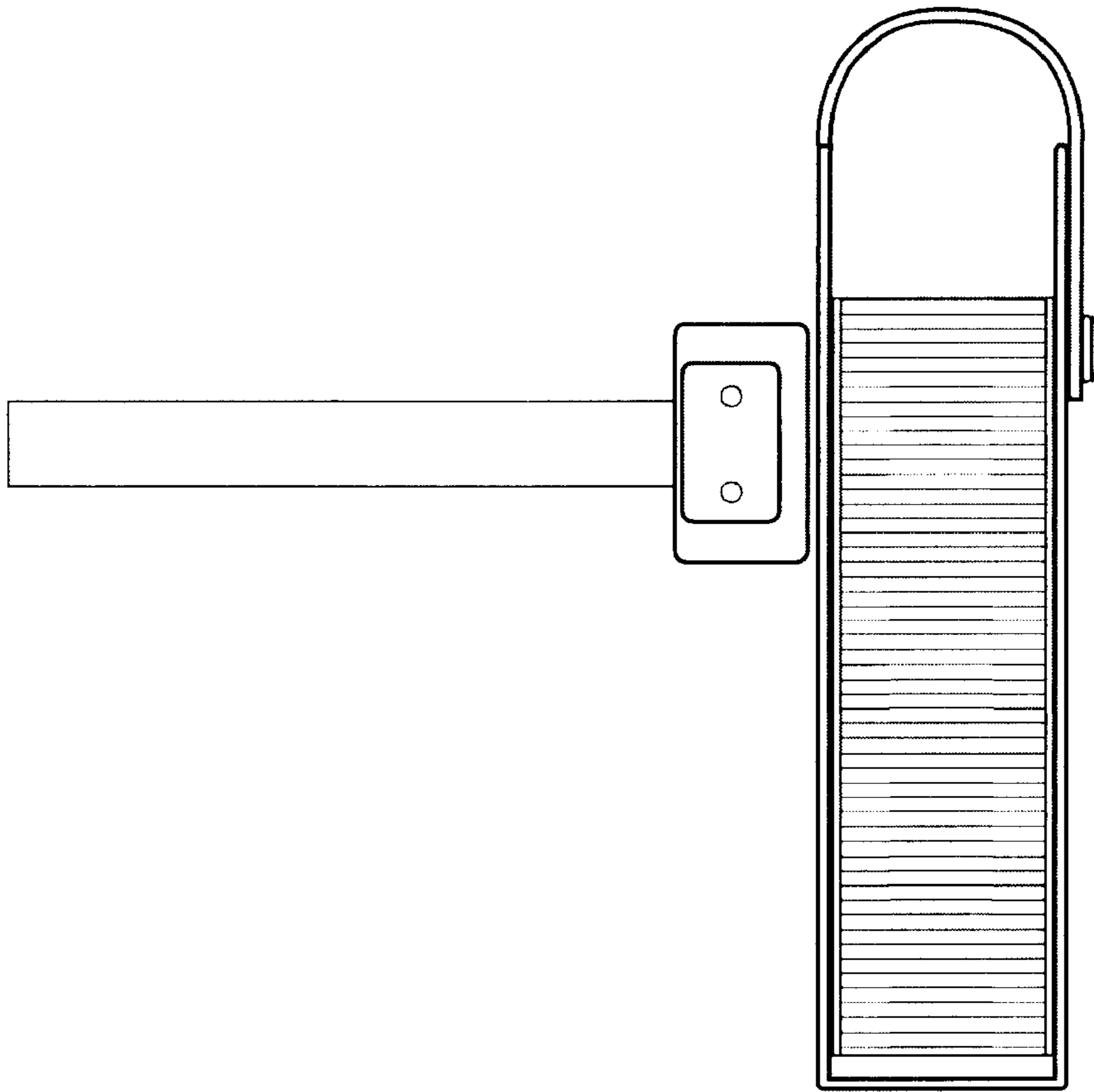


Fig. 4

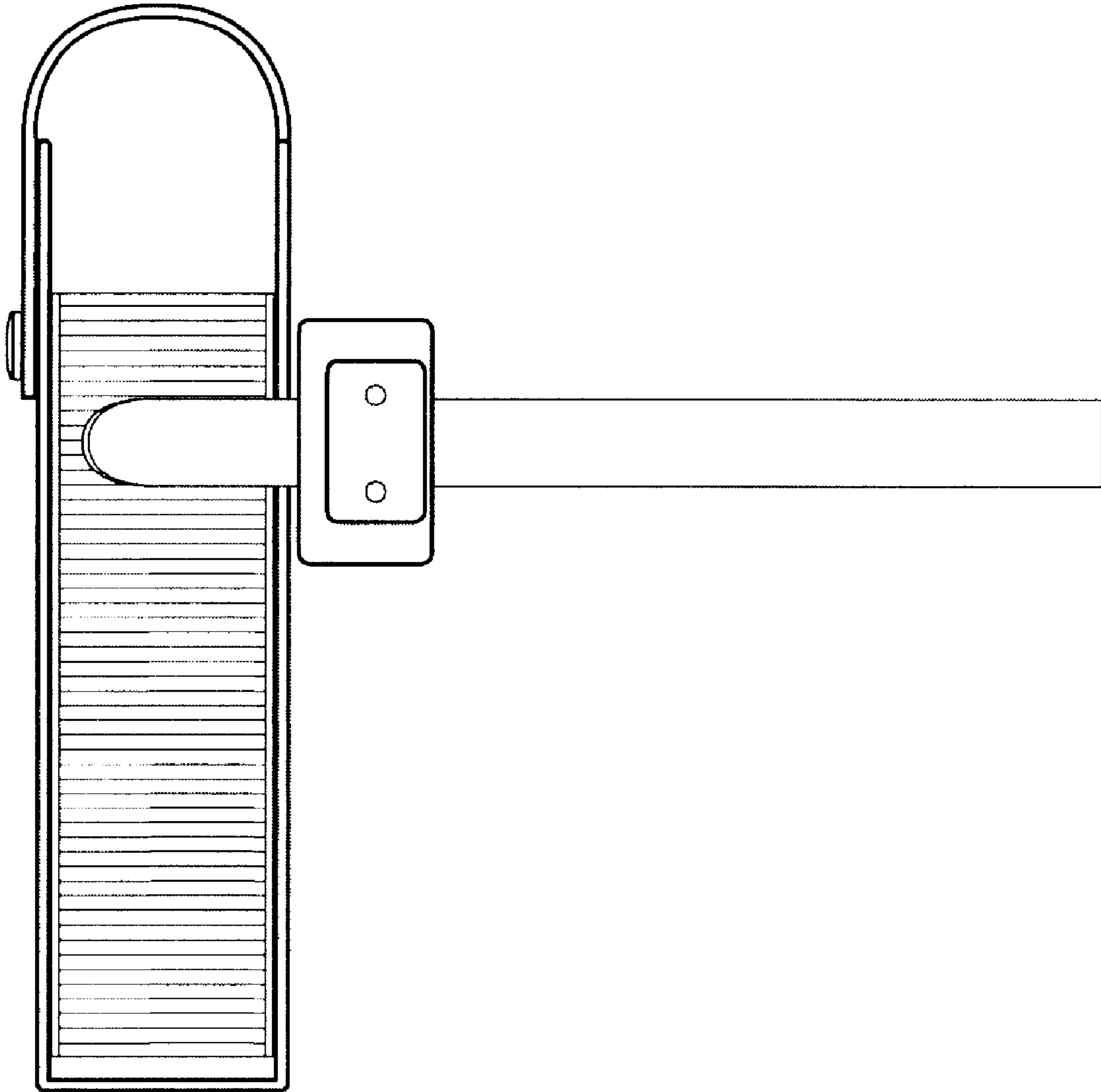


Fig. 5

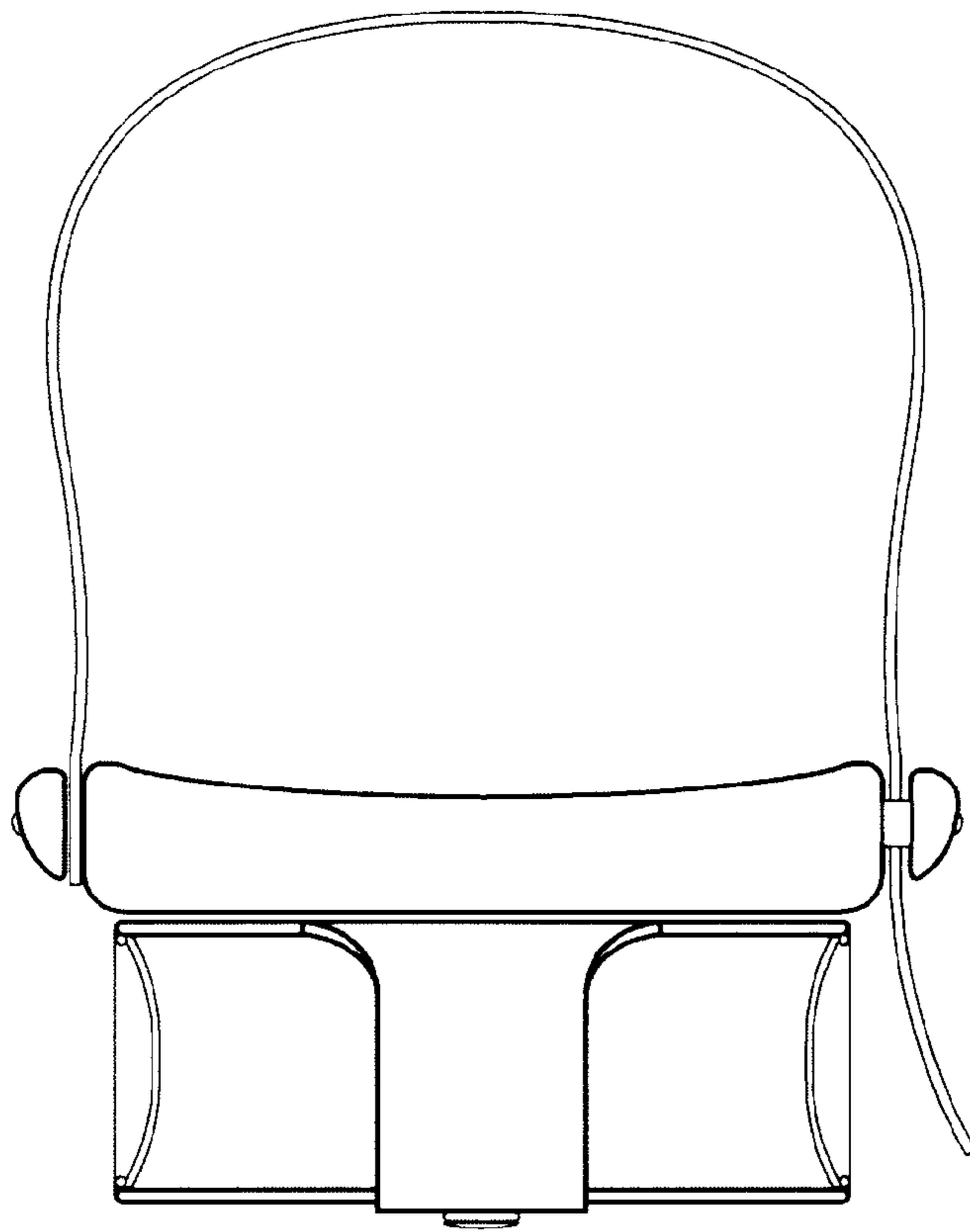


Fig. 6

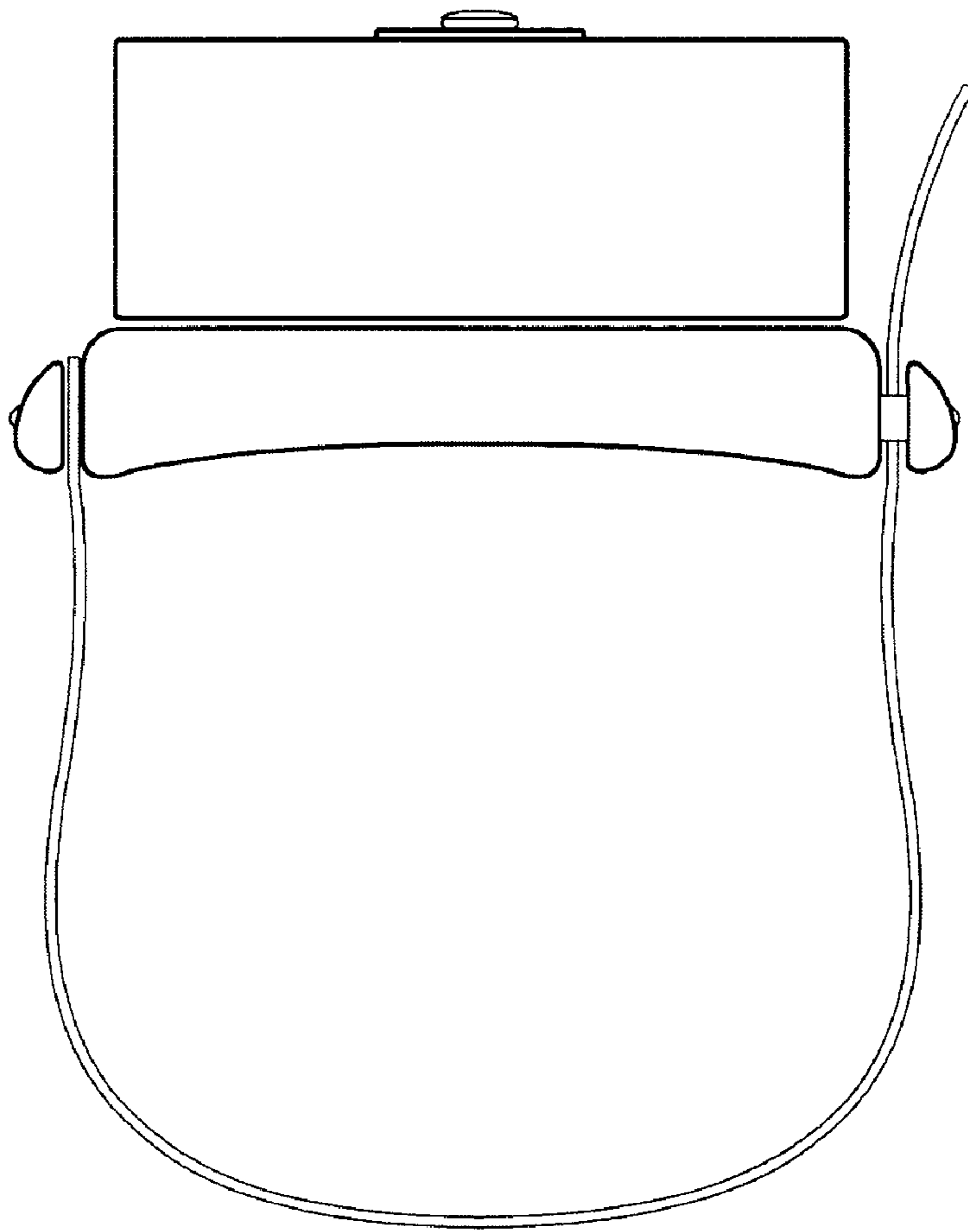


Fig. 7