



US00D527892S

(12) **United States Design Patent** (10) **Patent No.:** **US D527,892 S**  
**Yang** (45) **Date of Patent:** **\*\* Sep. 12, 2006**

- |   |  |
|---|--|
| <p>(54) <b>PRINCESS BACKPACK</b></p> <p>(76) Inventor: <b>Liping Yang</b>, 1001 Judson Ave.,<br/>Evanston, IL (US) 60202</p> <p>(**) Term: <b>14 Years</b></p> <p>(21) Appl. No.: <b>29/201,150</b></p> <p>(22) Filed: <b>Mar. 11, 2004</b></p> | <p>D375,622 S * 11/1996 Croft ..... D3/217</p> <p>D400,350 S * 11/1998 Minden ..... D3/216</p> <p>5,897,042 A * 4/1999 Sims ..... 224/576</p> <p>D421,523 S * 3/2000 Freyer ..... D3/217</p> <p>D422,404 S * 4/2000 Hasas ..... D3/216</p> <p>D432,597 S * 10/2000 Crowley ..... D21/627</p> <p>D446,009 S * 8/2001 Mandell ..... D3/217</p> <p>6,510,974 B1 * 1/2003 Willingham et al. .... 224/657</p> <p>D471,353 S * 3/2003 Ho ..... D3/217</p> <p>D472,371 S * 4/2003 Pomare ..... D3/216</p> <p>6,824,030 B1 * 11/2004 Dolan ..... 224/638</p> |
|---|--|

**Related U.S. Application Data**

- (63) Continuation of application No. 29/165,656, filed on Aug. 14, 2002, now abandoned.
- (51) **LOC (8) Cl.** ..... **03-01**
- (52) **U.S. Cl.** ..... **D3/217**
- (58) **Field of Classification Search** ..... D3/216,  
D3/217, 218; 224/153, 156, 657, 191  
See application file for complete search history.

\* cited by examiner

*Primary Examiner*—Celia A. Murphy  
 (74) *Attorney, Agent, or Firm*—Barnes & Thornburg LLP

(57) **CLAIM**

The ornamental design for a princess backpack, as shown and described.

**DESCRIPTION**

FIG. 1 is a perspective view of a princess backpack showing my new design;  
 FIG. 2 is a front view of the backpack.  
 FIG. 3 is a top view of the backpack.  
 FIG. 4 is a back view of the backpack.  
 FIG. 5 is a bottom view of the backpack; and,  
 FIG. 6 is a side view of the backpack.

(56) **References Cited**

**U.S. PATENT DOCUMENTS**

- |             |   |         |            |       |         |
|-------------|---|---------|------------|-------|---------|
| D214,476 S  | * | 6/1969  | Maxwell    | ..... | D3/217  |
| D224,178 S  | * | 7/1972  | Bryant     | ..... | D3/217  |
| D232,869 S  | * | 9/1974  | Yoshimura  | ..... | D3/217  |
| 3,867,971 A | * | 2/1975  | Hazan      | ..... | 150/104 |
| 4,094,351 A | * | 6/1978  | Catenaccio | ..... | 224/609 |
| D320,501 S  | * | 10/1991 | Marks      | ..... | D3/217  |
| 5,222,642 A | * | 6/1993  | Solarz     | ..... | 224/191 |

**1 Claim, 4 Drawing Sheets**

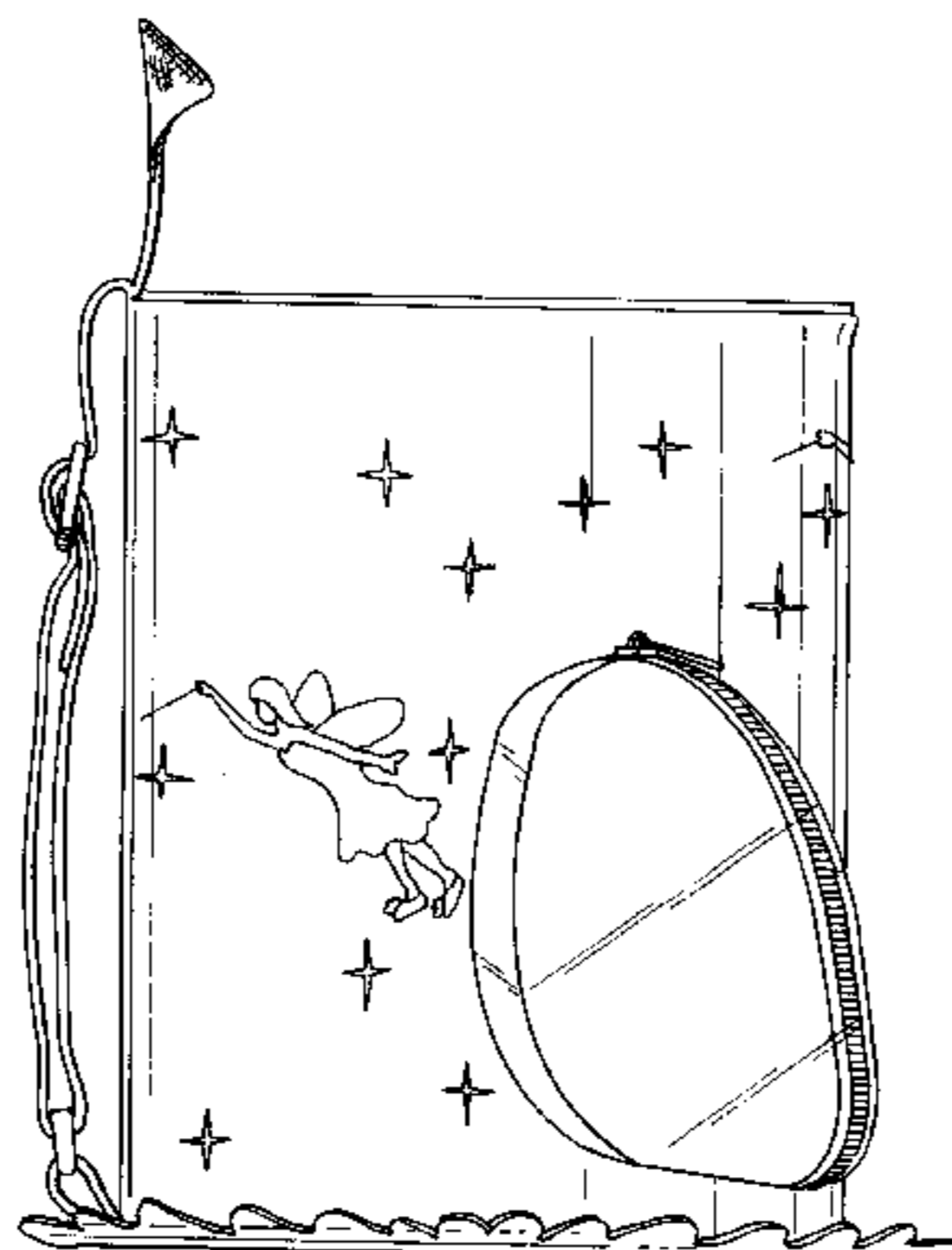
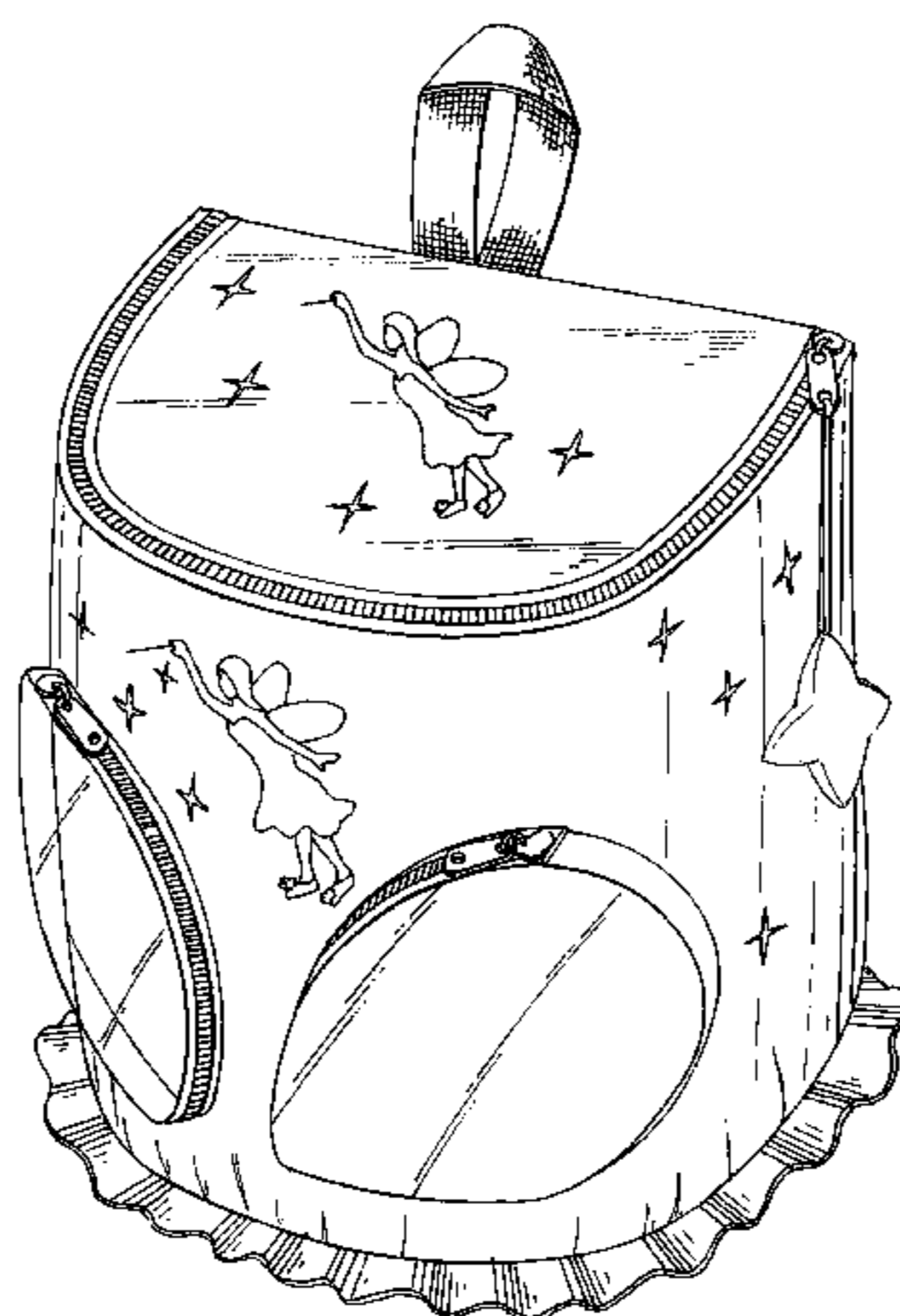


FIG. 1

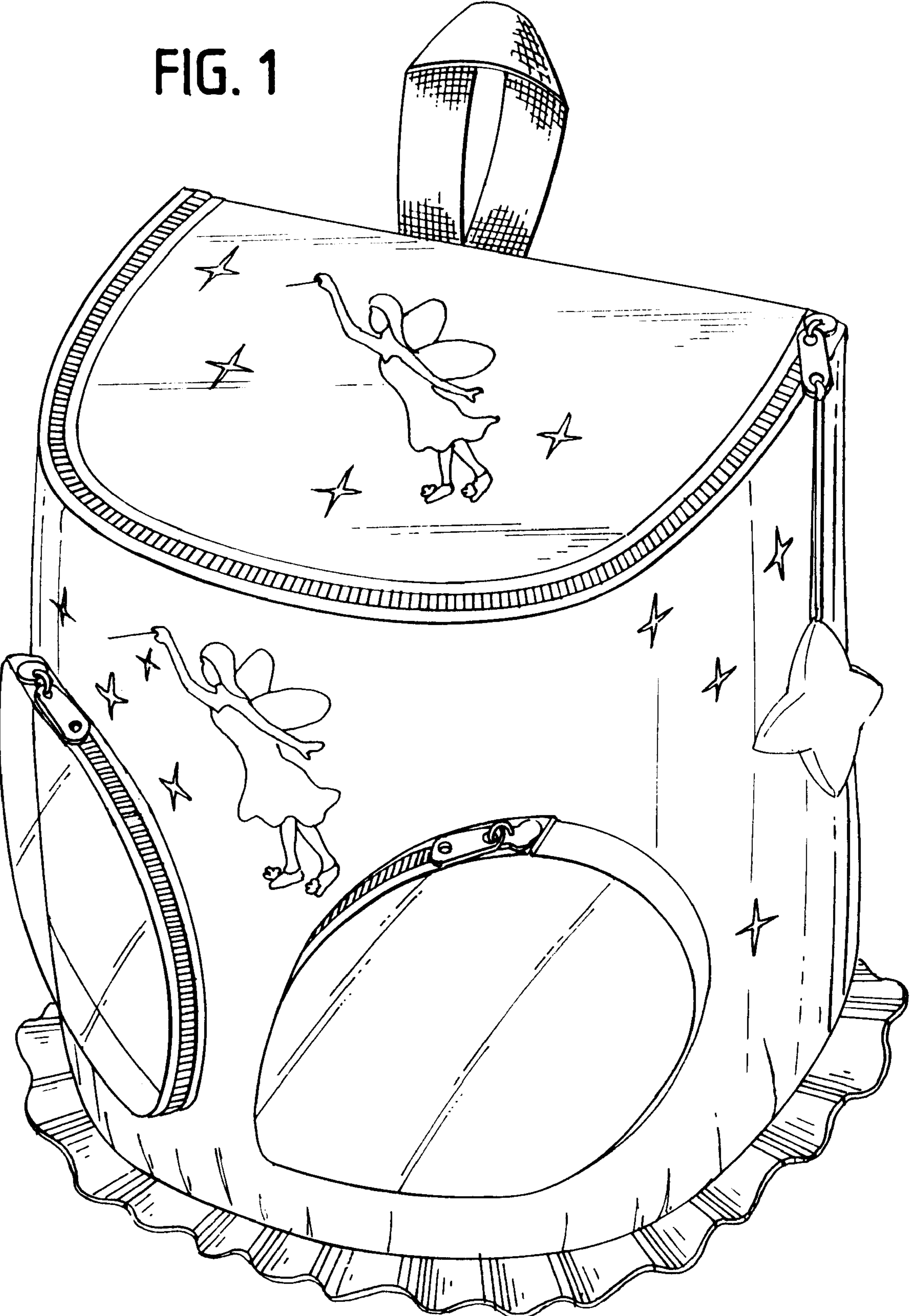


FIG. 2

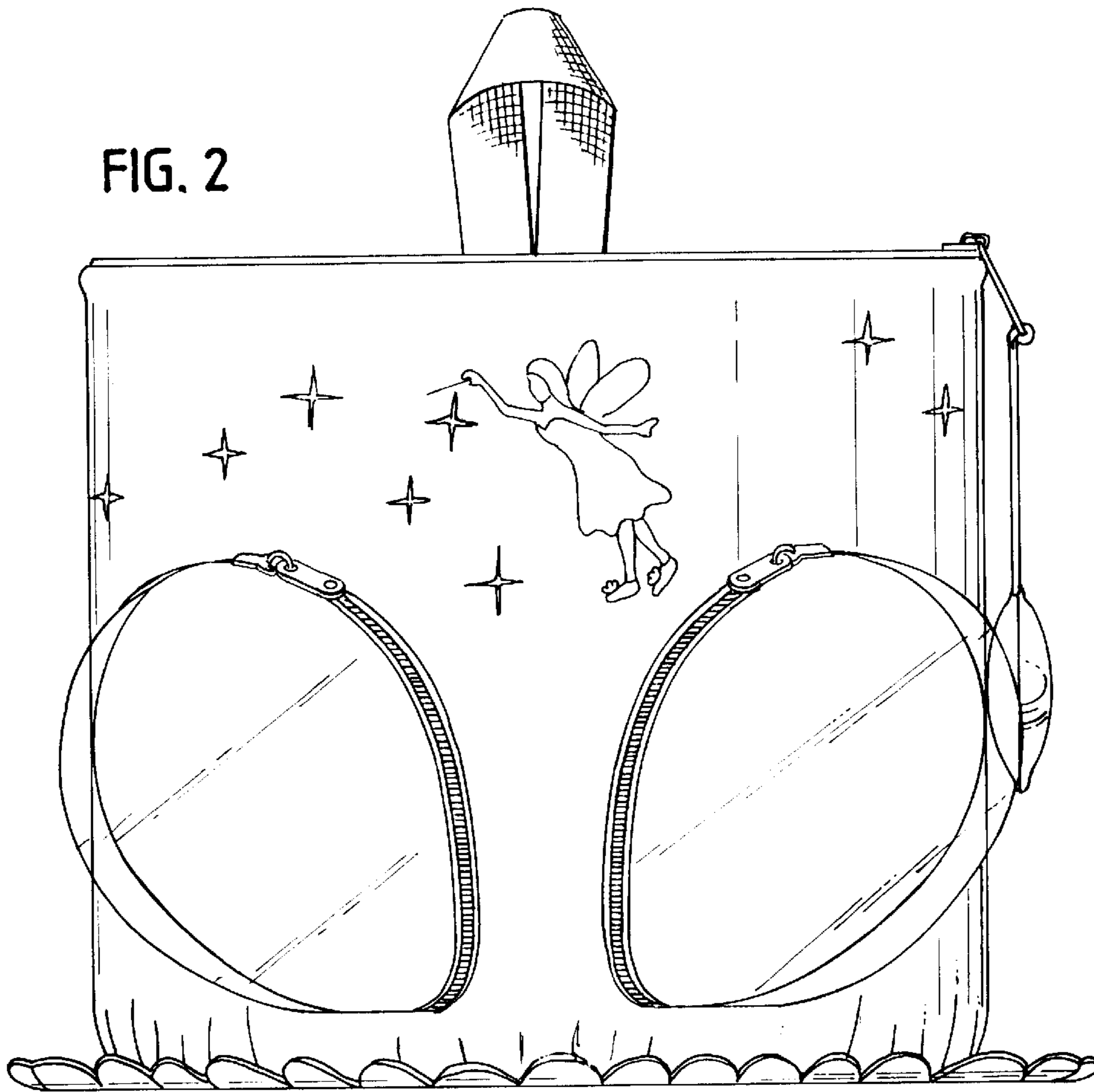
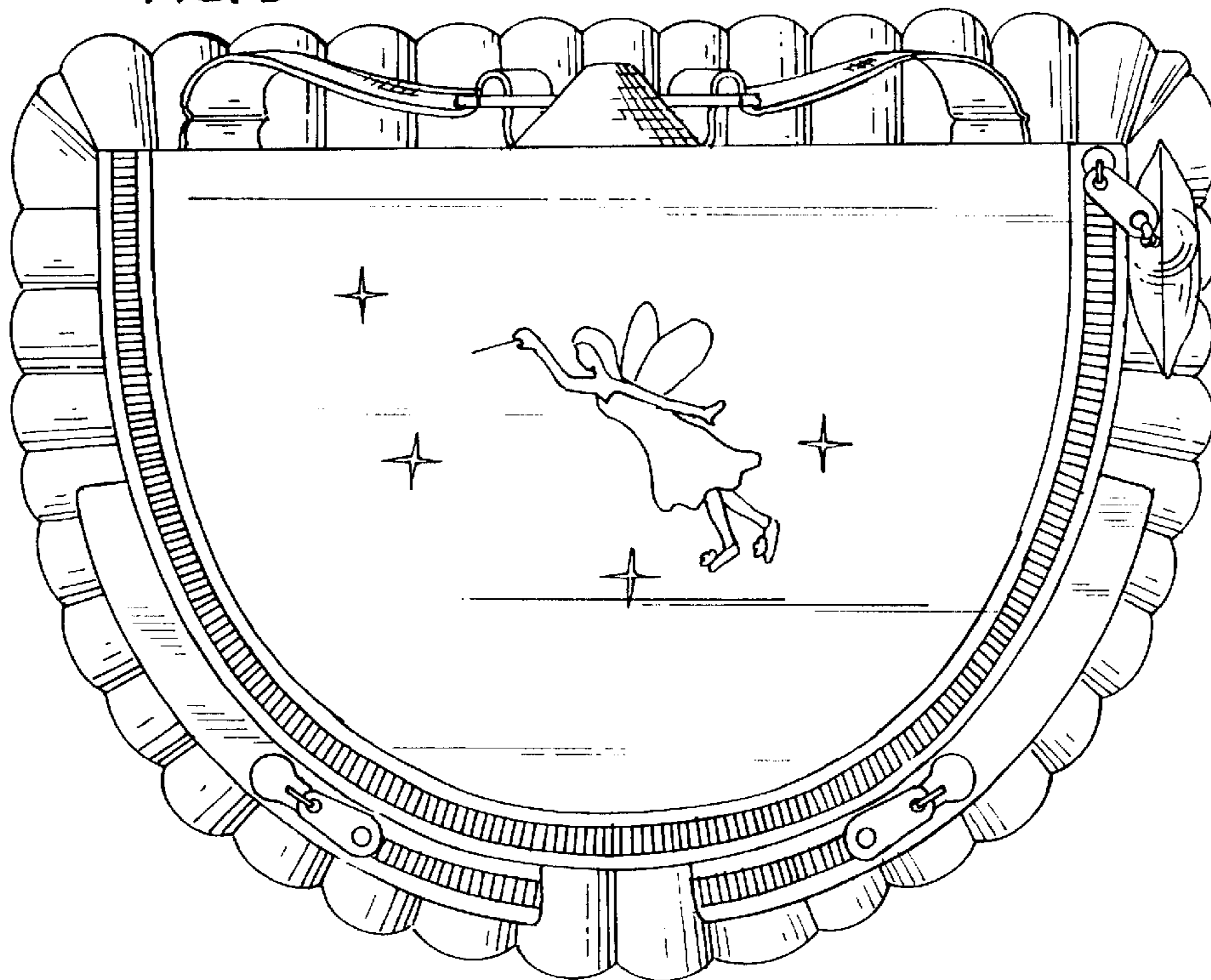


FIG. 3



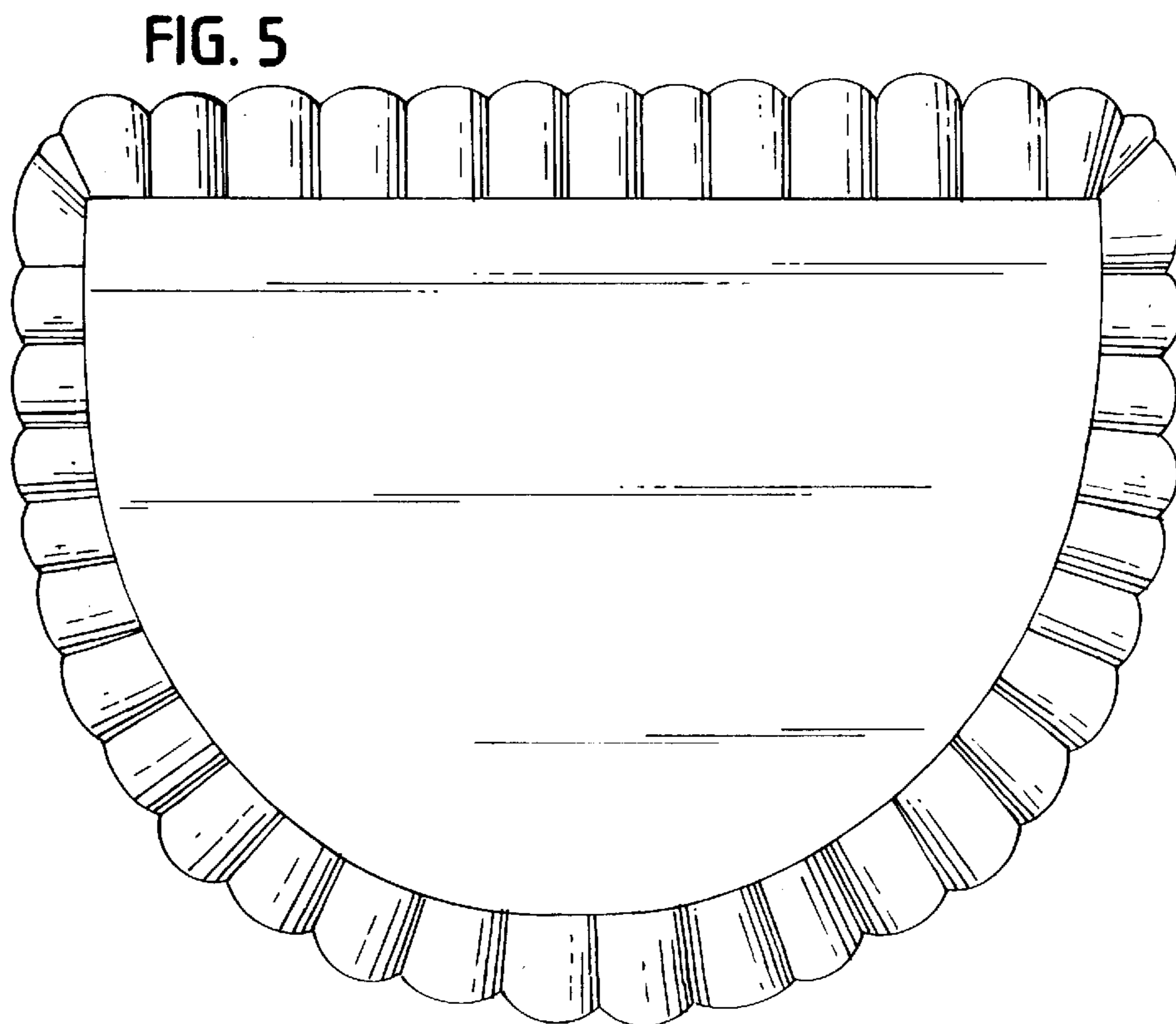
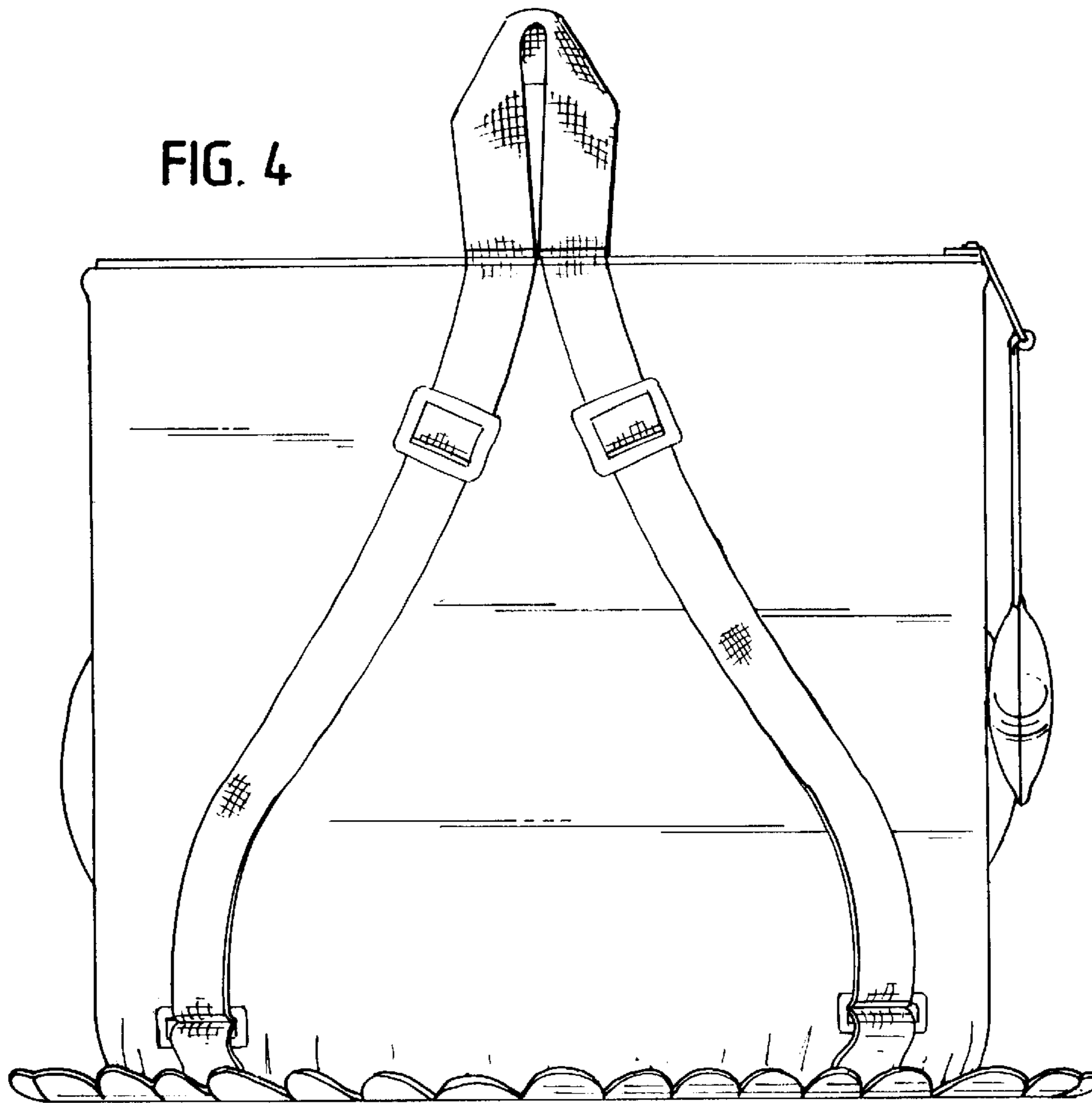


FIG. 6

