



US00D527875S

(12) **United States Design Patent**
Earle

(10) **Patent No.:** **US D527,875 S**

(45) **Date of Patent:** **** Sep. 12, 2006**

(54) **PORTION OF AN ARTICLE OF FOOTWEAR**

(75) Inventor: **John Earle**, Portland, OR (US)

(73) Assignee: **Deckers Outdoor Corporation**, Goleta, CA (US)

(**) Term: **14 Years**

(21) Appl. No.: **29/239,855**

(22) Filed: **Oct. 5, 2005**

(51) **LOC (8) Cl.** **02-04**

(52) **U.S. Cl.** **D2/952; D2/951; D2/953**

(58) **Field of Classification Search** D2/902,
D2/947-949, 951-957, 959-961, 964; 36/3 B,
36/22 R, 24.5, 25 R, 28, 32 R, 34 R, 67 A,
36/59 C

See application file for complete search history.

(56) **References Cited**

U.S. PATENT DOCUMENTS

1,605,947	A	*	11/1926	Heady	36/59 C
D135,963	S	*	7/1943	Codish	D2/951
2,377,144	A	*	5/1945	Goldstein	36/25 A
2,382,559	A	*	8/1945	Goldstein	36/3 A
2,421,932	A	*	6/1947	Goldstein	36/25 A
2,468,886	A	*	5/1949	Lutey	36/28
D330,802	S	*	11/1992	Edmund et al.	D2/952
D383,594	S	*	9/1997	Elliott	D2/954
D388,947	S	*	1/1998	Sessa	D2/961
D460,853	S	*	7/2002	Sakai	D2/953

D471,347	S	*	3/2003	Haas et al.	D2/953
D495,121	S	*	8/2004	McClaskie	D2/952
D497,244	S	*	10/2004	Sedlbauer	D2/955
D497,468	S	*	10/2004	McClaskie	D2/952
D497,704	S	*	11/2004	Wu	D2/953
D507,098	S	*	7/2005	McClaskie	D2/960
D515,791	S	*	2/2006	McClaskie	D2/953

* cited by examiner

Primary Examiner—Celia A. Murphy

(74) *Attorney, Agent, or Firm*—Greer, Burns & Crain, Ltd.

(57) **CLAIM**

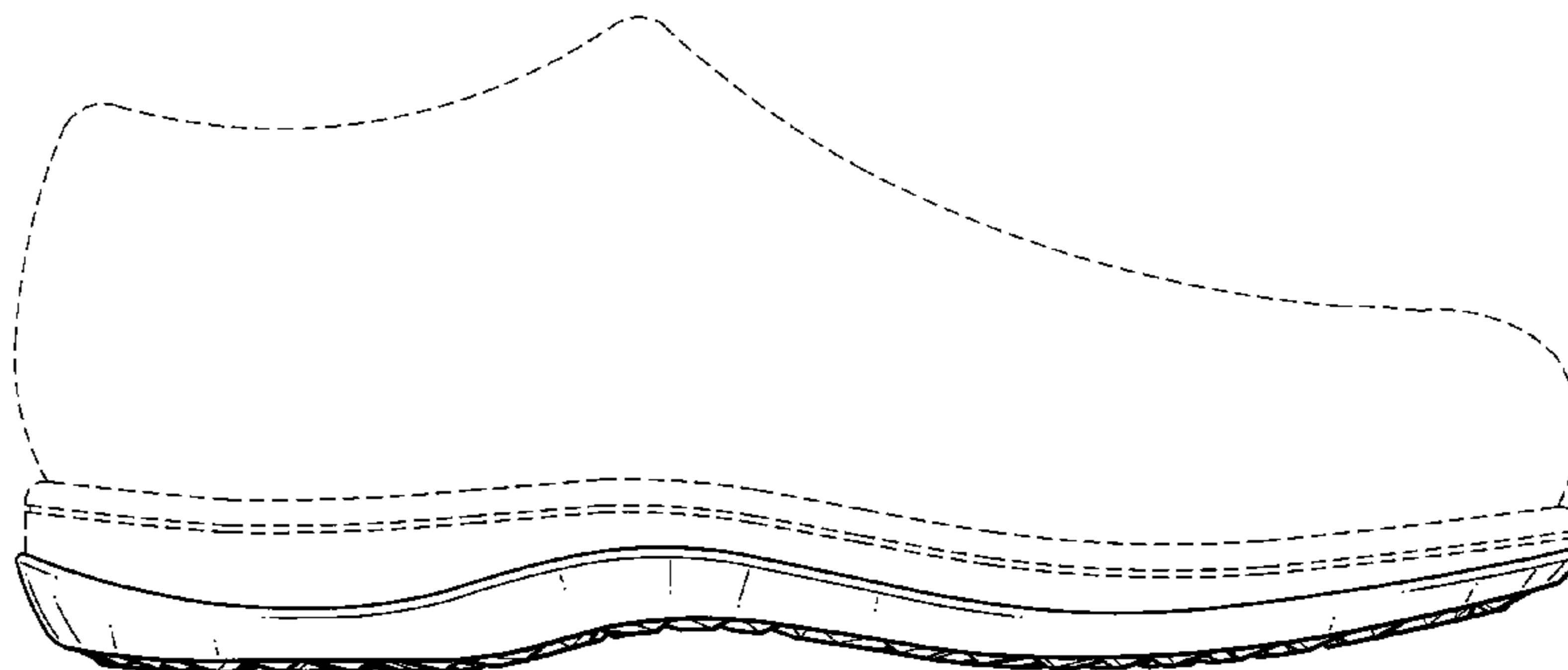
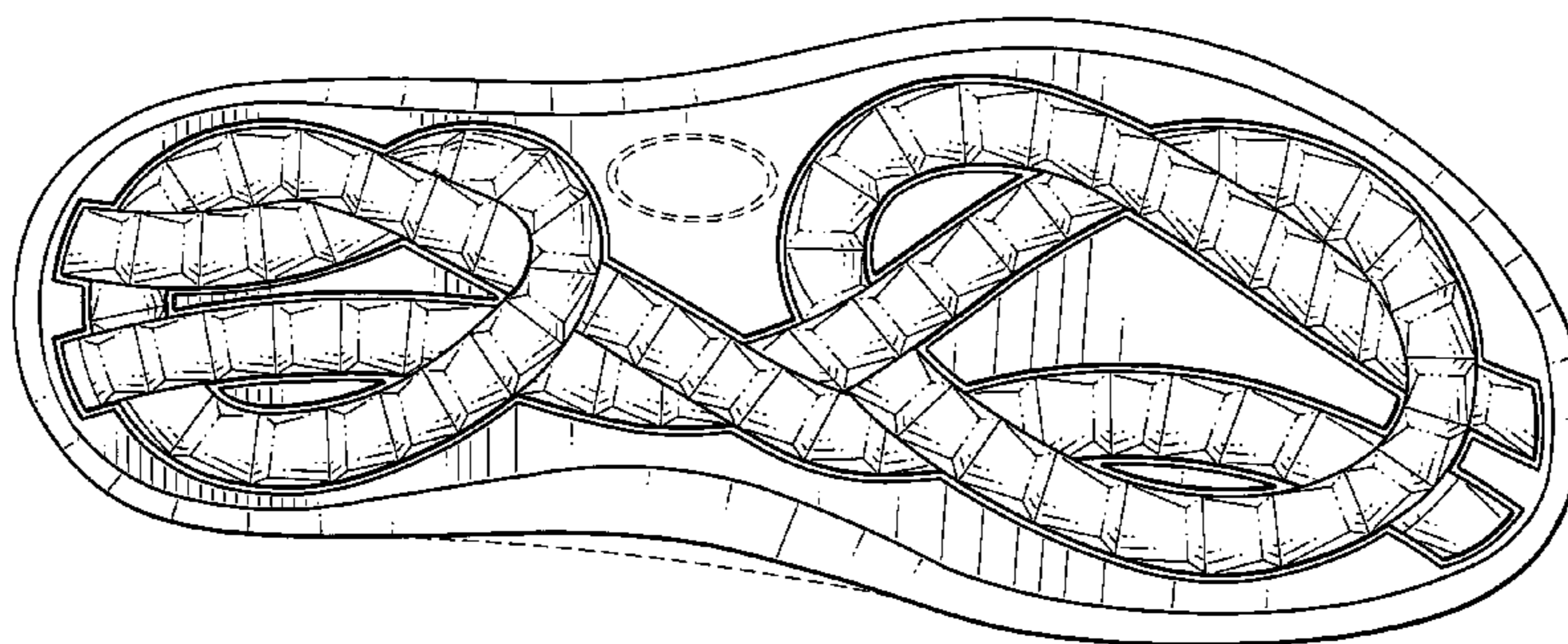
The ornamental design for a portion of an article of footwear, as shown and described.

DESCRIPTION

FIG. 1 is a bottom perspective view of a portion of an article of footwear showing my new design; FIG. 2 is a bottom plan view thereof; FIG. 3 is a left side elevational view thereof; FIG. 4 is a right side elevational view thereof; FIG. 5 is a front elevational view thereof; and, FIG. 6 is a rear elevational view thereof.

The broken lines showing a footwear upper and periphery in FIGS. 1-6 represent the portions of the design that form no part of the claim. The outermost broken line forming an oval shape in FIGS. 1 & 2 defines the interior boundary of the design. The broken line and the area within, form no part of the claim.

1 Claim, 5 Drawing Sheets



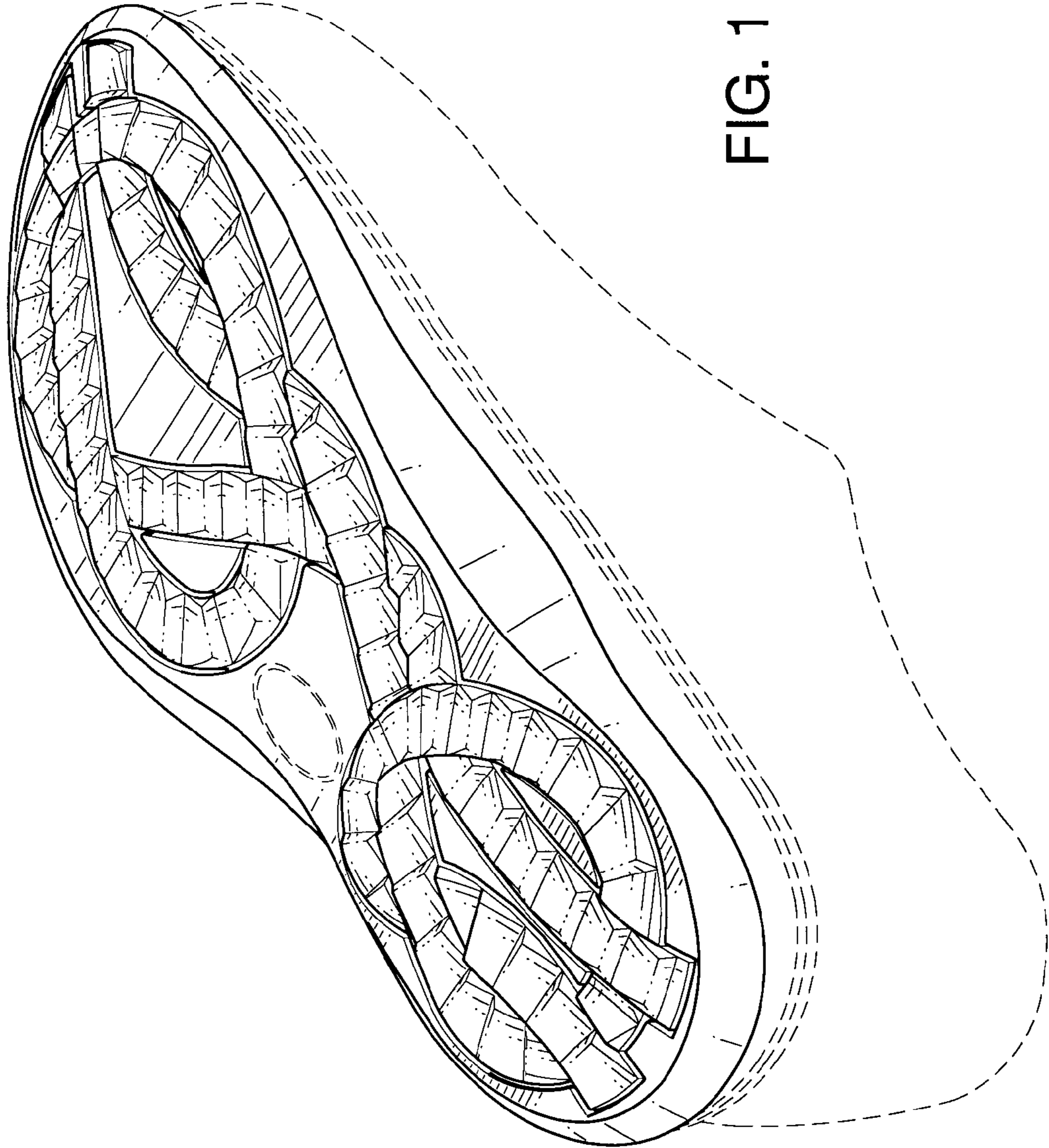


FIG. 1

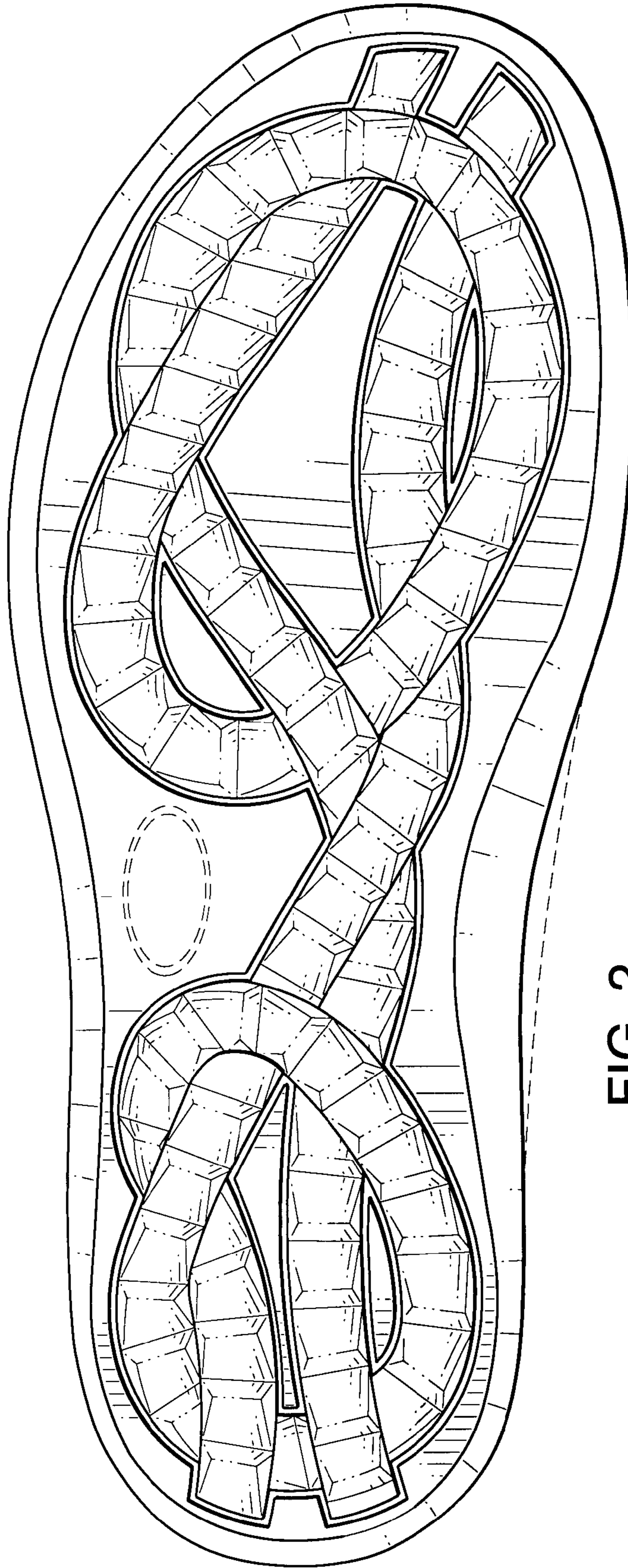


FIG. 2

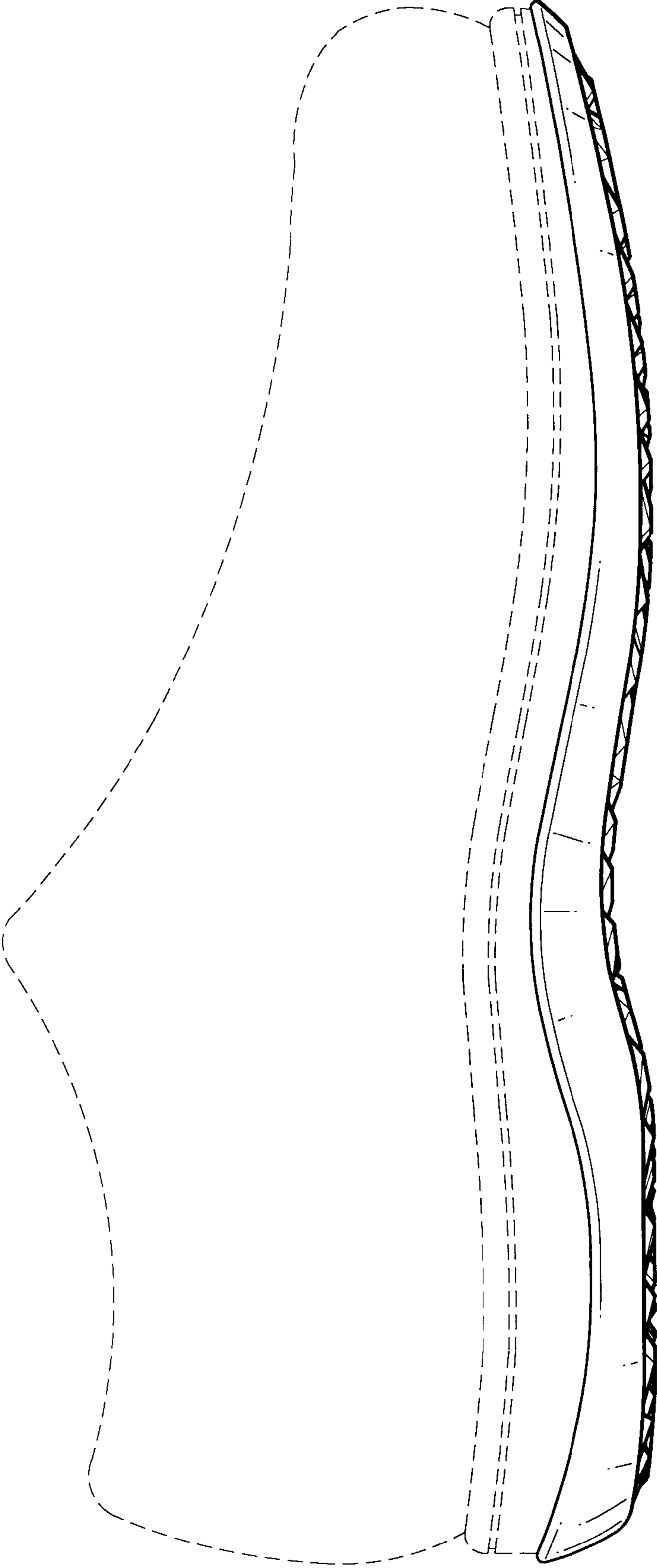


FIG. 3

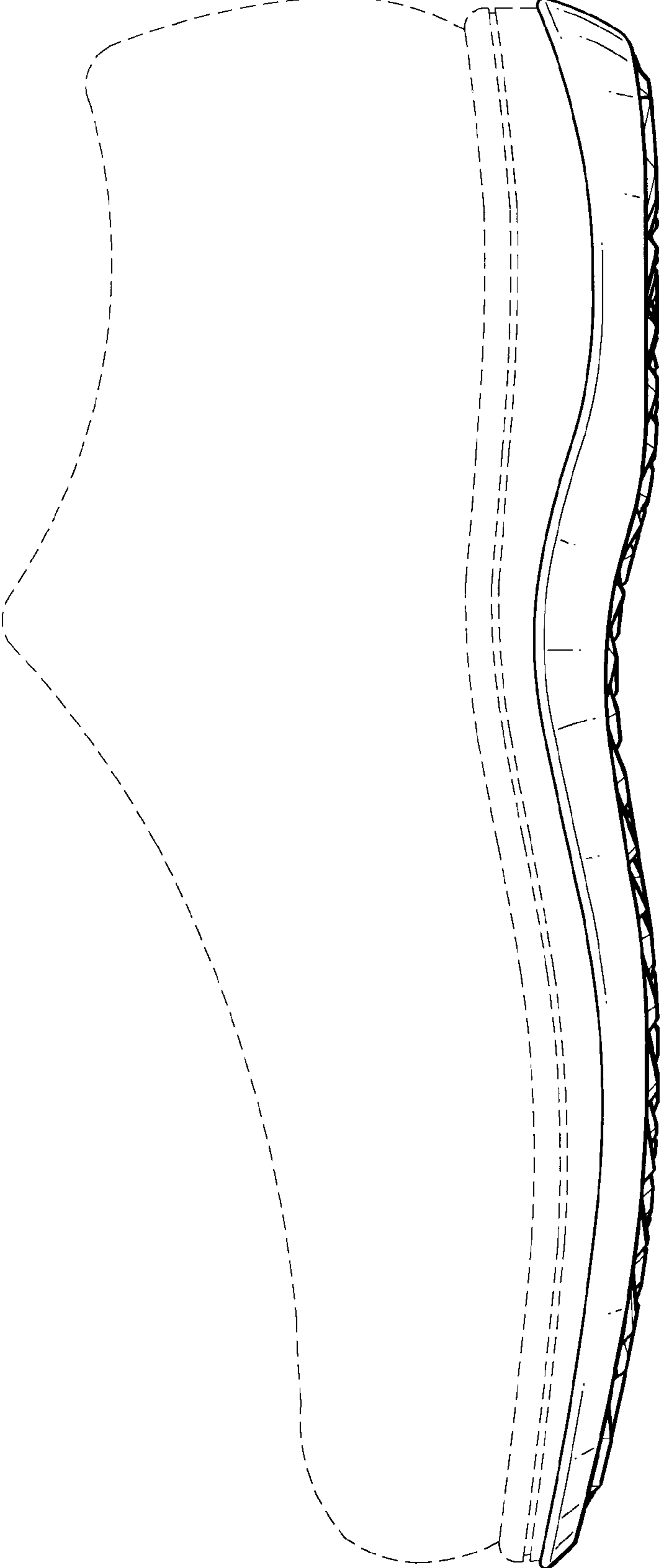


FIG. 4

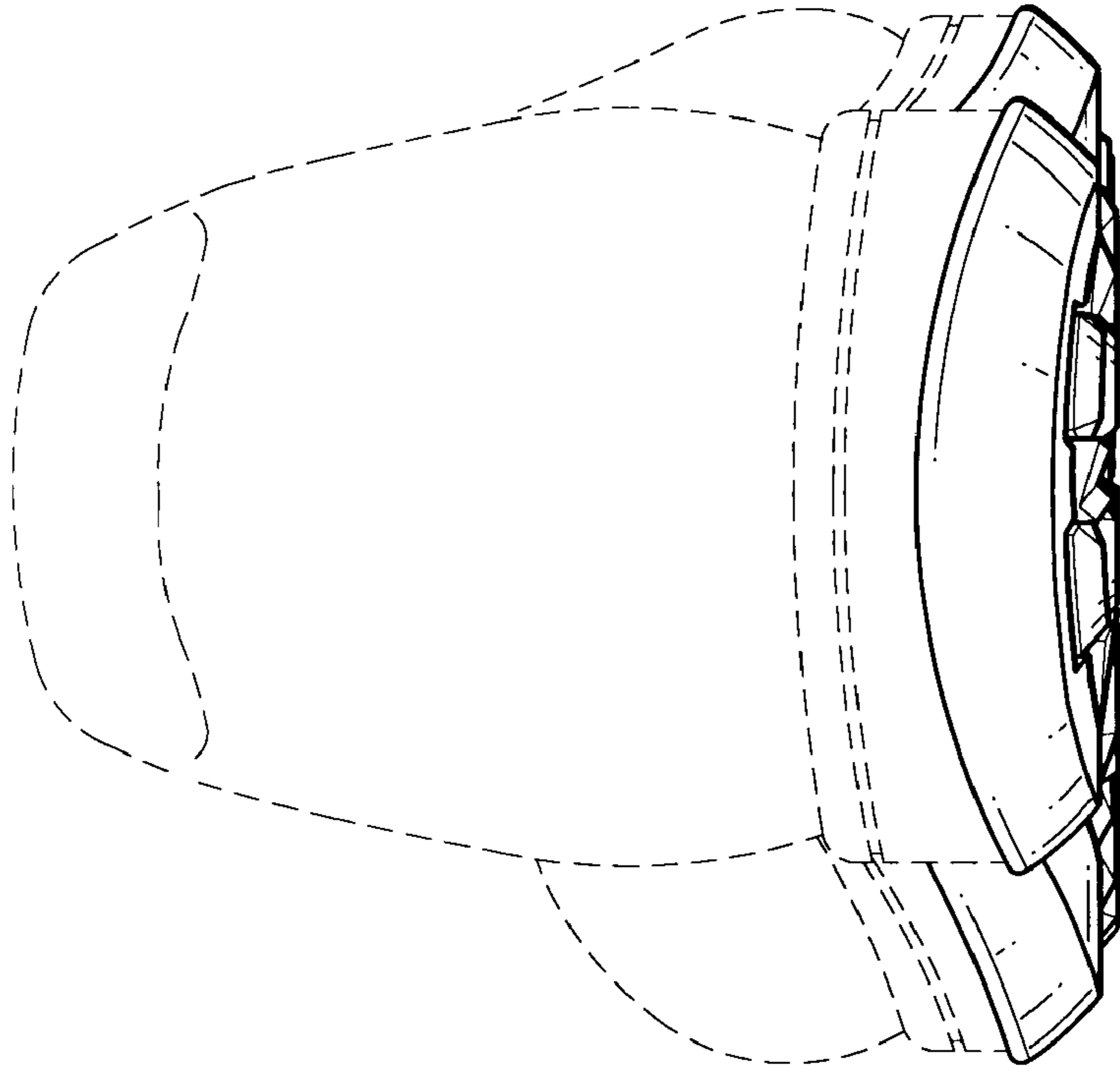


FIG. 6

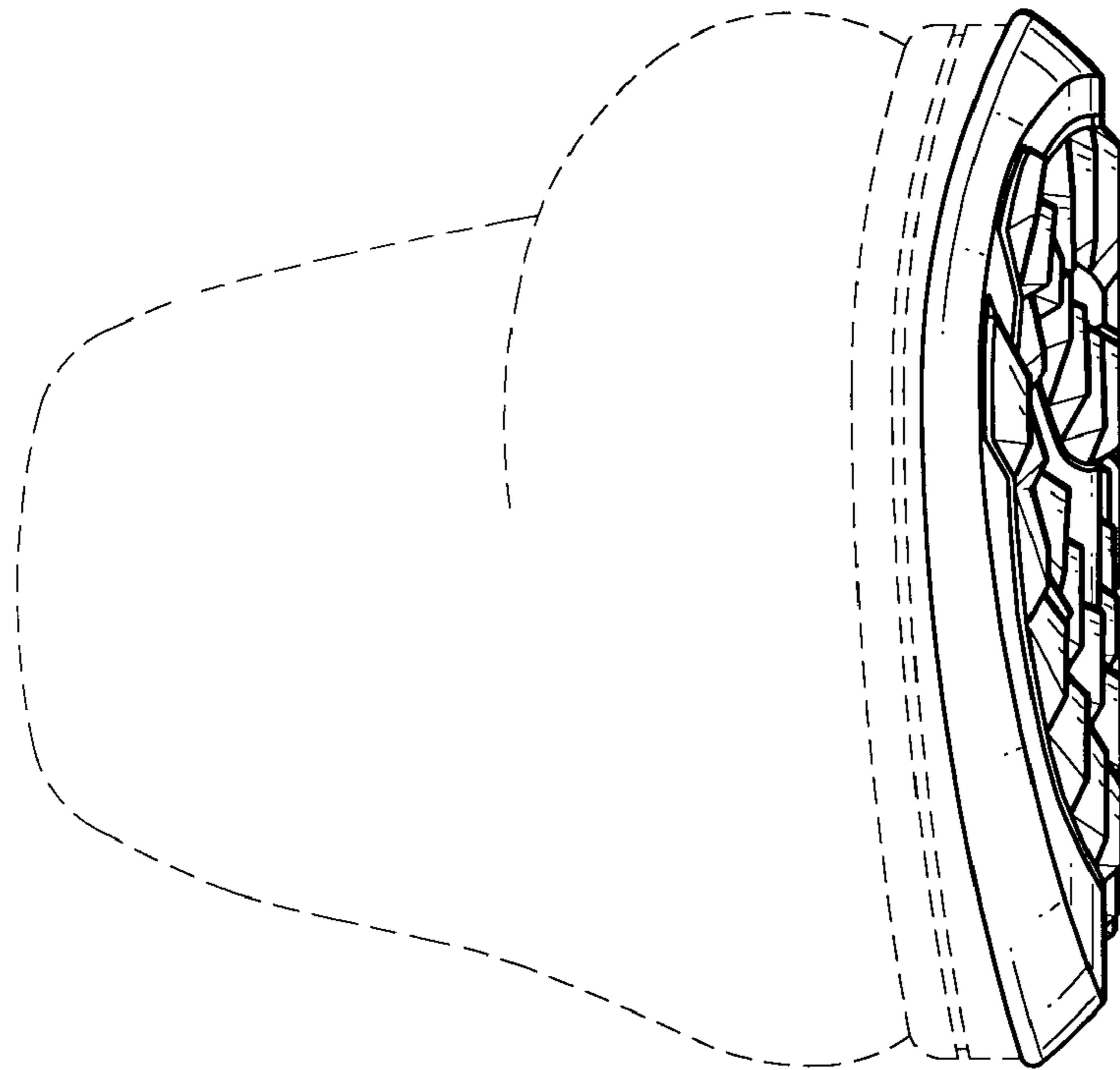


FIG. 5