



US00D527868S

(12) **United States Design Patent**
Wager

(10) **Patent No.:** **US D527,868 S**

(45) **Date of Patent:** **** Sep. 12, 2006**

(54) **JACKET**

(75) Inventor: **Robert Wager**, Hillsborough, NJ (US)

(73) Assignee: **KBS Apparel Group**, Hillsborough, NJ (US)

(**) Term: **14 Years**

(21) Appl. No.: **29/203,432**

(22) Filed: **Apr. 15, 2004**

(51) **LOC (8) Cl.** **02-02**

(52) **U.S. Cl.** **D2/828**

(58) **Field of Classification Search** D2/828-831,
D2/840, 717, 718, 720, 854, 834-836, 839;
2/93, 95, 108, 462; 128/874; D3/216
See application file for complete search history.

(56) **References Cited**

U.S. PATENT DOCUMENTS

- 2,715,266 A * 8/1955 Haislip 30/537
- 4,646,366 A * 3/1987 Nishida et al. D2/828
- D306,511 S * 3/1990 Jones D2/839
- D339,221 S * 9/1993 Olajide D2/839

- D391,196 S * 2/1998 Mellgren D11/125
- D401,035 S * 11/1998 Robinson D2/830
- D485,864 S * 1/2004 Sarian D20/11

* cited by examiner

Primary Examiner—Louis S. Zarfaz

Assistant Examiner—Anhdao Doan

(74) *Attorney, Agent, or Firm*—Green & Pagano, LLP;
Alexander R. Pagano, Esq.

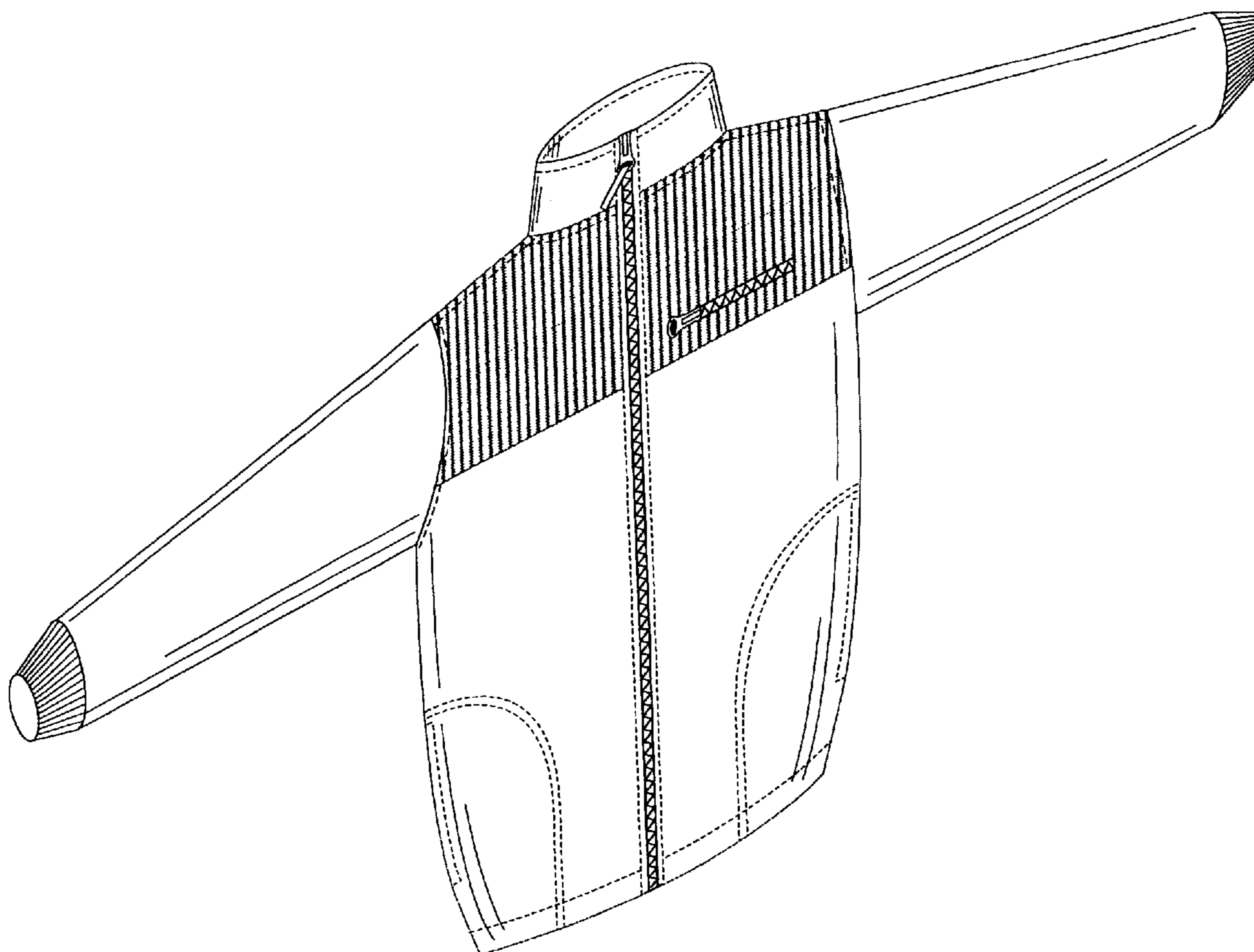
(57) **CLAIM**

The ornamental design for a jacket, as shown and described.

DESCRIPTION

FIG. 1 is a front elevational view of a jacket showing my new design;
 FIG. 2 is a rear elevational view thereof;
 FIG. 3 is a right elevational view thereof, the left elevational view being the mirror image thereof;
 FIG. 4 is a top view thereof;
 FIG. 5 is a bottom view thereof; and,
 FIG. 6 is an axonometric view thereof.
 The broken lines shown in all views represent stitching.

1 Claim, 5 Drawing Sheets



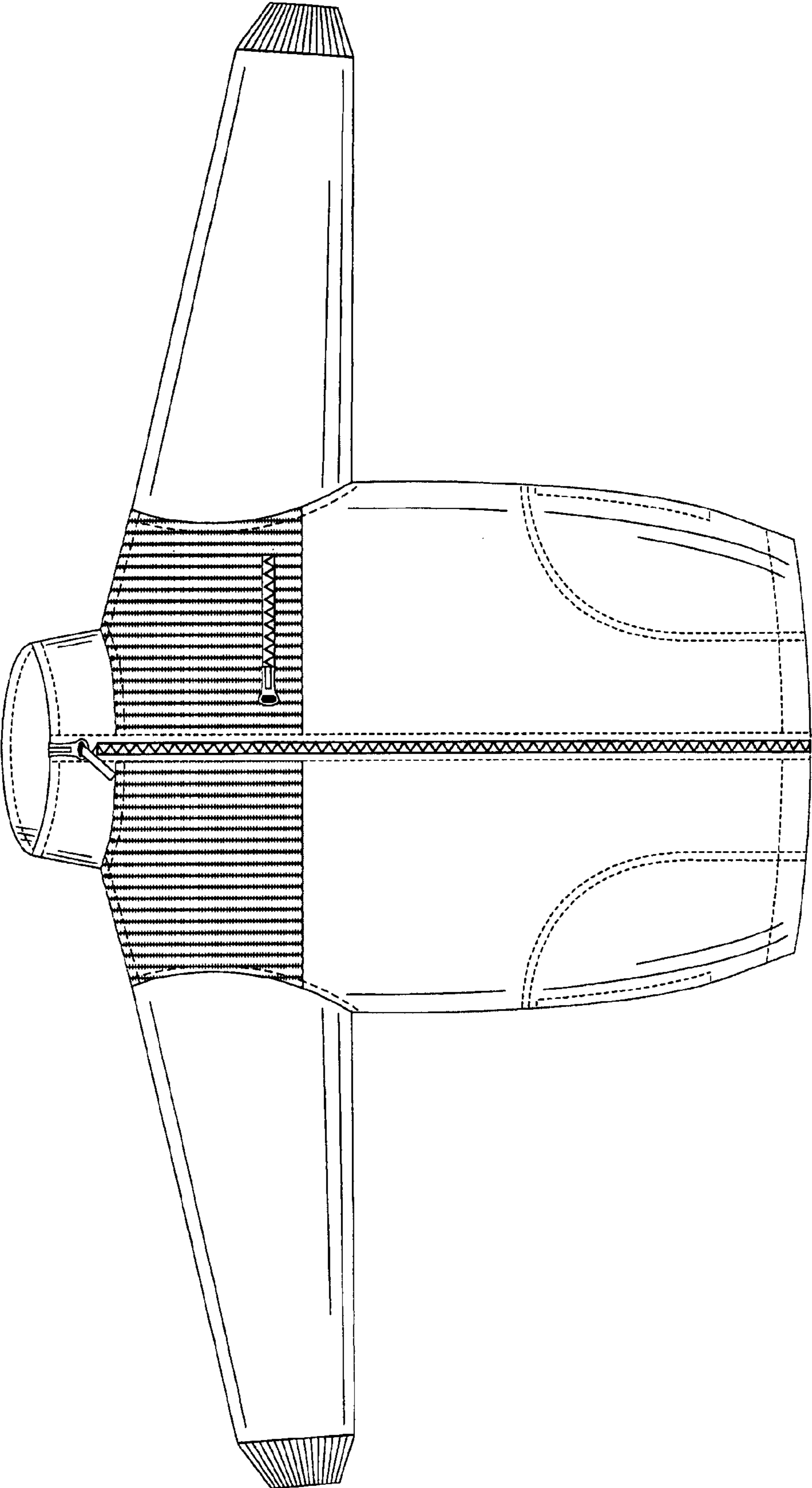


FIG. 1

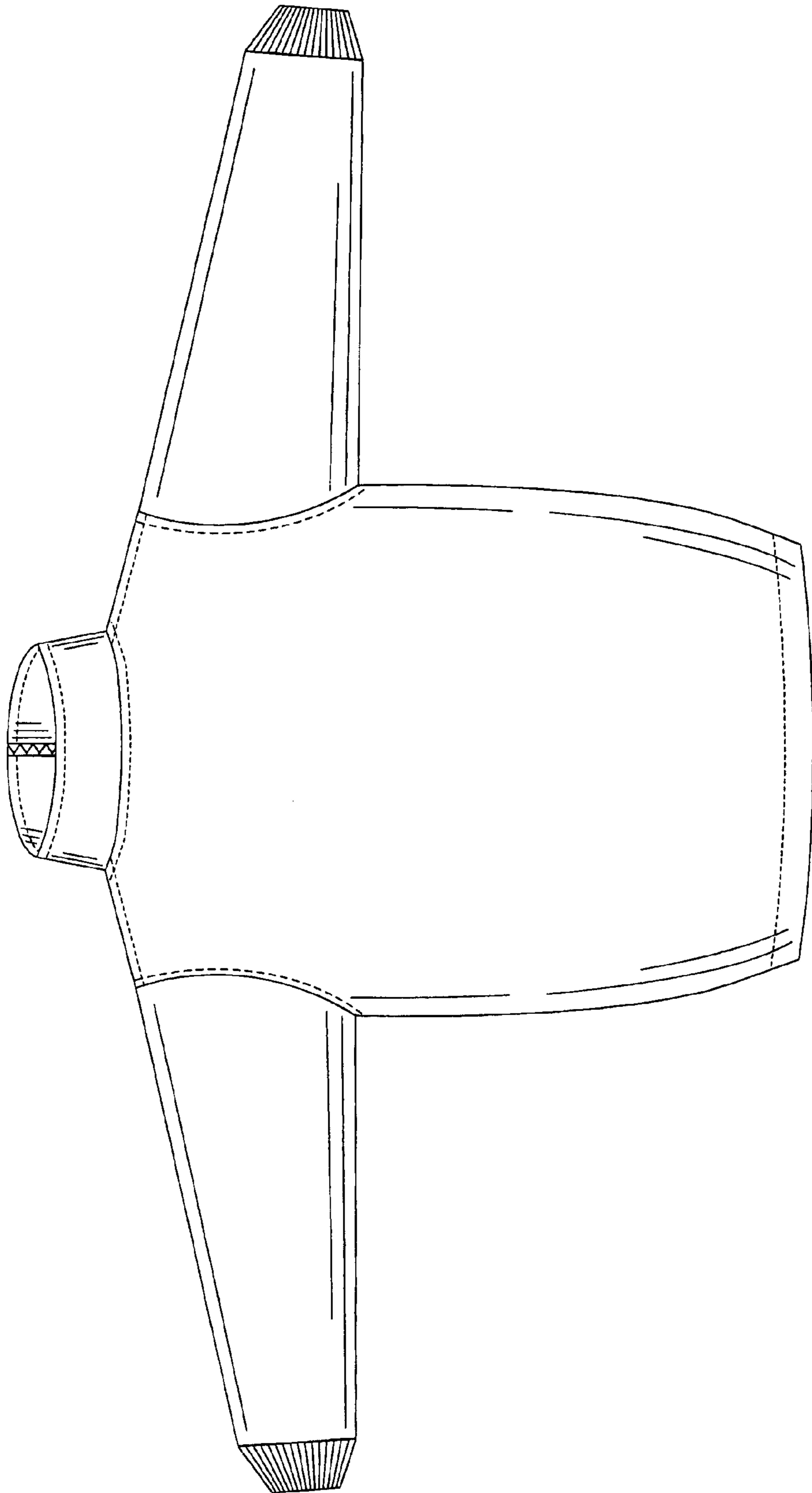


FIG. 2

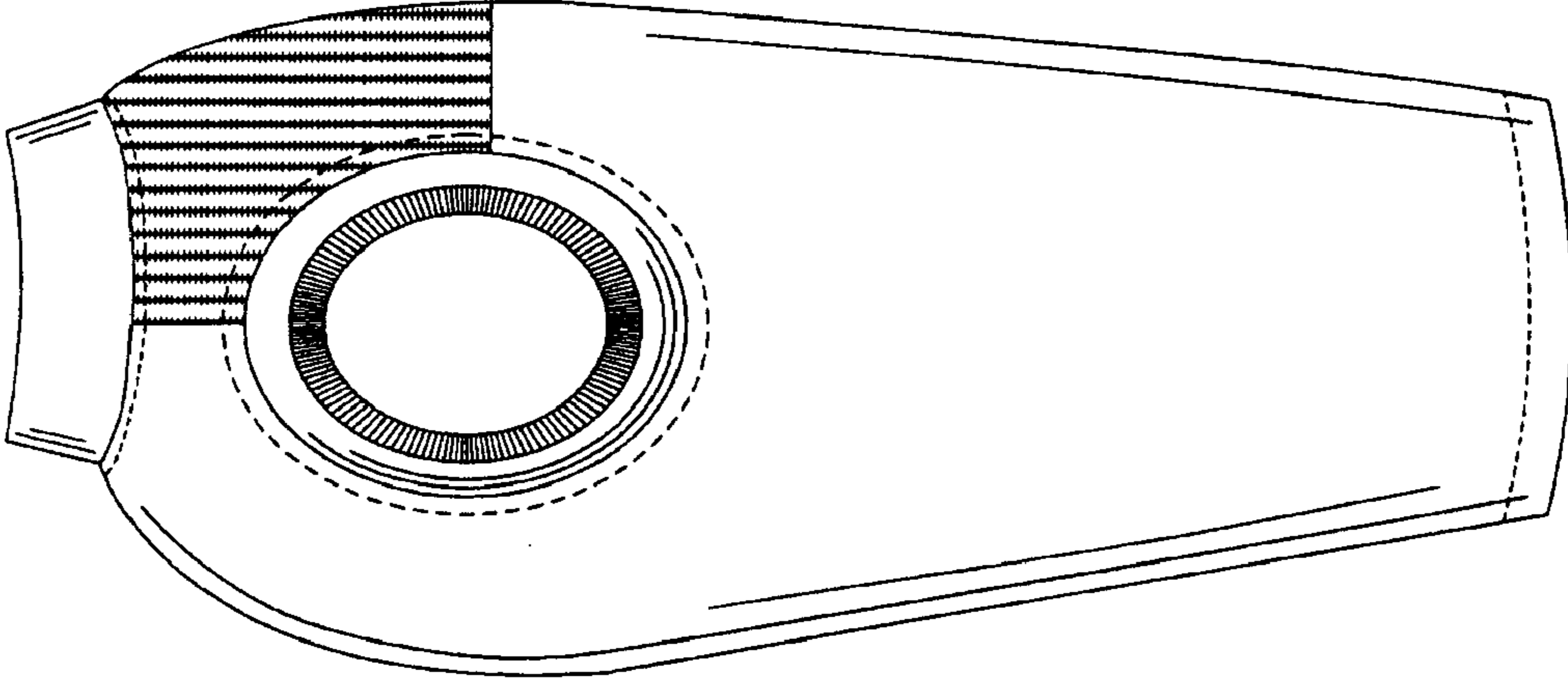


FIG. 3

FIG. 4

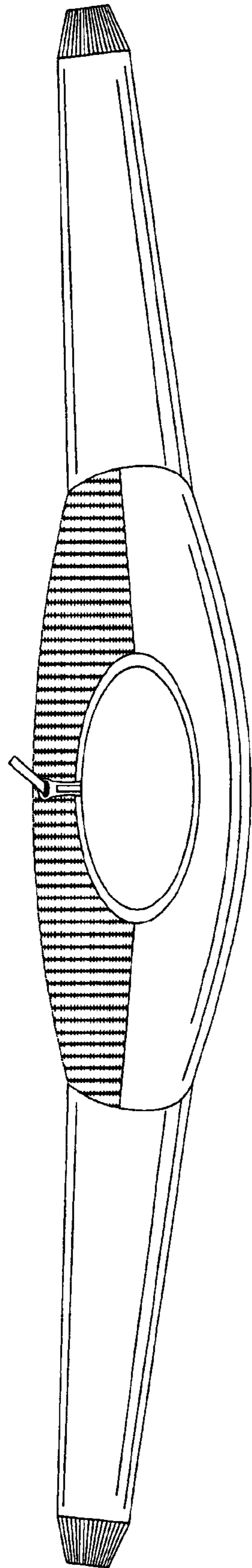
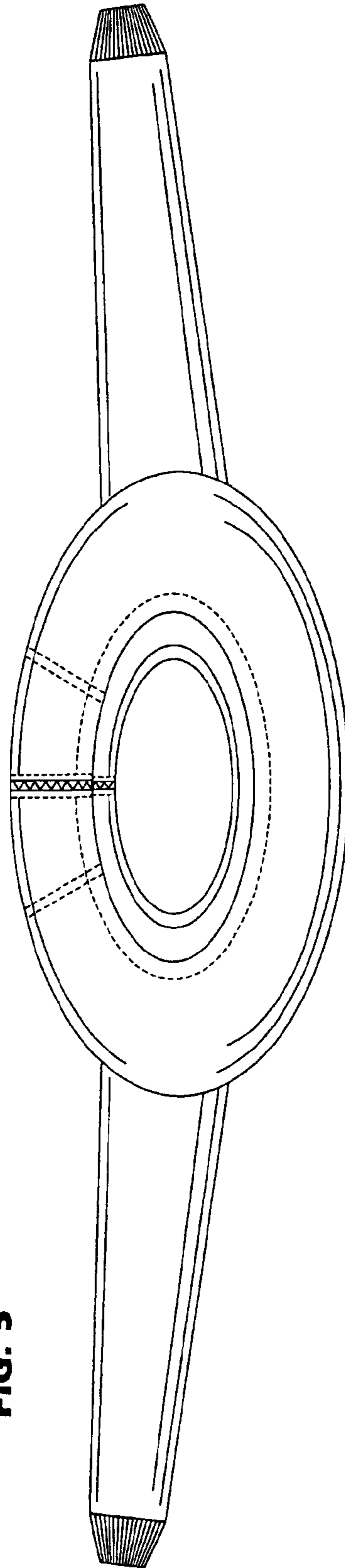


FIG. 5



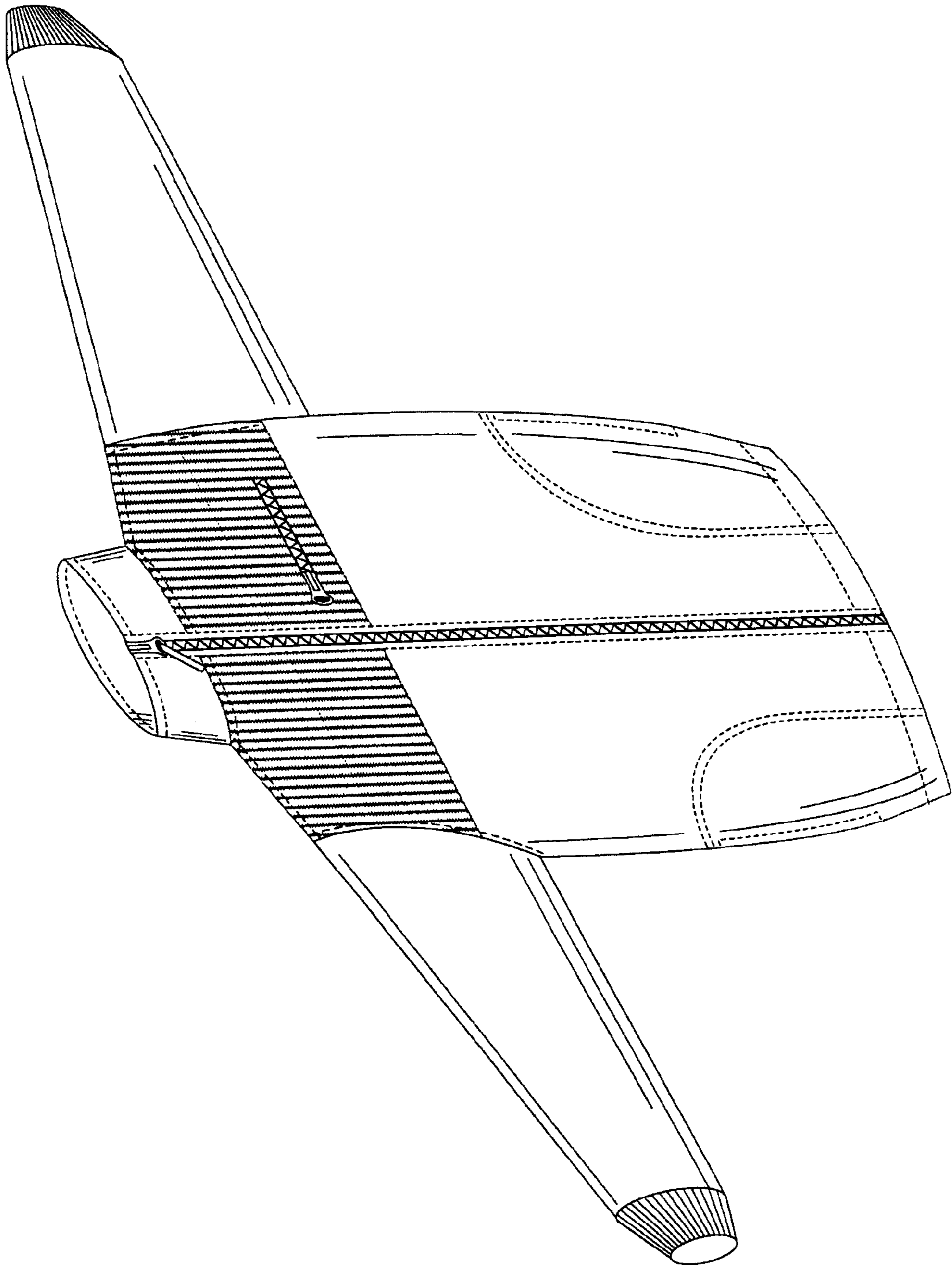


FIG. 6