

US00D527863S

(12) **United States Design Patent**  
**Blanton**

(10) **Patent No.:** **US D527,863 S**

(45) **Date of Patent:** **\*\* Sep. 12, 2006**

(54) **GLOVE-TO-GARMENT SLEEVE CONNECTOR**

D349,387 S \* 8/1994 Crabbe ..... D2/610  
D369,893 S \* 5/1996 Thrussell ..... D29/120.1

(76) Inventor: **Fred T. Blanton**, P.O. Box 8216, The Woodlands, TX (US) 77387

\* cited by examiner

(\*\*) Term: **14 Years**

*Primary Examiner*—Robert A. Delehanty  
(74) *Attorney, Agent, or Firm*—Kenneth A. Roddy

(21) Appl. No.: **29/228,455**

(57) **CLAIM**

(22) Filed: **Apr. 21, 2005**

The ornamental design for a glove-to-garment sleeve connector, as shown and described.

(51) **LOC (8) Cl.** ..... **29-02**

(52) **U.S. Cl.** ..... **D2/610**

(58) **Field of Classification Search** ..... D2/610,  
D2/615–623; D29/113, 117.1–119, 120.1,  
D29/123; 2/16, 20, 59, 158, 159; D24/190;  
D28/63; D30/158

**DESCRIPTION**

See application file for complete search history.

FIG. 1 is a side elevation view of a glove-to-garment sleeve connector, the opposite side being a mirror image thereof; FIG. 2 is a perspective view thereof, shown from one end; and,

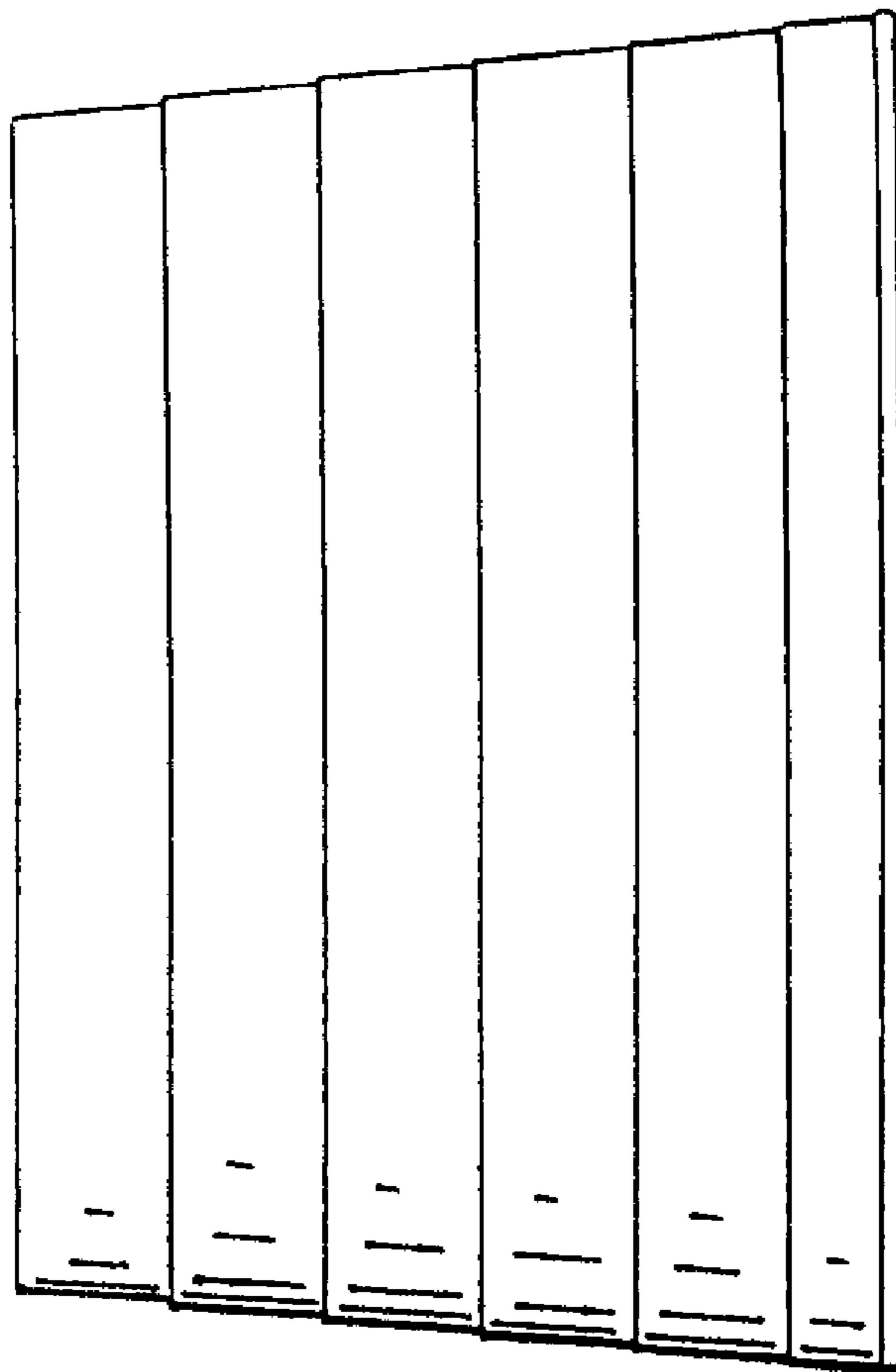
FIG. 3 is a perspective view thereof, shown from the end opposite that shown in FIG. 2.

(56) **References Cited**

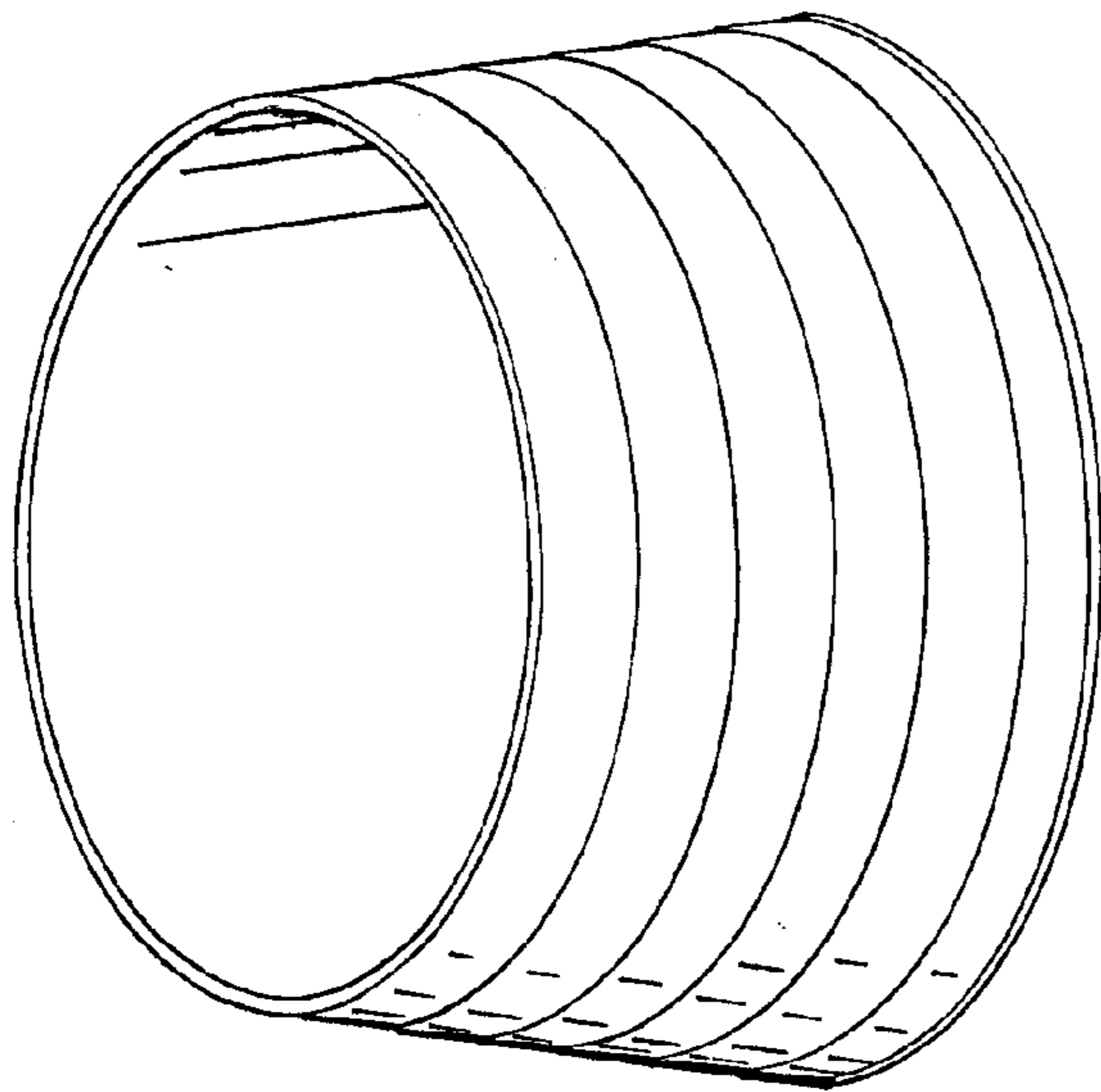
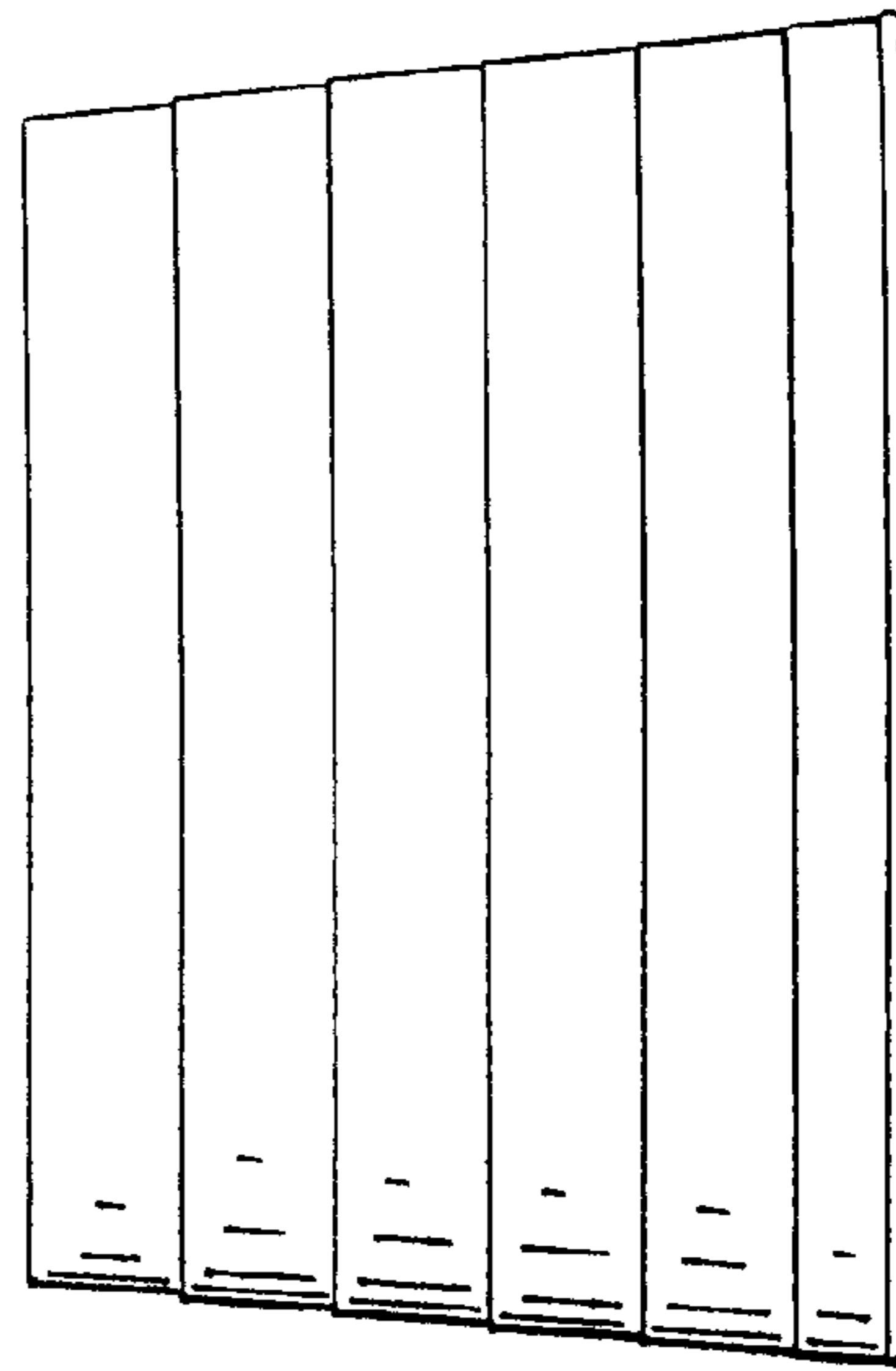
U.S. PATENT DOCUMENTS

2,643,389 A \* 6/1953 Wegner ..... D29/120.1

**1 Claim, 1 Drawing Sheet**



*Fig. 1*



*Fig. 2*

*Fig. 3*

