



US00D527860S

(12) **United States Design Patent**
Esposito

(10) **Patent No.:** **US D527,860 S**

(45) **Date of Patent:** **** Sep. 5, 2006**

(54) **PALLET CONTAINER**

D492,835 S * 7/2004 Michaels et al. D34/38

(76) Inventor: **Joseph Richard Esposito**, 1 Lyon Farm Ct., Port Chester, NY (US) 10573

* cited by examiner

(**) Term: **14 Years**

Primary Examiner—Cynthia E. Ramirez

(74) *Attorney, Agent, or Firm*—Ostrolenk, Faber, Gerb & Soffen, LLP

(21) Appl. No.: **29/206,094**

(57) **CLAIM**

(22) Filed: **May 25, 2004**

I claim the ornamental design for a pallet container, as shown and described.

(51) **LOC (8) Cl.** **09-08**

(52) **U.S. Cl.** **D34/38**

(58) **Field of Classification Search** D34/38;
108/51.11, 53.3, 56.1, 57.1, 57.17, 53.1, 57.16,
108/54.1, 55.3, 55.1

See application file for complete search history.

DESCRIPTION

FIG. 1 is a top perspective view of the pallet container, the opposite top perspective view being identical;

FIG. 2 is a top perspective view of the pallet container showing hinged panels in an open position;

FIG. 3 is a partial bottom perspective view of the pallet container, the opposite bottom perspective view being identical; and,

FIG. 4 is a top perspective view of a pair of pallet containers, one stacked on top of another, the opposite top perspective view being identical.

The broken lines are provided for illustrative purposes only and form no part of the claimed design.

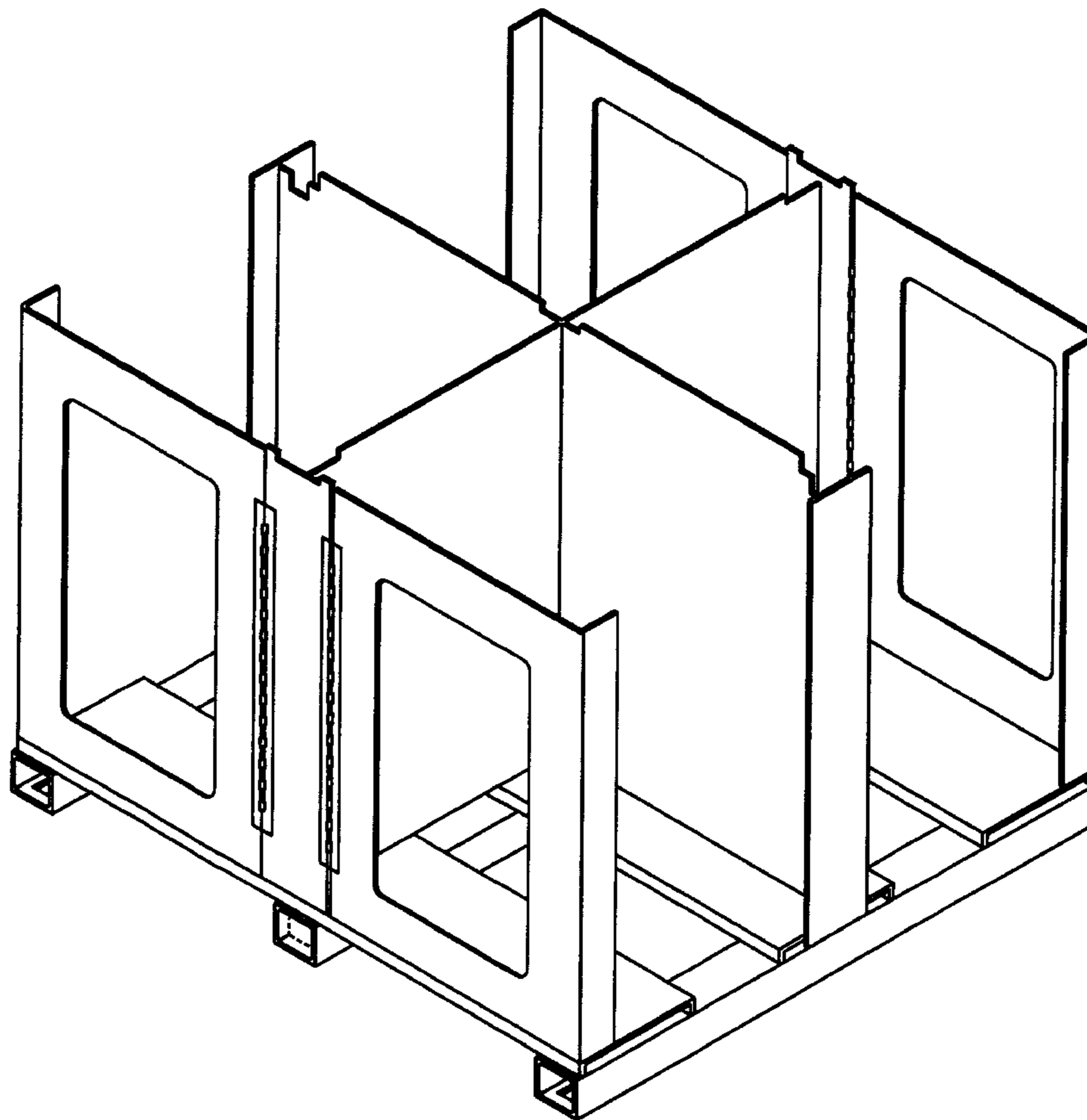
The bottom of the pallet is partially shown in FIG. 3 for convenience of illustration.

(56) **References Cited**

U.S. PATENT DOCUMENTS

2,420,640	A	*	5/1947	Acteson	217/43	A
3,628,805	A	*	12/1971	Archer	280/33.998	
3,752,087	A	*	8/1973	Finke	108/59	
5,199,589	A	*	4/1993	Noble	220/7	
5,228,821	A	*	7/1993	Gleffe et al.	414/403	
5,507,237	A	*	4/1996	Barrow et al.	108/55.1	
D387,557	S	*	12/1997	Prevot	D3/307	
5,842,424	A	*	12/1998	Prevot et al.	108/54.1	
D453,603	S	*	2/2002	Bray et al.	D34/38	
D479,045	S	*	9/2003	Chandaria	D34/38	

1 Claim, 4 Drawing Sheets



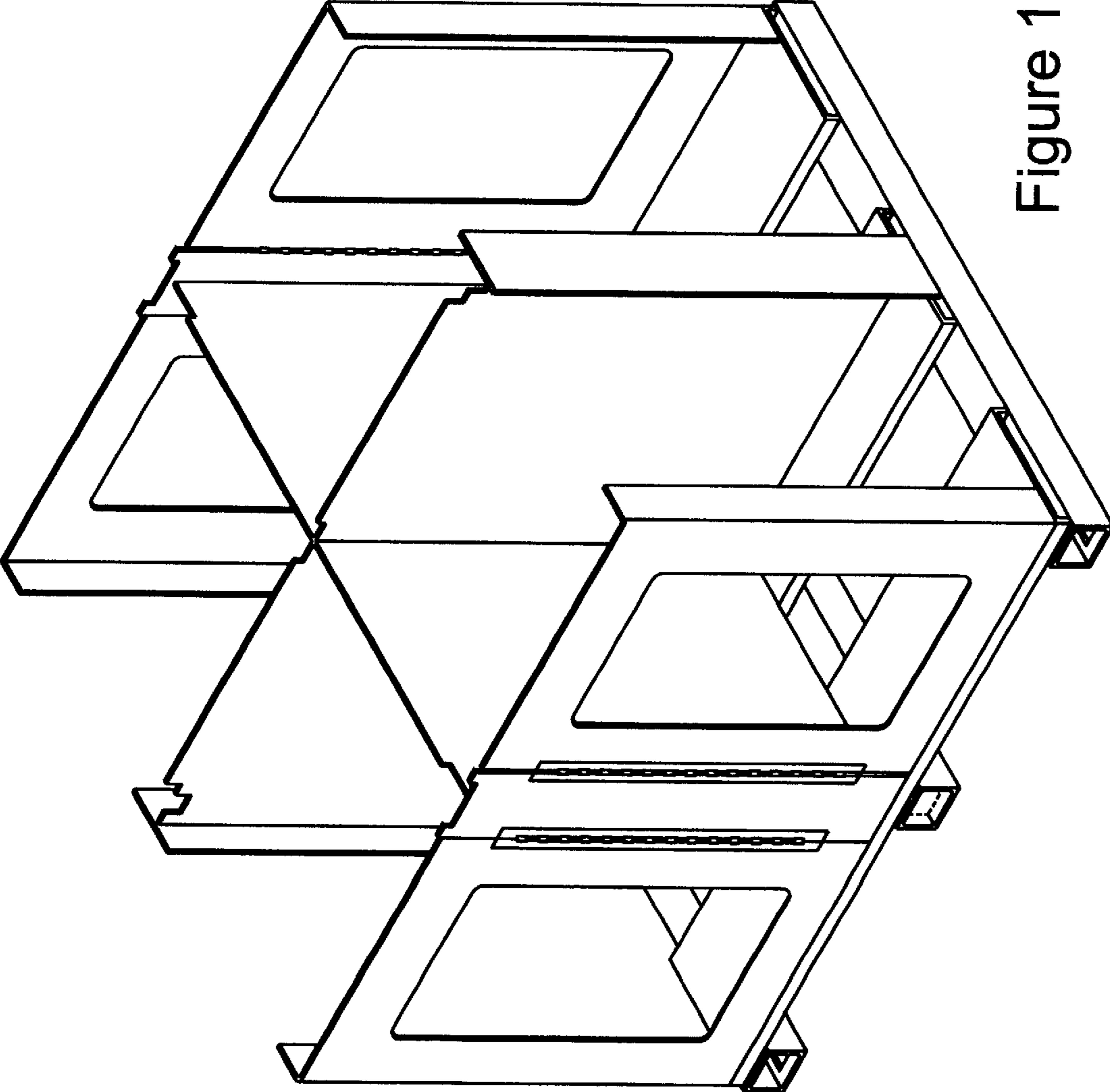


Figure 1

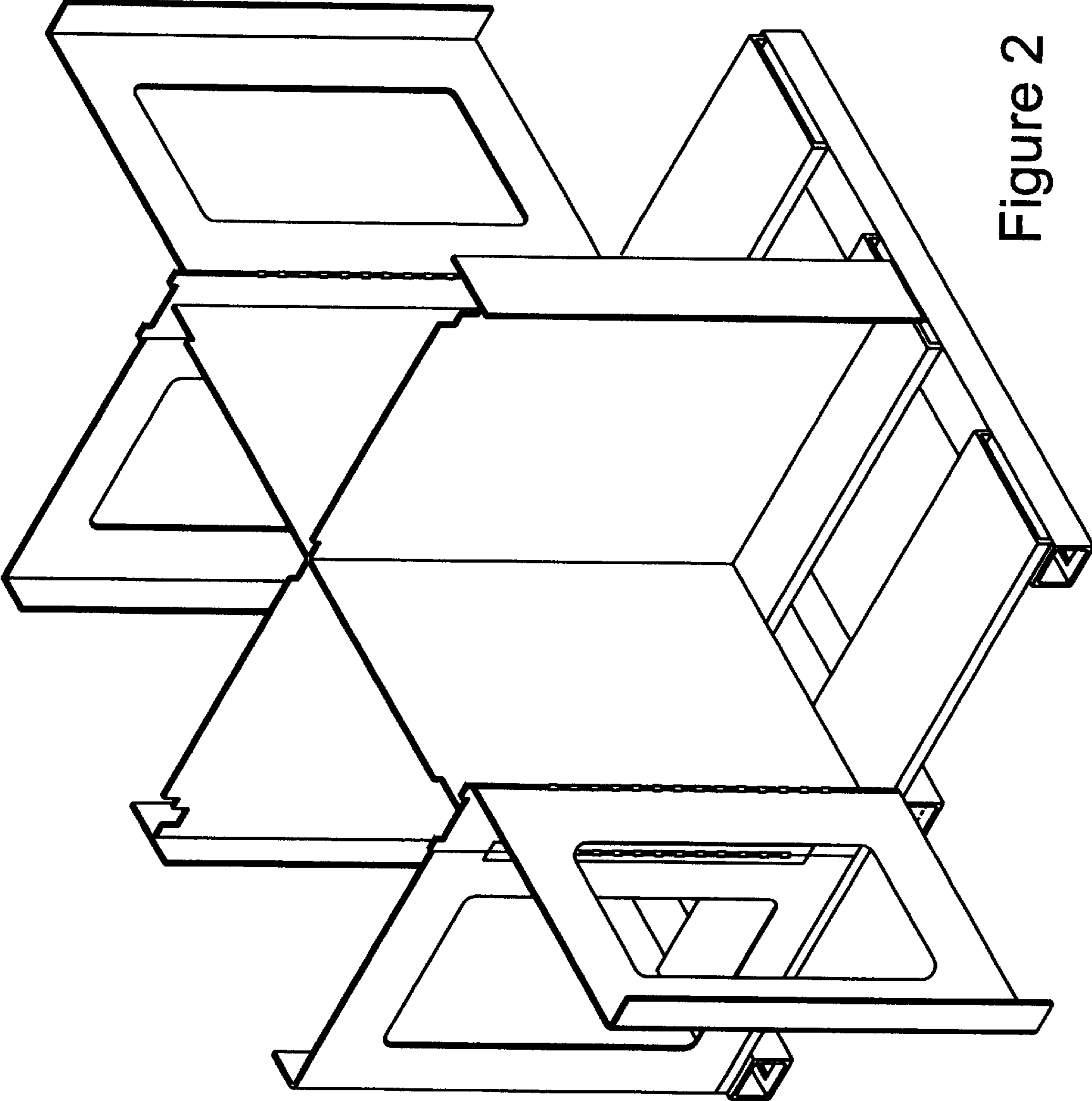


Figure 2

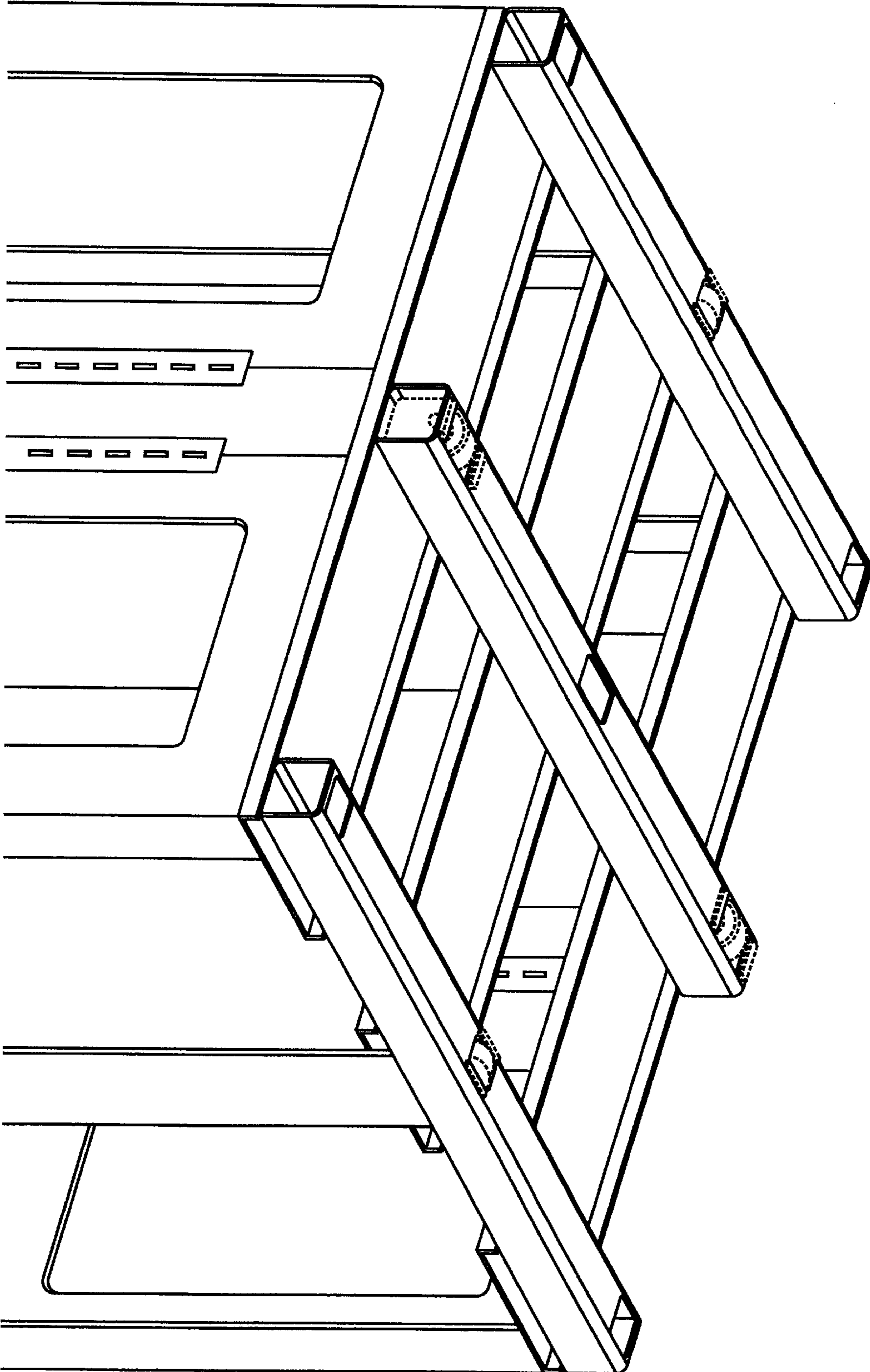


Figure 3

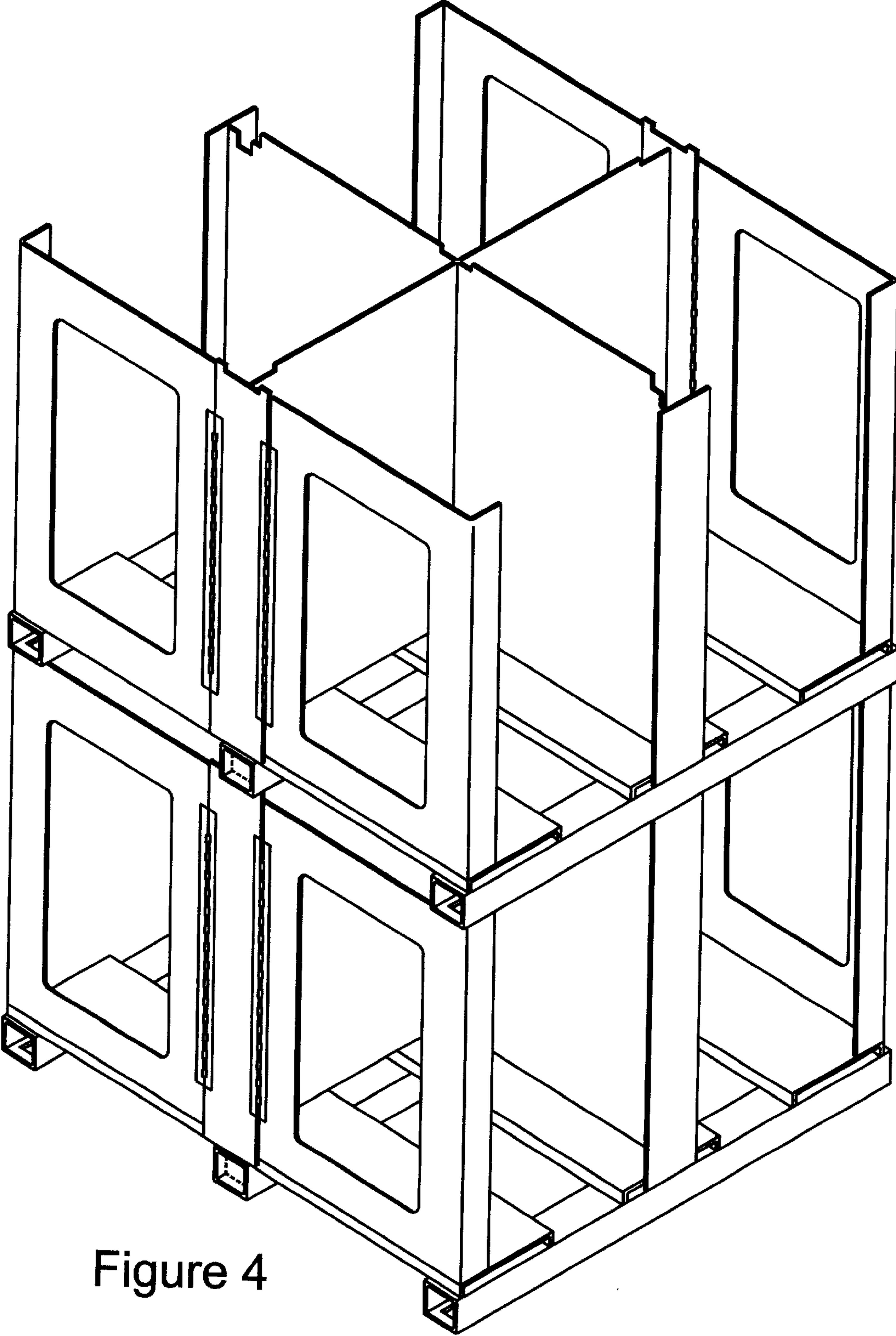


Figure 4