

US00D527858S

(12) **United States Design Patent**
Van Cleave et al.

(10) **Patent No.:** **US D527,858 S**

(45) **Date of Patent:** **** Sep. 5, 2006**

(54) **MAGNETIC NAIL SWEEPER**

(75) Inventors: **Jeffrey Van Cleave**, Troy, MI (US);
Eugene G. Eichhorn, Pinckney, MI
(US); **Matthew S. Damron**, Ypsilanti,
MI (US); **Joseph W. Pawlow**, Redford,
MI (US)

(73) Assignee: **Van Mark Products Corporation**,
Farmington Hills, MI (US)

(**) Term: **14 Years**

(21) Appl. No.: **29/219,201**

(22) Filed: **Dec. 14, 2004**

(51) **LOC (8) Cl.** **12-02**

(52) **U.S. Cl.** **D34/24**

(58) **Field of Classification Search** D34/12-27;
D12/34; 280/40; 294/65.5; 209/215, 213;
335/285

See application file for complete search history.

(56) **References Cited**

U.S. PATENT DOCUMENTS

2,417,762 A	3/1947	Koller
2,426,795 A	9/1947	Sjostrom
2,648,434 A	8/1953	Russell
2,654,480 A	10/1953	Stem
2,693,279 A	11/1954	Box et al.
2,709,002 A	5/1955	Hoff
2,970,003 A	1/1961	Heath, Jr. et al.
3,014,586 A	12/1961	Ross
3,206,783 A	9/1965	Schwartz

3,343,675 A	9/1967	Budd	
3,377,641 A	4/1968	McGregor	
3,646,492 A	2/1972	Westermann	
D241,303 S	* 9/1976	Sandel D8/14
D241,925 S	* 10/1976	Adams D34/26
D245,595 S	* 8/1977	Johnson D34/26
4,407,038 A	10/1983	Haase	
D281,112 S	* 10/1985	Nichols D34/26
4,684,141 A	* 8/1987	Nunokawa 280/40
5,395,148 A	3/1995	Jameson et al.	
D361,189 S	* 8/1995	Smeitink D34/26
5,979,957 A	* 11/1999	Conrad et al. 294/65.5
6,113,169 A	* 9/2000	Gohman et al. 294/65.5
6,402,212 B1	6/2002	Hsiao	
6,464,083 B1	10/2002	Harrison et al.	

* cited by examiner

Primary Examiner—Freda Nunn

Assistant Examiner—Kevin K. Rudzinski

(74) *Attorney, Agent, or Firm*—Brooks Kushman P.C.

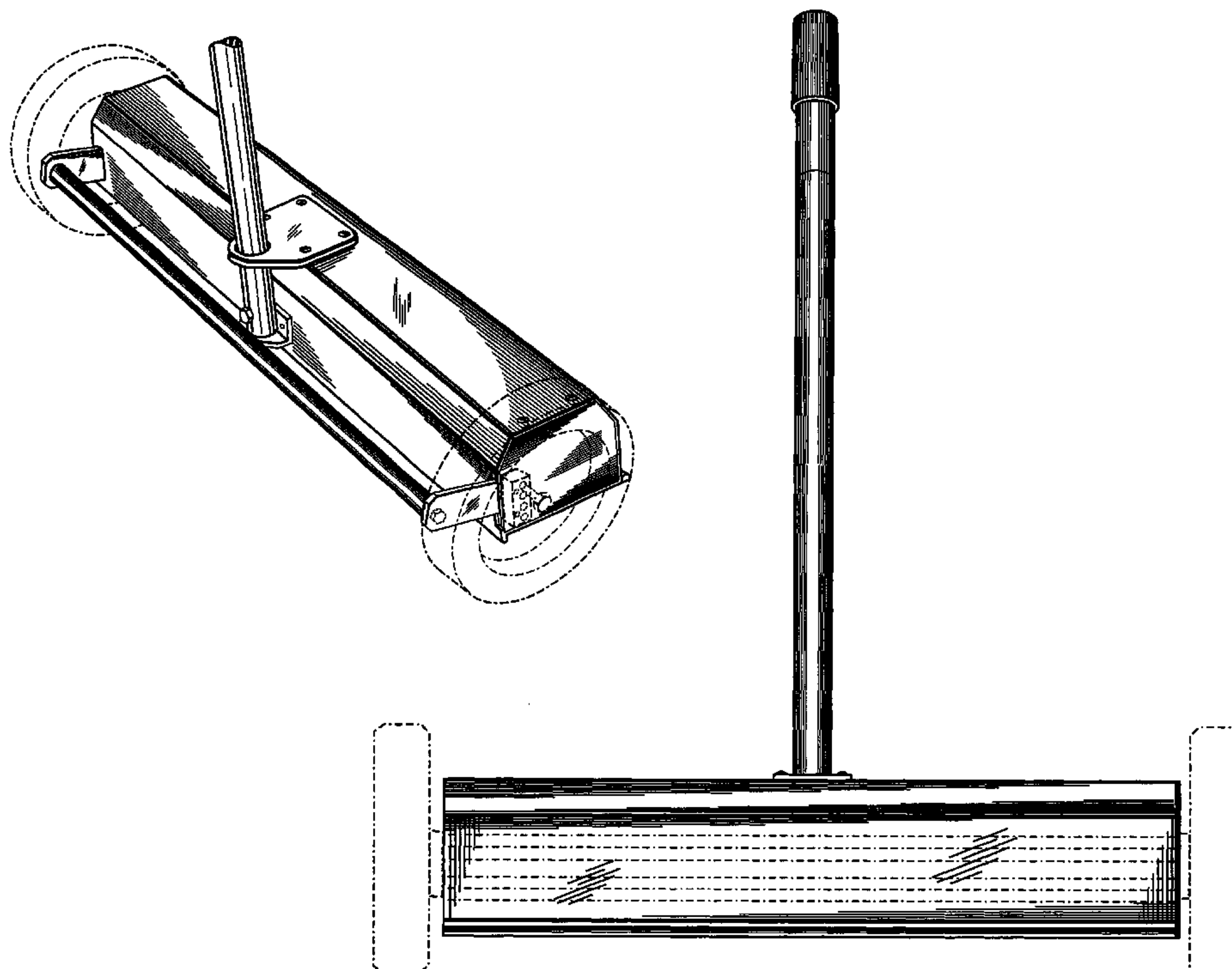
(57) **CLAIM**

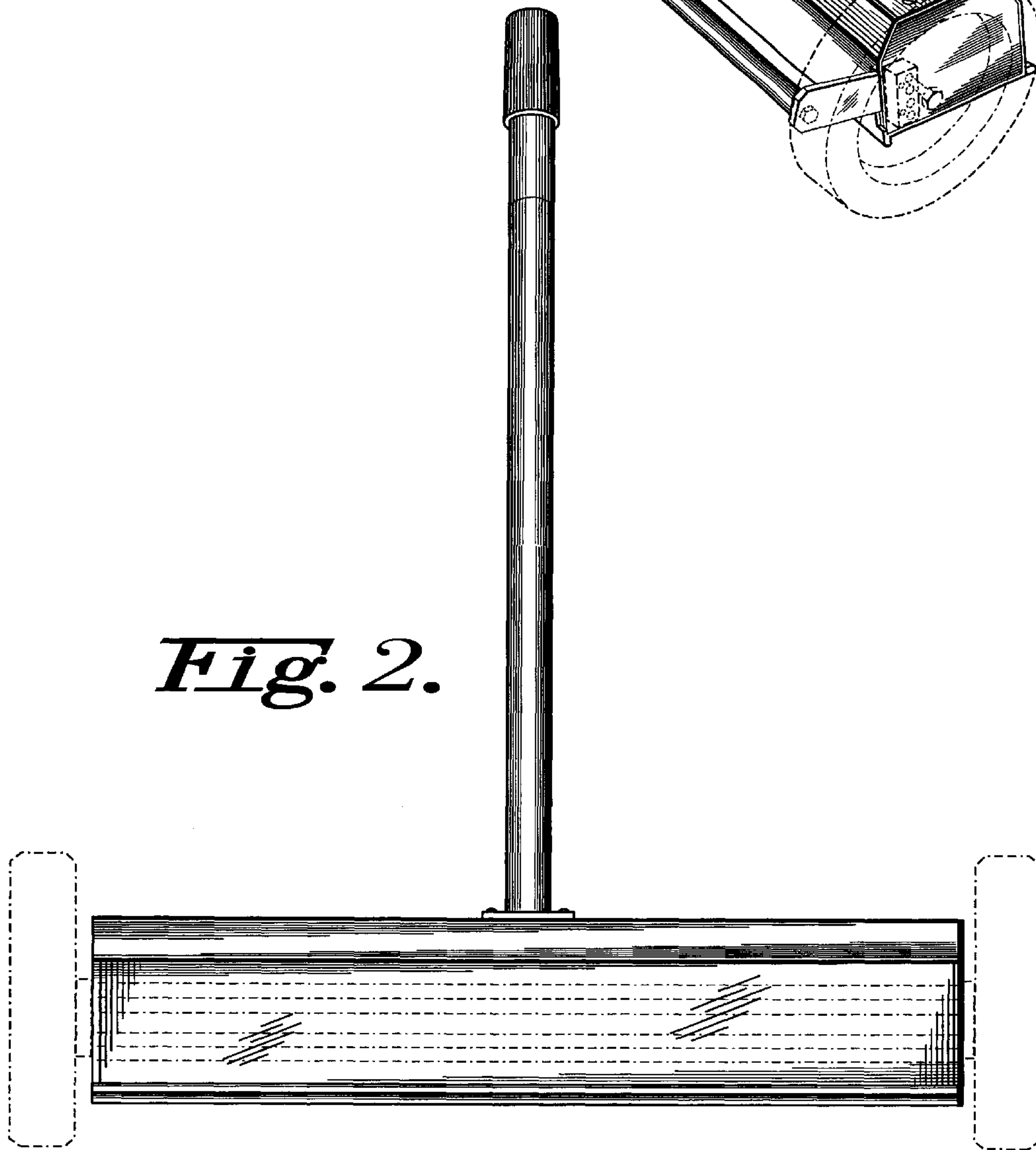
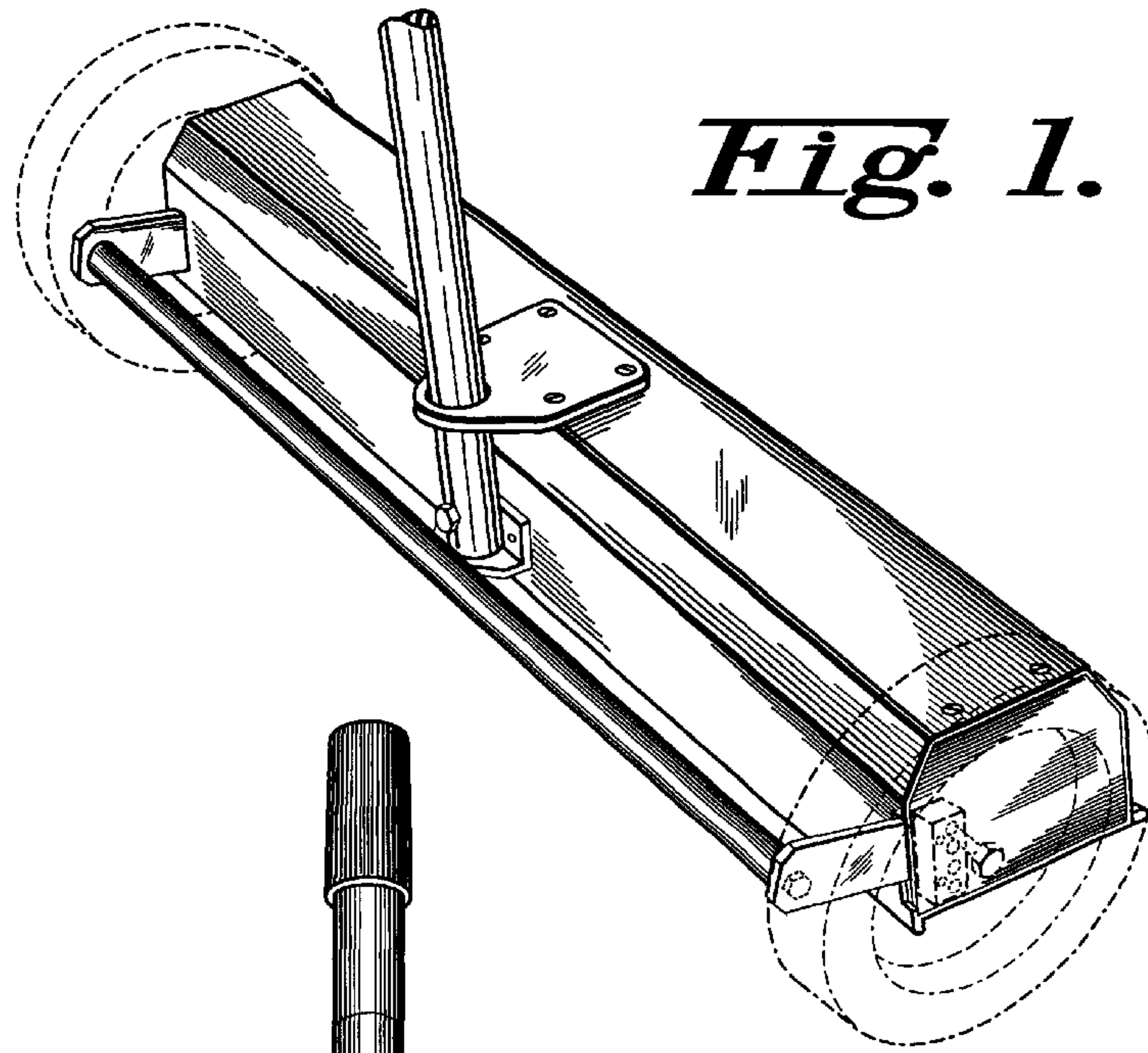
The ornamental design for a magnetic nail sweeper, as shown and described.

DESCRIPTION

FIG. 1 is a fragmented perspective view of the magnetic nail sweeper made in accordance with the present invention; FIG. 2 is a front elevation view thereof; FIG. 3 is a fragmented side elevation view thereof; and, FIG. 4 is a rear elevation view thereof. The broken lines are for illustrative purposes only and form no part of the claimed design.

1 Claim, 2 Drawing Sheets





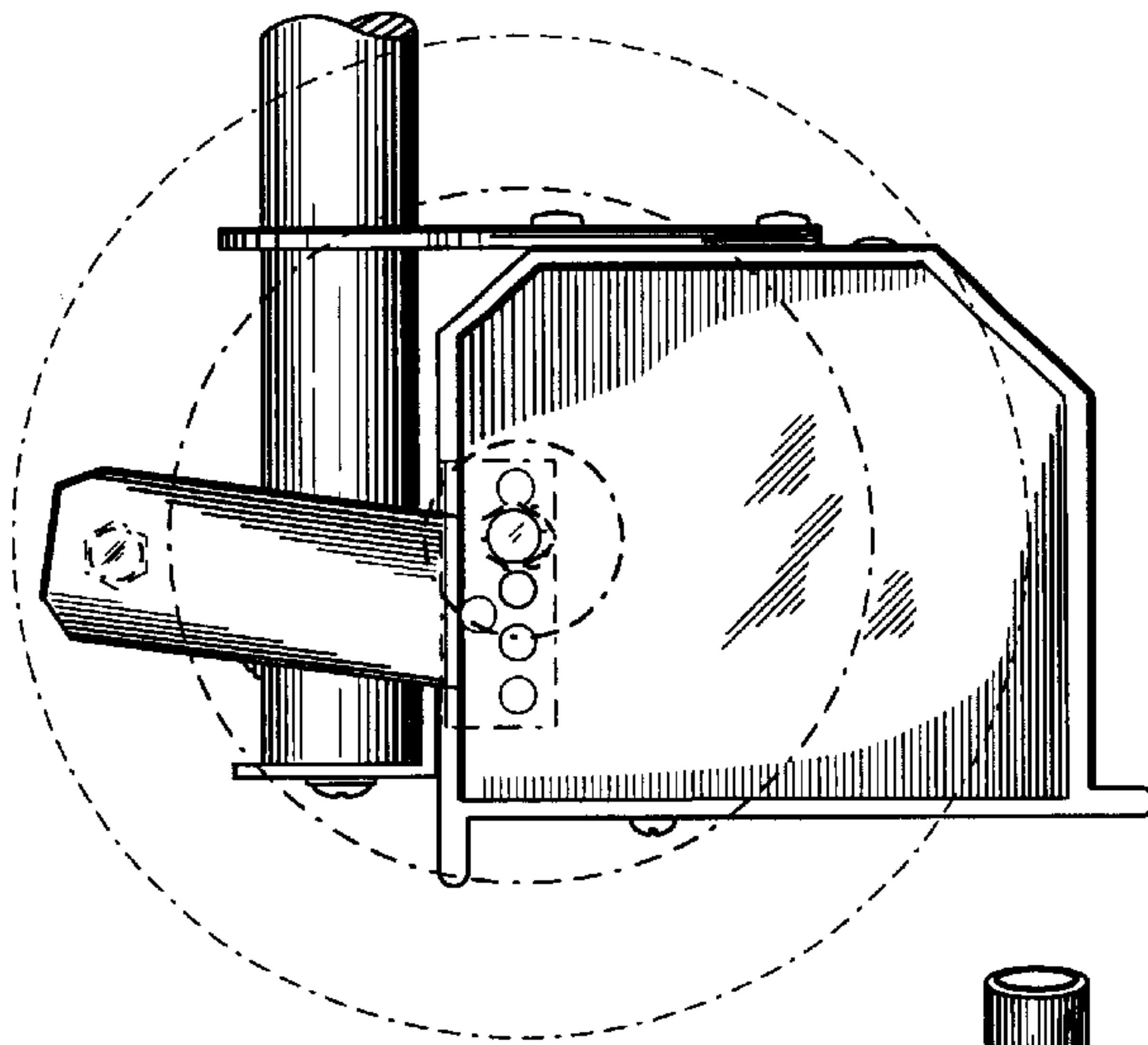


Fig. 3.

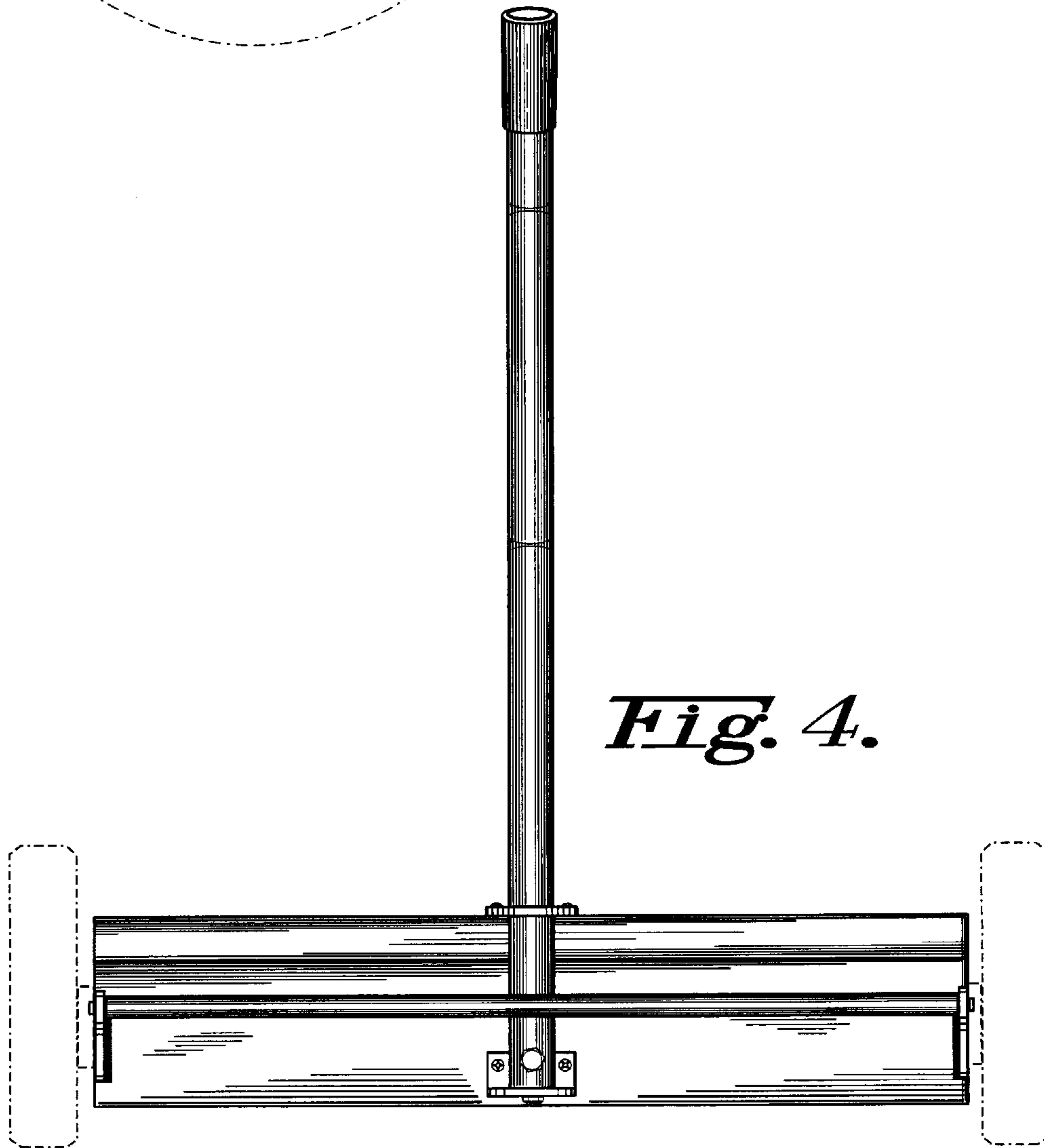


Fig. 4.