



US00D527856S

(12) **United States Design Patent**  
**Tropepe**

(10) **Patent No.:** **US D527,856 S**

(45) **Date of Patent:** **\*\* Sep. 5, 2006**

(54) **WASTE CAN TRANSPORT UNIT**

(76) **Inventor:** **Joseph Tropepe**, 324 SW. Jeanne Ave.,  
Port St. Lucie, FL (US) 34953

(\*\*) **Term:** **14 Years**

(21) **Appl. No.:** **29/206,409**

(22) **Filed:** **Jun. 1, 2004**

(51) **LOC (8) Cl.** ..... **12-02**

(52) **U.S. Cl.** ..... **D34/21**

(58) **Field of Classification Search** ..... D34/1,  
D34/5, 6, 7, 12-27; 211/49.1, 194, 126.1,  
211/134, 187, 188, 189; 108/59, 63, 91, 106,  
108/156, 144.11; 248/128, 129; D6/479,  
D6/478, 480, 476, 396, 439, 465, 446, 477,  
D6/461, 473, 462, 463, 464; 280/47.35, 47.34,  
280/47.19, 47.24, 47.26, 79.3, 79.11, 79.2,  
280/659, 654, 33.991; 206/545, 546, 549;  
D7/334, 335, 336; D32/37; 220/908, 909,  
220/910, 911

See application file for complete search history.

(56) **References Cited**

**U.S. PATENT DOCUMENTS**

D99,804 S	*	5/1936	Hoffman	.....	D34/24
2,677,470 A	*	5/1954	Catalano	.....	108/62
D252,264 S	*	7/1979	Paterson	.....	D34/25
D264,030 S	*	4/1982	Collins	.....	D6/477
D264,411 S	*	5/1982	Collins	.....	D6/477
4,706,817 A	*	11/1987	Greathouse	.....	206/545
4,726,485 A	*	2/1988	Bailey	.....	220/6

D297,988 S	*	10/1988	Maurer et al.	.....	D6/479
D354,186 S	*	1/1995	Grosfillex	.....	D34/21
D361,188 S	*	8/1995	Perelli	.....	D34/21
D383,581 S	*	9/1997	Ordonez	.....	D34/5
D430,375 S	*	8/2000	Tezak	.....	D34/21
D479,028 S	*	8/2003	Moon et al.	.....	D34/21

\* cited by examiner

*Primary Examiner*—Freda Nunn

*Assistant Examiner*—Kevin K. Rudzinski

(74) *Attorney, Agent, or Firm*—Kevin Redmond

(57) **CLAIM**

I claim the ornamental design for a waste can transport unit, as shown and described.

**DESCRIPTION**

FIG. 1 is a perspective view of the waste can transport unit of the present invention with side waste can attached.

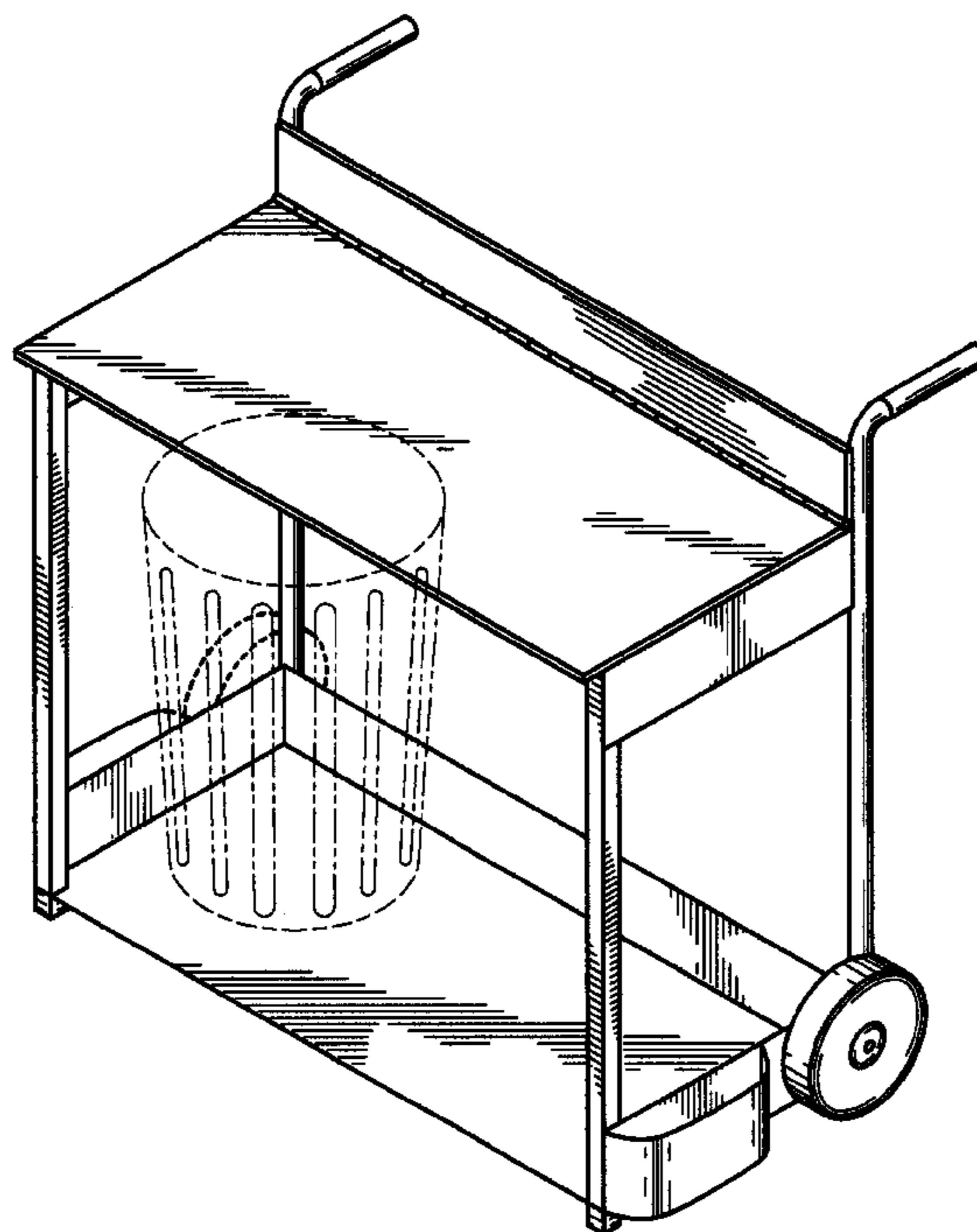
FIG. 2 is a perspective view of a side waste bin, which may be attached to the lower side of the transport unit as shown in FIG. 1, being shown separately for clarity of illustration only;

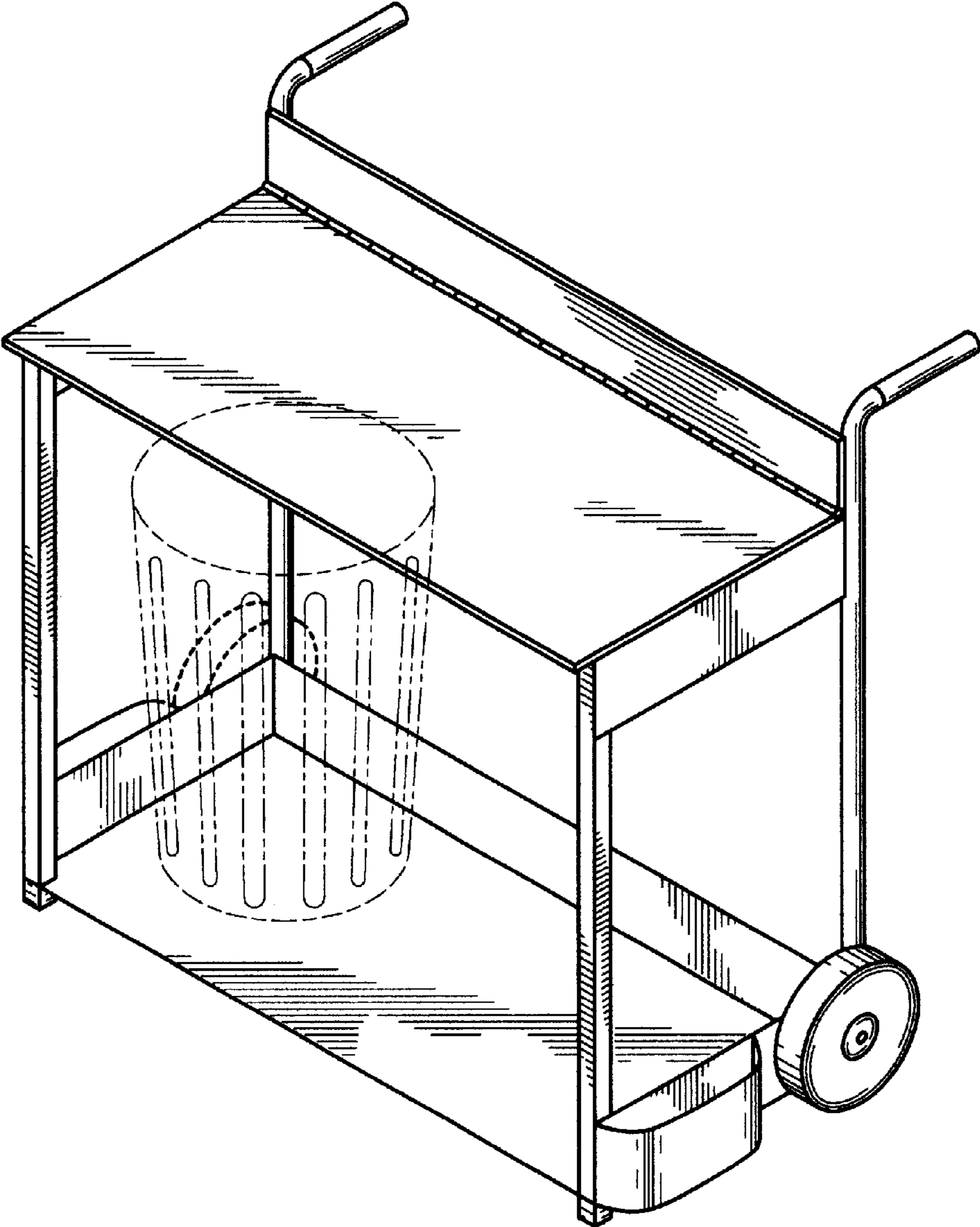
FIG. 3 is a perspective view of a side waste bin which may be attached to the lower side of the transport unit as shown in FIG. 1, being shown separately for clarity of illustration only; and,

FIG. 4 is a right side view of the waste can transport unit of FIG. 1.

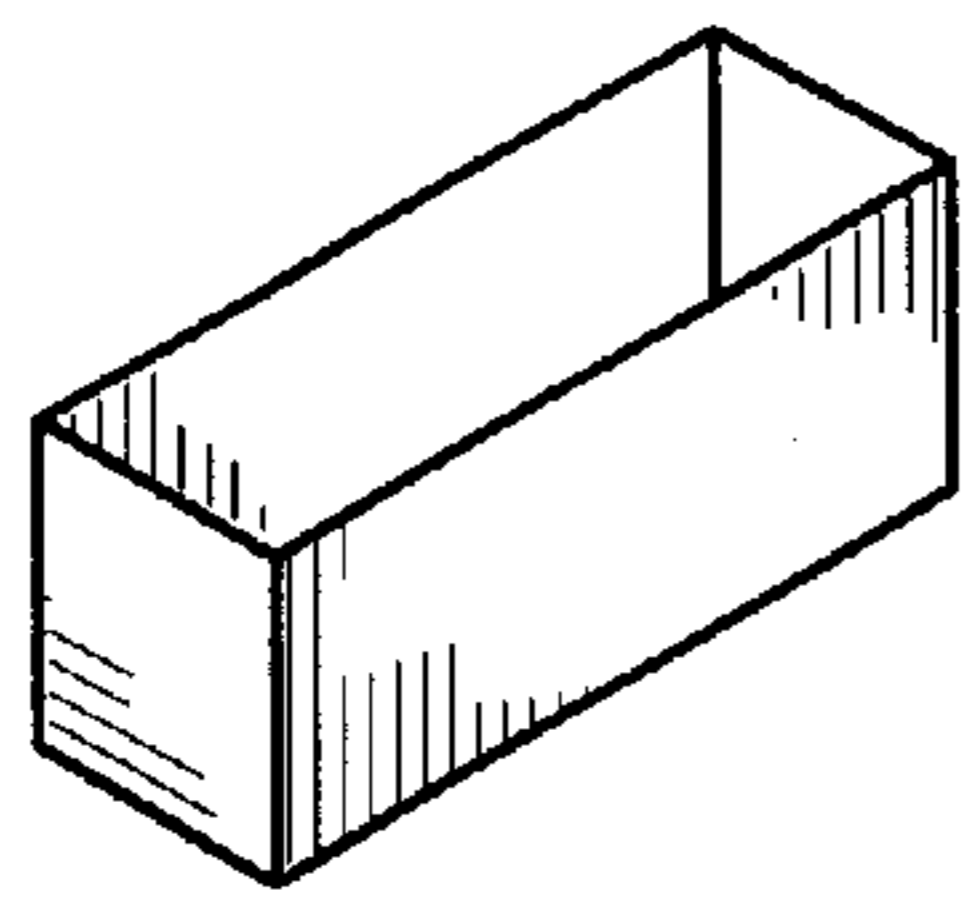
The broken line showing of a trash can is for illustrative purposes only and forms no part of the claimed design.

**1 Claim, 2 Drawing Sheets**

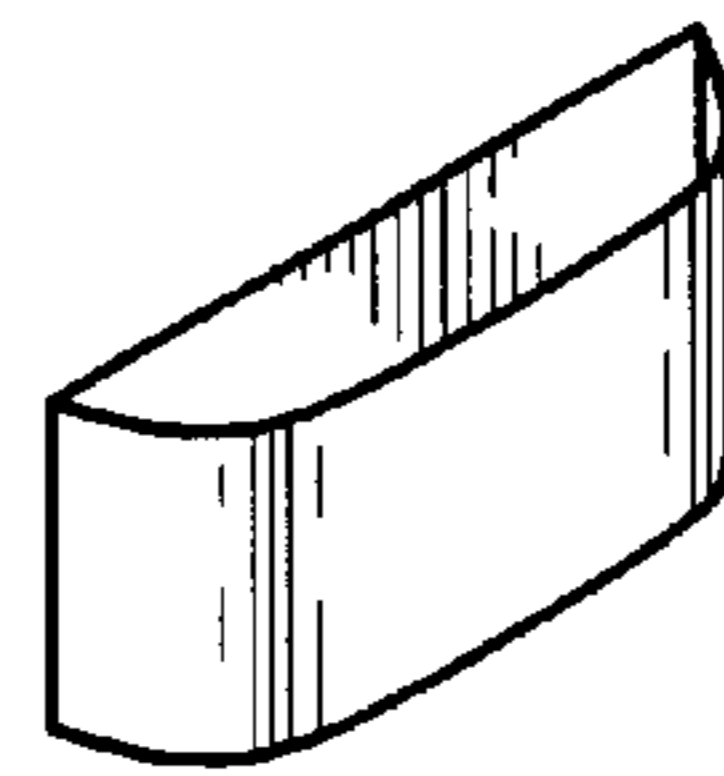




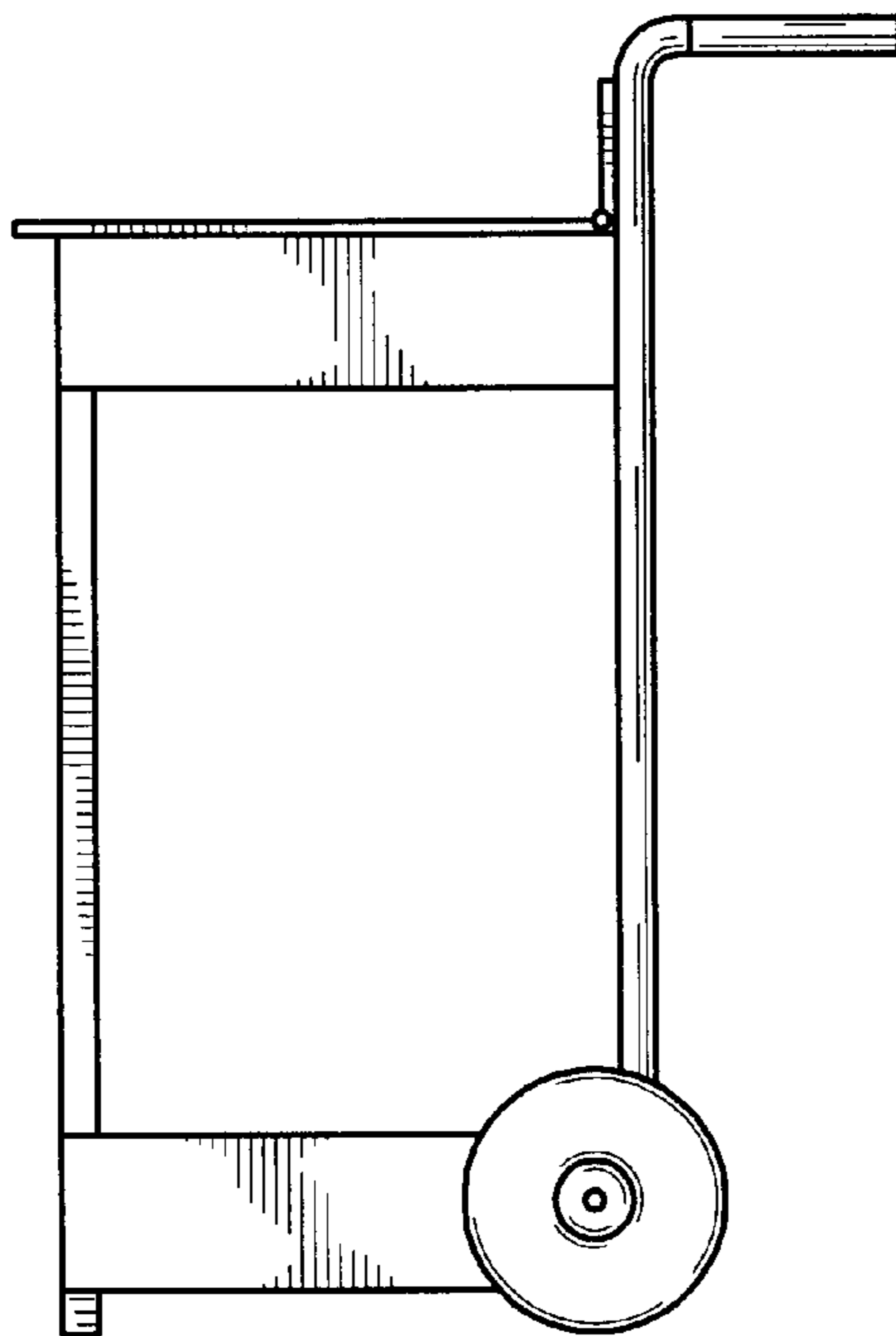
*Fig. 1*



*Fig. 2*



*Fig. 3*



*Fig. 4*