



US00D527852S

(12) **United States Design Patent**  
**Tsai**

(10) **Patent No.:** **US D527,852 S**

(45) **Date of Patent:** **\*\* Sep. 5, 2006**

(54) **DUST COLLECTOR**

(75) Inventor: **Ching-Lin Tsai**, Taichung (TW)

(73) Assignee: **OAV Equipment & Tools, Inc.** (TW)

(\*\*) Term: **14 Years**

(21) Appl. No.: **29/206,514**

(22) Filed: **Jun. 2, 2004**

(51) **LOC (8) Cl.** ..... **15-05**

(52) **U.S. Cl.** ..... **D32/1**

(58) **Field of Classification Search** ..... D32/1,  
D32/15, 16, 21, 23, 31; 55/356, 378, 429,  
55/315, 482, 472, DIG. 3, 357, 366, 473;  
15/347, 352

See application file for complete search history.

(56) **References Cited**

**U.S. PATENT DOCUMENTS**

- 4,581,050 A \* 4/1986 Krantz ..... 55/315.2
- 4,917,712 A \* 4/1990 Crigler ..... 95/280
- 5,163,985 A \* 11/1992 Chen ..... 55/356
- D357,094 S \* 4/1995 Lin ..... D32/1

- D357,095 S \* 4/1995 Lin ..... D32/1
- D358,234 S \* 5/1995 Lin ..... D32/1
- 6,797,046 B1 \* 9/2004 Wang ..... 96/421
- D501,964 S \* 2/2005 Cheng ..... D32/21
- D502,297 S \* 2/2005 Cheng ..... D32/21

\* cited by examiner

*Primary Examiner*—Louis S. Zarfaz

*Assistant Examiner*—Kathleen Sims

(74) *Attorney, Agent, or Firm*—Bacon & Thomas, PLLC

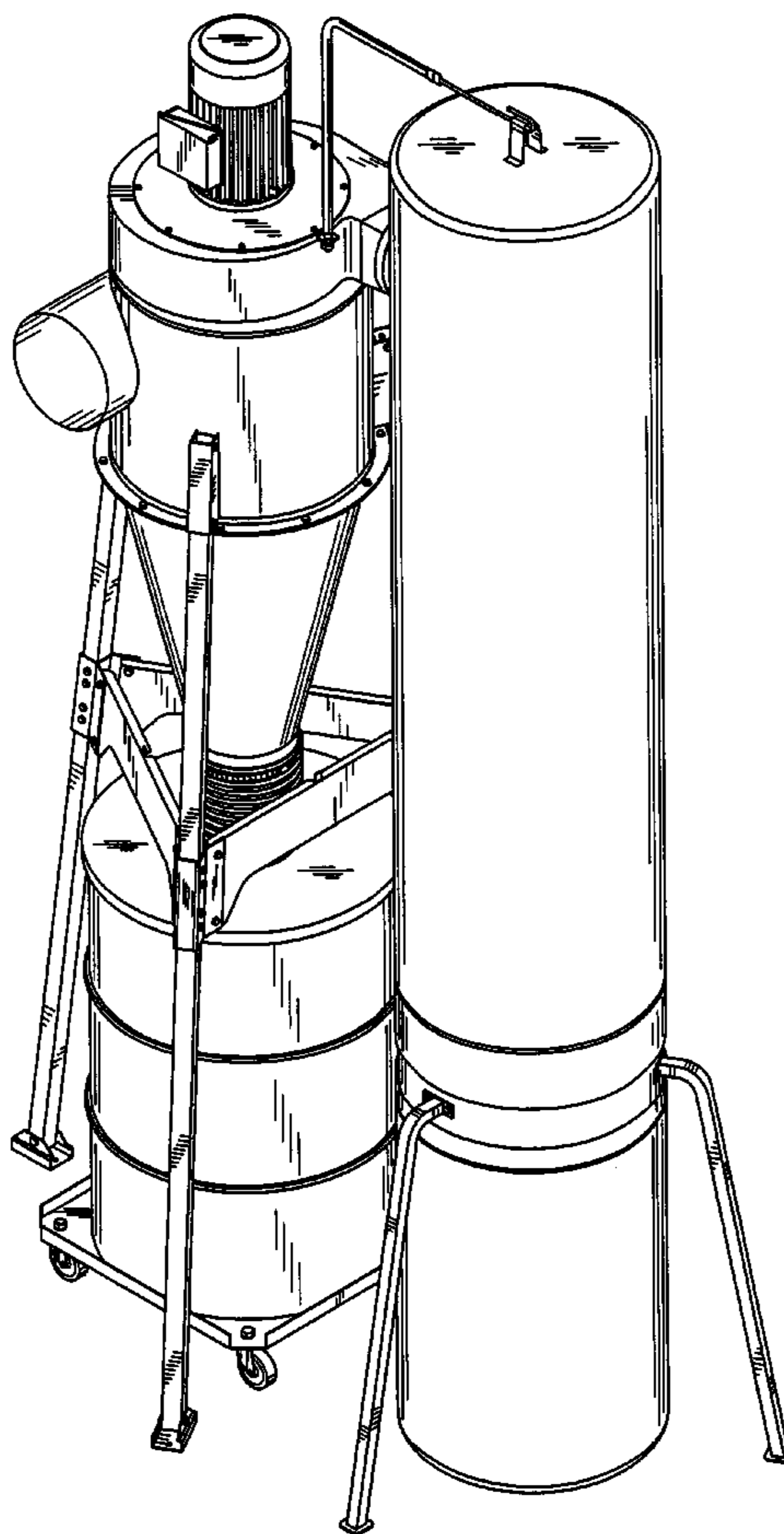
(57) **CLAIM**

The ornamental design for “dust collector,” as shown.

**DESCRIPTION**

FIG. 1 shows a perspective view of the present design.  
 FIG. 2 shows a right side elevational view of the present design.  
 FIG. 3 shows a top plan view of the present design.  
 FIG. 4 shows a front elevational view of the present design.  
 FIG. 5 shows a bottom plan view of the present design.  
 FIG. 6 shows a left side elevational view of the present design; and,  
 FIG. 7 shows a rear elevational view of the present design.

**1 Claim, 6 Drawing Sheets**



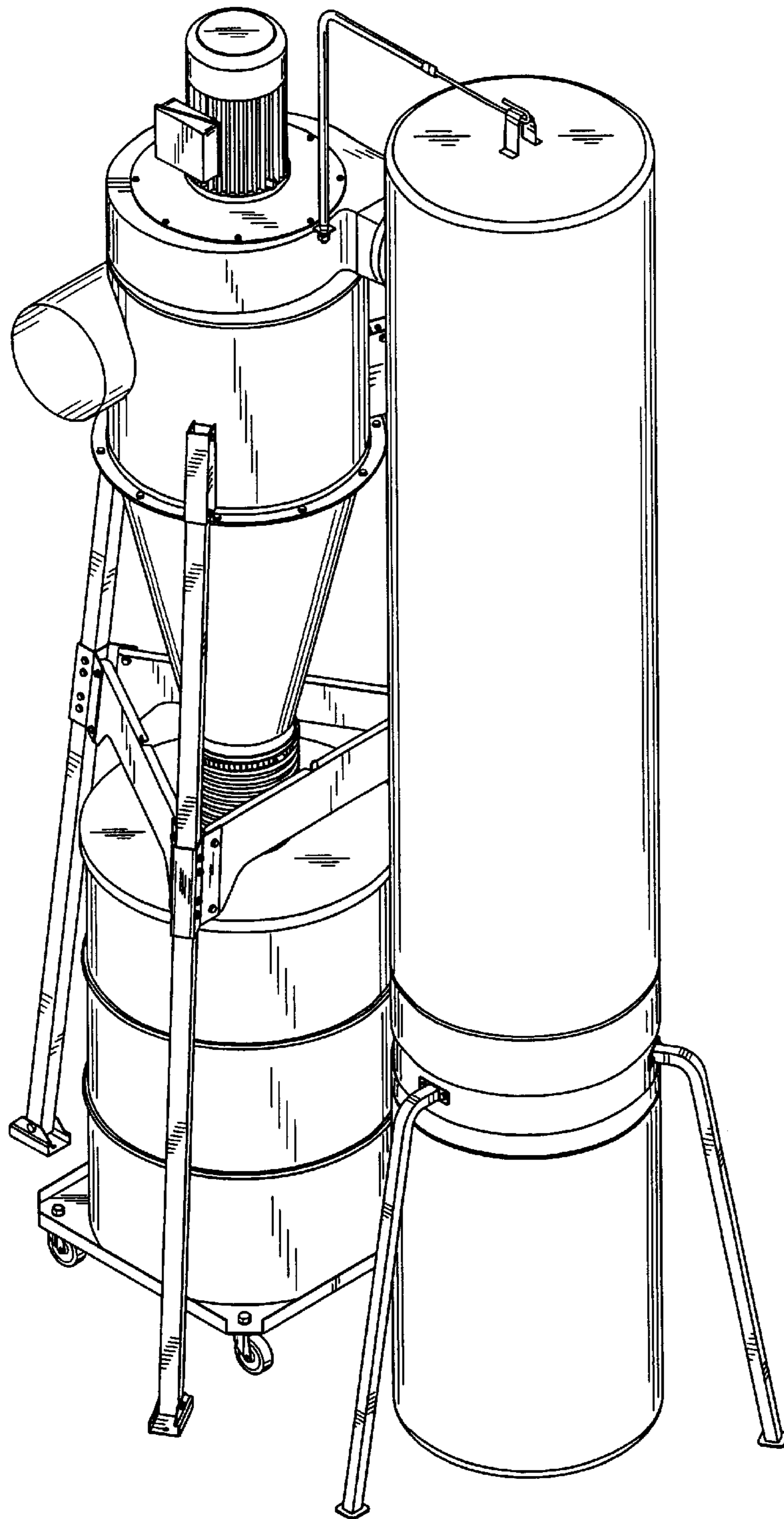


FIG. 1

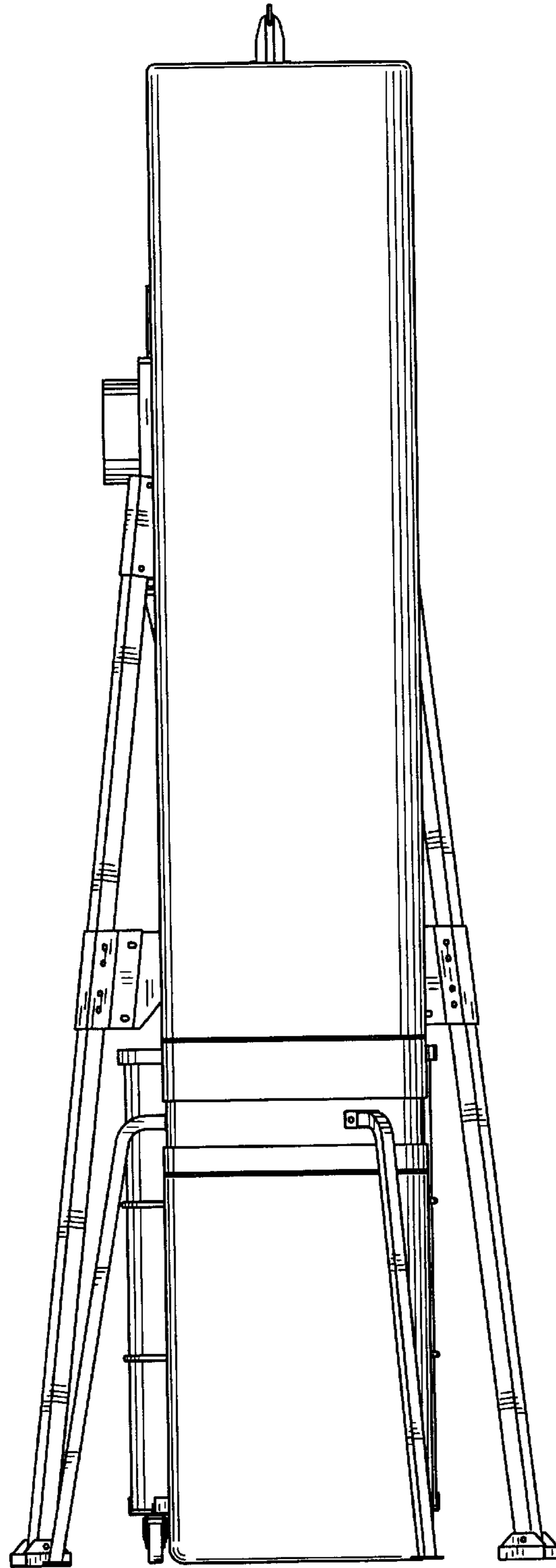


FIG. 2

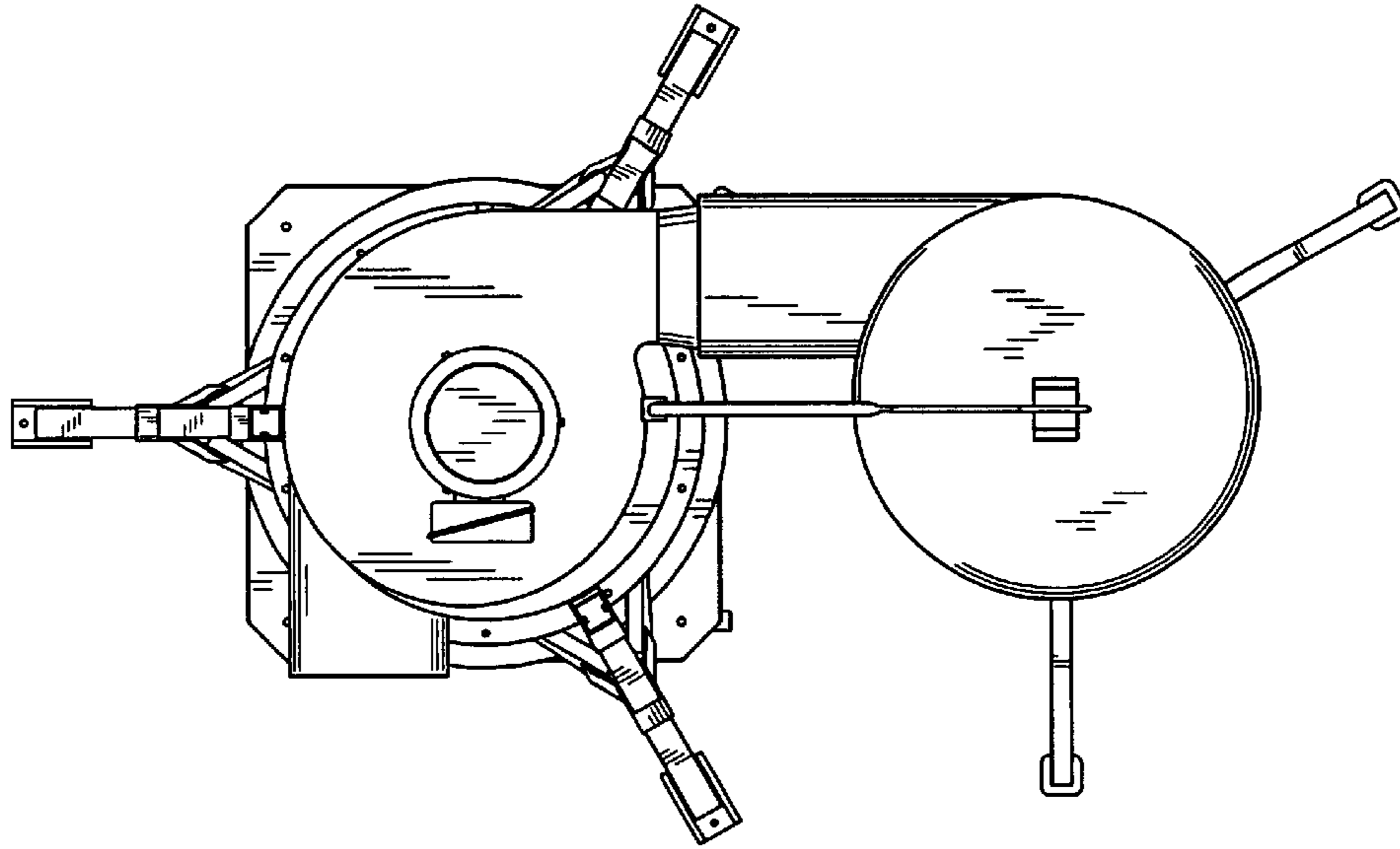


FIG. 3

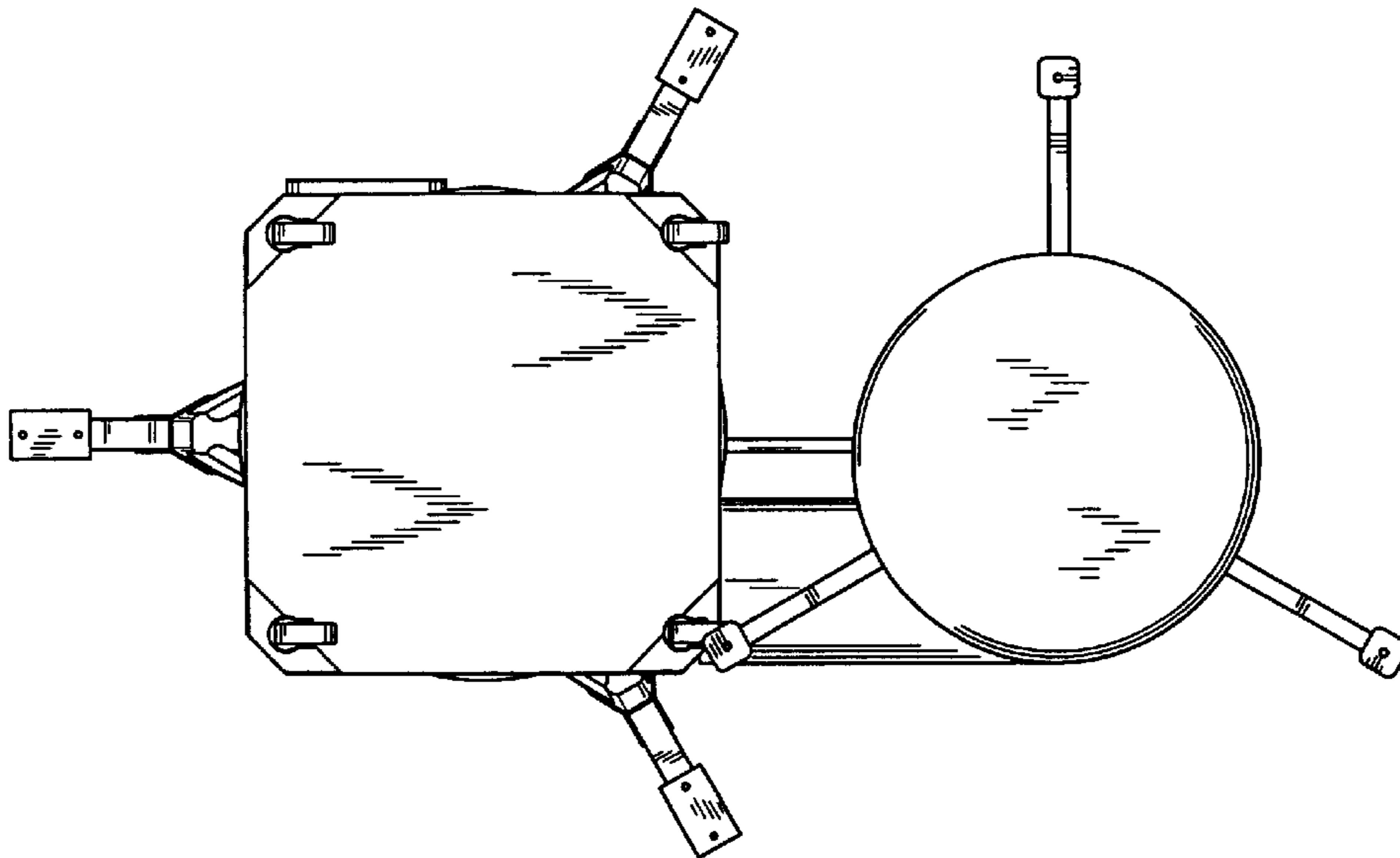


FIG. 5

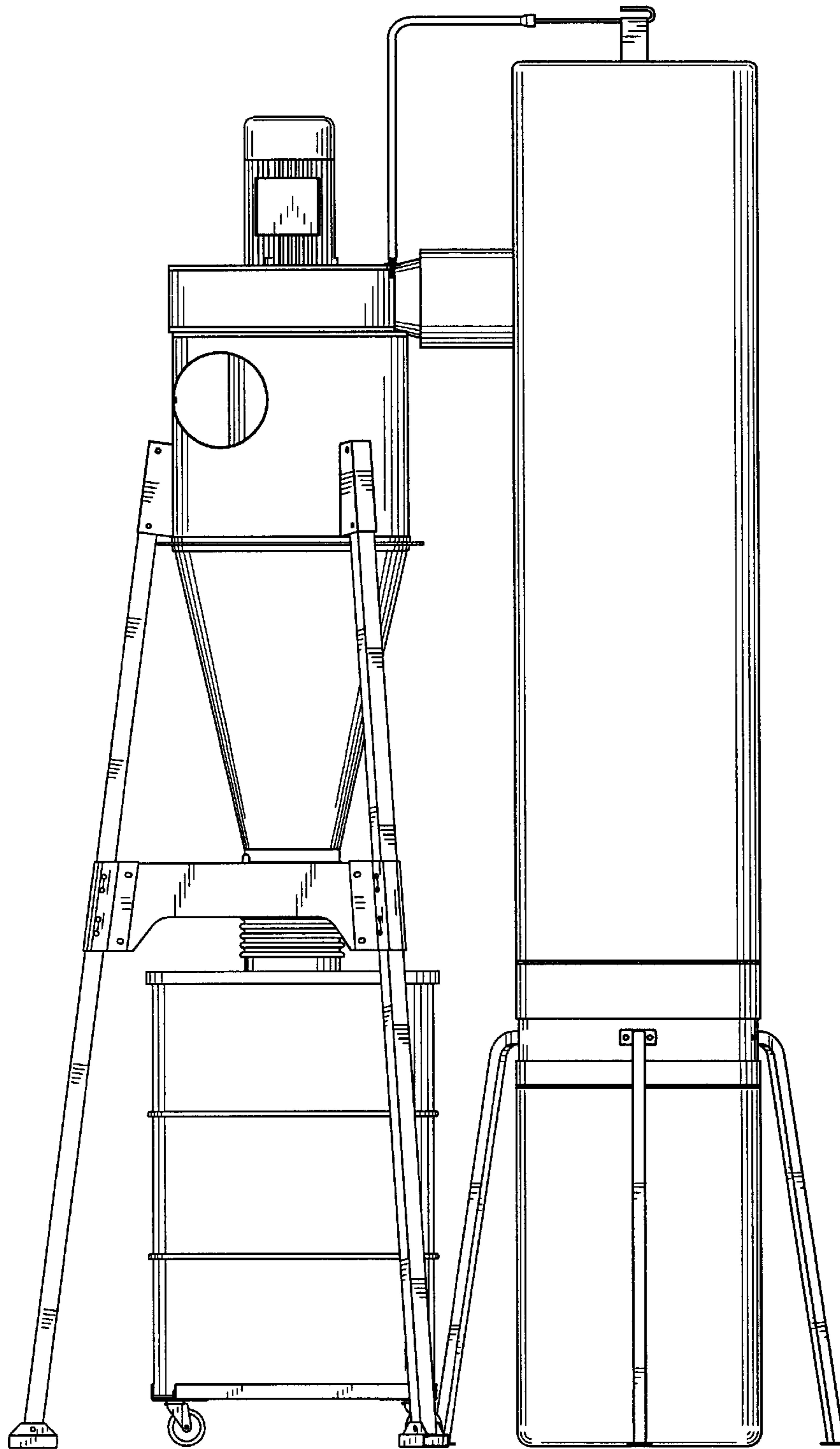


FIG. 4

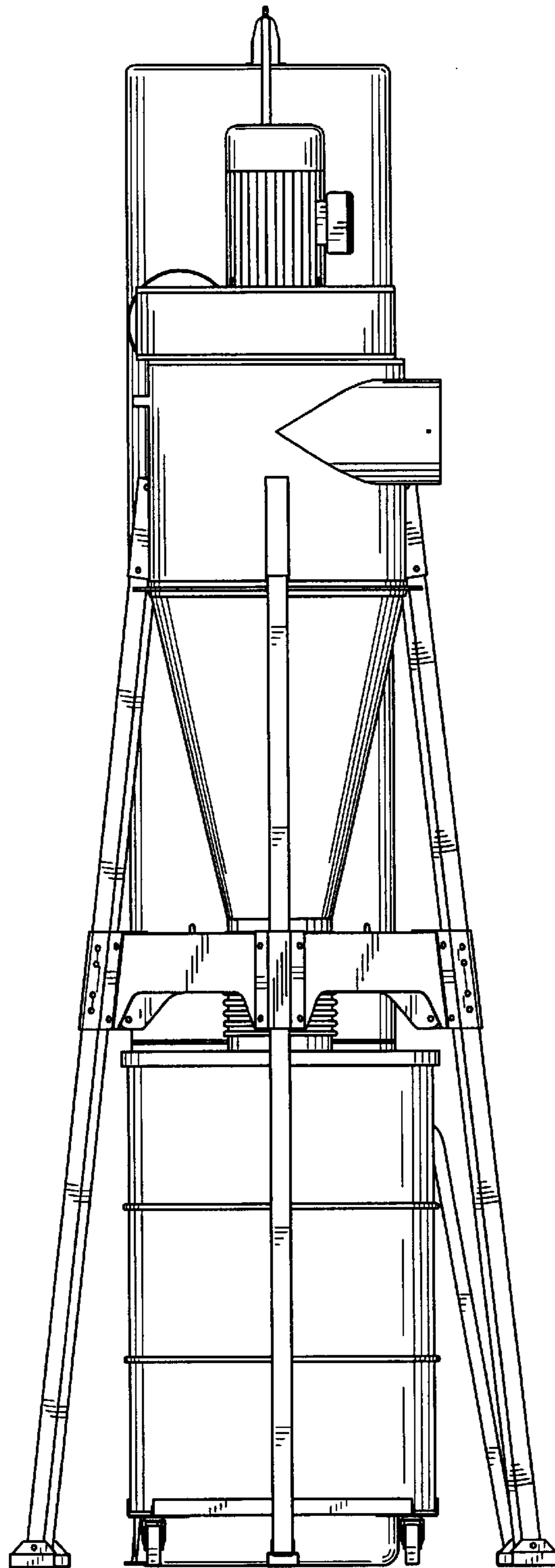


FIG. 6

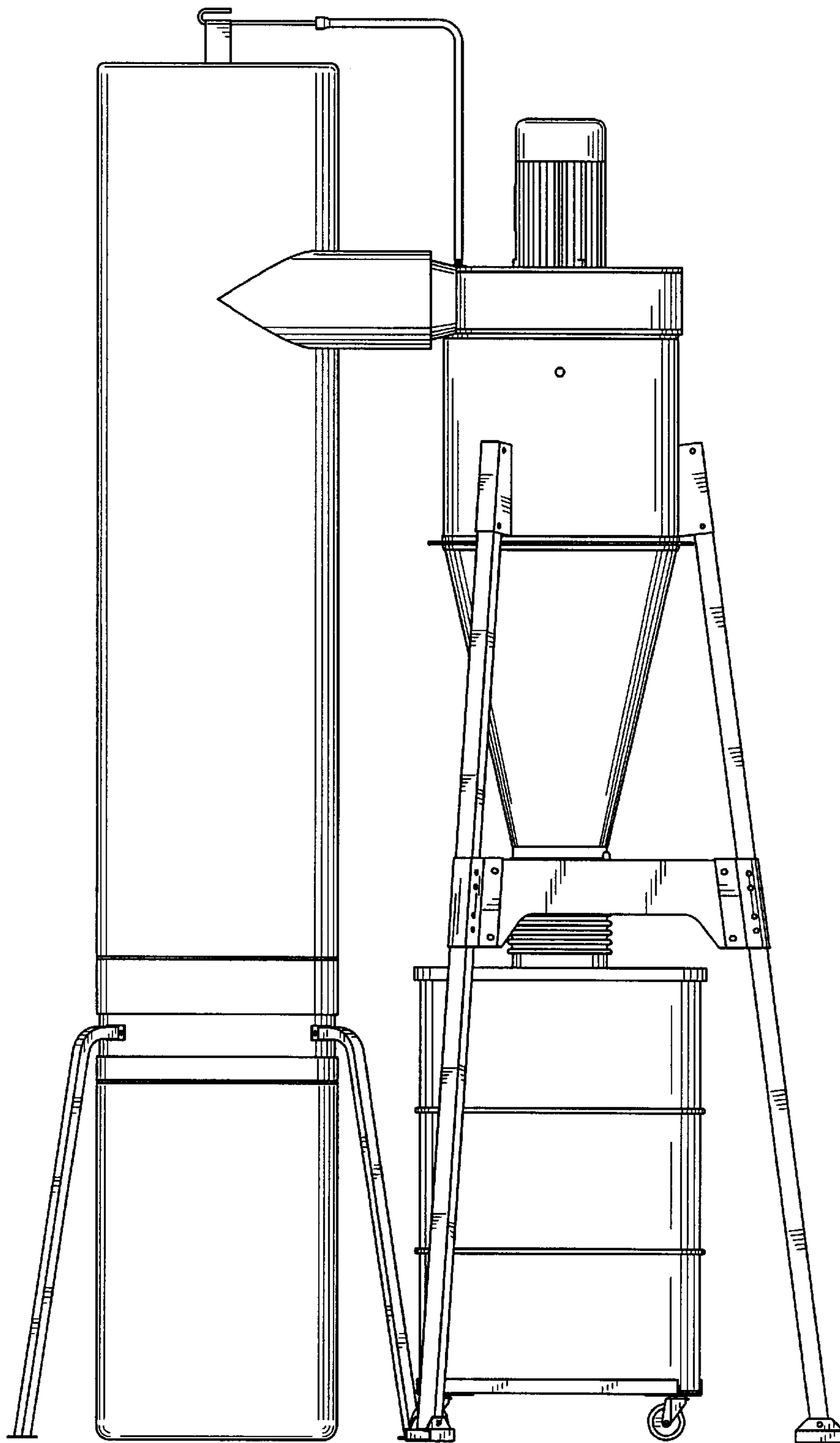


FIG. 7