



US00D527849S

(12) **United States Design Patent**
Huh

(10) **Patent No.:** **US D527,849 S**

(45) **Date of Patent:** **** Sep. 5, 2006**

(54) **WELDING MASK**

(75) Inventor: **Moon Young Huh**, Seoul (KR)

(73) Assignee: **Otos Tech Co., Ltd.**, Seoul (KR)

(**) Term: **14 Years**

(21) Appl. No.: **29/223,099**

(22) Filed: **Feb. 9, 2005**

(51) **LOC (8) Cl.** **29-02**

(52) **U.S. Cl.** **D29/110**

(58) **Field of Classification Search** D29/102-110,
D29/122; 2/7-8, 15, 410, 424, 427, 429,
2/9, 431-433, 441; 219/147; 359/361; 434/234;
D24/110.2, 110.3; 128/206.21
See application file for complete search history.

(56) **References Cited**

U.S. PATENT DOCUMENTS

3,517,393	A	6/1970	Beauchef	
5,657,106	A	8/1997	Herald, Jr. et al.	
D393,933	S	4/1998	Huh	
D394,732	S	* 5/1998	Huh D29/110
5,771,499	A	6/1998	Monaco et al.	
D398,421	S	* 9/1998	Crafoord et al. D29/110
6,038,707	A	3/2000	Ryden et al.	
6,138,285	A	10/2000	Robrahn et al.	
D446,887	S	8/2001	Young	
6,450,639	B1	9/2002	Abraham	

D478,111	S	8/2003	Huh	
D481,832	S	11/2003	Huh	
D482,502	S	11/2003	Huh	
D482,503	S	11/2003	Huh	
D489,492	S	* 5/2004	Wu D29/110

FOREIGN PATENT DOCUMENTS

KR	94-12068	6/1994
KR	0320527	7/2003

OTHER PUBLICATIONS

U.S. Appl. No. 10/062,510.

* cited by examiner

Primary Examiner—Ruth McInroy

(74) *Attorney, Agent, or Firm*—Roth & Goldman, P.A.

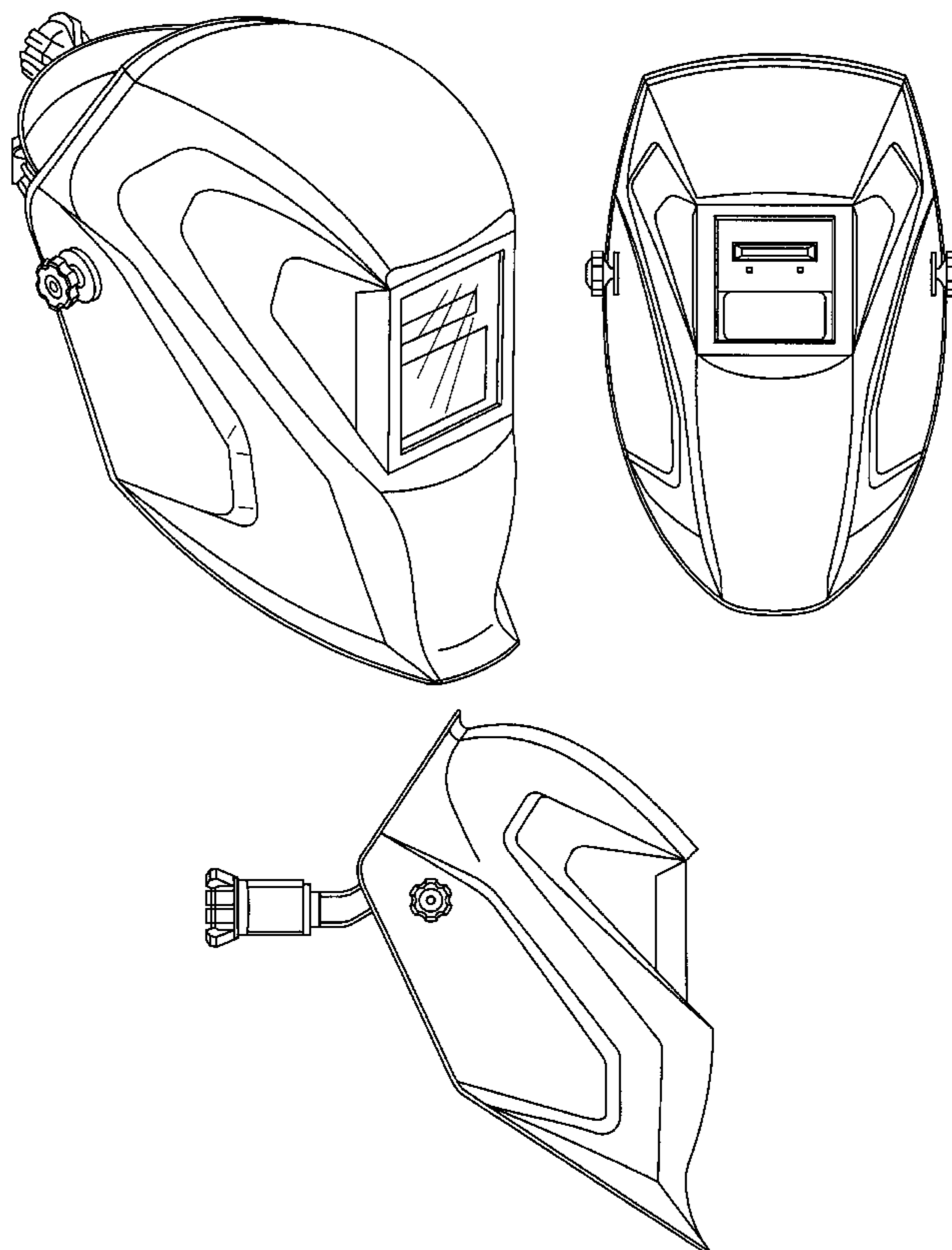
(57) **CLAIM**

The ornamental design for a welding mask, as shown.

DESCRIPTION

FIG. 1 is a perspective view showing my new design;
FIG. 2 is a front elevation view;
FIG. 3 is a rear elevation view;
FIG. 4 is a top plan view;
FIG. 5 is a bottom plan view; and,
FIG. 6 is a left side elevation view, the right side elevation
view being a mirror image thereof.

1 Claim, 6 Drawing Sheets



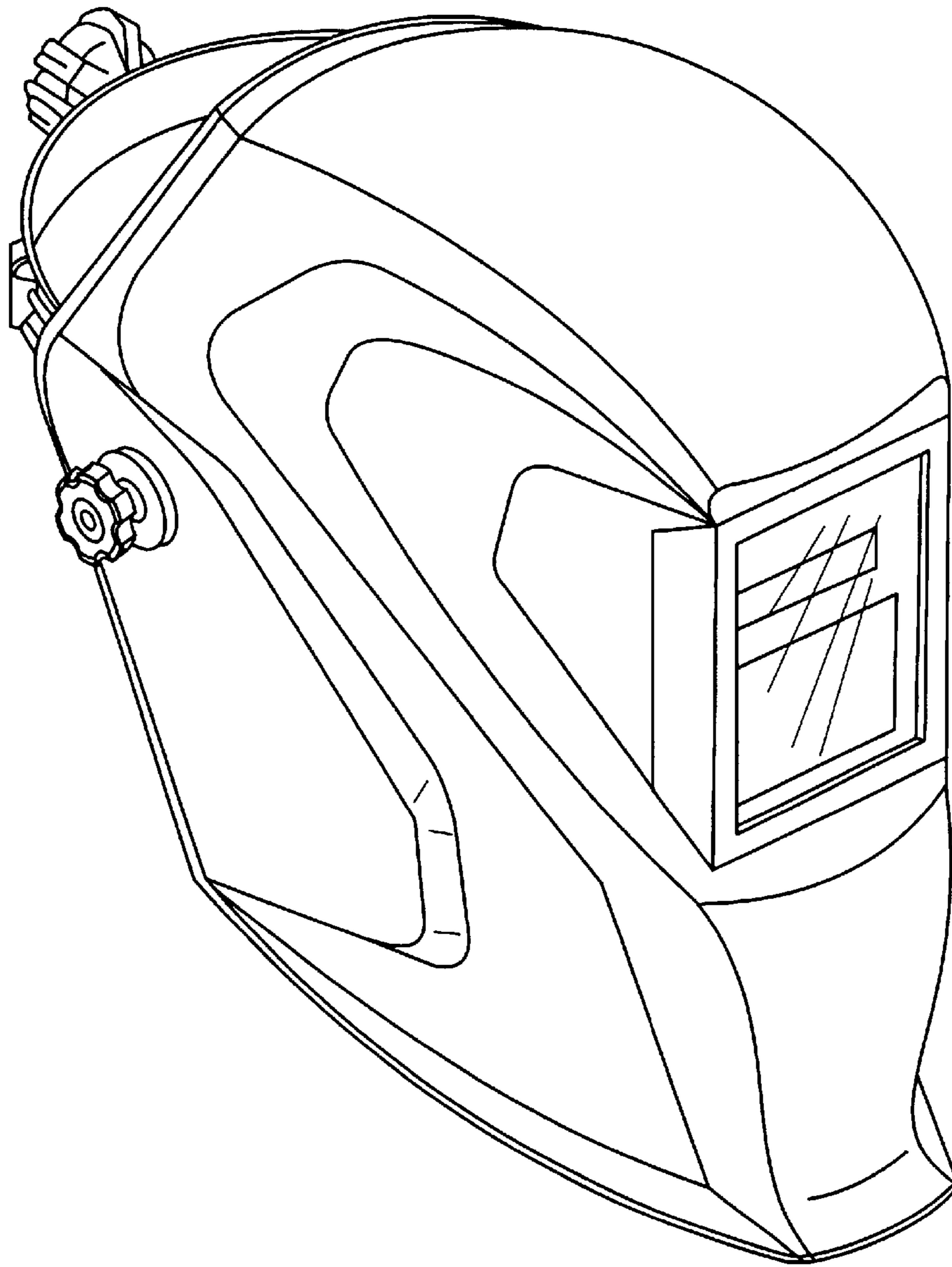


FIG. 1

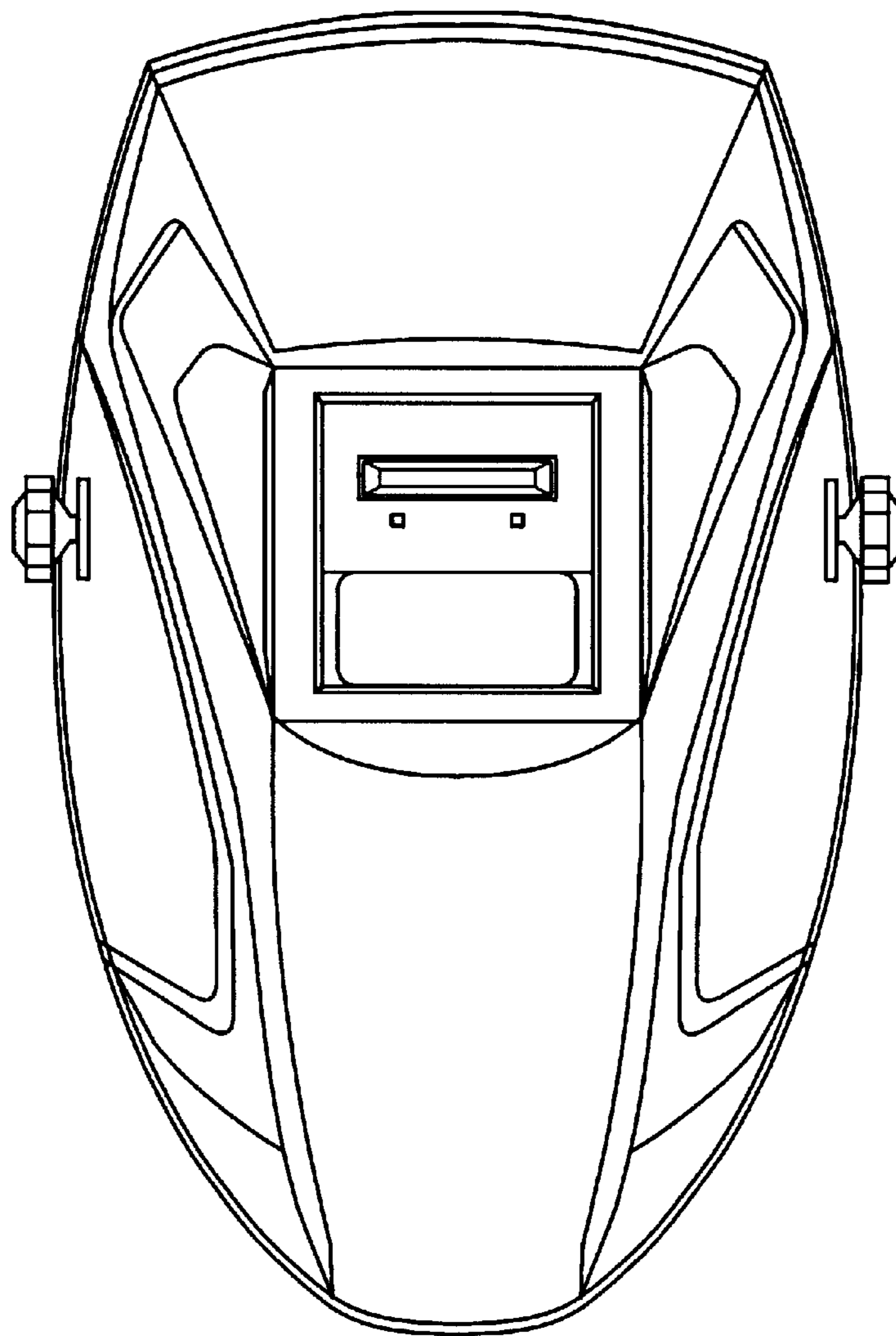


FIG. 2

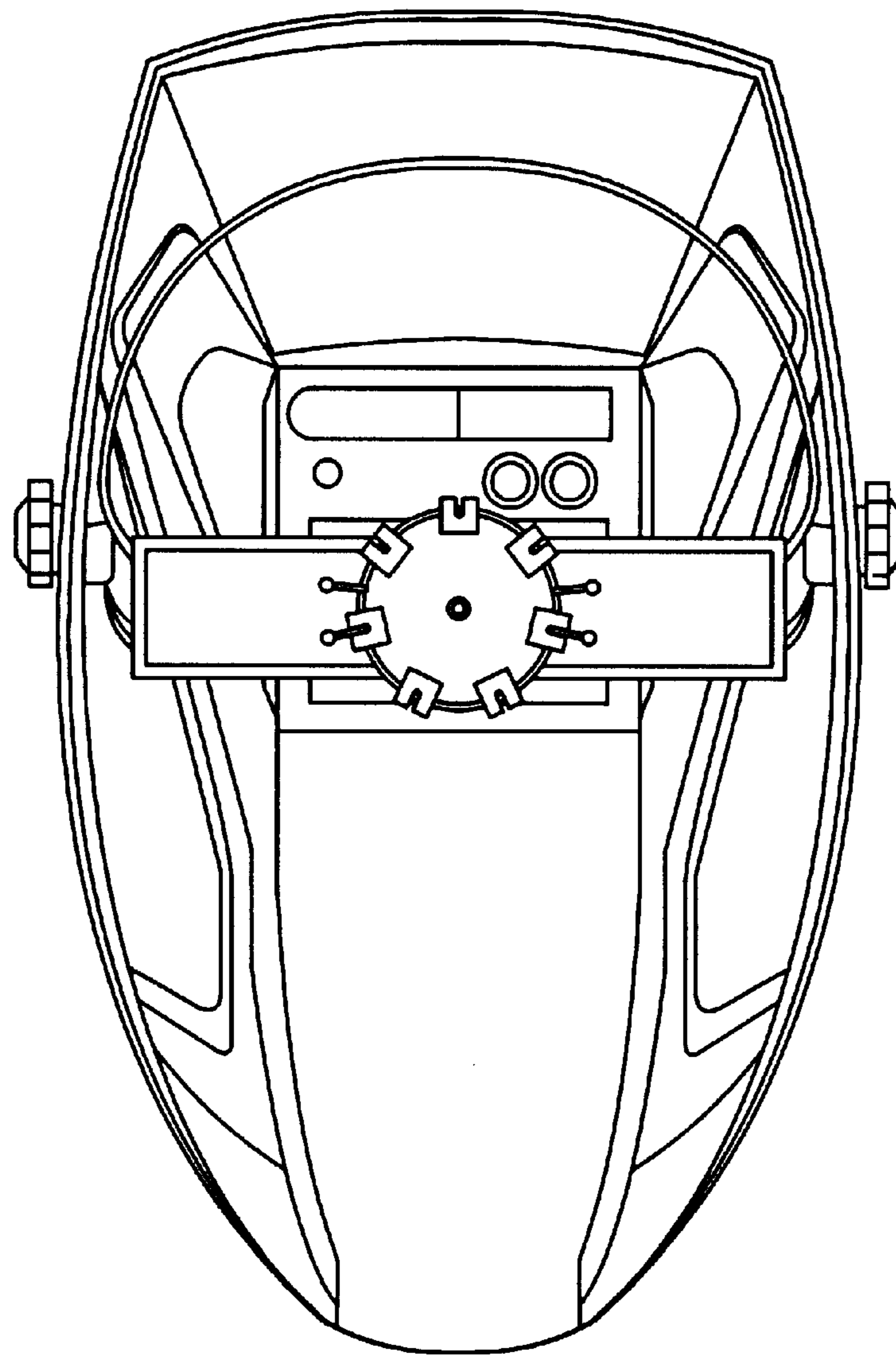


FIG. 3

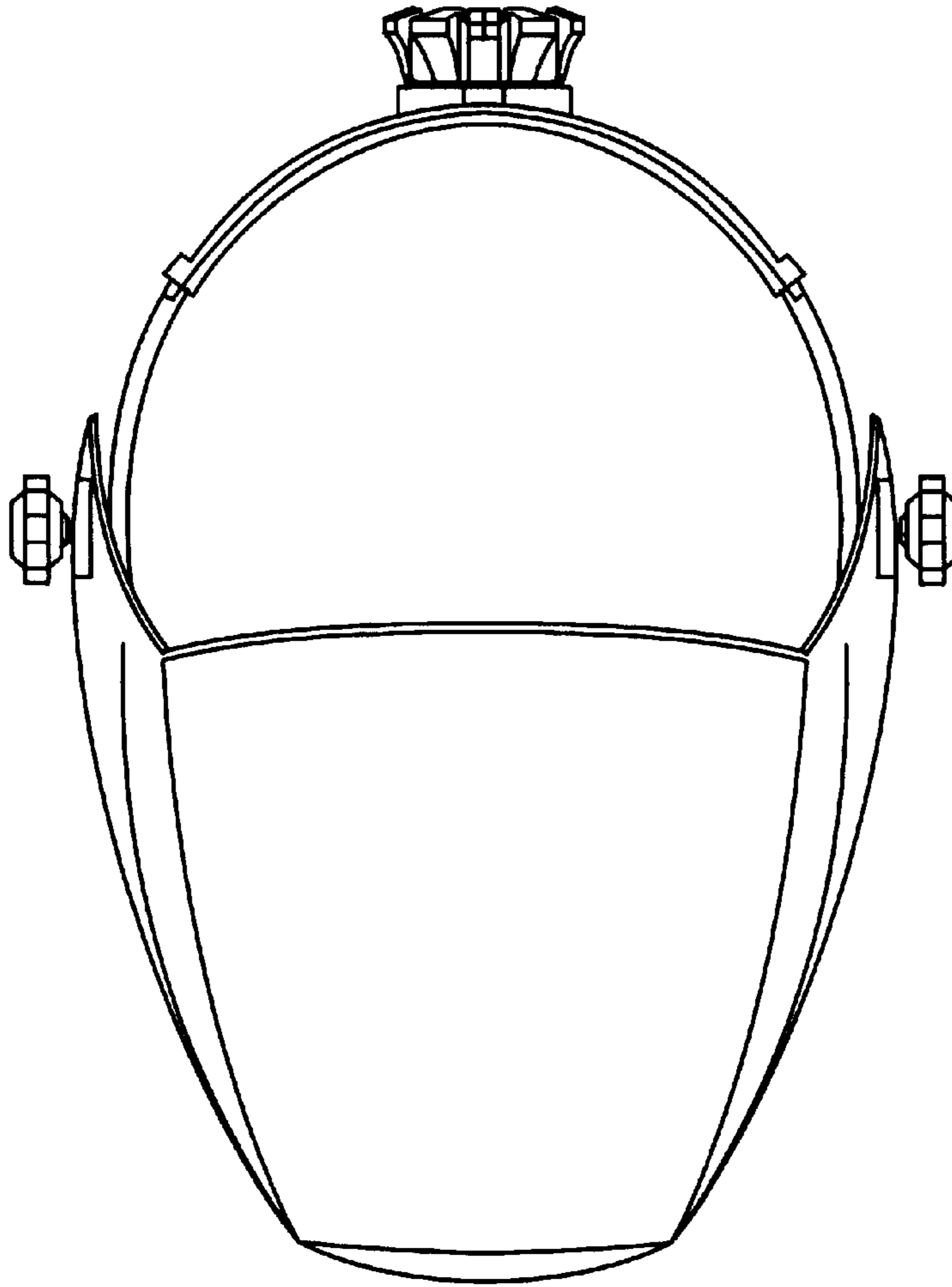


FIG. 4

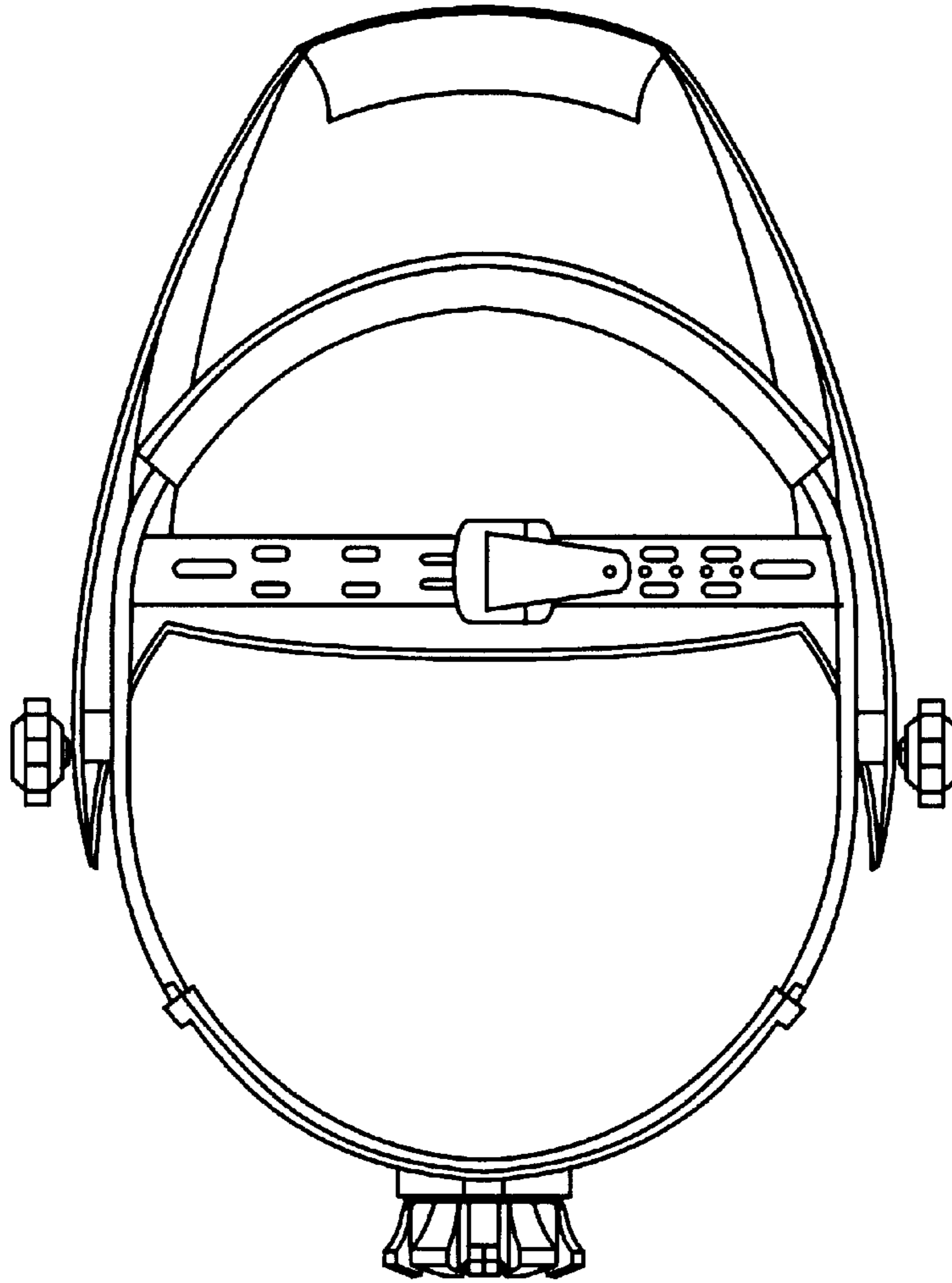


FIG. 5

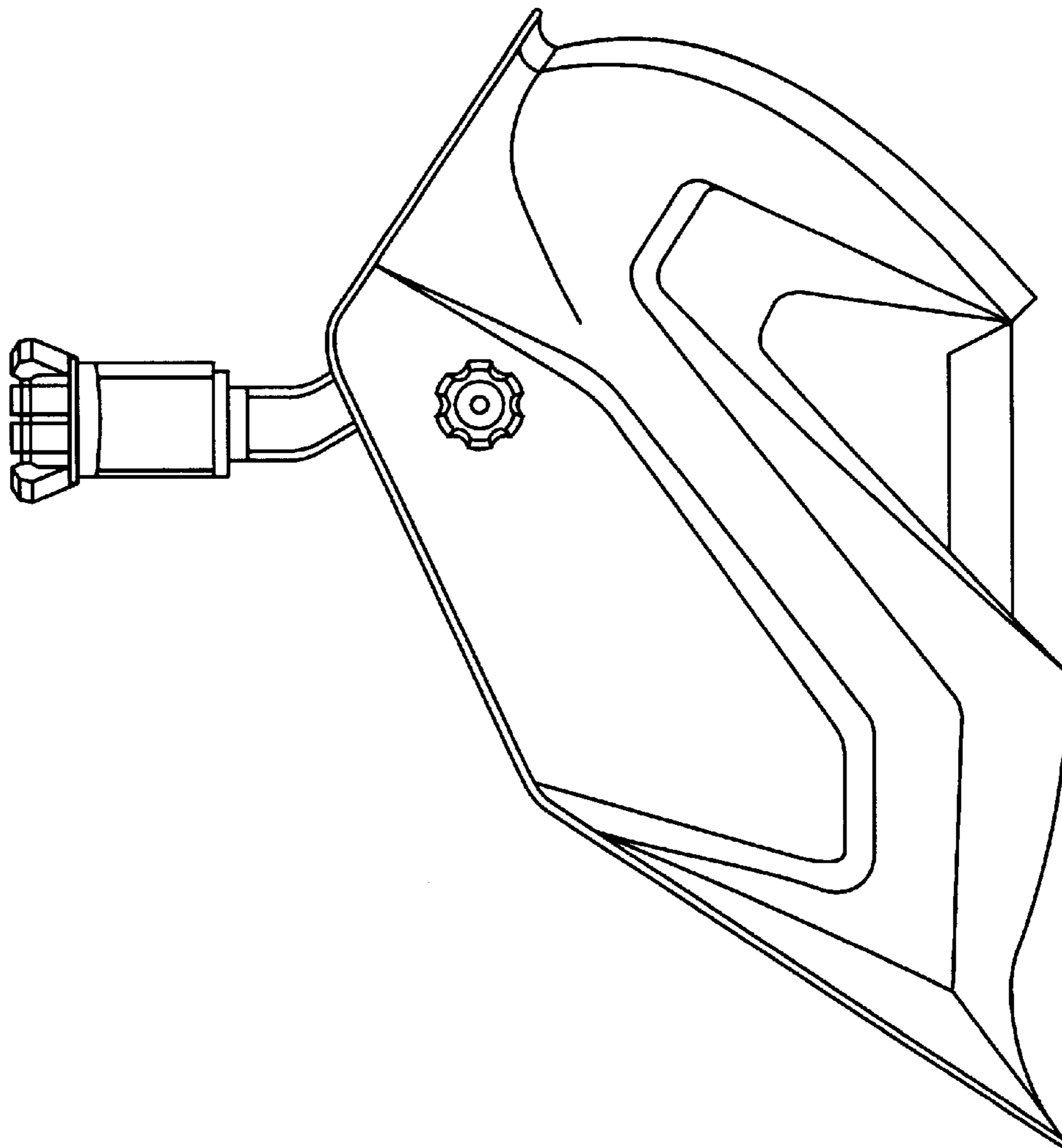


FIG. 6