



US00D527848S

(12) **United States Design Patent**  
**Manzo et al.**

(10) **Patent No.:** **US D527,848 S**

(45) **Date of Patent:** **\*\* Sep. 5, 2006**

(54) **MOUTHGUARD**

(75) Inventors: **Joseph S. Manzo**, Lansdale, PA (US);  
**Edward M. Bachurski**, Radnor, PA (US)

(73) Assignee: **WIPSS Products, Inc.**, Conshohocken, PA (US)

(\*\*) **Term:** **14 Years**

(21) **Appl. No.:** **29/202,198**

(22) **Filed:** **Mar. 26, 2004**

(51) **LOC (8) Cl.** ..... **29-02**

(52) **U.S. Cl.** ..... **D29/108**

(58) **Field of Classification Search** ..... D29/108,  
D29/122; D24/176, 180-181; 2/455, 9, 424-425;  
128/859, 848, 861-862; 602/902; 433/6  
See application file for complete search history.

(56) **References Cited**

**U.S. PATENT DOCUMENTS**

1,674,336 A	6/1928	King	
2,521,039 A	9/1950	Carpenter	
2,590,118 A	3/1952	Oddo, Jr.	
2,966,908 A	1/1961	Cathcart et al.	
3,312,218 A	* 4/1967	Jacobs	128/862
3,457,916 A	* 7/1969	Wolicki	128/862
D215,685 S	10/1969	Helmer	
D228,048 S	* 8/1973	Miller	D29/108
4,765,324 A	* 8/1988	Lake, Jr.	128/861
4,791,941 A	12/1988	Schaefer	
4,944,947 A	7/1990	Newman	

4,977,905 A	* 12/1990	Kittelsen et al.	128/861
5,092,346 A	3/1992	Hays et al.	
5,117,816 A	6/1992	Shapiro et al.	
5,277,202 A	1/1994	Hays	
5,636,379 A	6/1997	Williams	
D382,965 S	* 8/1997	Wagner	D29/108
D406,405 S	* 3/1999	Yoshida	D29/108
D434,501 S	11/2000	Redhage	
D452,011 S	12/2001	Redhage	
D473,976 S	* 4/2003	Wilkens	D29/108
D493,578 S	* 7/2004	Manzo et al.	D29/108
D500,895 S	* 1/2005	Manzo et al.	D29/108
D504,744 S	* 5/2005	Hidalgo et al.	D29/108
D509,028 S	* 8/2005	Farrell	D29/108

\* cited by examiner

*Primary Examiner*—Ruth McInroy

(74) *Attorney, Agent, or Firm*—John F. Letchford; Archer & Greiner, P.C.

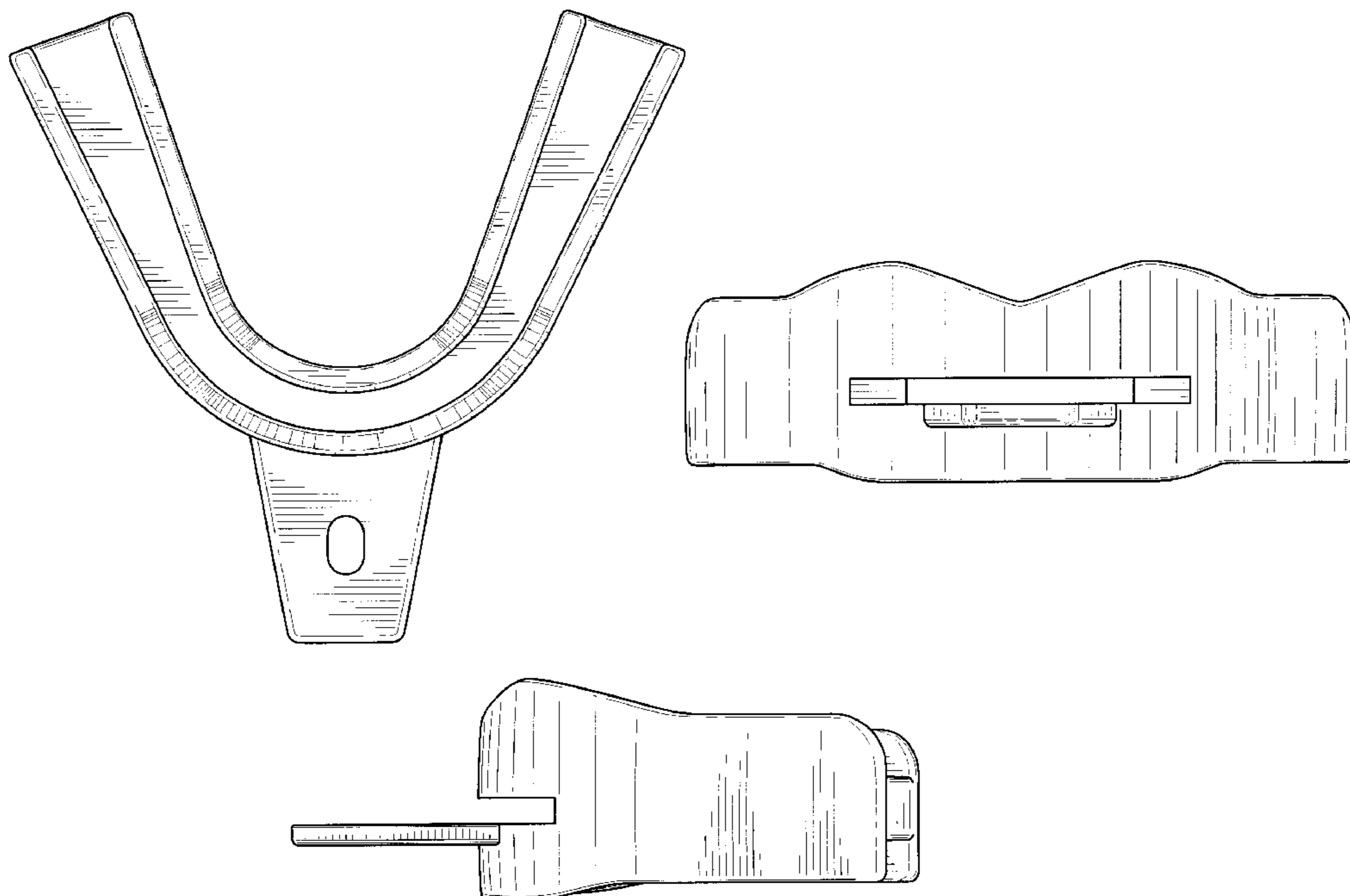
(57) **CLAIM**

We claim the ornamental design for a mouthguard, as shown and described.

**DESCRIPTION**

FIG. 1 is a top plan view of a mouthguard showing our new design;  
FIG. 2 is a bottom plan view thereof;  
FIG. 3 is a front elevational view thereof;  
FIG. 4 is a rear elevational view thereof; and,  
FIG. 5 is a left side elevational view thereof, the right side being a mirror image.

**1 Claim, 3 Drawing Sheets**



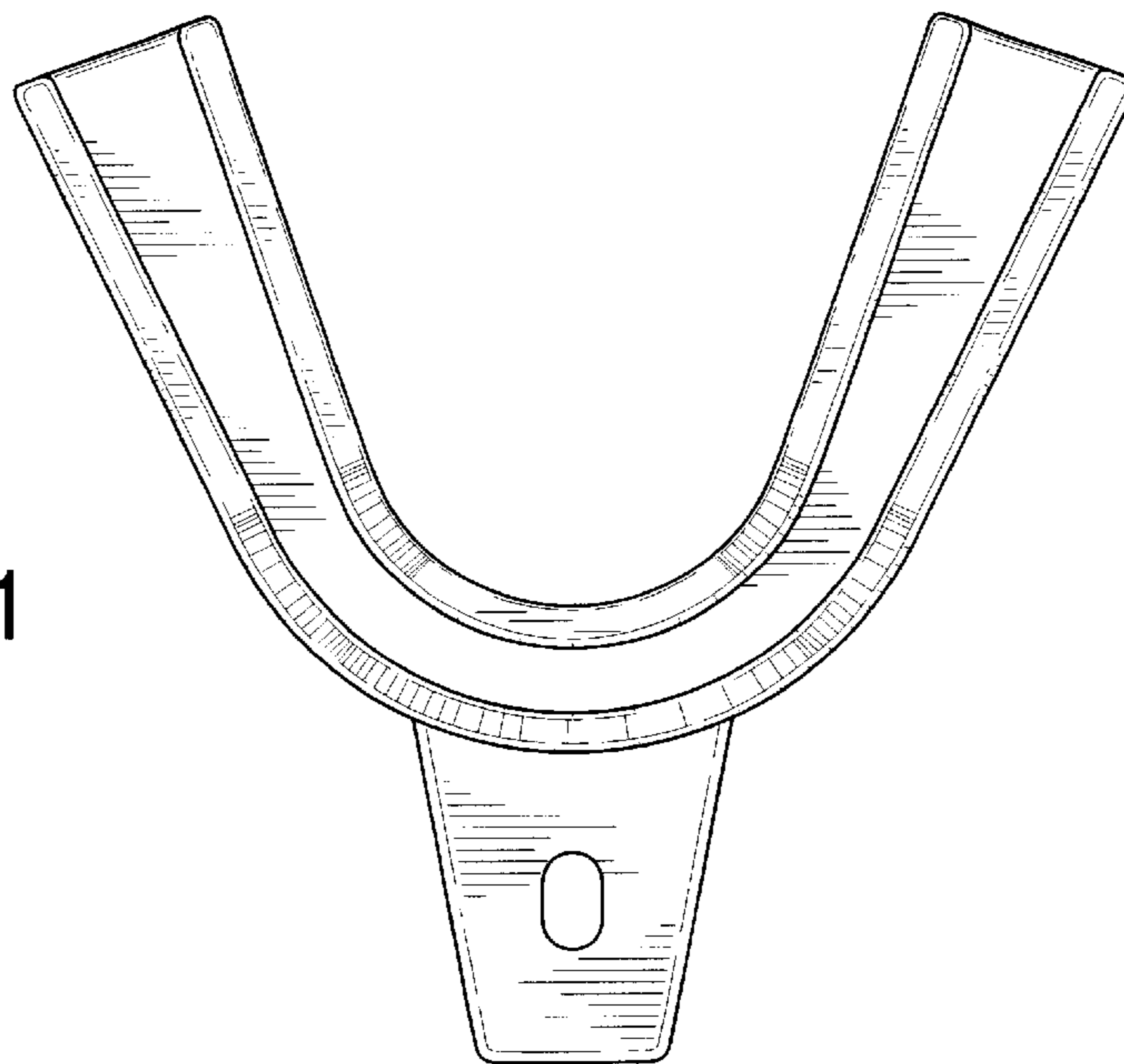


FIG. 1

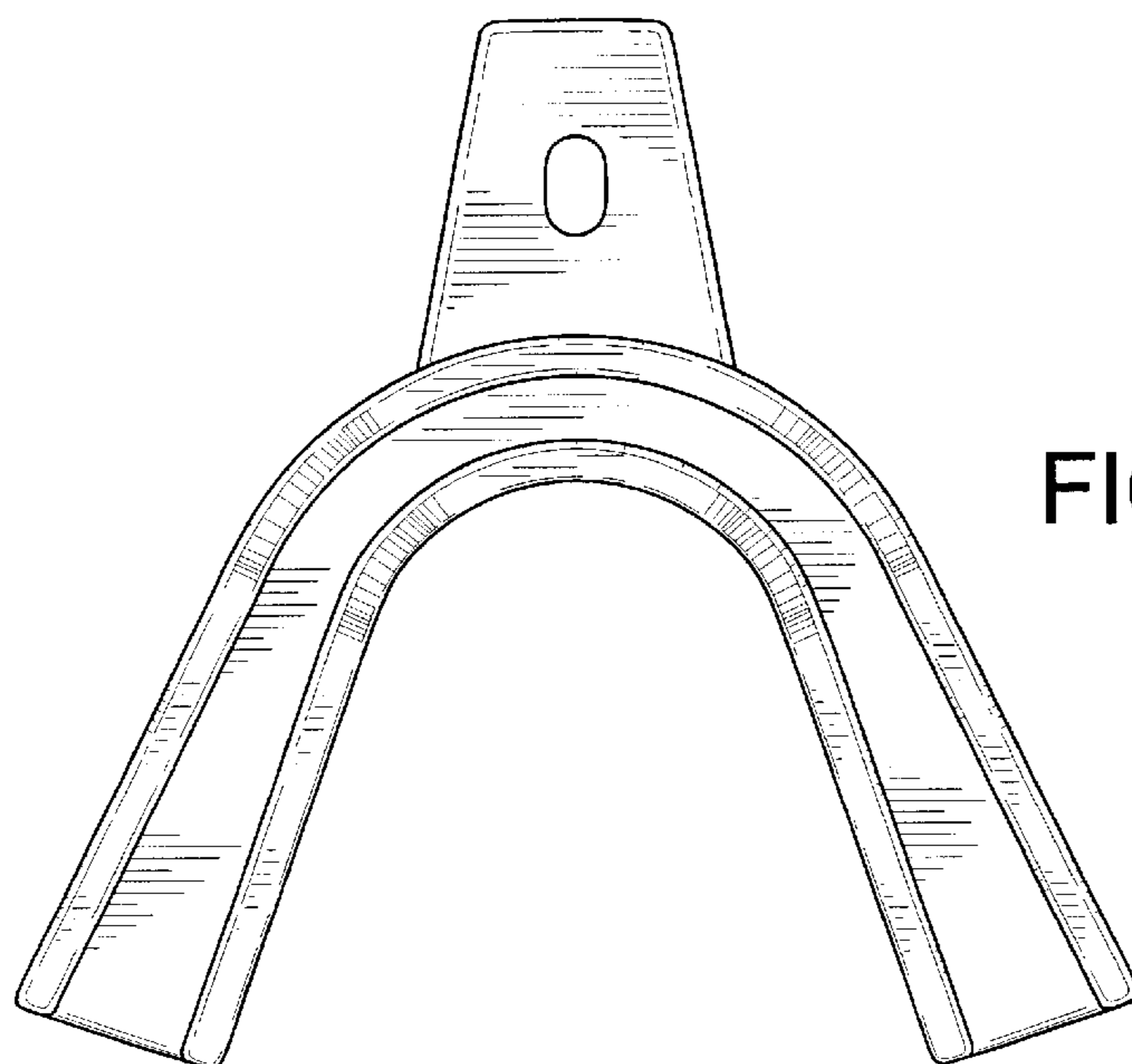


FIG. 2

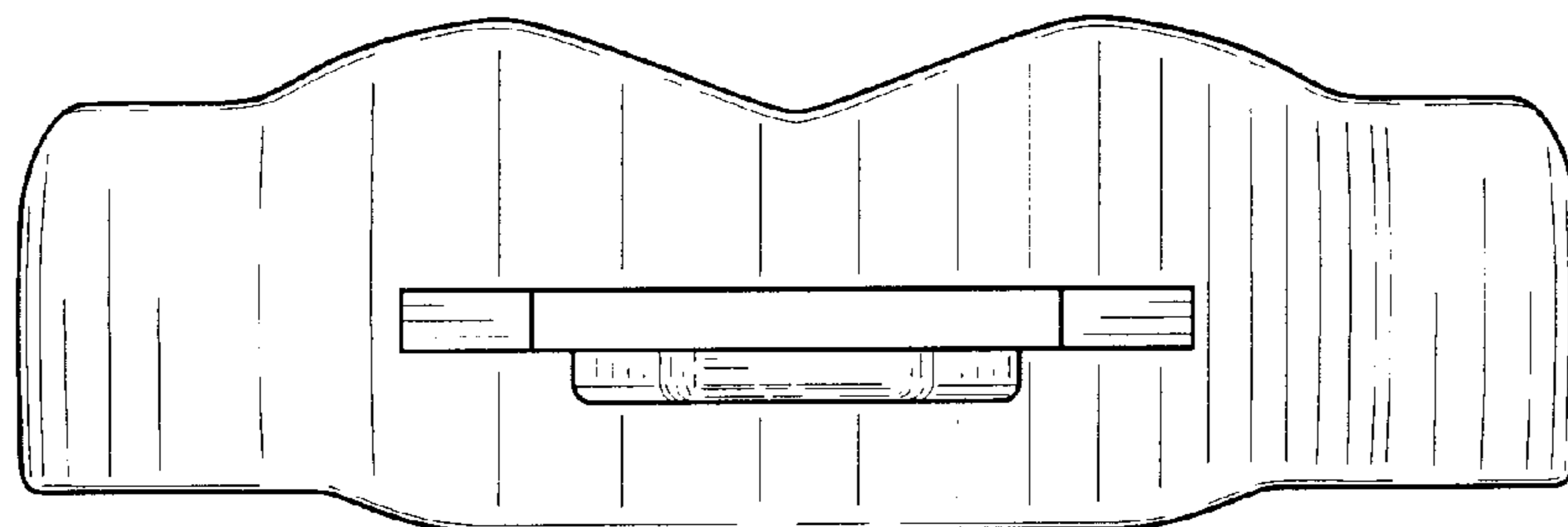


FIG. 3

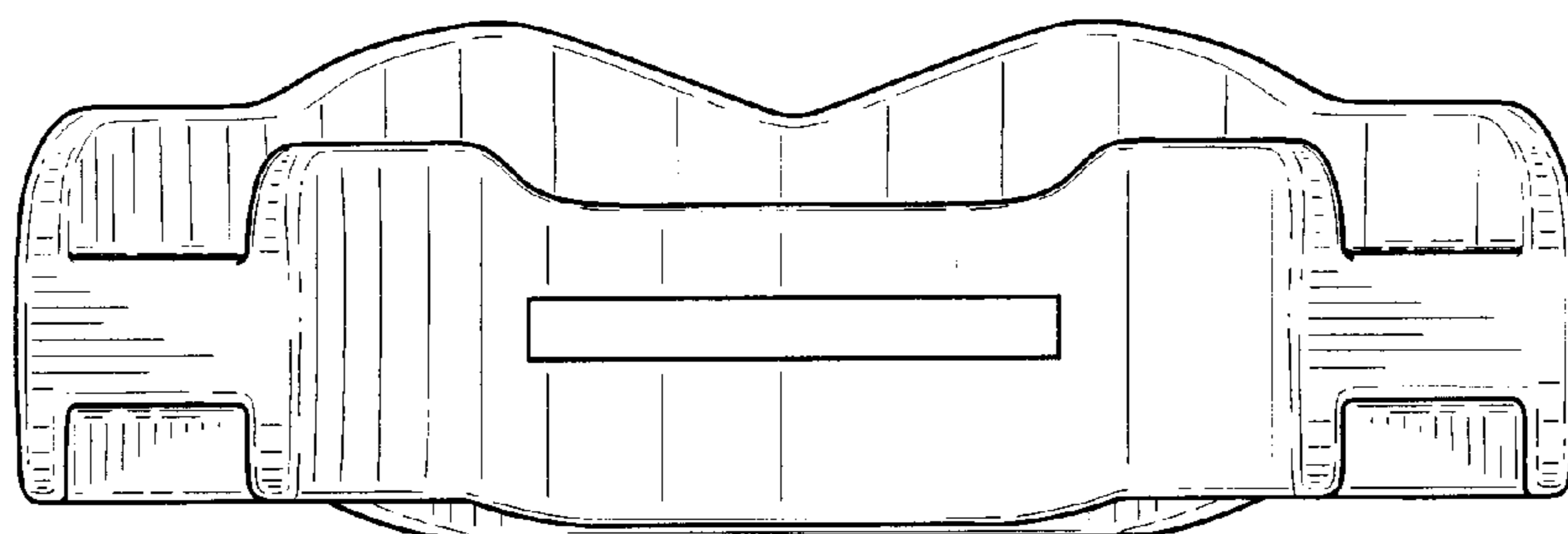


FIG. 4

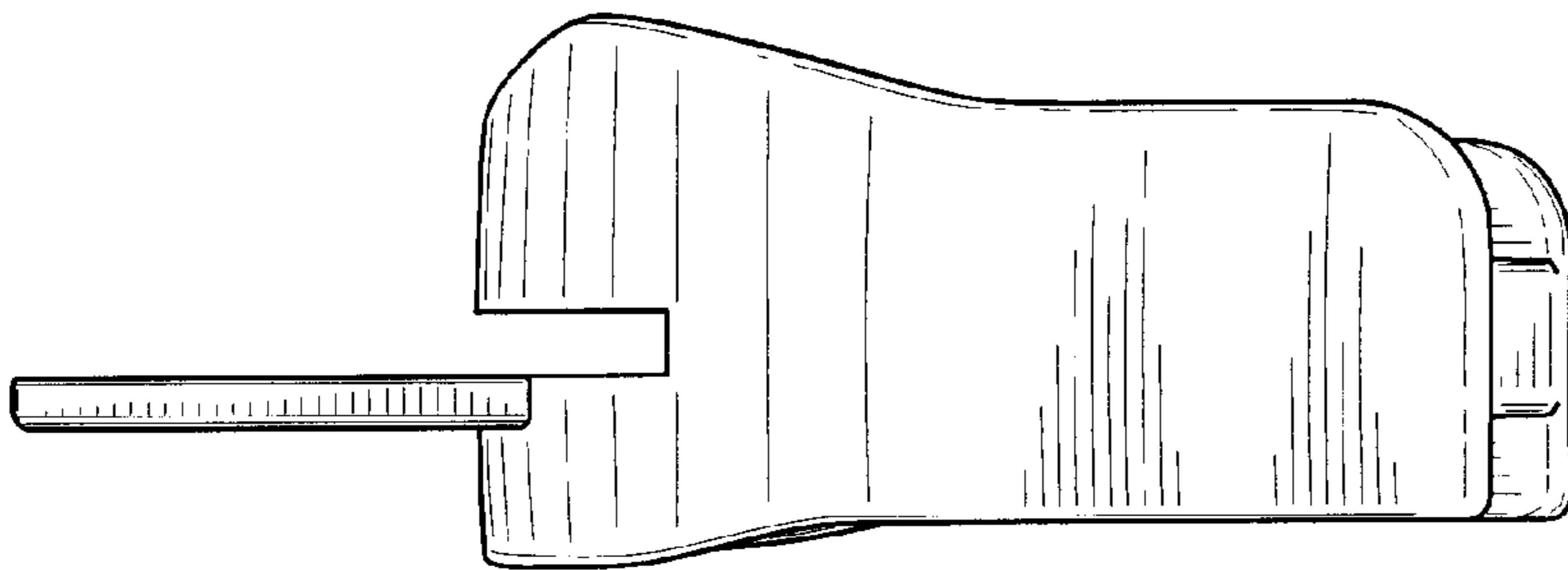


FIG. 5