



US00D527840S

(12) **United States Design Patent**
Sooferian

(10) **Patent No.:** **US D527,840 S**

(45) **Date of Patent:** **** Sep. 5, 2006**

(54) **WILLIAMSBURG LAMP**

(76) Inventor: **Danny H. Sooferian**, 425-I Consitution Ave., Camarillo, CA (US) 93012

(**) Term: **14 Years**

(21) Appl. No.: **29/191,732**

(22) Filed: **Oct. 10, 2003**

(51) **LOC (8) Cl.** **26-05**

(52) **U.S. Cl.** **D26/68**

(58) **Field of Classification Search** D26/67-71,
D26/85; 362/153, 153.1, 183-185, 362, 363,
362/431, 805

See application file for complete search history.

(56) **References Cited**

U.S. PATENT DOCUMENTS

D119,821 S	*	4/1940	Sheerer	D26/67
D423,131 S	*	4/2000	Giese et al.	D26/68
D423,708 S	*	4/2000	Giese et al.	D26/68
D456,936 S	*	5/2002	Hsu	D26/87
D470,261 S	*	2/2003	Dolan	D26/67
D476,768 S	*	7/2003	Sooferian	D26/67
D484,631 S	*	12/2003	Chen	D26/67

D487,526 S	*	3/2004	Hsu	D26/67
D495,444 S	*	8/2004	Lam	D26/67
D500,158 S	*	12/2004	Chen	D26/67
D505,216 S	*	5/2005	Chen	D26/40

OTHER PUBLICATIONS

Solar Garden Lamp from Ningbo Hangshun Electrical Co., Ltd. Found online at hangshun.en.alibaba.com on Aug. 25, 2005.*

* cited by examiner

Primary Examiner—Clare E Heflin

(74) *Attorney, Agent, or Firm*—Colin P. Abrahams

(57) **CLAIM**

The ornamental design for a Williamsburg lamp, as shown.

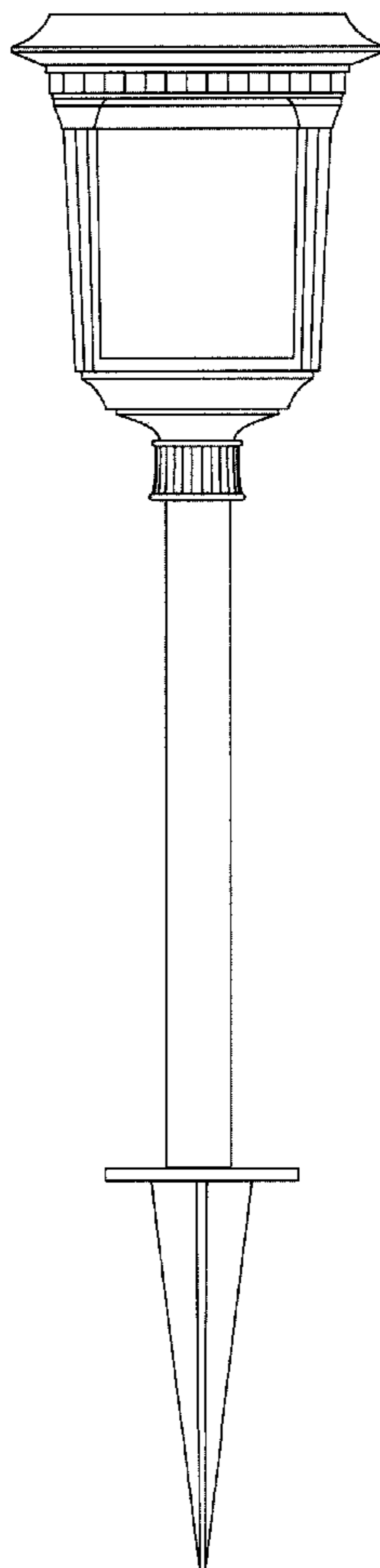
DESCRIPTION

FIG. 1 is a front view of the Williamsburg lamp of my new design;

FIG. 2 is top view of the Williamsburg lamp shown in FIG. 1 of the drawings; and,

FIG. 3 is a bottom view of the Williamsburg lamp shown in FIG. 1 of the drawings.

1 Claim, 1 Drawing Sheet



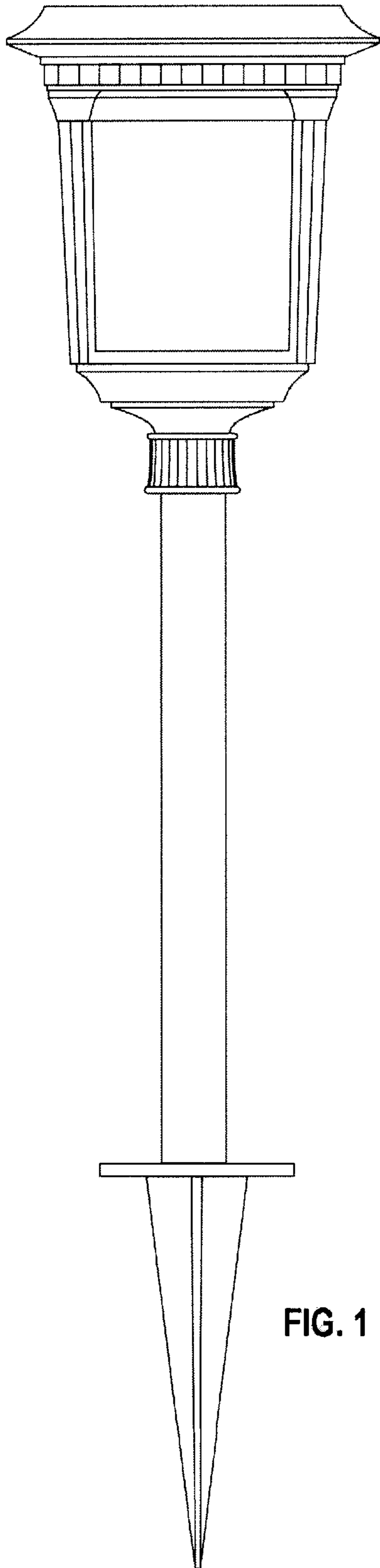


FIG. 1

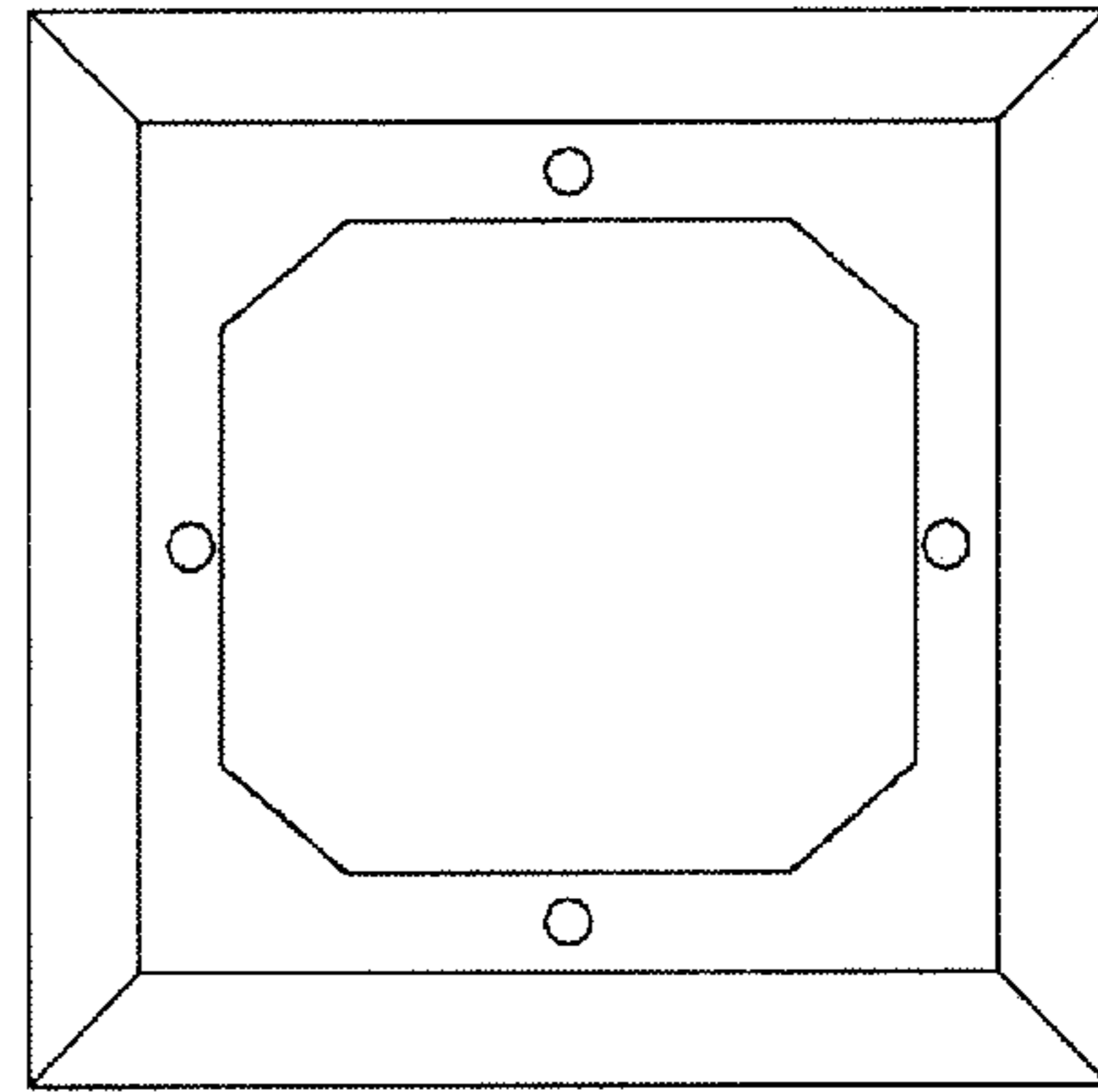


FIG. 2

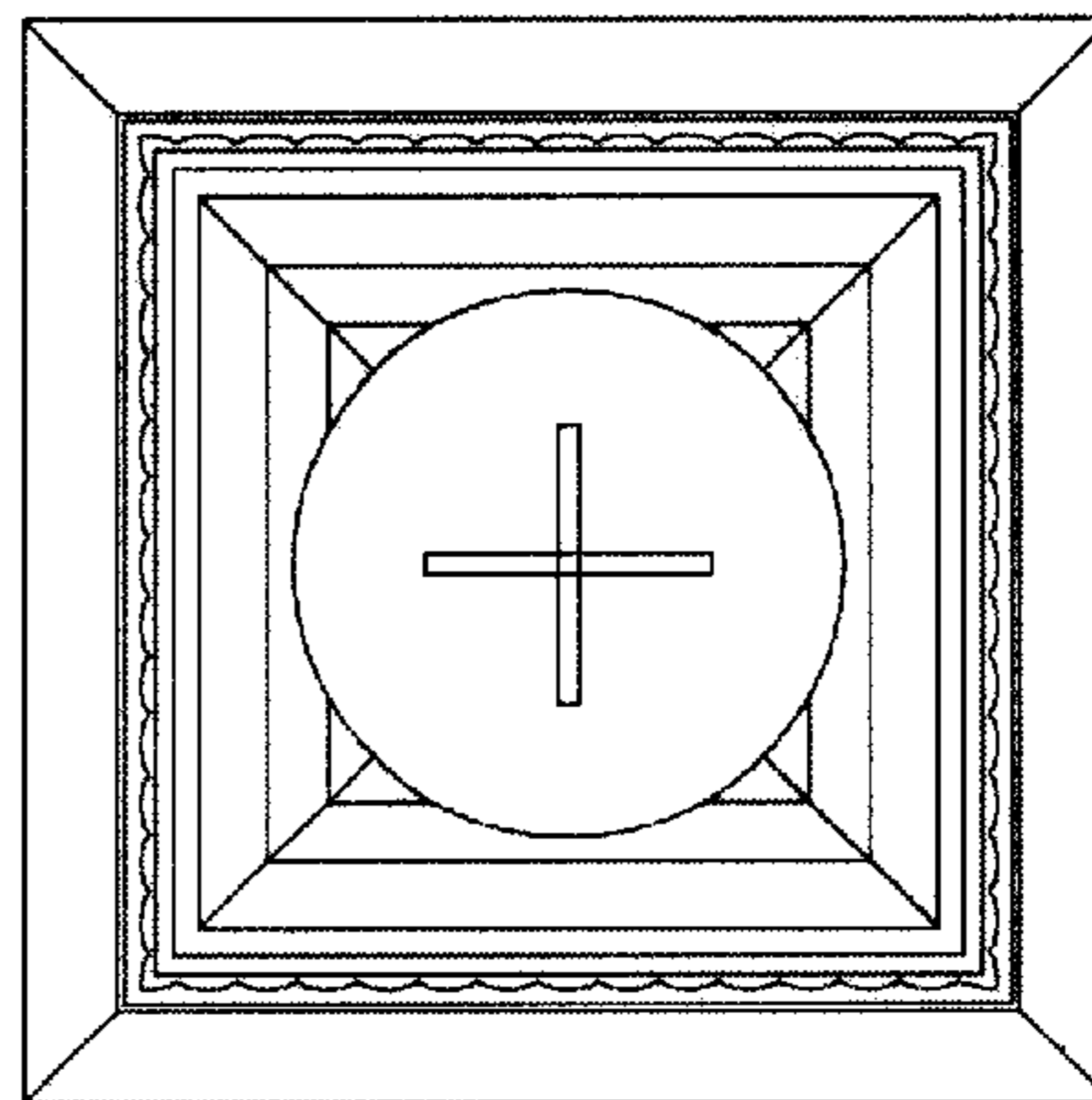


FIG. 3