

US00D527836S

(12) **United States Design Patent**  
**O'Hagin**

(10) **Patent No.:** **US D527,836 S**

(45) **Date of Patent:** **\*\* Sep. 5, 2006**

(54) **COMPOSITION VENT**

D469,889 S \* 2/2003 O'Hagin ..... D25/199  
D479,885 S \* 9/2003 O'Hagin et al. .... D25/143  
6,793,574 B1 \* 9/2004 Robinson ..... 454/365

(76) Inventor: **Harry T. O'Hagin**, 119/15 Moo 3  
Bann KHO, Panakurn Sri, Ayutthaya  
(TH), 13000

\* cited by examiner

(\*\*) Term: **14 Years**

*Primary Examiner*—Doris Clark  
(74) *Attorney, Agent, or Firm*—Knobbe Martens Olson &  
Bear LLP

(21) Appl. No.: **29/206,222**

(22) Filed: **May 25, 2004**

(57) **CLAIM**

(51) **LOC (8) Cl.** ..... **25-01**

The ornamental design for a composition vent, as shown and described.

(52) **U.S. Cl.** ..... **D25/199; D25/139**

(58) **Field of Classification Search** ..... D25/199,  
D25/139; 52/302.1, 302.6, 302.7, 302.3,  
52/198, 199, 473

**DESCRIPTION**

See application file for complete search history.

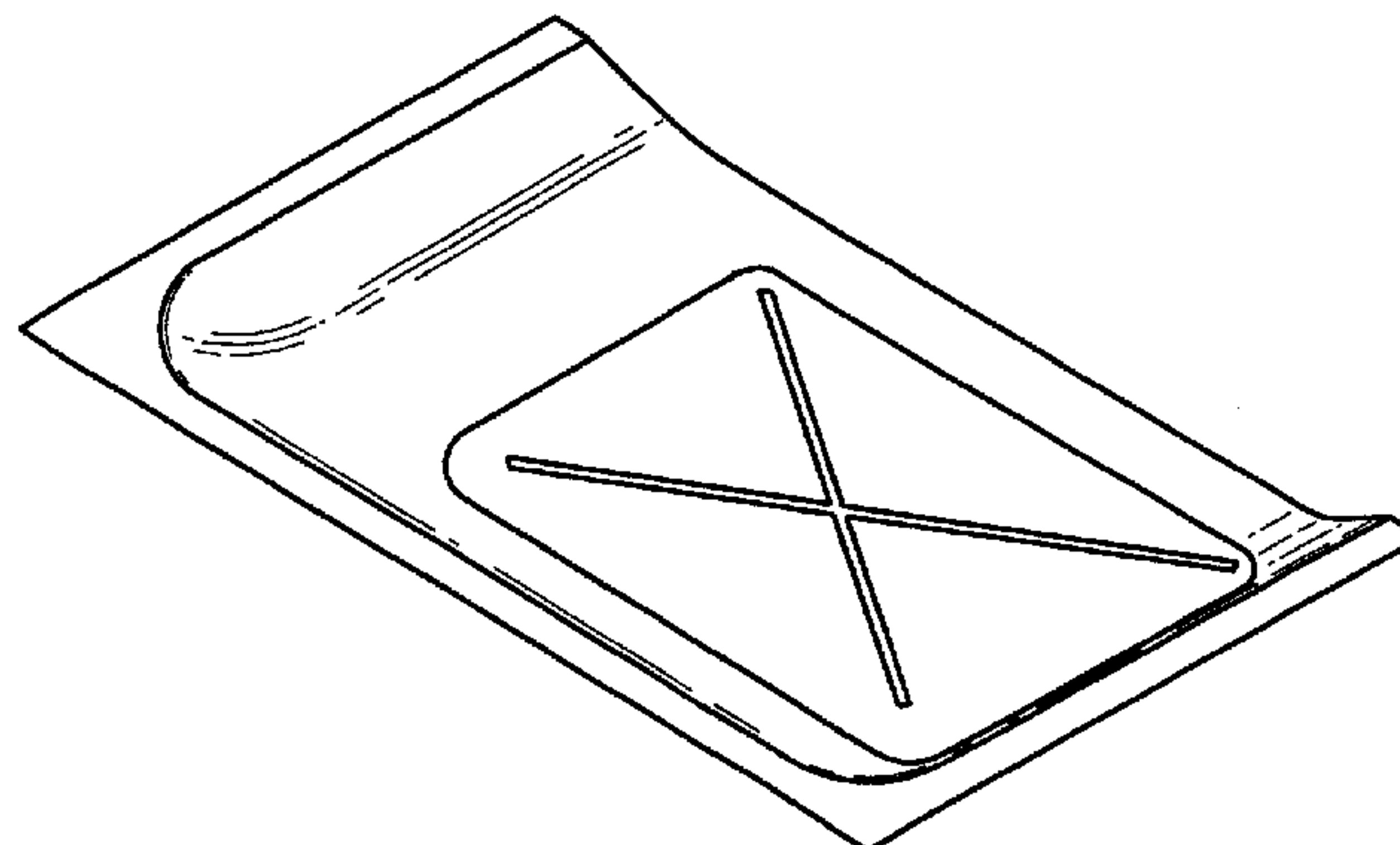
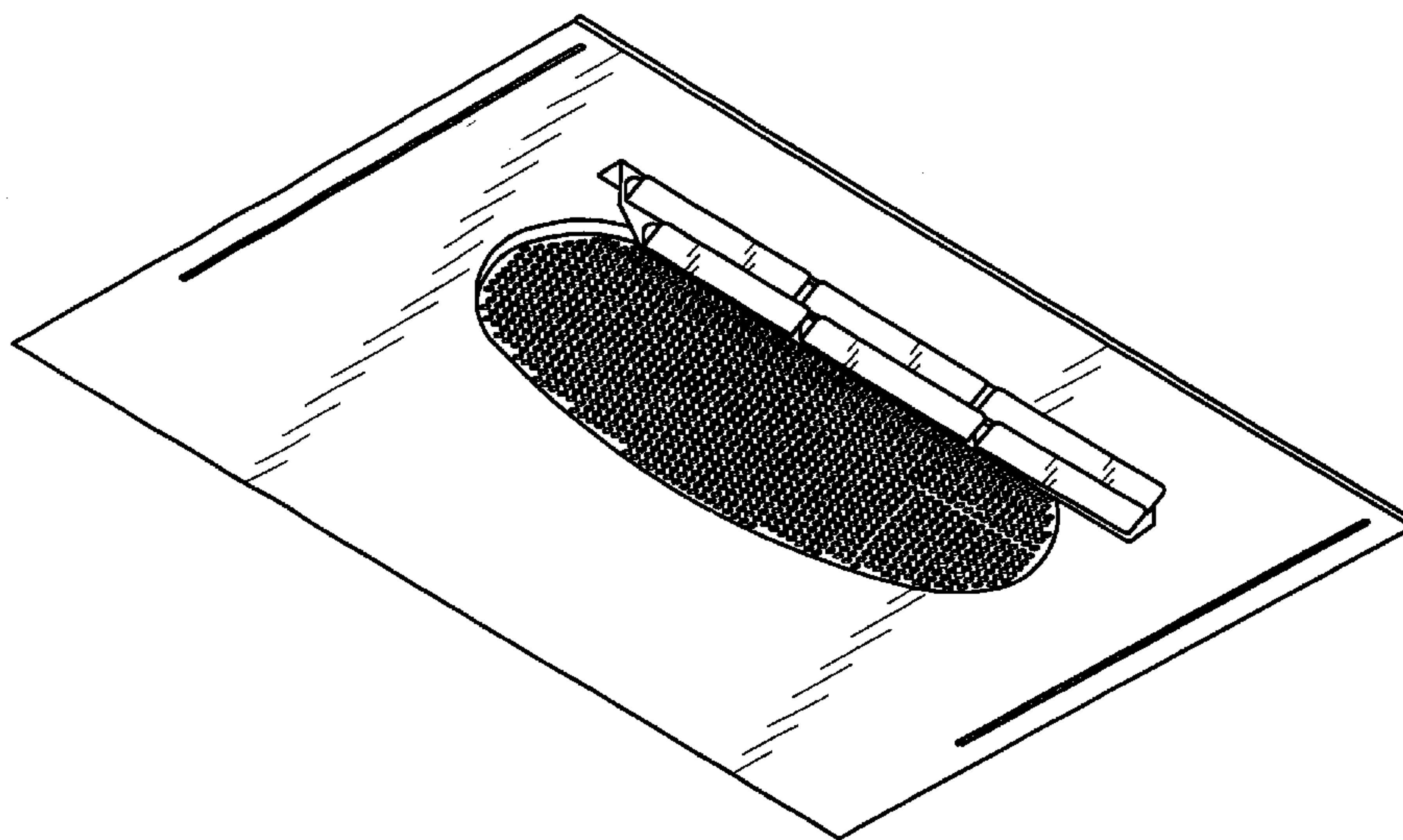
FIG. 1 is an exploded view of a composition vent showing our new design;  
FIG. 2 is a top assembled view thereof;  
FIG. 3 is a bottom view of the bottom panel thereof;  
FIG. 4 is a top view of the bottom panel thereof;  
FIG. 5 is a side view thereof; and,  
FIG. 6 is an end view thereof.

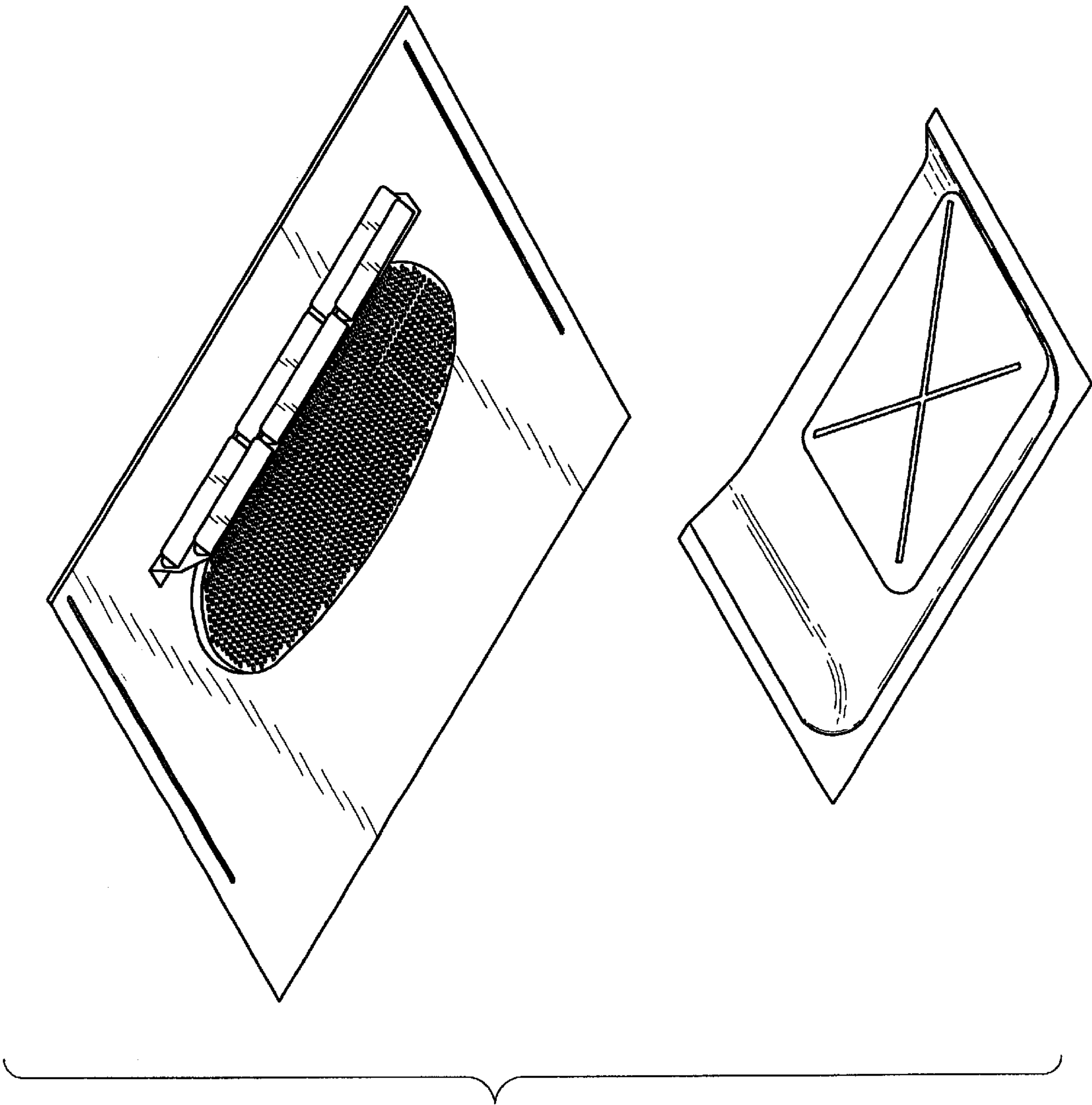
(56) **References Cited**

**U.S. PATENT DOCUMENTS**

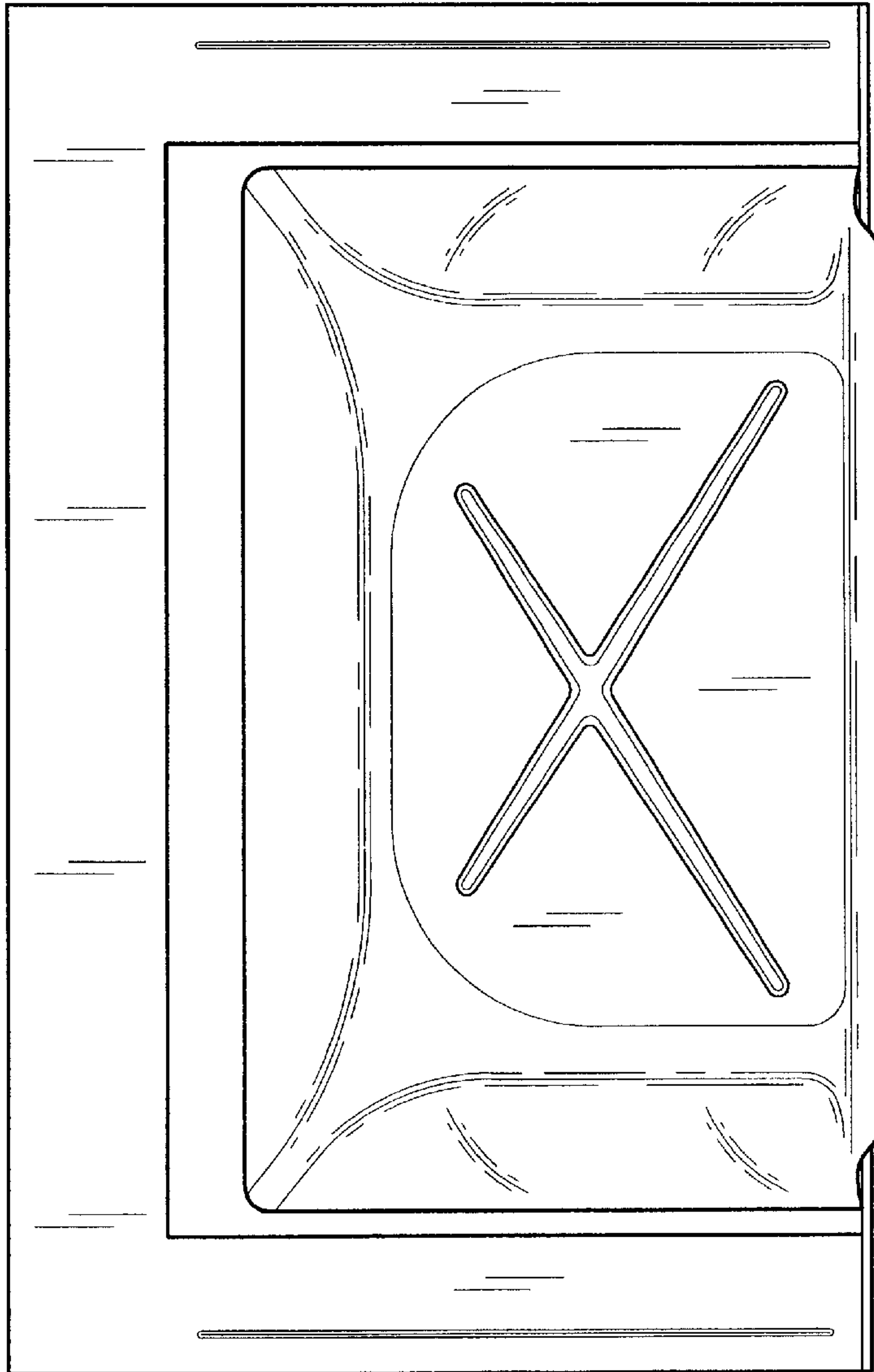
5,832,667 A \* 11/1998 Buening et al. .... 49/212  
6,447,390 B1 9/2002 O'Hagin  
6,491,579 B1 12/2002 O'Hagin

**1 Claim, 6 Drawing Sheets**

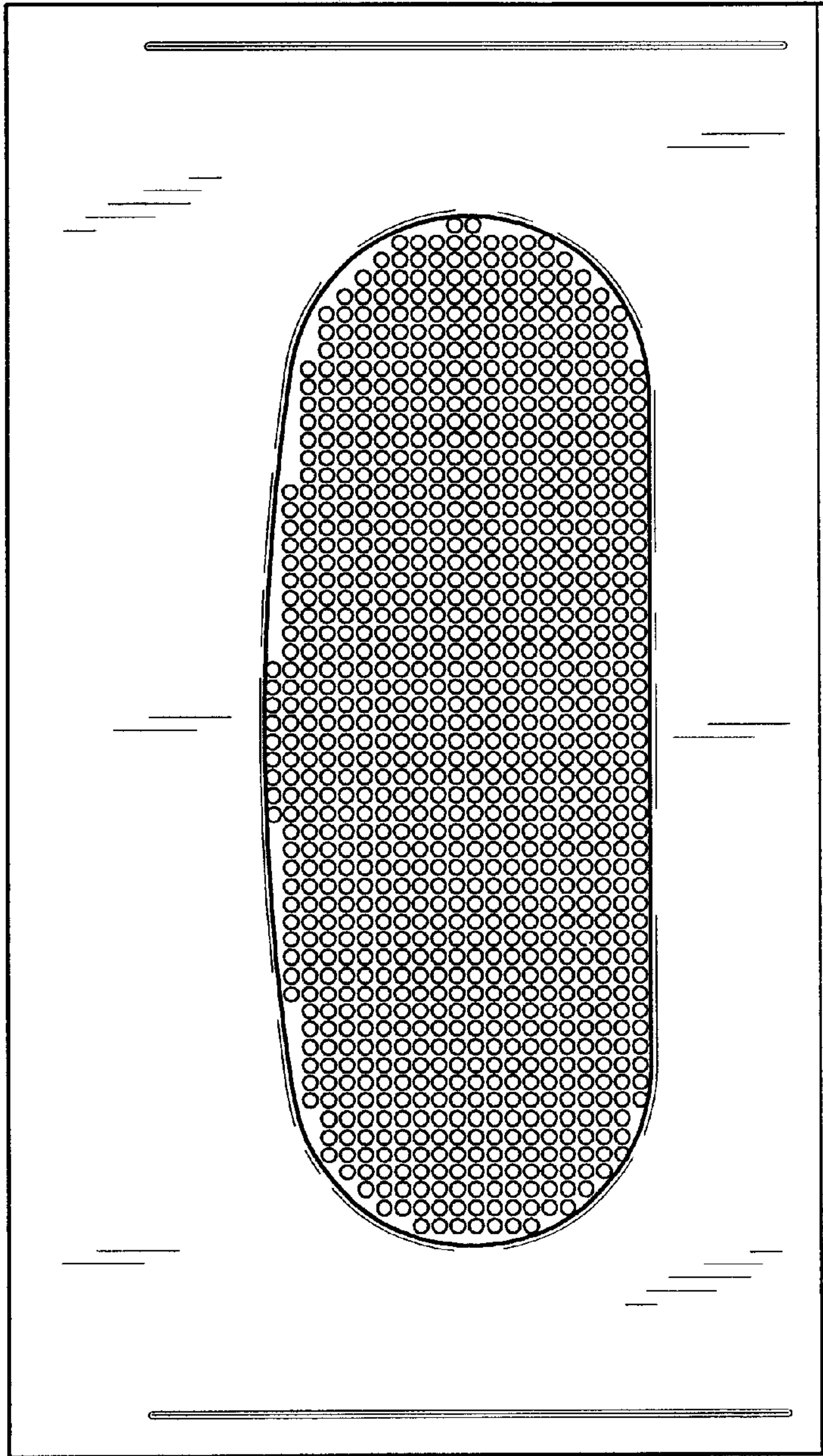




*FIG. 1*

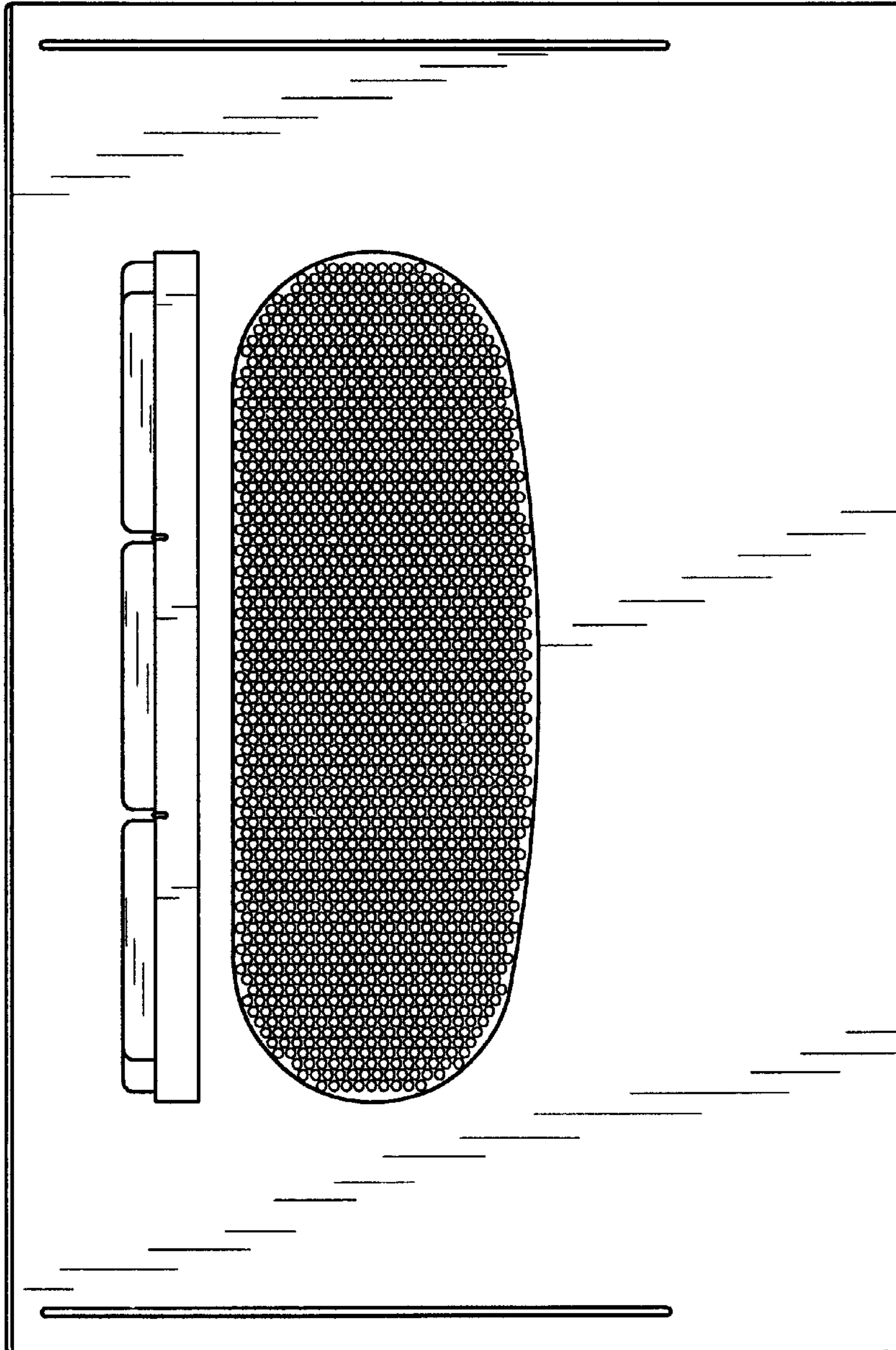


*FIG. 2*

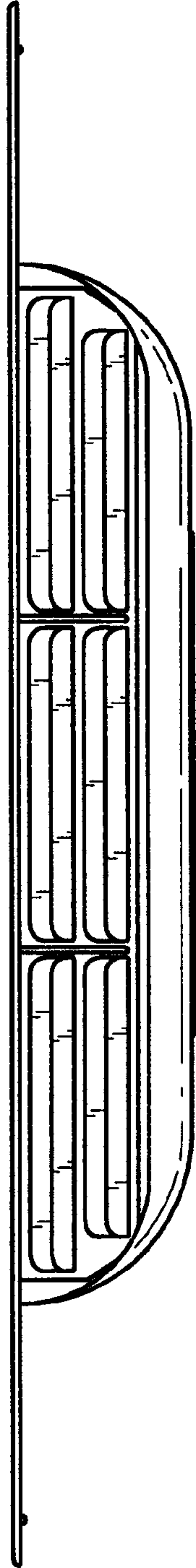


*FIG. 3*

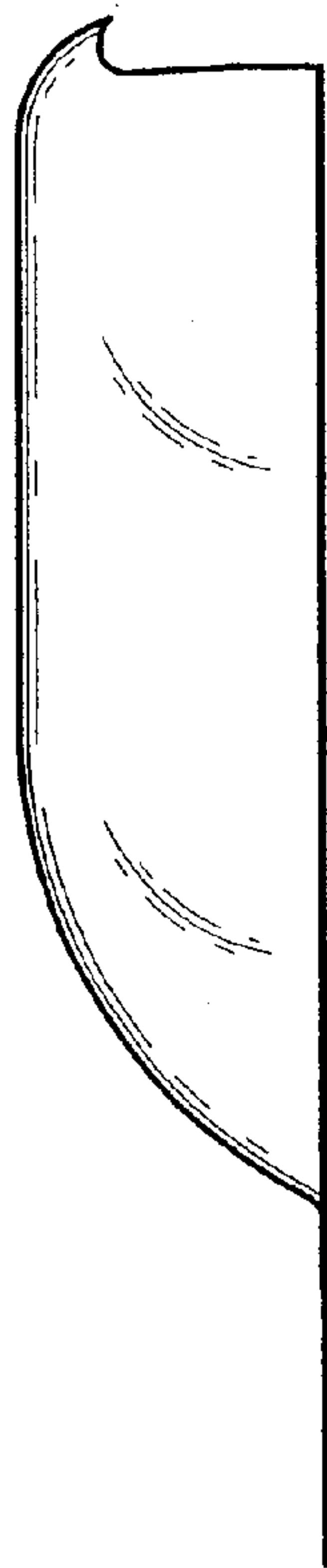




*FIG. 4*



*FIG. 5*



*FIG. 6*